

Parts Section



VT* & VS
500 • 605 • 650 • 800
Range of Twin Engine
& Hydrostatic Sweepers
From Manufacture
Sequence No. 07/2057

* With Stage 3a/Tier 3 Auxiliary Engines

Part No 02617-4-P

Revision Level 09

Page Issue Levels	P
Body/Cowl/Rear Door	20
Subframe/Body Prop	21
Powapak	22
Systems Locker	23
Channel Brush	24
Nozzle	25
Wide Sweep Brush	26
Wanderhose/Littasnatch	27
Hydraulics	28
Pneumatics	29
Water System	30
Electrical System	31
Cab Controls	32
Chassis Application	33
Miscellaneous	34
Optional Equipment	35

Foreword

This section of the manual will help you when ordering parts and serves as an assembly/disassembly reference when used in conjunction with the Maintenance Section procedures.

About this section

Chapters 20 to 34, listed on the front sheet, cover the major areas of the machine. Some of the more popular options such as the Supawash hi-pressure water system, Channel Brush Rotatilt, Powaboom and Littasnatch wanderhoses are also covered in these chapters. Other more specialised options will be found in the Optional Equipment Chapter 35.

The Table of Contents on page 1 of each chapter locates the exact page a particular illustration or parts list is on. Parts that have been superseded and are not interchangeable with the new items are shown in a 'Superseded Parts' section at the end of the chapter.

The BoM numbers above the parts lists are for Johnston internal reference only.

On pages that have more than one part number column, the symbol '<' indicates that the number in that column is the same as that in the column on the left.

The symbol '>' in front of an item number indicates that item has changed from the one shown on the previous issue of that page.

Chassis Related Parts

The items listed below vary depending on what chassis the Johnston sweeper equipment is mounted to. If any parts for these areas are required, contact the Johnston Parts Department quoting the machine serial number shown on the plate fitted to the subframe crossmember below the body rear door.

- Batteries and battery mounting
- Cab - Sweep control installations (Chapter 32)
- Cab - single and dual steer parts
- Body discharge interlock
- Rear mounted fuel tank
- Gutter and wide sweep brush water spraybar mountings (Chapters 24 and 26)
- Supawash hose reel and front bumper spraybar mountings (Chapter 30.SW)
- Rear underrun bumper
- Rear mudguards and mudflaps
- Subframe to chassis mounts
- Work lights (Chapter 31)
- Channel brush pivot frame support posts (Chapter 24)
- Channel brush hydraulic hoses 75 and 84 (Chapter 24)
- Wide sweep brush hydraulic hoses 70 to 74 (Chapter 26)
- Customer options i.e. autolube, special beacons, reversing camera, handwash etc.

CHAPTER

P

Page Issue Levels

Description

This chapter lists each page in the Parts section, it's issue level and whether it has changed since the previous revision level. Changed pages are indicated by the letter 'C' in the changed column, and new pages by the letter 'N'.

Page	Issue	Changed	Page	Issue	Changed
Front Sheet	09	C	Foreword 1	09	C

P Chapter - Page Issue Levels

Page	Issue	Changed	Page	Issue	Changed
P1	09	C	P2	09	C
P3	09	C	P4	09	C
P5	09	C	P6	09	C
P7	09	C	P8	09	C

20 Chapter - Body/Rear Door/Cowl

Page	Issue	Changed	Page	Issue	Changed
20:1	01		20:2	01	
20:3	05		20:4	04	
20:5	04		20:6	01	
20:7	01		20:8	01	
20:9	01		20:10	01	
20:11	06		20:12	01	
20:13	05		20:14	01	
20:15	01		20:16	01	
20:17	01		20:18	01	
20:19	01		20:20	03	
20:21	03		20:22	01	
20:23	01		20:24	09	C
20:25	01		20:26	01	

21 Chapter - Subframe/Body Prop

Page	Issue	Changed	Page	Issue	Changed
21:1	02		21:2	08	
21:3	08		21:4	08	
21:5	02		21:6	01	

22 Chapter - Powapak

Page	Issue	Changed	Page	Issue	Changed
22:1	07		22:2	05	
22.PA:1	05		22.PA:2	05	
22.PA:3	05		22.PA:4	05	
22.PA:5	05		22.PA:6	08	
22.PA:7	08		22.PA:8	07	
22.PA:9	05		22.PA:10	05	
22.PA:11	05		22.PA:12	05	
22.PA:13	06		22.PA:14	05	
22.PA:15	08		22.PA:16	05	
22.PA:17	08		22.PA:18	07	
22.PA:19	05		22.PA:20	09	C

22 Chapter - Powapak - Continued

Page	Issue	Changed	Page	Issue	Changed
22.PA:21	07		22.PA:22	07	
22.PA:23	07		22.PA:24	07	
22.PA:25	07		22.PA:26	08	
22.PA:27	07		22.PA:28	07	
22.PB:1	07		22.PB:2	07	
22.PB:3	07		22.PB:4	07	
22.PB:5	07		22.PB:6	07	
22.PB:7	07		22.PB:8	07	
22.PB:9	07		22.PB:10	07	
22.PB:11	07		22.PB:12	07	
22.PB:13	08		22.PB:14	07	
22.PB:15	07		22.PB:16	07	
22.PB:17	07		22.PB:18	07	
22.PB:19	07		22.PB:20	07	
22.PB:21	08		22.PB:22	07	
22.PB:23	07		22.PB:24	08	
22.PB:25	07		22.PB:26	07	
22.PB:27	07		22.PB:28	07	
22.PC:1	07		22.PC:2	08	
22.PC:3	07		22.PC:4	07	
22.PC:5	07		22.PC:6	07	
22.PC:7	07		22.PC:8	07	
22.PC:9	07		22.PC:10	07	
22.PD:1	07		22.PD:2	08	
22.PD:3	07		22.PD:4	07	
22.PD:5	07		22.PD:6	07	
22.PD:7	07		22.PD:6	08	
22.PE:1	07		22.PE:2	07	
22.PE:3	07		22.PE:4	07	
22.PE:5	07		22.PE:6	07	
22.PF:1	07		22.PF:2	07	
22.PF:3	08		22.PF:4	07	
22.PF:5	07		22.PF:6	07	
22.PF:7	07		22.PF:8	07	
22.PF:9	07		22.PF:10	07	
22.PF:11	07		22.PF:12	07	
22.PF:13	07		22.PF:14	07	
22.PF:15	07		22.PF:16	07	
22.PF:17	07		22.PF:18	07	
22.PF:19	07		22.PF:20	07	
22.PF:21	07		22.PF:22	07	
22.PF:23	07		22.PF:24	07	
22.PF:25	07		22.PF:26	07	

22 Chapter - Powapak - Continued

Page	Issue	Changed	Page	Issue	Changed
22.PG:1	07		22.PG:2	07	
22.PG:3	07		22.PG:4	07	
22.PG:5	09	C	22.PG:6	07	
22.PG:7	07		22.PG:8	07	
22.PG:9	07		22.PG:10	07	
22.PG:11	07		22.PG:12	07	
22.PG:13	07		22.PG:14	07	

23 Chapter - Systems Locker

Page	Issue	Changed	Page	Issue	Changed
23:1	01		23:2	01	
23:3	01		23:4	05	

24 Chapter - Channel Brush

Page	Issue	Changed	Page	Issue	Changed
24:1	01		24:2	03	
24:3	01		24:4	03	
24:5	01		24:6	06	
24:7	06		24:8	06	
24:9	06		24:10	01	
24:11	01		24:12	01	
24:13	08		24:14	03	
24:15	03		24:16	01	
24:17	01		24:18	01	
24:19	01		24:20	01	

25 Chapter - Nozzle

Page	Issue	Changed	Page	Issue	Changed
25:1	06		25:2	09	C
25:3	01		25:4	09	C
25:5	01		25:6	09	C
25:7	08		25:8	06	
25:9	09	N	25:10	09	N

26 Chapter - Wide Sweep Brush

Page	Issue	Changed	Page	Issue	Changed
26:1	01		26:2	03	
26:3	08		26:4	03	
26:5	04		26:6	01	
26:7	01		26:8	01	
26:9	01		26:10	05	
26:11	01		26:12	01	
26:13	01		26:14	01	

27 Chapter - Wanderhose/Littasnatch

Page	Issue	Changed	Page	Issue	Changed
27:1	01		27:2	01	
27:3	06		27:4	04	
27:5	01		27:6	01	
27:7	01		27:8	01	
27:9	01		27:10	06	
27:11	08		27:12	04	
27:13	01		27:14	01	
27:15	09	C	27:16	06	
27:17	06		27:18	01	
27:19	01		27:20	04	
27:21	04		27:22	08	
27:23	08		27:24	04	
27:25	04		27:26	05	

28 Chapter - Hydraulics

Page	Issue	Changed	Page	Issue	Changed
28:1	01		28:2	03	
28:3	03		28:4	01	
28:5	06		28:6	04	
28:7	08		28:8	01	
28:9	05		28:10	01	
28:11	01		28:12	01	
28:13	01		28:14	01	
28:15	01		28:16	01	
28:17	01		28:18	01	
28:19	05		28:20	01	
28:21	04		28:22	04	
28:23	04		28:24	04	
28:25	01		28:26	01	

29 Chapter - Pneumatics

Page	Issue	Changed	Page	Issue	Changed
29:1	01		29:2	01	
29:3	01		29:4	01	
29:5	01		29:6	01	
29:7	03		29:8	01	
29:9	01		29:10	01	

30 Chapter - Water System

Page	Issue	Changed	Page	Issue	Changed
30:1	01		30:2	01	
30:3	01		30:4	01	
30:5	01		30:6	09	C
30:7	09	C	30:8	01	
30:9	01		30:10	01	
30:11	02		30:12	02	
30:13	01		30:14	08	
30:15	08		30:16	06	
30:17	09	C	30:18	01	
30.SW:1	06		30.SW:2	01	
30.SW:3	01		30.SW:4	03	
30.SW:5	03		30.SW:6	01	
30.SW:7	01		30.SW:8	03	
30.SW:9	02		30.SW:10	03	
30.SW:11	03		30.SW:12	01	
30.SW:13	01		30.SW:14	01	
30.SW:15	01		30.SW:16	01	
30.SW:17	01		30.SW:18	01	
30.SW:19	06		30.SW:20	06	
30.SW:21	06		30.SW:22	01	
30.SW:23	01		30.SW:24	06	

31 Chapter - Electrical System

Page	Issue	Changed	Page	Issue	Changed
31:1	01		31:2	02	
31:3	02		31:4	01	
31:5	02		31:6	08	
31:7	08		31:8	04	
31:9	05		31:10	04	
31:11	04		31:12	01	
31:13	01		31:14	01	
31:15	07		31:16	01	

32 Chapter - Cab Controls

Page	Issue	Changed	Page	Issue	Changed
32:1	01		32:2	01	
32:3	01		32:4	08	
32:5	08		32:6	09	C
32:7	08		32:8	09	C
32:9	09	C	32:10	08	
32:11	01		32:12	01	
32:13	01		32:14	01	

33 Chapter - Chassis Application

Page	Issue	Changed	Page	Issue	Changed
33:1	01		33:2	01	
33:3	01		33:4	01	
33:5	01		33:6	01	
33:7	01		33:8	01	

34 Chapter - Miscellaneous

Page	Issue	Changed	Page	Issue	Changed
34:1	01		34:2	02	
34:3	02		34:4	02	
34:5	02		34:6	01	

35 Chapter - Optional Equipment

Page	Issue	Changed	Page	Issue	Changed
35:1	09	C	35:2	01	
35.AE:1	01		35.AE:2	01	
35.AE:3	01		35.AE:4	01	
35.AE:5	01		35.AE:6	06	
35.AE:7	06		35.AE:8	06	
35.AE:9	01		35.AE:10	01	
35.AE:11	06		35.AE:12	06	
35.AE:13	06		35.AE:14	06	
35.BD:1	03		35.BD:2	01	
35.BD:3	03		35.BD:4	03	
35.BD:5	04		35.BD:6	08	
35.BD:7	08		35.BD:8	08	
35.SG:1	01		35.SG:2	01	
35.SG:3	01		35.SG:4	01	
35.SG:5	01		35.SG:6	01	
35.SG:7	06		35.SG:8	01	
35.SG:9	06		35.SG:10	01	
35.SG:11	06		35.SG:12	01	
35.SG:13	01		35.SG:14	01	
35.SG:15	01		35.SG:16	01	
35.SG:17	06		35.SG:18	01	
35.SG:19	03		35.SG:20	03	
35.SG:21	04		35.SG:22	08	
35.SG:23	04		35.SG:24	08	
35.SG:25	08		35.SG:26	04	
35.SG:27	04		35.SG:28	09	C
35.SG:29	04		35.SG:30	04	
35.SG:31	04		35.SG:32	04	

35 Chapter - Optional Equipment (continued)

Page	Issue	Changed	Page	Issue	Changed
35.SG:33	08		35.SG:34	06	
35.SG:35	06		35.SG:36	06	
35.SG:37	06		35.SG:38	06	
35.SG:39	06		35.SG:40	06	
35.SG:41	06		35.SG:42	08	
35.SG:43	08		35.SG:44	08	
35.SG:45	08		35.SG:46	06	
35.WS:1	01		35.WS:2	01	
35.WS:3	01		35.WS:4	01	
35.WS:5	01		35.WS:6	01	
35.WS:7	01		35.WS:8	01	
35.WS:9	01		35.WS:10	01	
35.WS:11	09	N	35.WS:12	09	N
35.WS:13	09	N	35.WS:14	09	N
35.WS:15	09	N	35.WS:16	09	N
35.WS:17	09	N	35.WS:18	09	N
35.WS:19	09	N	35.WS:20	09	N
35.WS:21	09	N	35.WS:22	09	N
35.WS:23	09	N	35.WS:24	09	N

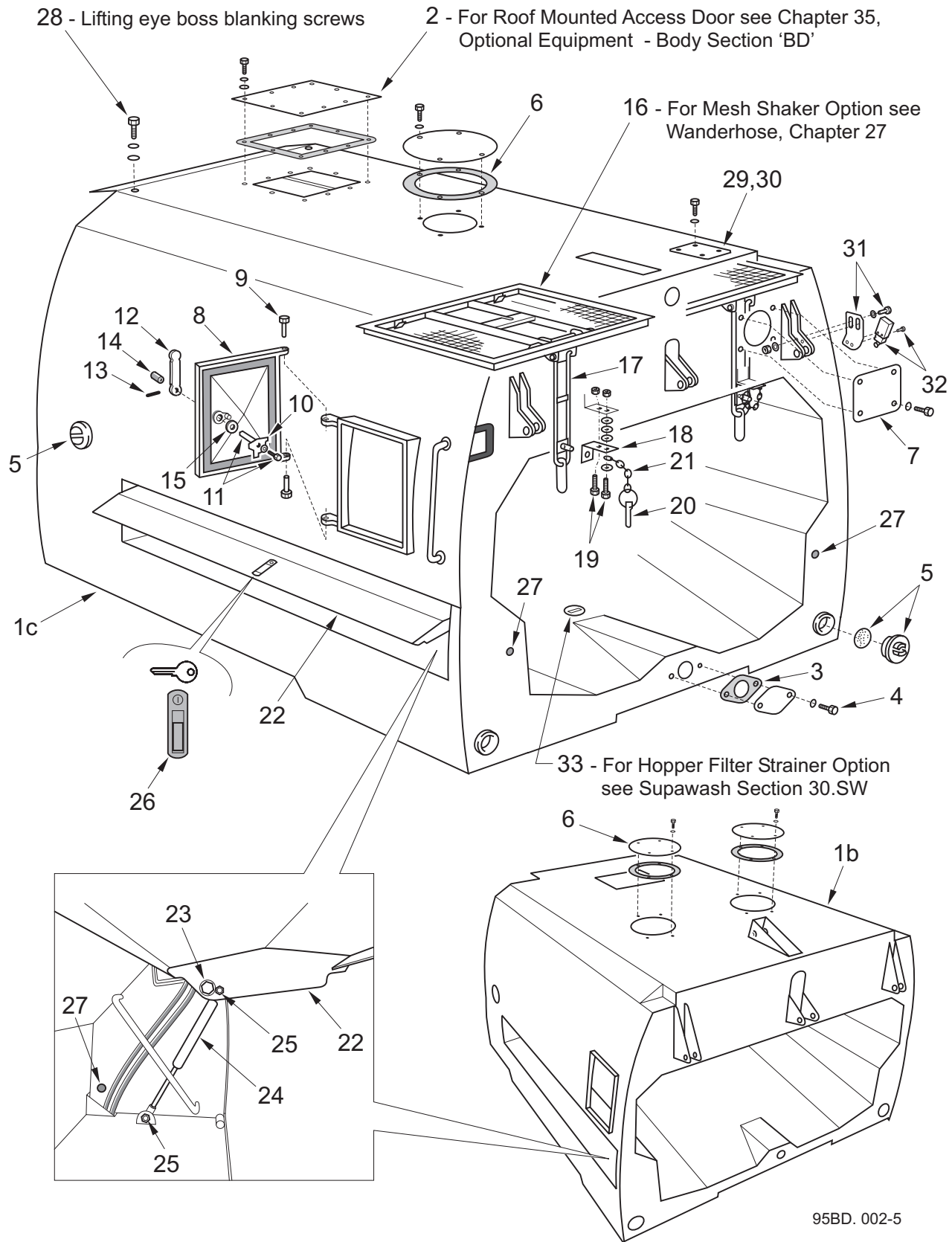
CHAPTER

20

Body/Rear Door/Cowl**Table of Contents**

Section	Page
Body Common Parts	
Mesh Screens and Doors	20 : 2
Discharge Components	20 : 6
Door Clamp Assembly	20 : 8
Water Components	20 : 10
Body Configuration	
Intake Components	20 : 5
Rear Door	
Door Assembly and Installation	20 : 12
Door Screens	20 : 14
Door Drains	20 : 16
Cowl Common Parts	
Seals and Soundproofing	20 : 18
Wafer Pack and Wear Plates	20 : 20
Cowl Configuration	
Intake Duct Flaps	20 : 22
Hydraulic Hoses	
Body Discharge System	20 : 24

Body Common Parts (1) - Mesh Screens and Doors



Body Common Parts (1) - Mesh Screens and Doors

BoM 940611

Item No.	Part No.	Description	Quantity			
			500	605	650	800
1a	294001-2	500 Body, Chrome Steel (4003) Not shown	✓	-	-	-
	294001-3	500 Body, Stainless Steel (316) Not shown	✓	-	-	-

BoM 950611

1b	295100-2	605 Body, Chrome Steel (4003)	-	✓	-	-
	295100-3	605 Body, Stainless Steel (316)	-	✓	-	-
1c	295000-2	650 Body, Chrome Steel (4003)	-	-	✓	-
	295000-3	650 Body, Stainless Steel (316)	-	-	✓	-

BoM 960611

1d	296000-2	800 Body, Chrome Steel (4003) Not Shown	-	-	-	✓
	296000-3	800 Body, Stainless Steel (316) Not Shown	-	-	-	✓

BoMs 940611, 950611, 960611

2	280528-2	Roof Access Panel (4003)	-	1	1	1
	280528-3	Roof Access Panel (316)	-	1	1	1
3	283613-1	Gasket	-	1	1	1
	124-437	Screw M8 x 25	-	10	10	10
	460-10	Washer - Spring Ø8	-	10	10	10
	280582-2	Blanking Plate - Recirculation (4003)	-	1	1	1
	280582-4	Blanking Plate - Recirculation (316)	-	1	1	1
4	282574-1	Gasket	-	1	1	1
	118-169	Screw M10 x 25 - Stainless Steel	-	2	2	2
	451-6	Washer - Sealing M10	-	2	2	2

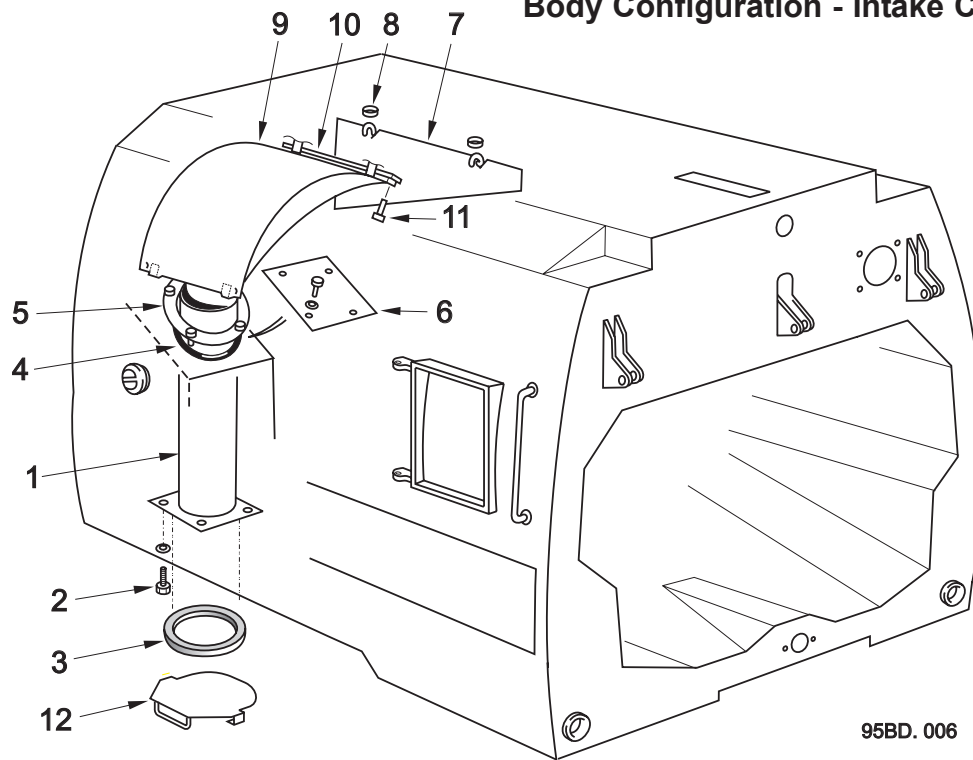
Body Welded Assemblies comprise items 1 to 4 above

>	5	284040-1	Cap	4	4	4	4
		40643-1	Cap Seal	4	4	4	4
6	281376-2	Wanderhose Blanking Plate (4003)	2	2	1	1	
	5955-1	Seal	2	2	1	1	
	118-199	Screw M12 x 20 Stainless Steel	8	8	4	4	
	458-12	Washer - Spring Ø12 Stainless Steel	8	8	4	4	
	281947-2	Blanking Plate - Littasnatch (4003)	-	-	1	1	
7	118-167	Screw M10 x 20 Stainless Steel	-	-	4	4	
	458-10	Washer - Spring Ø10 Stainless Steel	-	-	4	4	
8	200345-1	Access Door	2	2	2	2	
	281217-1	Seal	2	2	2	2	
9	123-149	Bolt M12 x 55	4	4	4	4	
	425-16	Nut M12	4	4	4	4	
10	200342-2	Catch	2	2	2	2	
11	282474-1	Shaft	2	2	2	2	
	124-100	Screw M6 x 12	2	2	2	2	
	457-2	Washer - Plain Ø6	2	2	2	2	
	460-8	Washer - Spring Ø6	2	2	2	2	
	63065-2	Handle	2	2	2	2	
12							
13	59-1	Cotter Pin	2	2	2	2	

Body Common Parts (1) - Mesh Screens and Doors

Item No.	Part No.	Description	Quantity			
			500	605	650	800
14	290-28	Buffer	2	2	-	-
15	455-14	Washer - Plain Ø16	2	2	-	-
16	200712-1	Mesh	2	2	2	-
	280043-1	Mesh	-	-	-	2
17	200714-9	Handle	2	2	-	-
>	200714-13	Handle	-	-	2	4
18	42111-2	Eye - Mesh Handle	-	-	2	4
	63761-2	Eye - Mesh Handle	2	2	-	-
19	118-141	Screw M8 x 35 Stainless Steel	4	4	4	8
	415-8	Nut M8 Stainless Steel	4	4	4	8
	458-8	Washer - Spring Ø8 Stainless Steel	4	4	4	8
	454-8	Washer - Plain Ø8 Stainless Steel	12	12	12	24
20	60-21	Lynch Pin / Chain - 9 Links	2	2	2	4
21	-					
	282872-2	Locker Door Installation - 4003)	Each comprising			
	282872-3	Locker Door Installation - St. Stl.)	items 22 to 26			
22	282873-2	Locker Door (4003)	-	2	2	-
	282873-3	Locker Door (316)	-	2	2	-
23	129-183	Screw M12 x 25 Cap Head	-	2	2	-
24	293-14	Gas Strut	-	4	4	-
25	425-14	Nut - Nyloc M8	-	8	8	-
26	211-34	Latch	-	2	2	-
	211-35	Latch Key	-	4	4	-
27	288-39	Blanking Plug	-	2	2	-
28	124-265	Screw M16 x 25	2	2	2	2
	455-14	Washer - Plain Ø16	2	2	2	2
	460-14	Washer - Spring Ø16	2	2	2	2
29	281377-2	Blanking Plate - Mesh Shaker (4003)	2	2	2	2
	118-135	Screw M8 x 20 - Stainless Steel	8	8	8	8
	454-8	Washer - Plain Ø8 - Stainless Steel	8	8	8	8
	458-8	Washer - Spring Ø8 - Stainless Steel	8	8	8	8
30	281377-3	Blanking Plate - Mesh Shaker (316)	2	2	2	2
	118-135	Screw M8 x 20 - Stainless Steel	8	8	8	8
	454-8	Washer - Plain Ø8 - Stainless Steel	8	8	8	8
	458-8	Washer - Spring Ø8 - Stainless Steel	8	8	8	8
31	282958-1	Limit Switch Mount	1	1	1	1
	118-139	Screw M3 x 30 - Stainless Steel	2	2	2	2
	454-8	Washer - Plain Ø8 - Stainless Steel	2	2	2	2
	417-8	Nut - Nyloc M8 - Stainless Steel	2	2	2	2
32	282186-1	Limit Switch	1	1	1	1
	84-51	Switch Actuator Arm - Spares item				
	129-36	Screw M4 x 20 Cap Head	2	2	2	2
33	200479-1	Plug	1	1	1	1
	80-65	'O' Ring	1	1	1	1

Body Configuration - Intake Components

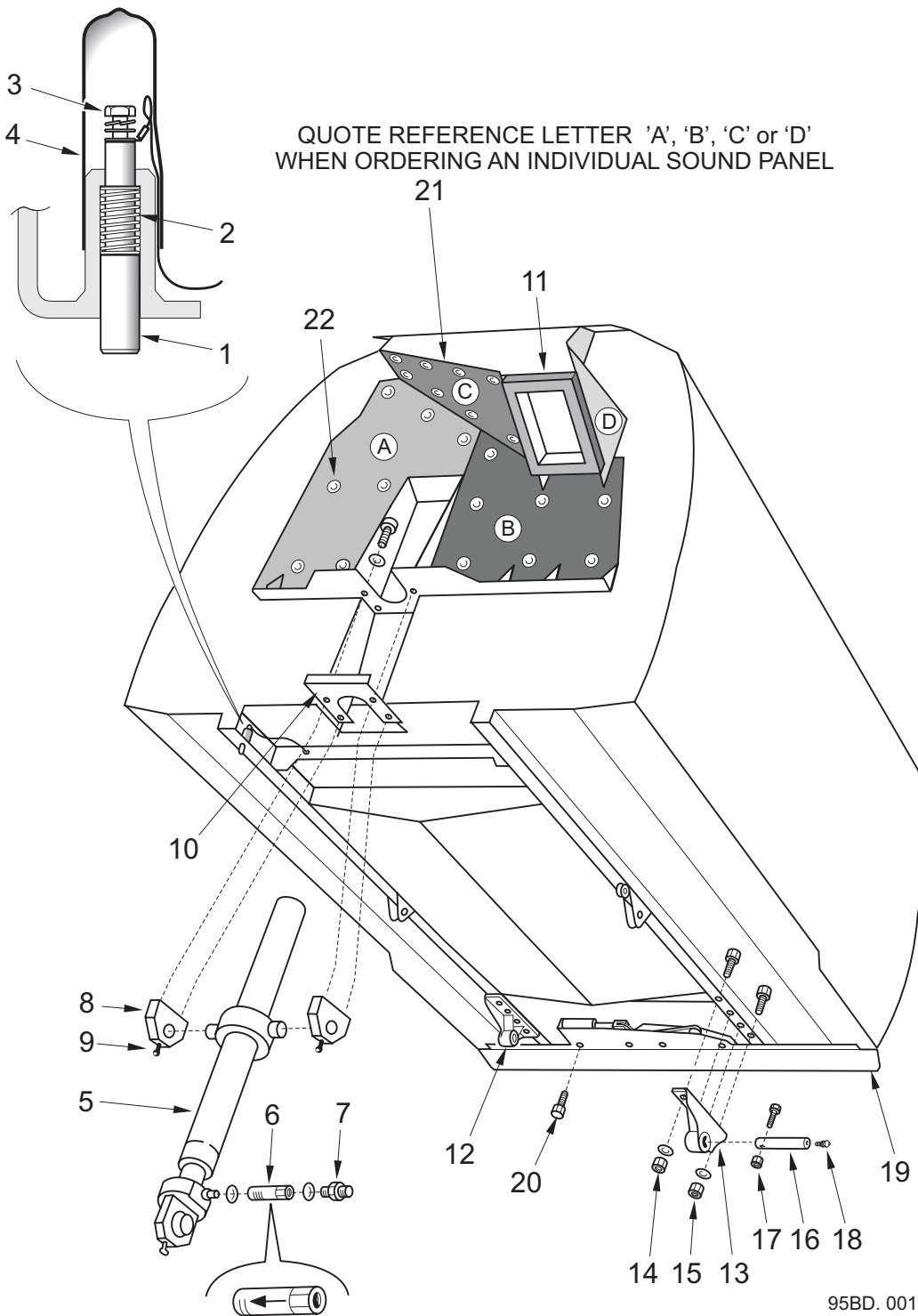


BoM 950612, 960612

Item No.	Part No.	Description	Quantity	
			Single	Dual
* 1	280694-1	Intake Duct - Unlined, V500, 605, 650	1	2
	296031-1	Intake Duct - Unlined, V800	1	2
2	118-201	Screw M12 x 25 Stainless Steel	4	8
	485-12	Washer - Spring Ø12 Stainless Steel	4	8
3	93404-1	Make/Break Seal	1	2
4	93400-1	Sealing Ring	1	2
5	95775-1	Seal Ring Clamp	1	2
	118-205	Screw M12 x 35 Stainless Steel	4	8
6	95774-2	Blanking Plate (Redundant Inlet)	1	-
	135-1	Screw M12 x 25	4	-
	460-12	Washer - Spring Ø12	4	-
7	40243-1	Centre Baffle - V650, V800	-	1
	63745-1	Centre Baffle - V500, V605 Lo-Top	-	1
8	41234-1	Locking Ring	-	2
*9	281190-2	LH Wear Plate V500, V605 Lo-Top	1	1
	281190-1	RH Wear Plate V500, V605 Lo-Top	1	1
	40249-1	LH and RH Wear Plate - V650, V800	1	2
10	40223-1	Clamp Bar	1	2
> 11	118-167	Screw M10 x 20 Stainless Steel	2	4
	458-10	Washer - Spring Ø10 Stainless Steel	2	4
	454-10	Washer - Plain Ø10 Stainless Steel	2	4
12	97944-1	Blanking Plate - Used with Wanderhose	1	-

*For heavy duty intake ducts and wear plates see Optional Equipment Chapter 35 Body Section BD

Body Common Parts (2) - Discharge Components

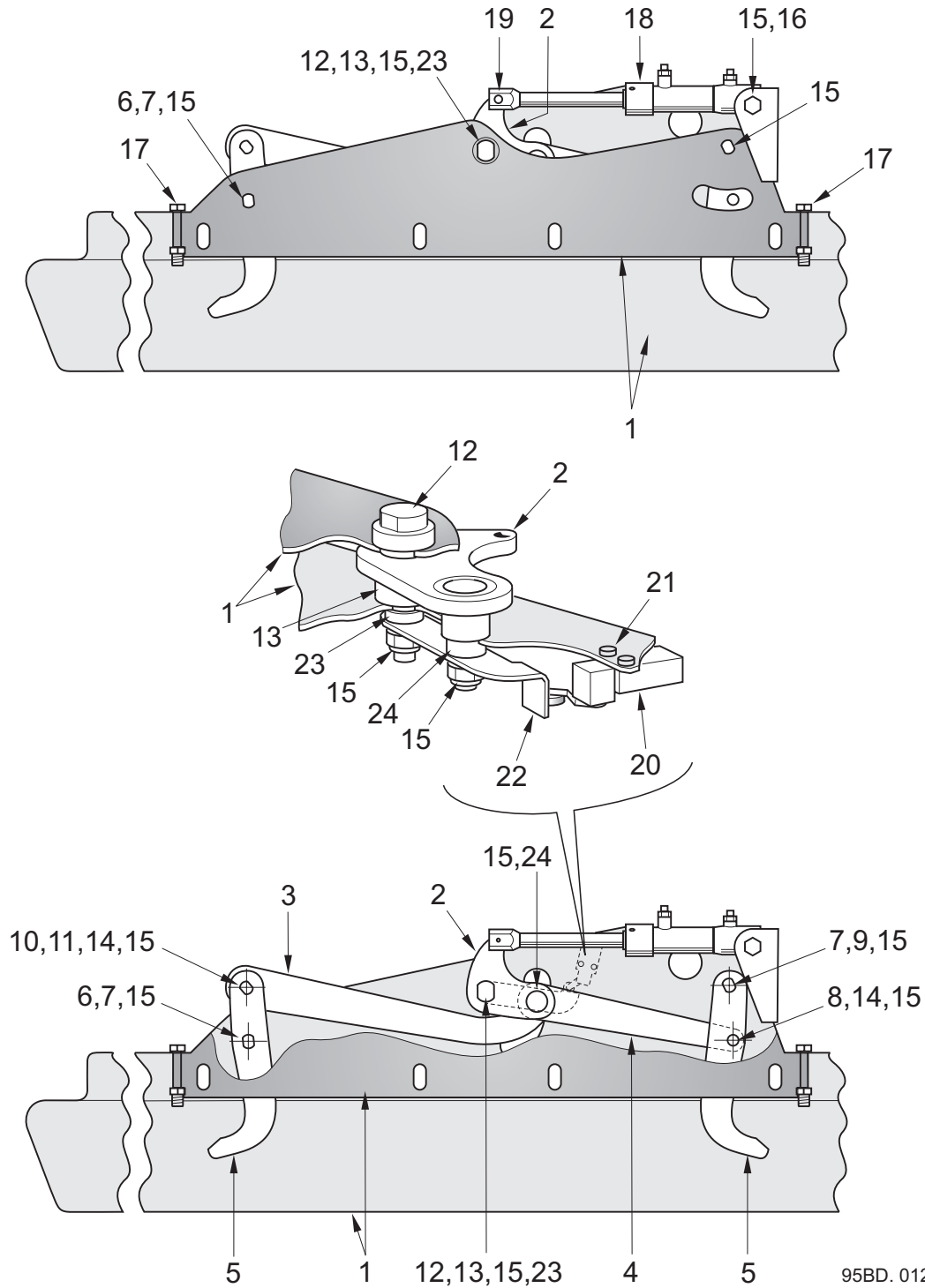


Body Common Parts (2) - Discharge Components

BoM's 940611, 950611, 960611.

Item No.	Part No.	Description	Quantity
1	800862-1	Piston	1
2	200755-1	Spring	1
3	118-70	Screw M5 x 16 - Stainless Steel	1
	458-5	Washer - Spring Ø5 - Stainless Steel	1
	454-105	Washer - Plain Ø5 - Stainless Steel	1
4	32-131	Boot	1
5	28940-4	Body Tip Cylinder - 500/605/650 Series	1
	28940-5	Body Tip Cylinder - 800 Series Only	1
6	253-14	PC Flow Valve	1
	451-18	Washer - Sealing 3/8"	1
7	263-3	Adaptor G3/8"	1
	451-18	Washer - Sealing 3/8"	1
8	42072-1	Trunnion Block	2
9	38-1	Grease Nipple	2
10	41817-1	Sealing Plate	1
	123-203	Setscrew M12 x 30	4
	460-12	Washer - Spring Ø12	4
11	282396-1	Body Make/Break Seal	1
12	282473-1	RH Pivot Bracket - 605/650/800 Series	1
	294060-2	RH Pivot Bracket - 500 Series Only	1
13	282473-2	LH Pivot Bracket - 605/650/800 Series	1
	294060-1	LH Pivot Bracket - 500 Series Only	1
14	124-207	Screw M12 x 40	2
	425-16	Nut M12	2
	455-12	Washer - Plain Ø12	2
15	124-239	Screw M14 x 40	8
	425-17	Nut M14	8
	455-13	Washer - Plain Ø14	8
16	201248-1	Body Pivot Pin	2
17	123-159	Bolt M12 x 110	2
	425-16	Nut N12 Nyloc	2
18	38-30	Grease Nipple	2
19	281443-1	Door Clamp Assembly - See over page	1
20	124-277	Screw M16 x 70	4
	455-14	Washer - Plain Ø16	4
	460-14	Washer - Spring Ø16	4
21	281200-2	Sound Attenuation Kit - 800 Series Only	1
	281196-3	Sound Attenuation Kit - Lo-Top Body	1
	280805-2	Sound Attenuation Kit - Hi-Top Body	1
22	283-23	Retainer Nail	22
	283-25	Retainer Cap	22

Body Common Parts (2) - Door Clamp Assembly



95BD. 012

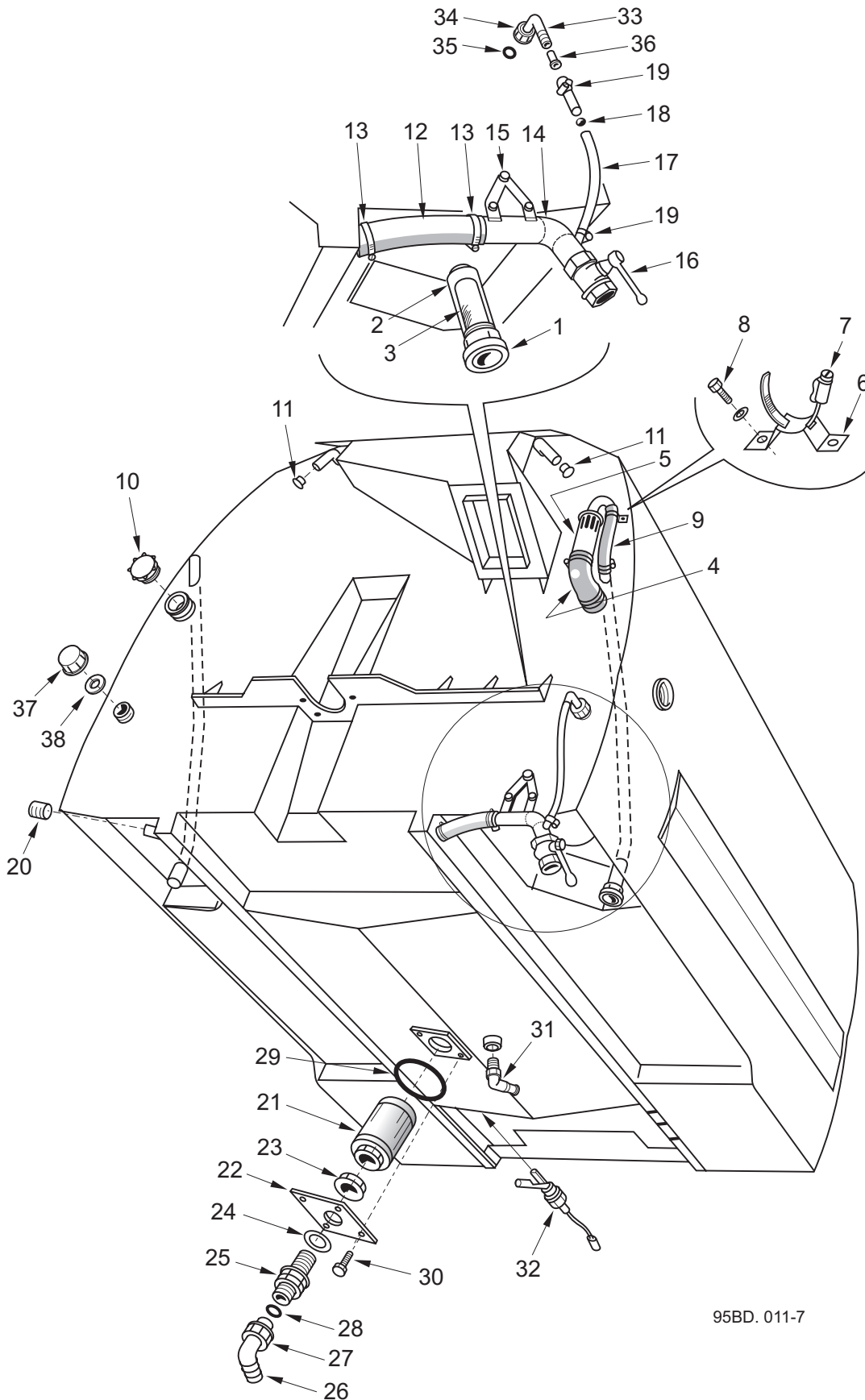
Body Common Parts (2) - Door Clamp Assembly

Drg. No. 281443 Rev.07

Item No.	Part No.	Description	Quantity
	281443-1	Door Clamp Assembly	
1	281427-1	Chute Weld Assembly	1
2	282845-1	Fulcrum	1
3	281429-1	Lever - Cranked	1
4	281431-1	Lever	1
5	281430-1	Claw	2
6	281442-3	Pivot Bolt	1
7	281434-3	Spacer	2
8	281435-3	Pin	1
9	281439-3	Pivot Bolt	1
10	281964-3	Pivot Bolt	1
11	282579-3	Spacer	1
12	281958-3	Pivot Pin	1
13	282026-3	Spacer	1
14	455-12	Washer - Plain M12	3
15	425-16	Nut - Nyloc M12	6
16	123-190	Bolt M16 x 90	1
	425-18	Nut - Nyloc M16	1
	455-14	Washer - Plain M16	2
17	124-215	Setscrew M12 x 80	2
	420-16	Nut M12	2
18	281565-1	Cylinder	1
19	29145-1	Clevis Pin	1
	39624	Spring Clip	1
20	282187-1	Limit Switch	1
21	129-38	Screw Cap Head M4 x 25	2
	455-5	Washer - Plain Ø4	2
	460-5	Washer - Spring Ø4	2
22	282676-1	Actuating Arm	1
23	282705-3	Spacer	1
24	282706-3	Spacer	1

Notes

Body Common Parts (3) - Water Components



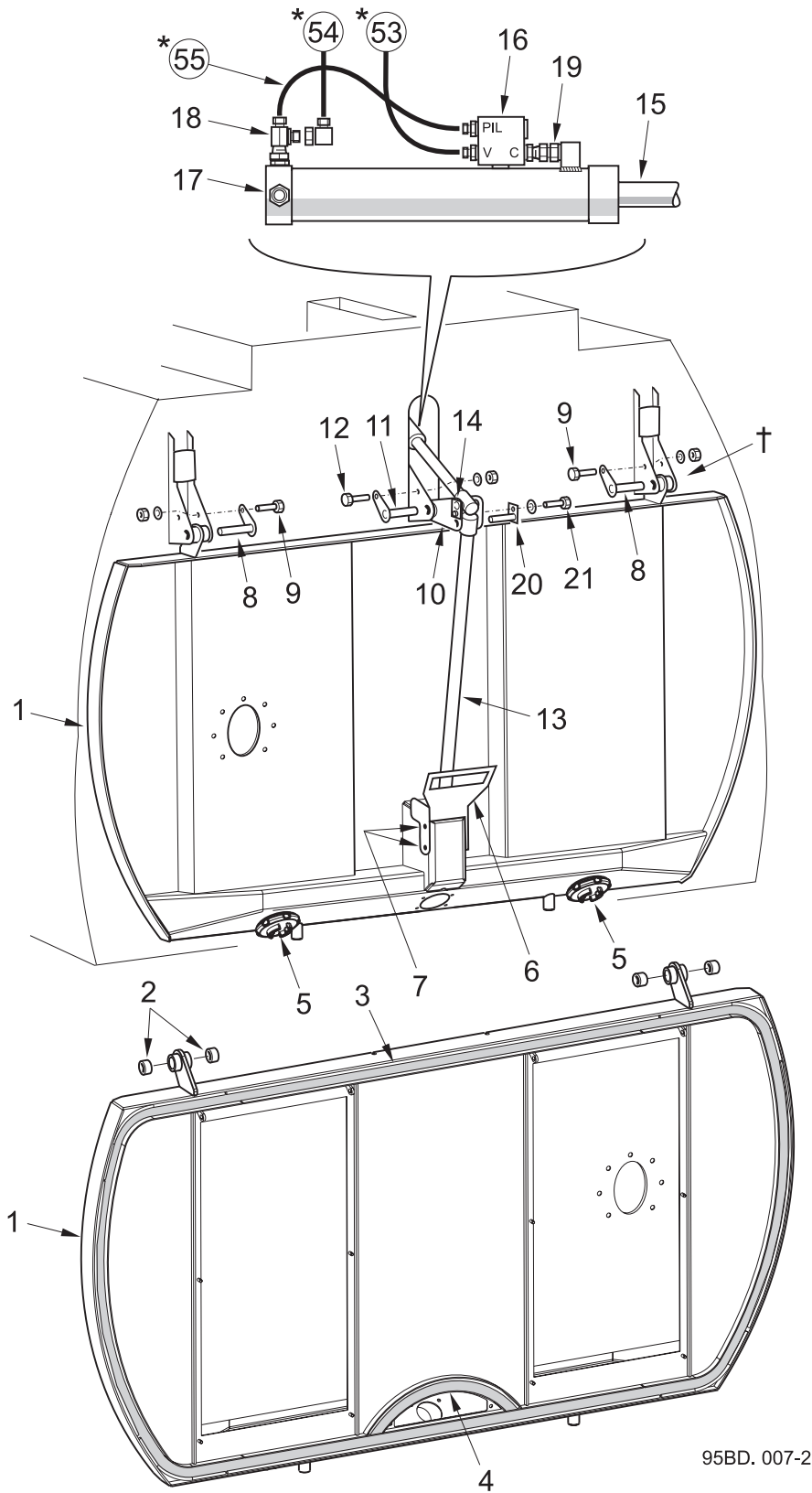
95BD. 011-7

Body Common Parts (3) - Water Components

BoM's 940611, 950611, 960611

Item No.	Part No.	Description	Quantity
1	667-31	Hydrant Coupling - Stortz	1
	18684-1	Hydrant Coupling - UK Machines only	1
2	42119-1	Body Hydrant Filler	1
3	39402	Filter Element	1
4	61096-2	Rubber Elbow	1
	501-9	Hose Clip - Elbow to Body	1
	501-7	Hose Clip - Elbow to Basket	1
> 5	284075-1	Water Filler Basket	1
6	95813-1	Bracket	1
7	501-11	Hose Clip	1
8	124-99	Screw M6 x 10	2
	460-8	Washer - Spring Ø6	2
9	272-33	Hose x 0.3m	1
	501-11	Hose Clip	1
10	44-28	Plastic Cap	1
11	45-29	Plastic Cap	2
12	42213-1	Hose	1
13	501-6	Hose Clip	2
14	283632-1	Tube	1
15	22773-1	Spacer	3
	124-139	Screw M8 x 30	3
	425-14	Nut M8	3
	455-10	Washer - Spring Ø8	3
16	39253	Ball Valve	1
17	15656-1	Sight Tube	1
18	22-7	Ball Float	1
19	501-2	Hose Clip	2
20	55-4	Plug R1 - 1/4"	1
	283062-2	Body Filter Assembly - Comprising items 21 to 28	
21	6974-1	Suction Element	1
22	283033-1	Flange	1
23	277-198	Backnut 1 1/2" BSP	1
24	277-214	Gasket 1 1/2"	1
25	277-212	Nipple 1 1/2" BSP	1
26	277-213	Hose Tail 1 1/2" BSP x 90°	1
27	277-170	Fly-nut 1 1/2" BSP	1
28	277-171	'O' Ring	1
29	80-143	'O' Ring	1
30	124-135	Screw M8 x 20	4
	460-10	Washer - Spring Ø8	4
31	277-230	Elbow	1
32	48-328	Level Switch	1
33	277-186	Elbow	1
34	277-159	Fly Nut	1
35	277-188	'O' Ring	1
36	44-55	Insert	1
37	277-189	Blanking Cap	1
38	277-160	Gasket	1

Door Assembly and Installation



† For Limit Switch details see Body Common Parts (1)

* For Hoses see Body Discharge - Hydraulic Hoses

Rear Door Assembly and Installation

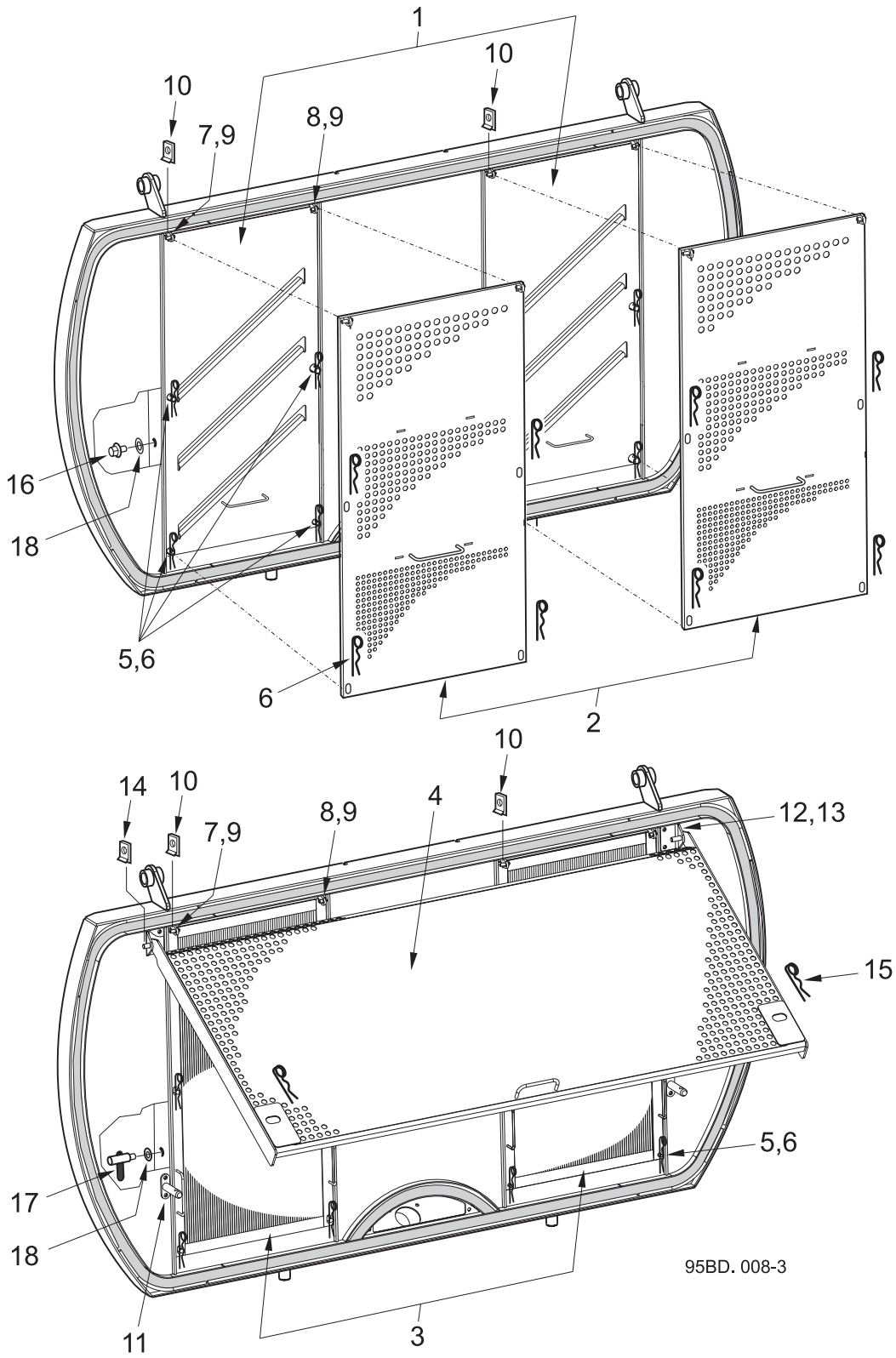
BoM 950811 - Door Assembly

Item No.	Part No.	Description	Quantity	
			4003	316
1	281620-2	Rear Door - Chrome Steel (4003)	1	
	281620-3	Rear Door - Stainless Steel (316)		1
2	29128-3	Bush	4	4
3	281777-1	Door Seal	1	1
4	281778-1	Door Seal - Re-circulation Port	1	1
> 5	284040-1	Cap	2	2
	40643-1	Seal	2	2
> 6	282451-2	Guard/Stowage - Chrome Steel	1	
	282451-3	Guard/Stowage - Stainless Steel		1
> 7	118-135	Screw M8 x 20 - Stainless Steel	4	4
	458-8	Washer - Spring Ø8 - Stainless Steel	4	4
	454-8	Washer - Plain Ø8 - Stainless Steel	4	4

BoM 950813 - Door Installation

8	282952-1	Hinge Pin		2
9	118-137	Screw M8 x 25 - Stainless Steel		2
	454-8	Washer - Plain Ø8 - Stainless Steel		2
	417-8	Nut - Nyloc M8 - Stainless Steel		2
10	40897-1	Relay		1
	29128-3	Bush		2
11	282952-2	Hinge Pin		1
12	118-137	Screw M8 x 25 - Stainless Steel		1
	454-8	Washer - Plain Ø8 - Stainless Steel		1
	417-8	Nut - Nyloc M8 - Stainless Steel		1
13	60113-9	Door Actuation Shaft		1
14	40572-1	Hinge Pin		1
	118-137	Screw M8 x 25 - Stainless Steel		1
	454-8	Washer - Plain Ø8 - Stainless Steel		1
15	29170-1	Hydraulic Cylinder		1
16	283325-1	Pilot Check Valve		1
17	40553-1	Pin		1
	425-18	Nut - Nyloc M16		2
18	255-11	Swivel Tee 1/4"		1
19	242-10	Swivel Adaptor G 1/4"		1
20	40572-1	Hinge Pin		1
21	124-132	Screw M8 x 12		1
	460-10	Washer - Spring Ø8		1

Rear Door Screens



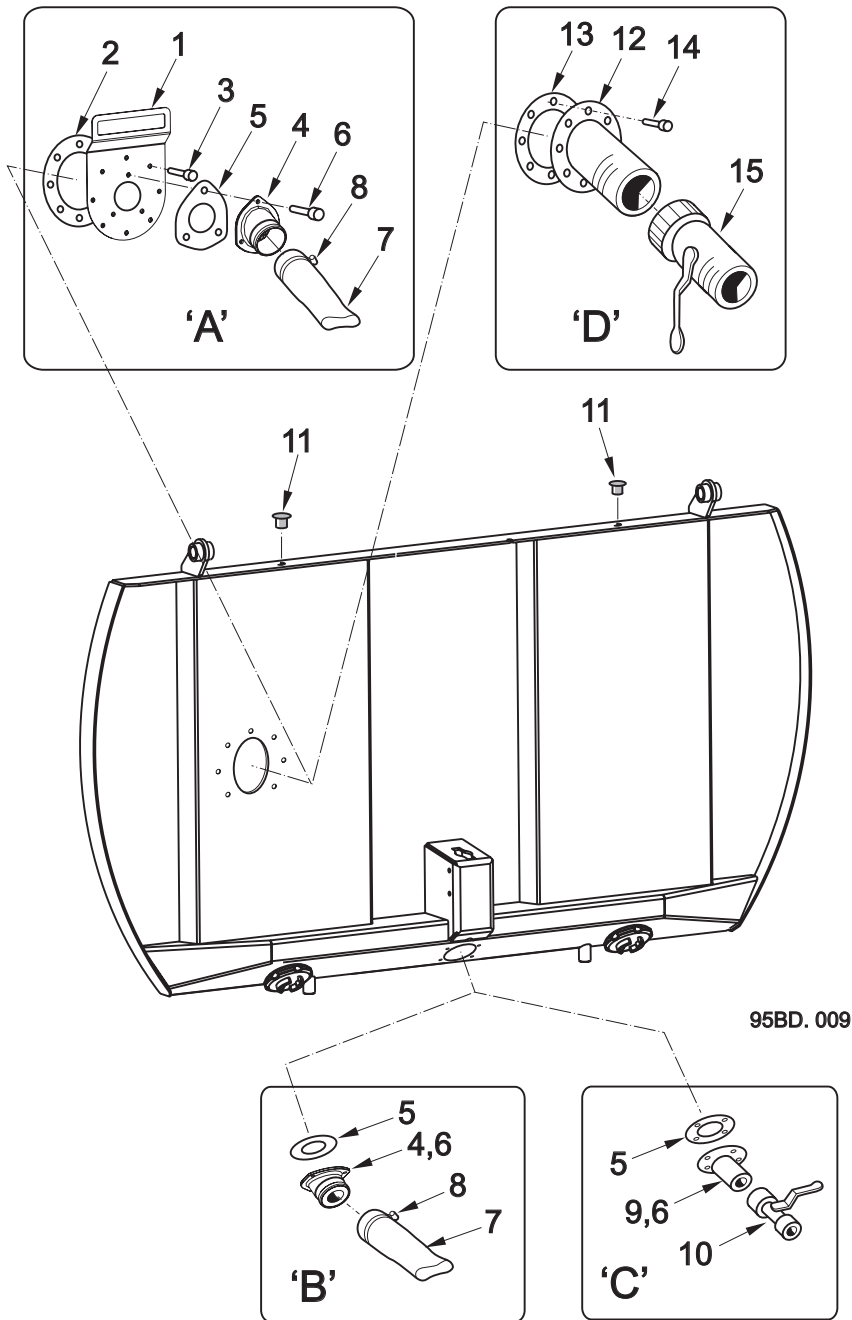
Rear Door Screens

BoM 950812

Item No	Part No.	Description	Quantity			
			Standard	Perforated	Wedge Wire	Primary
1	283530-1	Standard Panel Assembly	2	-	-	-
2	283420-1	Perforated Panel Assembly	-	2	-	-
3	283531-1	Wedge Wire Panel Assembly	-	-	2	-
4	281680-1	Primary Panel Assembly	-	-	-	1
5	281664-3	Pin Mesh Retainer	8	8	8	-
	417-8	Nut - Nyloc M8 - Stainless St'l	8	8	8	-
6	289-38	'R' Spring Clip	8	8	8	-
7	283508-1	L.H. Hinge Bracket	2	2	2	-
8	283508-2	R.H. Hinge Bracket	2	2	2	-
9	118-137	Screw M8 x 25 - Stainless St'l	8	8	8	-
	454-8	Washer - Plain Ø8 - Stainless St'l	8	8	8	-
	458-8	Washer - Spring Ø8 - Stainless St'l	8	8	8	-
10	283-2	Spring Clip	2	2	2	-
11	281685-1	Locking Bracket	-	-	-	2
12	281684-2	Pivot Bracket	-	-	-	2
13	118-137	Screw M8 x 25 - Stainless St'l	-	-	-	8
	454-8	Washer - Plain Ø8 - Stainless St'l	-	-	-	8
	458-8	Washer - Spring Ø8 - Stainless St'l	-	-	-	8
14	283-2	Spring Clip	-	-	-	1
15	289-39	'R' Spring Clip	-	-	-	2
16	3162	Plug - R 1/4"	1	1	-	-
17	88-15	Ball Valve - 1/4"M/F	-	-	1	-
18	451-124	Copper Washer G 1/4"	1	1	1	-

Notes

Rear Door Drains



- Base System comprises assemblies 'A' and 'B'
- De-watering and Recirculation Systems comprise assemblies 'A' and 'C'
- 4" Valve Option comprises assembly 'D'. This can be fitted with Base or De-watering/Recirculation Systems as required.

Rear Door Drain

BoM 950814

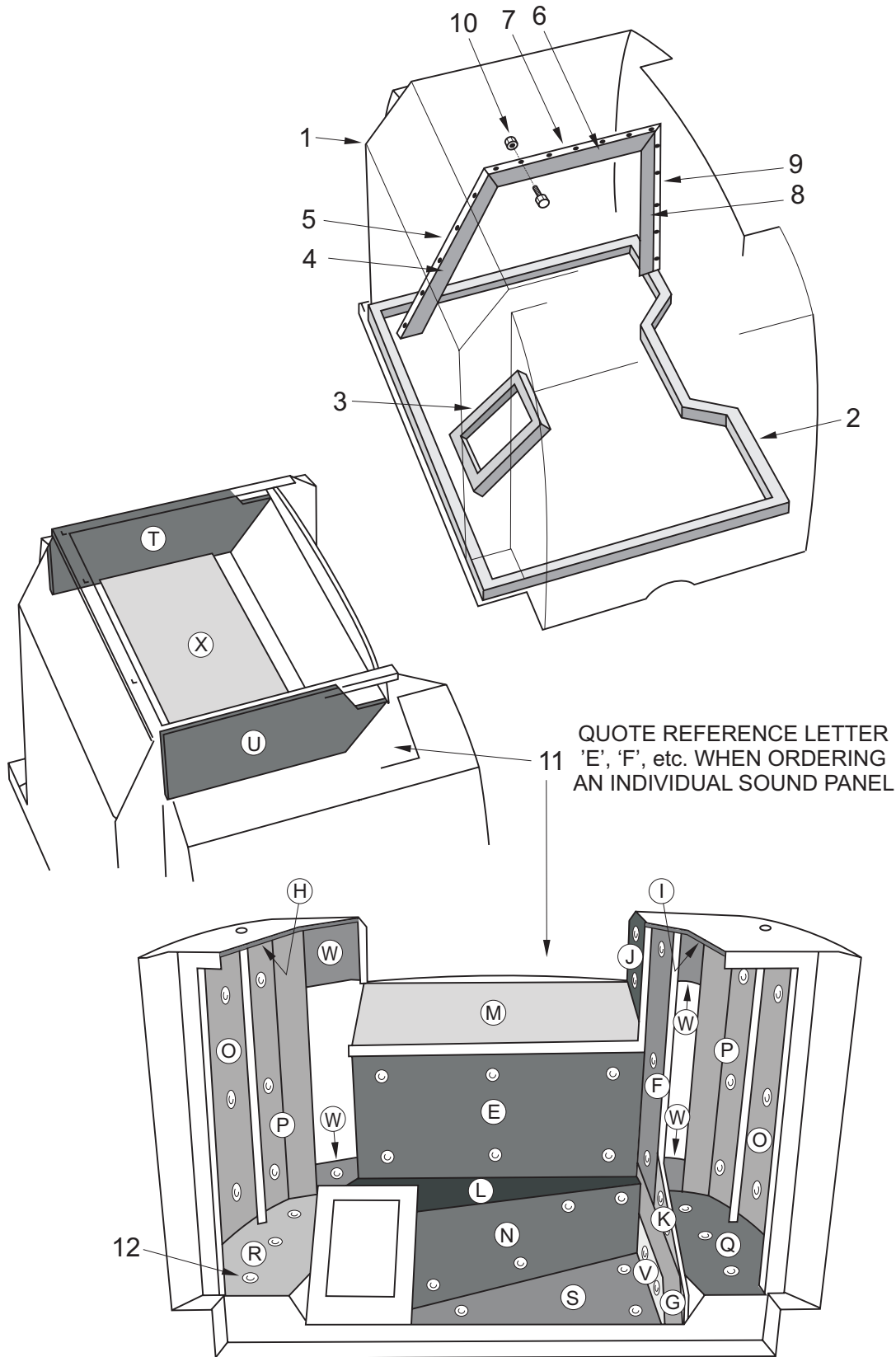
Item No.	Part No.	Description	Quantity		
			'A'	'B'	'C'
		Assemblies 'A', 'B' and 'C' comprising items 1 to 10:			
1	282727-1	Layflat Stowage Plate	1	-	-
2	281395-1	Gasket	1	-	-
3	118-167	Screw M10 x 20 - Stainless Steel	8	-	-
	451-140	Washer - Brass Ø10	8	-	-
4	281452-1	Drain Spigot	1	1	-
5	281411-1	Gasket	1	1	1
6	118-137	Screw M8 x 25 - Stainless Steel	3	3	3
	451-82	Washer - Brass Ø8	3	3	3
7	9983	Layflat Hose x 1m	1	1	-
8	501-7	Circlip	1	1	-
9	281715-3	1 1/2" Valve Drain Spigot	-	-	1
10	39253	1 1/2" Ball Valve	-	-	1
11	288-29	Lifting Eye Plug x 2			

KT01795

		Assembly 'D' comprising items 12 to 15:		'D'	
12	281393-3	4" Valve Drain Spigot		1	
13	281395-1	Gasket		1	
14	118-167	Screw M10 x 20 - Stainless Steel		8	
	451-6	Washer - Sealing Ø10		8	
15	88-24	4" Drain Valve		4	

Notes

Cowl - Common Parts (1) - Seals and Soundproofing



95BD. 010-2

Cowl - Common Parts (1) - Seals and Soundproofing

BoM 951511 - 500, 605, 650

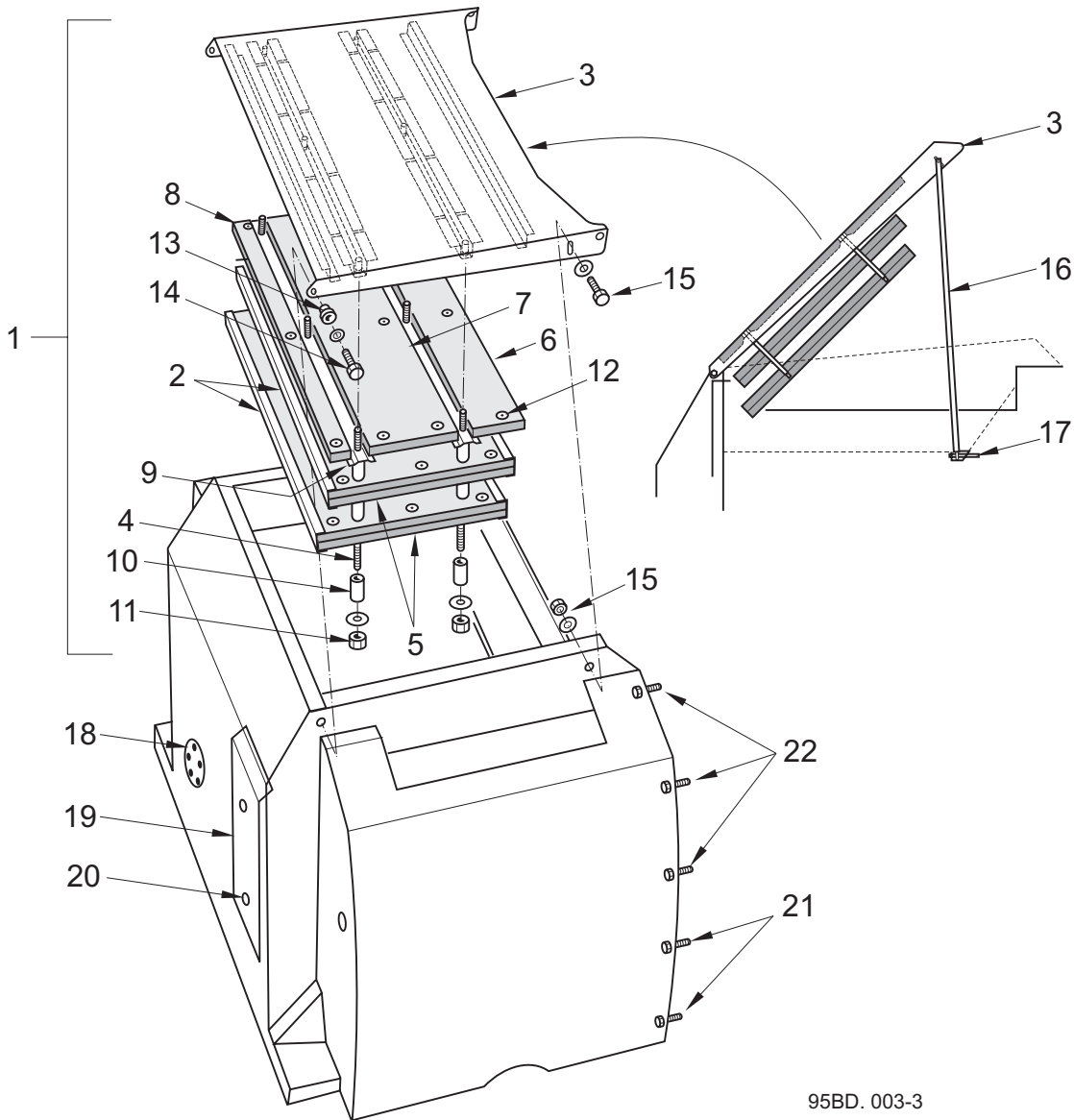
Item No.	Part No.	Description	Quantity
1	281170-1	Cowl - Lo-Top Mild Steel	1
	281170-2	Cowl - Lo-Top Chrome Steel (4003)	1
	281170-3	Cowl - Lo-Top Stainless Steel (316)	1
	280700-1	Cowl - Hi-Top Mild Steel	1
	280700-2	Cowl - Hi-Top Chrome Steel (4003)	1
	280700-3	Cowl - Hi-Top Stainless Steel (316)	1

Cowl BoM 961511 - 800

	280930-1	Cowl - Hi-Top Mild Steel	1
	280930-2	Cowl - Hi-Top Chrome Steel (4003)	1
	280930-3	Cowl - Hi-Top Stainless Steel (316)	1
2	282225-1	Cowl Seal	1
3	282397-1	Cowl/Fan Case Seal	1
4	42613-1	Radiator Rubber Seal	1
5	42610-1	Radiator Rubber Clamp	1
6	42612-1	Radiator Rubber Seal	1
7	42611-1	Radiator Rubber Clamp	1
8	42607-1	Radiator Rubber Seal	1
9	42610-1	Radiator Rubber Clamp	1
10	124-135	Screw M8 x 20	17
	420-14	Nut M8	17
	460-10	Washer - Spring Ø8	17
11	281196-1	Sound Attenuation Kit - Lo-Top Cowl - 500, 605 Series	1
	280805-1	Sound Attenuation Kit - Hi-Top Cowl - 650 Series	1
	281200-1	Sound Attenuation Kit - 800	1
12	283-23	Retainer Nail	100
	283-25	Retainer Cap	100

Notes

Cowl Common Parts (2) - Wafer Pack and Wear Plates



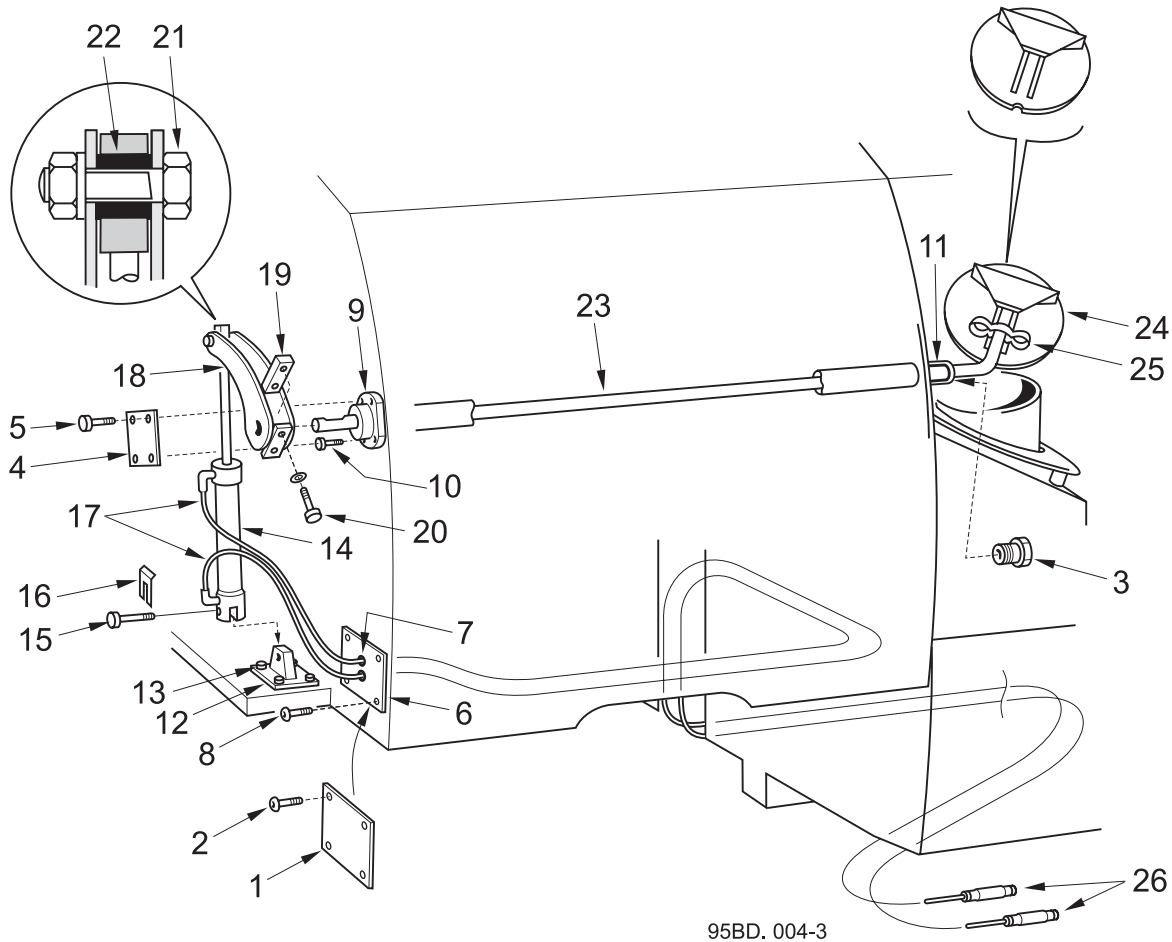
95BD. 003-3

Cowl Common Parts (2) - Wafer Pack and Wear Plates

Bom's 951511, 961511

Item No.	Part No.	Description	Quantity
1	295371-1	Cowl Hood/Wafer Pack Assembly - Comprising Items 2-12	
2	282370-1	Wafer Plate	2
3	295369-1	Hood	1
4	282955-1	Stud	6
	282385-1	Sound Attenuating Foam Kit - Comprising Items 5-8	
5	282385-5	Sound Attenuating Foam - Wafer Panels	4
6	282385-2	Sound Attenuating Foam - Hood Rear Section	1
7	282385-3	Sound Attenuating Foam - Hood Mid Section	1
8	282385-4	Sound Attenuating Foam - Hood Front Section	1
9	295368-1	Retainer Strip	2
10	283307-1	Spacer - Black Nylon	12
> 11	425-15	Nut - Nyloc M10	6
	457-5	Washer - Extra Large Ø10	6
12	283-25	Retainer Cap	64
13	280905-3	Spacer Hood Pivot	2
14	124-137	Screw M8 x 25	2
	460-10	Washer - Spring Ø8	2
15	124-135	Screw M8 x 20	2
	457-4	Washer - Spring Ø8	4
	425-14	Nut - Nyloc M8	2
16	280537-1	Hood Stay	1
17	124-185	Screw M10 x 90	1
	425-15	Nut M10	1
18	42739-1	Cover Plate - Hydraulic Tank Access	1
	135-56	Screw M6 x 12	5
19	61005-1	Wear Plate - 800 Series	1
	42663-1	Wear Plate - 500,605,650 Series	1
20	135-60	Screw M10 x 20	2
	420-15	Nut M10	2
	460-11	Washer - Spring Ø10	2
21	124-203	Screw M12 x 30	4
	460-11	Washer - Spring Ø12	4
	455-12	Washer - Plain Ø12	4
22	124-171	Screw M10 x 30	6
	460-11	Washer - Spring Ø10	6
	455-11	Washer - Plain Ø10	6

Cowl Configuration - Intake Duct Flaps



BoM 951512 - 500, 605, 650

BoM 961512 - 800

Single Sweep without Powered Flap Plate - Items 1 to 5:

Item No.	Part No.	Description	Quantity
1	42940-1	Blanking Plate	2
2	138-91	Screw M6 x 12	8
	460-8	Washer - Spring M6	8
3	42956-1	Blanking Plug	2
4	40250-1	Blanking Plate	2
5	124-139	Screw M8 x 30	8
	460-10	Washer - Spring M8	8

Cowl Configuration - Intake Duct Flaps

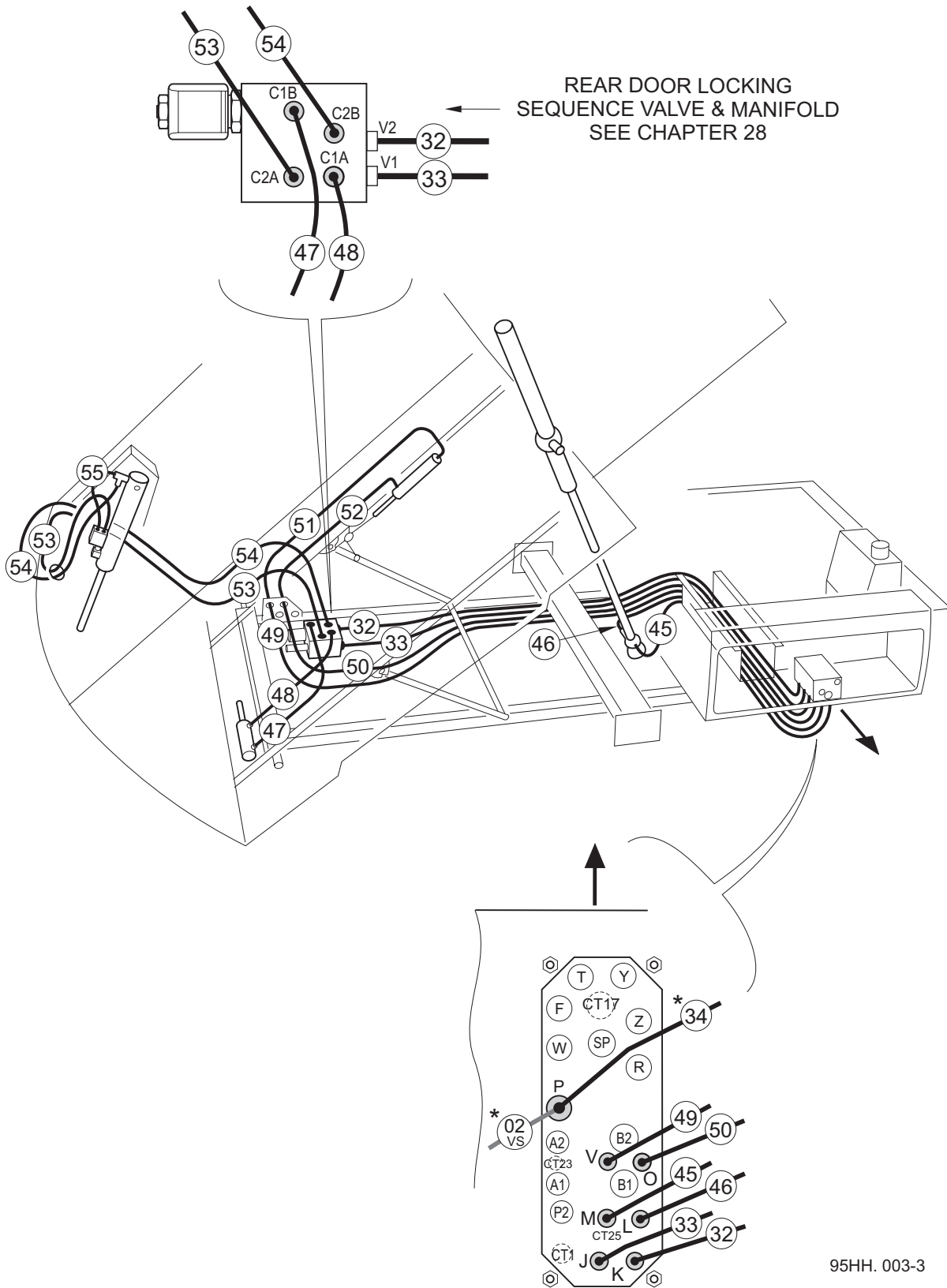
BoM 951512 - 500, 605, 650

BoM 961512 - 800

Single and Dual Sweep with Powered Flap Plate - Items 6 to 25:

Item No.	Part No.	Description	Quantity	
			Single	Dual
6	283299-1	Cover Plate	1	2
7	287-38	Grommet	2	4
8	460-8	Washer - Spring M6	4	8
	138-91	Screw M6 x 12	4	8
	460-8	Washer - Spring M6		
9	63523-1	Flap Bearing	1	2
10	124-139	Screw M8 x 30	4	8
	460-10	Washer - Spring M8	4	8
11	29128-2	Bush	1	2
12	281030-1	Bracket - 800 Series	1	2
	42216-1	Bracket - 500, 605, 650 Series	1	2
13	124-135	Screw M8 x 20	4	8
	420-14	Nut M8	4	8
	460-10	Washer - Spring M8	4	8
14	280840-1	Pneumatic Cylinder	1	2
15	29149-1	Pin - Spares item only	1	2
16	39624	Spring Clip - Spares item only	1	2
17	273-20	Tube - Pneumatics Ø6 Blue	2m	4m
18	280424-1	Lever	1	2
19	40456-2	Bar	1	2
20	124-179	Screw M10 x 60	2	4
	460-11	Washer - Spring M10	2	4
21	124-208	Screw M12 x 45	1	2
	420-16	Nut M12	1	2
	460-12	Washer - Spring M12	1	2
22	42733-1	Bush	1	2
23	40442-12	Shaft	1	2
24	282577-1	Flap Plate	1	2
25	40516-1	Clip - Hairpin	2	4
26	277-47	Connector - located at pivot point at rear of subframe	2	4

Body Discharge - Hydraulic Hoses



Body Discharge - Hydraulic Hoses

Subframe - BoM 950714

Item No.	Part No.	Description
32	HC04001-352	Hydraulic Hose
33	HC04001-352	Hydraulic Hose

Body - BoM 950611, BoM 960611

Item No.	Part No.	Description
45	HC04001-146	Hydraulic Hose
46	HC06001-191	Hydraulic Hose
47	HC04002-95	Hydraulic Hose
48	HC04002-95	Hydraulic Hose

Body Prop - BoM 950720, BoM 960720

Item No.	Part No.	Description
49	HC04001-370	Hydraulic Hose
50	HC04001-370	Hydraulic Hose
51	HC04002-189	Hydraulic Hose
52	HC04002-155	Hydraulic Hose

Rear Door - BoM 950813

Item No.	Part No.	Description
53	HC04002-420	Hydraulic Hose
54	HC04002-420	Hydraulic Hose
55	HCO4002-28	Hydraulic Hose

Notes

* For hoses 02(VS) and 34 see Emergency Discharge Pump, chapter 28.

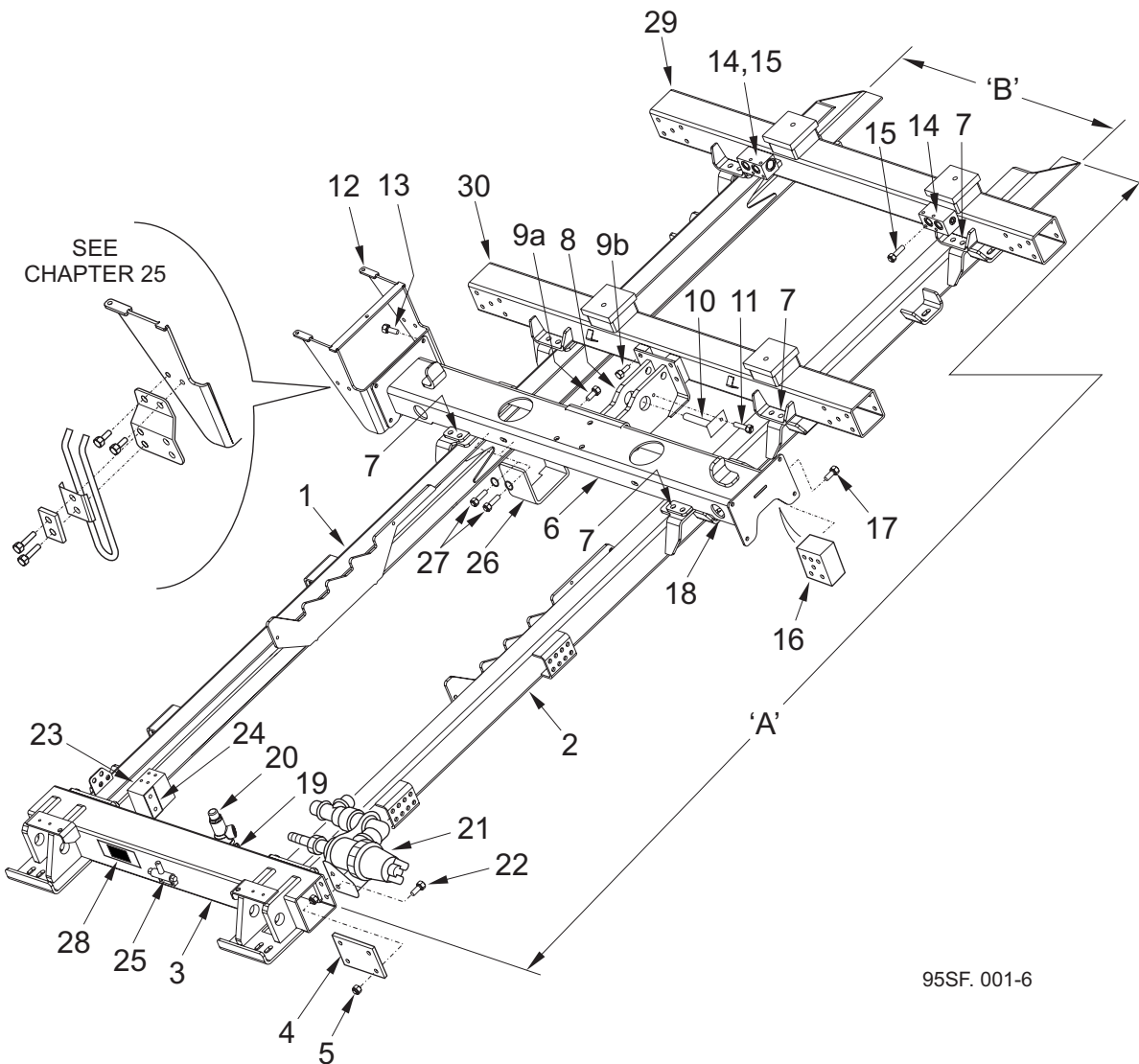
CHAPTER **21**

Subframe/Body Prop

Table of Contents

Section	Page
Subframe Subframe Assembly	21 : 2
Body Prop Auto Release Body Prop	21 : 5

Subframe Assembly



95SF.001-6

Dimension 'A' Side Rail Lengths

VT500 only = 3060

VT605/650/800 Short = 3245 Medium = 3635 *Long = 4085

Lengths are chassis dependent.

* Long rails used when additional water tank is fitted.

Dimension 'B' Side Rail Widths

Standard = 864, using outer fixing holes in Items 3, 6, 35, 36

Narrow = 790, using inner fixing holes in Items 3, 6, 35, 36

Subframe Assembly

Side Rails 940711 - 500 Series

Item No.	Part No.	Description	Quantity
1	294050-1	Side Rail LH	1
2	294051-1	Side Rail RH	1

Side Rails 950711 - 605, 650 Series

1	281512-1	Side Rail LH Short	1
	281512-2	Side Rail LH Medium	1
	281512-3	Side Rail LH Long	1
2	281513-1	Side Rail RH Short	1
	281513-2	Side Rail RH Medium	1
	281513-3	Side Rail RH Long	1

Side Rails 960711 - 800 Series

1	281759-1	Side Rail LH Short	1
	281759-2	Side Rail LH Medium	1
	281759-3	Side Rail LH Long	1
2	281758-1	Side Rail RH Short	1
	281758-2	Side Rail RH Medium	1
	281758-3	Side Rail RH Long	1

Crossmembers 950712, 960712

3	281511-1	Rear Pivot Member	1
4	281519-1	Stretch Plate	2
5	122-164	Bolt M14 x 45	8
	455-13	Washer - Plain M14	8
6	283680-1	Centre Crossmember	1
> 7	122-164	Bolt M14 x 45) Also Used	12
	404-17	Nut - Nyloc M14) with	12
	455-13	Washer - Plain M14) Items 29 and 30	24
8	283790-1	Body Tip Mount - 605, 650 Series	1
	283785-1	Body Tip Mount - 500, 800 Series	1
9a	124-203	Bolt M12 x 30	3
	455-12	Washer - Plain M12	3
	460-12	Washer - Spring M12	3
9b	124-199	Bolt M12 x 20	4
	460-12	Washer - Spring M12	4
10	42432-1	Pivot Pin	1
11	124-134	Screw M8 x 16	1
	460-10	Washer - Plain M8	1

Configuration 940713, 950713

			Single	Dual
12	280880-1	Bracket - Intake Seat	1	2
13	124-171	Screw M10 x 30	4	8
	460-11	Washer - Plain M10	4	8
	420-1	Nut M10	4	8

Subframe Assembly
Configuration 940713, 950713 - continued

Item No.	Part No.	Description	Quantity	
			Single	Dual
14	281548-1	Manifold - Hydraulic	1	2
15	124-147	Screw M8 x 60	2	4
	460-10	Washer - Spring M8	2	4
16	-	Shuttle/Exhaust Valve Block - See Chapter 26	-	2
17	124-102	Screw M6 x 16	-	4
	460-8	Washer - Spring M6	-	4
18	-	Regulator - See Chapter 26	2	4

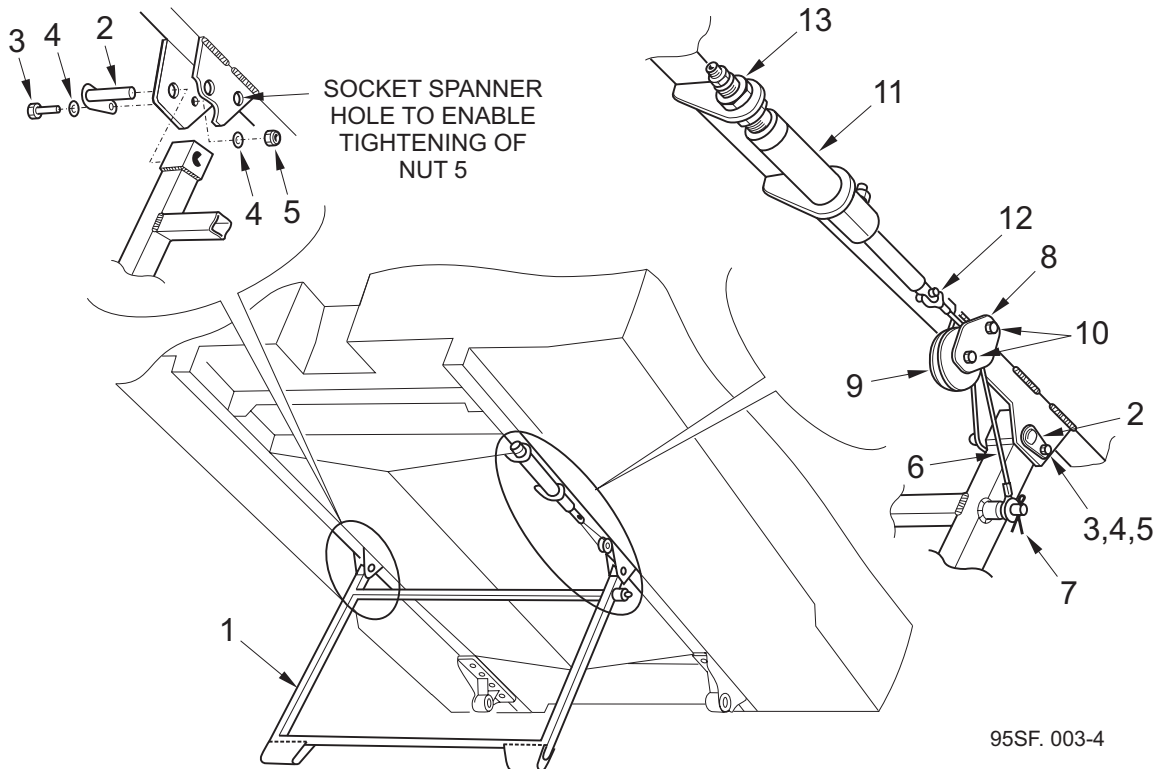
Services 950714

Item No.	Part No.	Description	Quantity	
			Single	Dual
19	-	Manifold - Water Relief Valve - See Chapter 30	1	
20	-	Water Relief Valve - See Chapter 30	1	
21	-	Water Filter Sub-Assembly - See Chapter 30	1	
22	124-137	Screw M8 x 25	2	
	455-10	Washer - Plain M8	2	
	425-14	Nut - Nyloc M8	2	
23	-	Sequence Valve - 12 volt) See	1	
	-	Sequence Valve - 24 volt) Chapter 28	1	
24	281952-1	Plate	1	
	124-121	Screw M6 x 90	2	
	460-8	Washer - Spring M6	1	
25	-	Wanderhose Water Manifold - See Chapter 30	1	
26	281653-1	Body Pump Bracket	1	
27	124-169	Screw M10 x 25	4	
	460-11	Washer - Spring M10	4	
	455-11	Washer - Plain M10	4	
28	806953-1	Serial Number Plate	1	

Various - See Chapter 22.CP

29	281283-1	Engine Beam Front - Reference	1	
30	281282-1	Engine Beam Rear - Reference	1	

Auto Release Body Prop



BoM 960720

Item No.	Part No.	Description	Quantity
1	200475-3 281022-1	Prop 500, 650 Series Prop - 800 Series	1
2	283445-1	Pivot Pin	2
3	124-137	Screw M8 x 25	2
4	455-10	Washer - Plain M8	2
5	425-14	Nut - Nyloc M8	2
6	21216-12	Cable	1
7	457-7 500-103	Washer - Large Ø14 Split Pin	1 1
8	94972-1	Plate Pulley	1
9	70484-1	Pulley	1
10	124-141 94971-1 420-14	Screw M8 x 35 Spacer Nut - Nyloc M8	2 2 2
11	29345-1	Cylinder	1
12	124-139 420-14	Screw M8 x 30 Nut - Nyloc M8	2 2
13	421-7	Nut Lock M20F	2

CHAPTER

22

Powapak

Table of Contents**Section****Iveco Engines**

Standard Power Engine	22.PA : 1
High Power Engine	22.PA : 11
Standard and High Power Common Parts	22.PA : 21

John Deere Engines

Standard Power Engine	22.PB : 1
High Power Engine	22.PB : 13
Standard and High Power Common Parts	22.PB : 21

VT and VS Powapak Tub and Components	22.PC : 9
---	-----------

VT and VS Fan Impellers and Fan Case	22.PD : 1
---	-----------

VT Transmission	22.PE : 1
------------------------	-----------

VS HydroDrive Transmission	22.PF : 1
-----------------------------------	-----------

VS Hydrostatic Components	22.PG : 1
----------------------------------	-----------

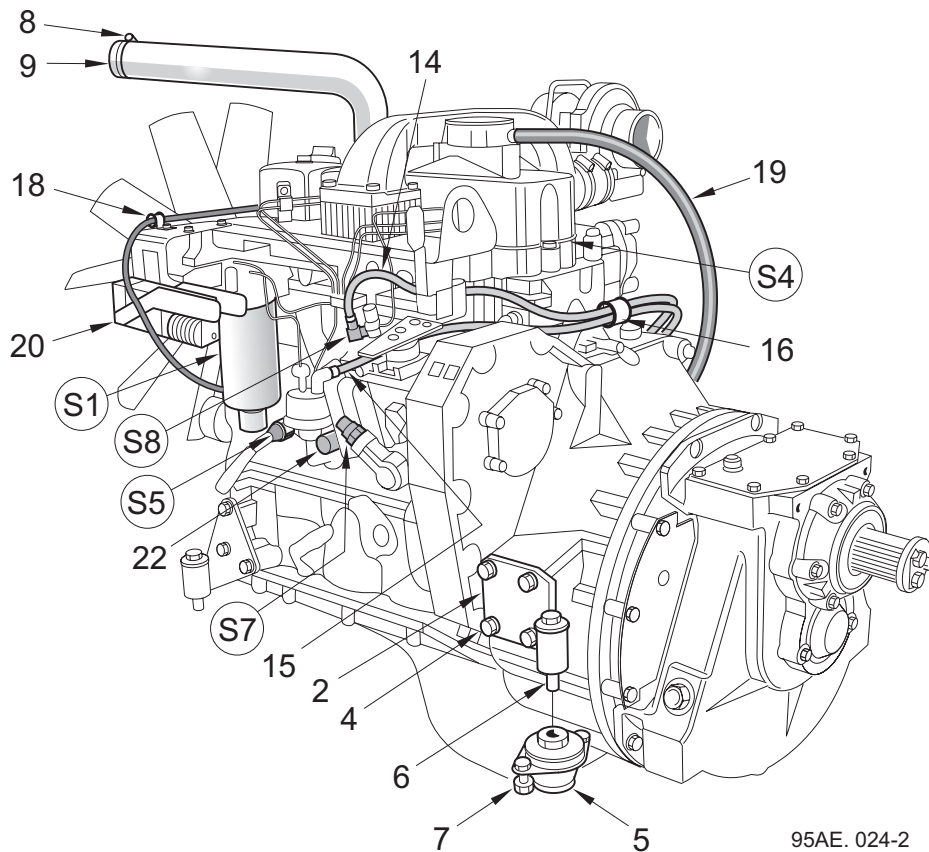
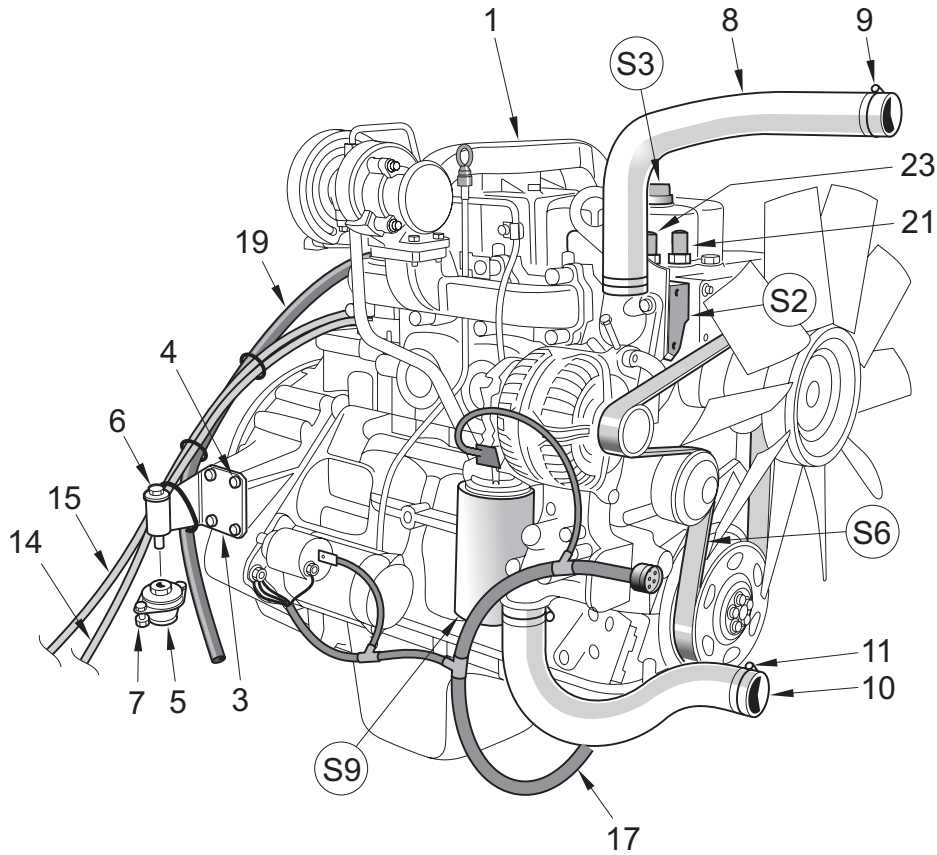
22.PA

Iveco Standard Power Engine

Table of Contents

Section	Page
Standard Power Engine	
Dressed Engine	22.PA : 2
Throttle Actuator	22.PA : 5
Ancillaries	22.PA : 6
Engine Management Box	22.PA : 8
Fuel Pre-Filter	22.PA : 10

Iveco Standard Power Dressed Engine and Spares Items



95AE. 024-2

Iveco Standard Power Dressed Engine and Spares Items

BoM 950511

Item No.	Part No.	Description	Quantity
1	283850-24	Engine - Iveco N45MNS S3a 24v 66kW	
2	282460-1	L.H. Rear Engine Mount	1
3	282460-2	R.H. Rear Engine Mount	1
4	124-205	Screw M12 x 35	8
	460-12	Washer Spring	8
5	22826-1	Mount - Metacone	2
6	123-154	Bolt M12 x 80	2
	460-12	Washer - Spring	2
	457-6	Washer - Plain	2
7	124-171	Screw M10 x 30	4
	460-11	Washer - Spring	4
	420-15	Nut M10	4
8	282467-1	Radiator Hose - Top	1
9	501-5	Hose Clip	2
10	282468-1	Radiator Hose - Bottom	1
11	501-6	Hose Clip	2
12	282595-1	Exhaust Inlet	1
13	124-137	Screw M8 x 25	4
	460-10	Washer - Spring	4
14	282667-1	Fuel Line - Feed	1
	501-104	Clip	1
15	282668-1	Fuel Line - Return	1
	501-104	Clip	1
16	664-8	Pipe Clamp 1"	1
	124-99	Screw M6 x 10	1
	460-8	Washer - Spring	1
17	282042-1	Engine Loom	1
18	508-4	'P' Clip	1
19	496-P02	Breather Pipe	1
	501-3	Hose Clip	1
20	-	Throttle Actuator - See over page	1
21	845-162	Water Temperature Sensor	1

KT00695 - Optional Oil Pressure / Water Temperature Gauge Pack

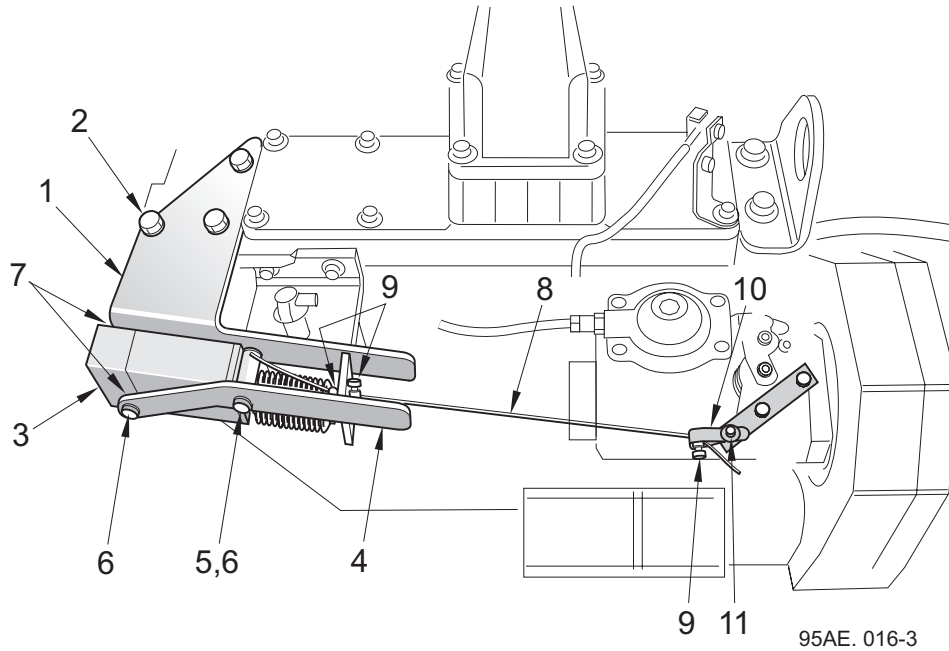
22	87-16	Oil Pressure Sender	1
	283215-1	Adaptor	1
	80-43	'O' Ring	1
23	87-54	Water Temperature Sender	1
	282043-1	Gauge Sender Loom (Not Shown)	1
	282740-1	Water Temp./ Oil Press. Gauge - See Powapak Control Panels, Chapter 32	

Iveco Standard Power Dressed Engine and Spares Items**Spares Items**

S1	845-144	Fuel Filter
S2	845-145	Thermostat
	845-146	Thermostat Seal
S3	845-151	Oil Filler Cap
	845-152	Oil Filler Seal
S4	845-147	Rocker Cover Gasket
S5	281942-1	Oil Pressure Switch
	283215-1	Adaptor
	80-43	'O' Ring
S6	845-158	Alternator/Fan Belt
S7	845-195	ESOS Valve 24V
S8	845-194	KSB Solenoid 24V
S9	-	Oil Filter - See 22.PA Common Parts Section

Notes

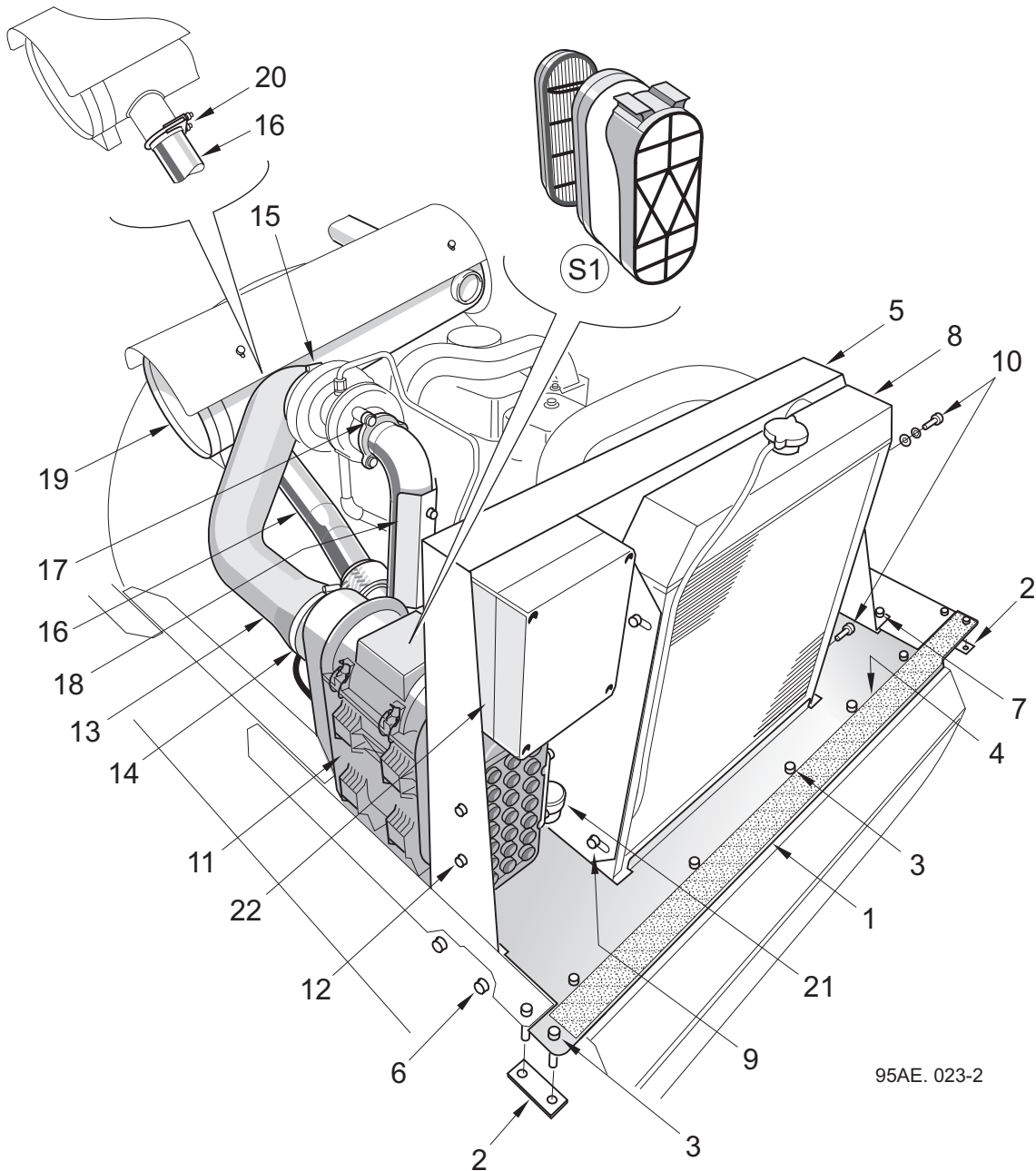
Throttle Actuator - Iveco Standard Power Engine



BoM 950511

Item No.	Part No.	Description	Quantity
1	283150-1	Actuator Mount	1
2	124-167	Screw M10 x 20	2
	460-11	Washer - Spring	2
3	281729-2	Actuator Assembly 24v	1
4	281707-1	Actuator Side Plate	1
5	42774-4	Spacer x 36 Long	1
6	124-102	Screw M6 x 16	4
	460-8	Washer - Spring	4
7	455-8	Washer - Plain. Act as spacers between Actuator/Mount and Actuator/Side Plate	3
8	281728-1	Throttle Cable	1
9	38-32	Solderless Nipple	3
10	837-47	Fork	1
11	837-48	Pin	1
	837-49	Split Pin	1

Ancillaries - Iveco Standard Power Engine



Ancillaries - Iveco Standard Power Engine

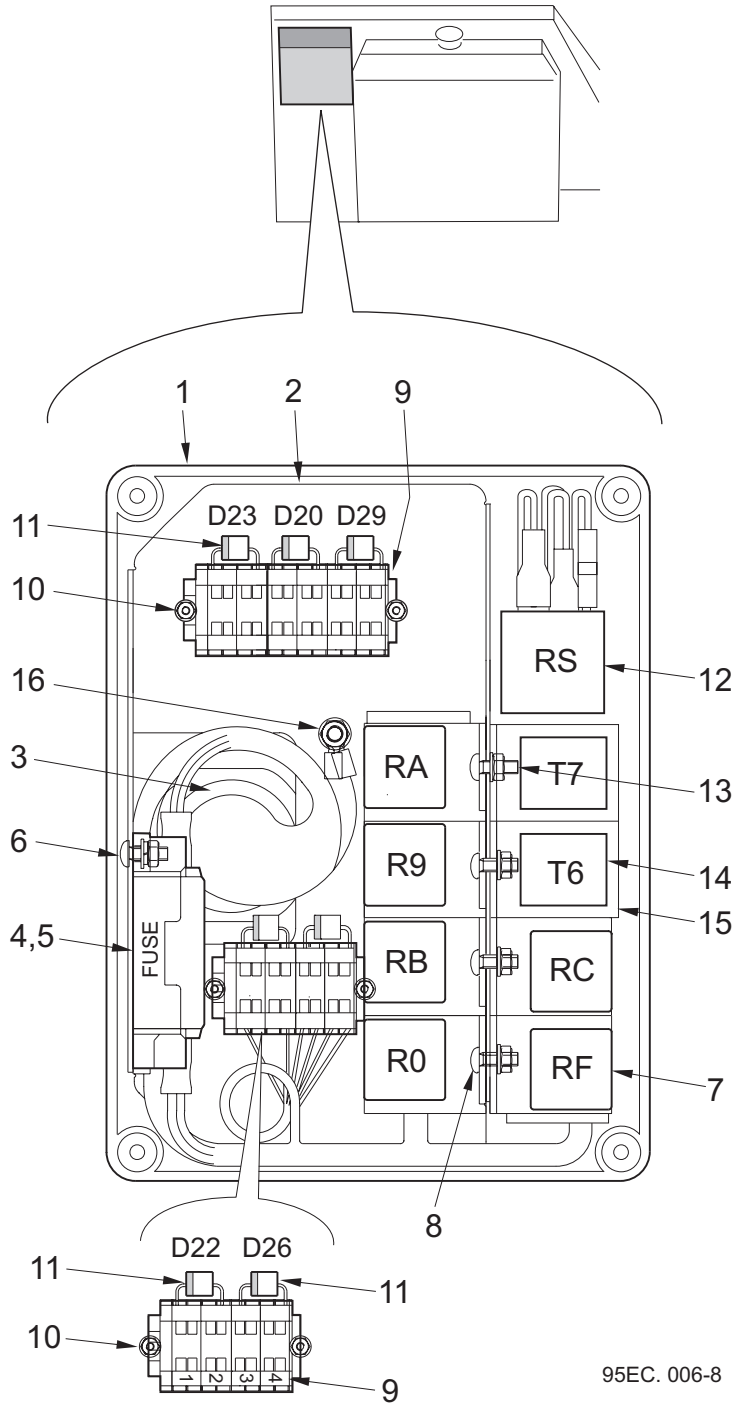
BoM 950511

Item No.	Part No.	Description	Quantity
1	281562-2	Walkway	1
2	281600-1	Support Strip	2
3	138-125	Screw - Button Head M8 x 25	9
	455-10	Washer - Plain	4
	425-14	Nut - Nyloc M8	4
4	211-12	Anti - Slip Surface x 0.03m	1
5	295115-1	Radiator Shroud	1
6	124-167	Screw M10 x 20	2
	460-11	Washer - Spring	2
7	124-167	Screw M10 x 20	2
	425-15	Nut - Nyloc M10	2
8	200923-1	Radiator	1
9	124-166	Screw M10 x 16	2
	460-11	Washer - Spring	2
	455-11	Washer - Plain	2
10	124-169	Screw M10 x 25	2
	460-11	Washer - Spring	2
	455-11	Washer - Plain	2
11	295095-1	Air Cleaner	1
12	124-137	Screw M8 x 25	4
	460-10	Washer - Spring	4
	455-10	Washer - Plain	4
13	295048-1	Air Intake Pipe	1
14	507-6	Hose Clamp 95-118mm	1
15	507-4	Hose Clamp 70-92mm	1
16	295067-1	Exhaust Inlet Pipe	1
17	124-135	Screw M8 x 20	3
	460-10	Washer - Spring	3
18	295071-1	Heat Shield	1
	124-100	Screw M6 x 12	2
	457-2	Washer - Plain	2
	460-8	Washer - Spring	2
19	295066-1	Silencer	1
20	6645-14	Exhaust Clip 2 3/4"	1
21	-	Restriction Indicator - See 22.PA Common Parts Section	1
22	-	Engine Management Box - see over page	

Air Filter Spares

S1 - Main Element

Engine Management Box - Standard Power

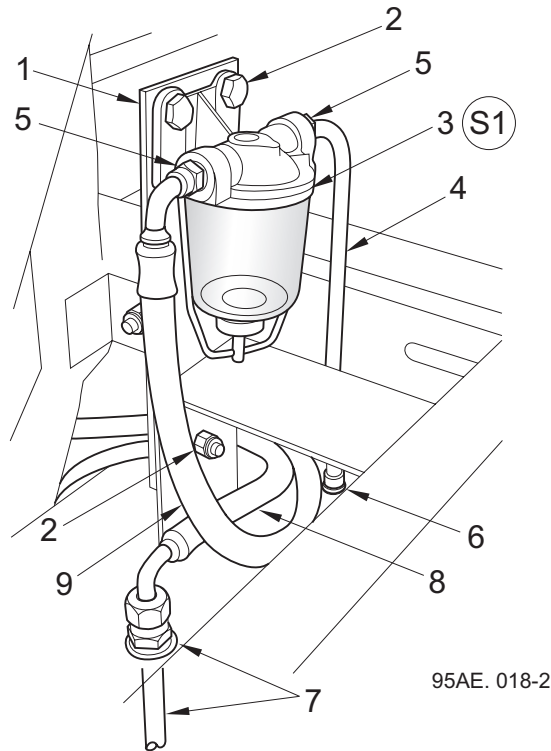


Engine Management Box - Standard Power

BoM 950511

Powapak Parts

Item No.	Part No.	Description	Quantity
	282134-1	Engine Management Box 24v comprising:-	
1	282122-1	Box and Lid	1
	134-44	Screw Pan Head M4 x 20	4
	425-11	Nut-Nyloc M4	4
2	282125-1	Mounting Plate	1
3	710-67	HDP 31 Way Socket Housing	1
	710-70	Jam Nut	1
	281545-2	Sealing Washer	1
4	30-267	Fuse Holder	1
5	30-268	Midi Link 30 Amp	1
6	134-43	Screw M4 x 16	2
	455-5	Washer Plain	2
	425-11	Nut Nyloc M4	2
7	48-89	Relay Base	6
	12926	Relay 24 x Type 6RA	6
8	134-42	Screw Pan Head M4 x 12	2
	455-5	Washer - Plain	2
	425-11	Nut - Nyloc M4	2
9	30-256	4 Way Terminal Block	10
	30-254	End Plate - Terminal Block	2
10	134-12	Screw Pan Head M3 x 10	4
	455-3	Washer - Plain	4
	425-10	Nut - Nyloc M3	4
11	13984	Diode 6 Amp	5
12	48-34	Relay 12v	1
	48-36	Relay 24v	1
13	134-42	Screw Pan Head M4 x 12	4
	460-5	Washer - Spring	4
	420-11	Nut M4	4
14	13981	Timer Relay 12v	2
	13982	Timer Relay 24v	2
	13983	Relay Base	2
15	283198-1	Timer Relay Bracket	2
16	124-39	Screw M4 x 20	1
	460-5	Washer - Spring	1
	420-11	Nut M4	1
	455-5	Washer - Plain	1
	425-11	Nut - Nyloc M4	1

Fuel Pre-Filter Installation - Standard Power

BoM 950511

Item No.	Part No.	Description	Quantity
1	42295-1	Mounting Plate	1
2	124-135	Screw M8 x 20	4
	425-14	Nut-Nyloc M8	4
3	15314-1	Pre-Filter	1
4	42683-4	Fuel Pipe	1
5	25977-1	Nut - Sleeve	2
	511-4	Olive	2
6	40448-1	Adaptor	1
	451-17	Washer - Sealing	1
	510-4	Nut - Sleeve	1
	511-4	Olive	1
7	283938-1	Fuel Return Pipe	1
	451-17	Washer - Sealing	1
8	282668-1	Return Hose	1
9	282667-1	Feed Hose	1
Spares Items			
S1	15314-1	Pre-Filter (Item 3)	

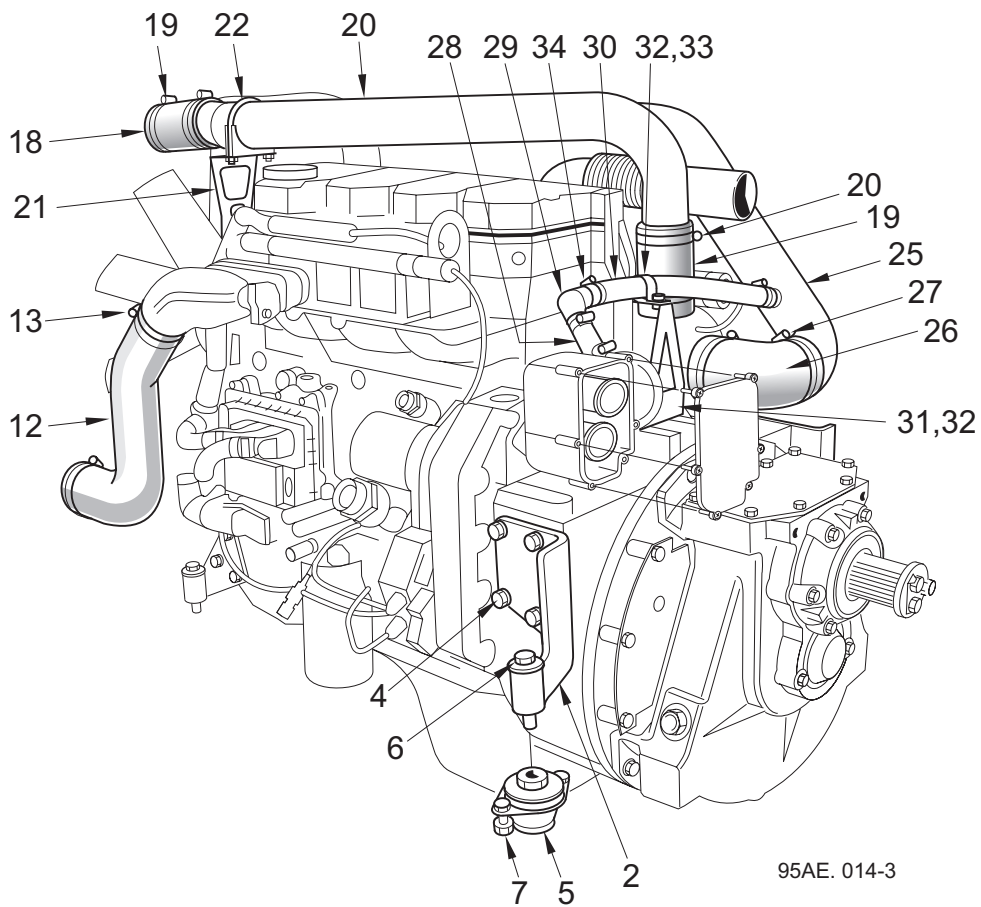
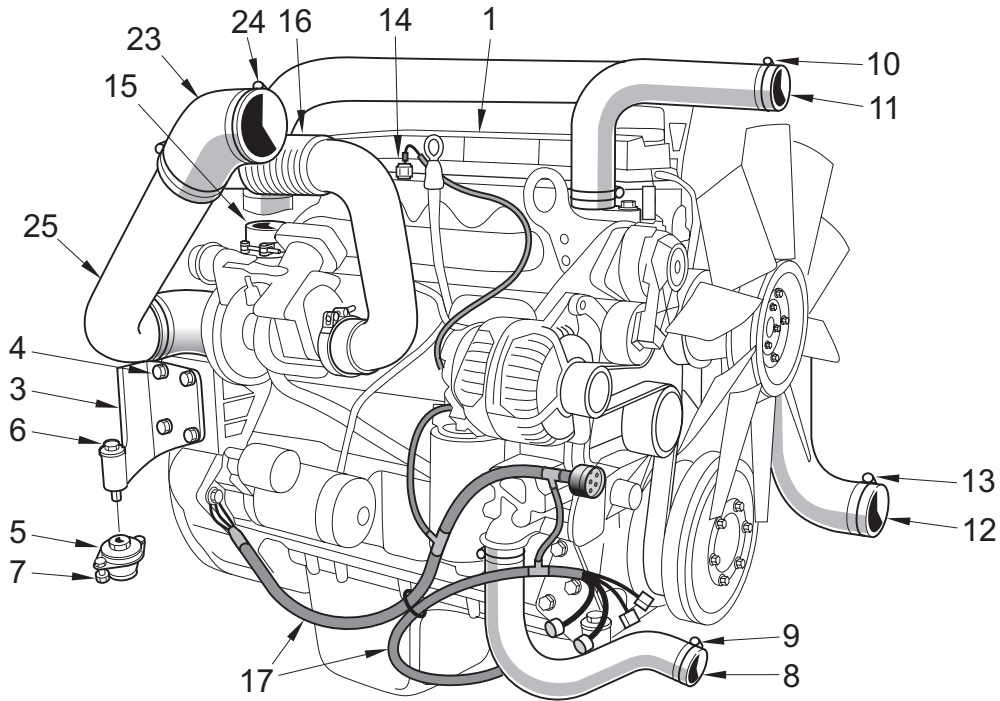
22.PA

Iveco High Power Engine

Table of Contents

Section	Page
High Power Engine	
Dressed Engine	22.PA : 12
Spares Items	22.PA : 14
Ancillaries	22.PA : 16
Engine Management Box	22.PA : 18
Fuel Pre-Filter Installation	22.PA : 20

Iveco High Power Dressed Engine



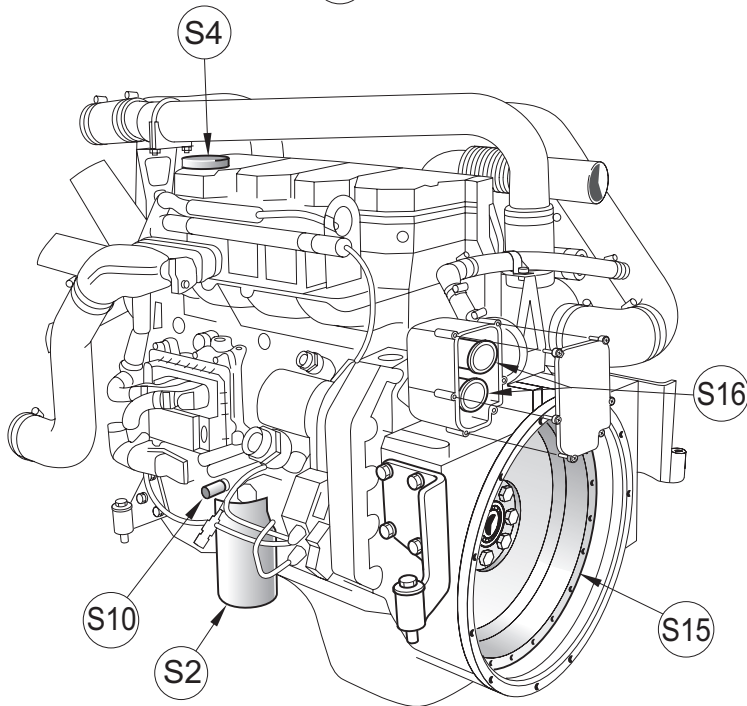
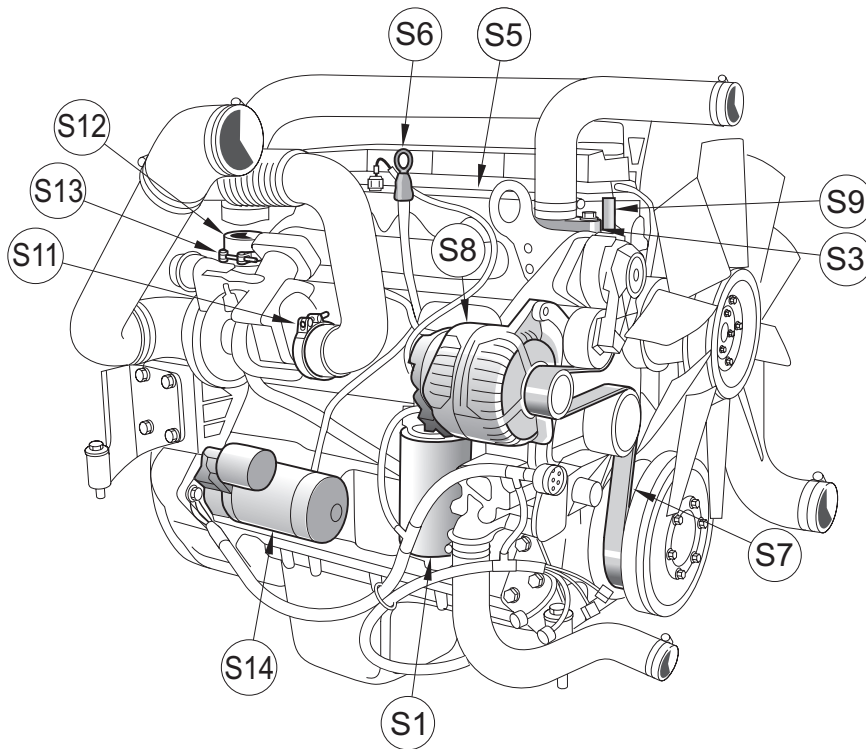
95AE. 014-3

Iveco High Power Dressed Engine

BoM 950511/012

Item No.	Part No.	Description	Quantity
1	283805-24	Engine - Iveco N45ENTX S3a 24v 104kW	
2	281450-1	L.H. Rear Engine Mount	1
3	281450-2	R.H. Rear Engine Mount	1
4	124-205	Screw M12 x 35	8
	460-12	Washer - Spring	8
5	22826-1	Mount - Metacone	2
6	123-154	Bolt M12 x 80	2
	460-12	Washer - Spring	2
	457-6	Washer - Plain	2
7	124-171	Screw M10 x 30	4
	460-11	Washer - Spring	4
	420-15	Nut M10	4
8	281506-1	Radiator Hose - Bottom	1
9	501-5	Hose Clip	2
10	281507-1	Radiator Hose - Top	1
11	501-6	Hose Clip	2
12	281561-1	CAC Hose	1
13	501-7	Hose Clip	2
14	87-59	Switch - Water Temperature	1
	845-216	Insert	1
	845-217	Washer - Copper	1
15	283859-1	Turbocharger Charge Air Outlet Adaptor	1
16	281417-1	Exhaust Inlet Pipe	1
17	283851-1	Engine Loom 24v	1
18	271-38	Cuff	2
19	501-6	Hose Clip	4
20	295480-1	Charge Air Pipe	1
21	281708-1	Pipe Support	1
	124-166	Screw M10 x 16	2
	460-11	Washer - Spring	2
22	6645-12	Exhaust Clip 2 1/2"	1
23	904-51	Rubber Elbow 45°	1
> 24	507-4	Hose Clip	2
25	295415-1	Induction Air Tube	1
26	904-8	Rubber Elbow 90°	1
> 27	507-4	Hose Clip	2
28	497-P02	Hose 3/4" x 0.06	1
29	231-42	Elbow 3/4"	1
30	497-P02	Hose 3/4" x 0.45	1
31	281939-1	Bracket	1
32	124-99	Screw M6 x 10	3
	460-8	Washer - Spring	3
	420-13	Nut M6	1
33	664-8	Pipe Clamp 1"	1
34	501-3	Hose Clip	4

Iveco High Power Engine - Spares Items



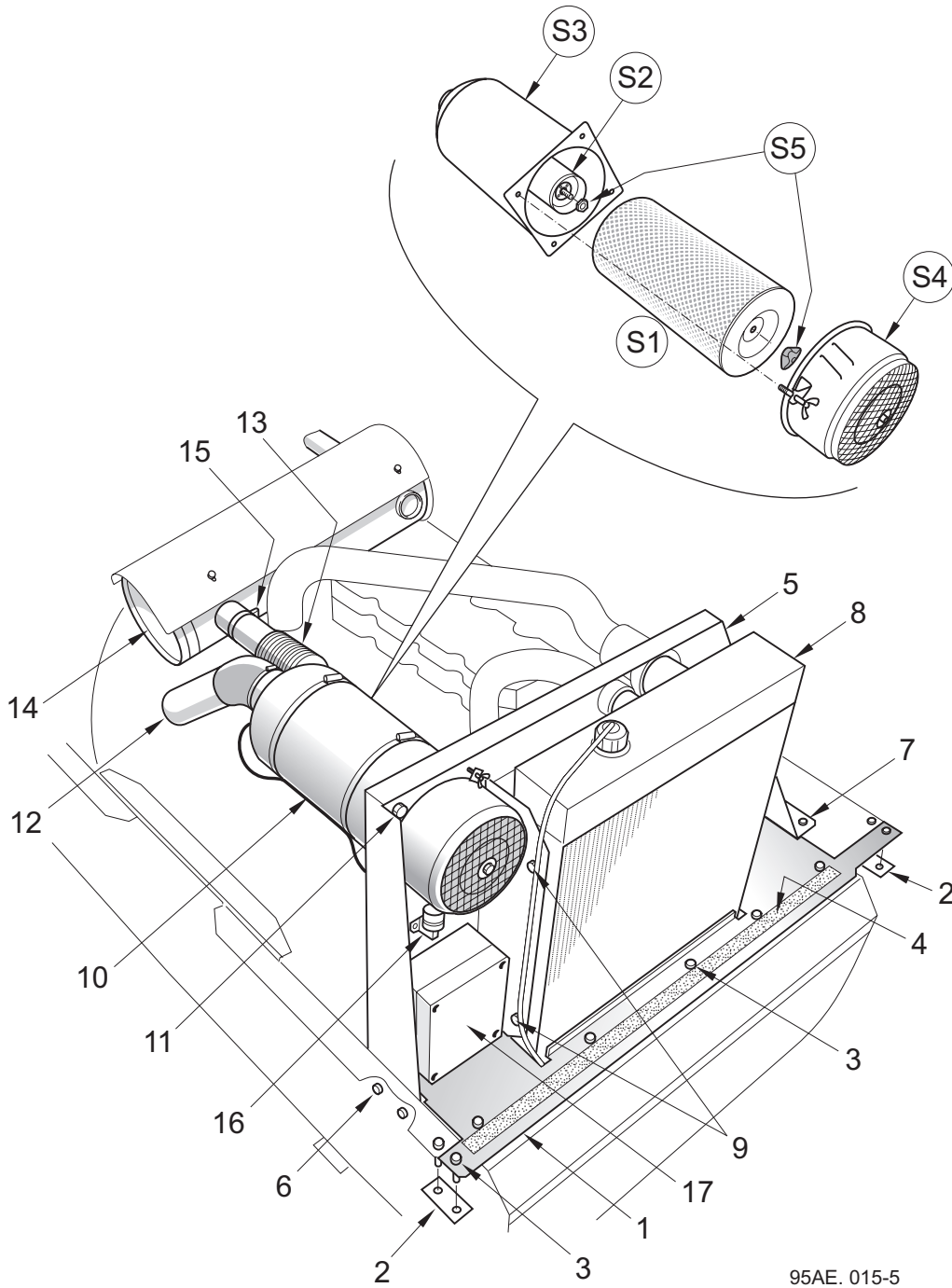
95AE. 022-3

Iveco High Power Engine - Spares Items

	Item No.	Part No.	Description
>	S1	-	Oil Filter - See 22.PA Common Parts Section
	S2	845-101	Fuel Filter
	S3	845-153	Thermostat
		845-146	Thermostat Seal
	S4	845-149	Oil Filler Cap
	S5	845-150	Rocker Cover Gasket
	S6	845-148	Oil Level Dipstik
	S7	845-142	Alternator/Fan Belt
>	S8	-	Alternator 28v - See 22.PA Common Parts Section
	S9	845-161	Water Temp. Sensor
	S10	845-160	Oil Sensor
	S11	845-108	Clamp
	S12	845-109	'O' Ring - Used with item 15
	S13	845-110	Clamp
>	S14	-	Starter Motor 24v - See 22.PA Common Parts Section
	S15	-	Flywheel
>		-	Starter Ring Gear - See 22.PA Common Parts Section
	S16	845-183	Blow-By Filter Kit

Notes

Ancillaries - Iveco High Power Engine



95AE. 015-5

Ancillaries - Iveco High Power Engine

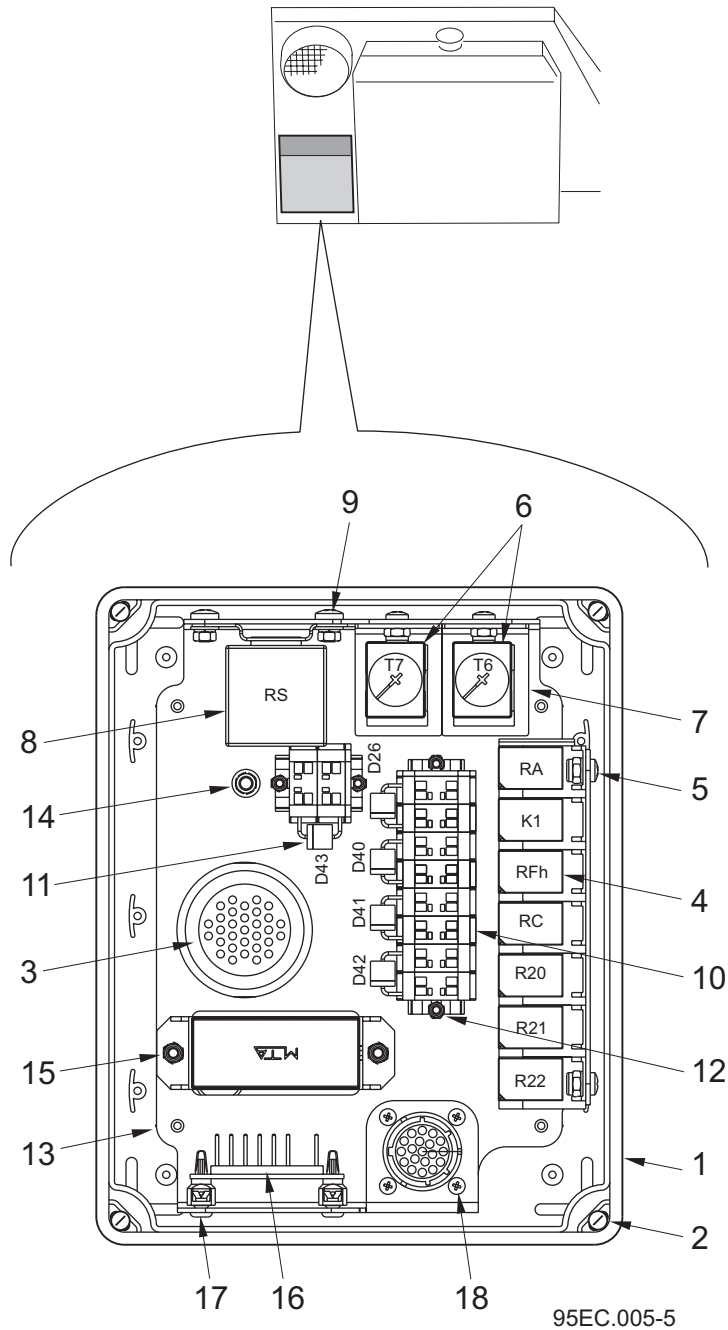
BoM 950511

Item No.	Part No.	Description	Quantity
1	281562-2	Walkway	1
2	281600-1	Support Strip	2
3	135-69	Screw - Button Head M8 x 25	9
	455-10	Washer - Plain	4
	425-14	Nut - Nyloc M8	4
4	211-12	Anti - Slip Surface x 0.03m	1
5	281455-1	Radiator Shroud	1
6	124-167	Screw M10 x 20	2
	460-11	Washer - Spring	2
7	124-167	Screw M10 x 20	2
	425-15	Nut - Nyloc M10	2
8	281570-1	Radiator / Intercooler	1
9	124-166	Screw M10 x 16	4
	460-11	Washer - Spring	4
	455-11	Washer - Plain	4
10	280850-1	Combi Filter Assembly	1
11	124-167	Screw M10 x 20	2
	460-11	Washer - Spring	2
12	-	Induction Air Tube and Fittings) See Dressed	
13	-	Exhaust Inlet Pipe) Engine	
14	281418-1	Silencer	1
> 15	6645-15	Exhaust Clip Ø65	1
16	-	Restriction Indicator - See 22.PA Common Parts Section	
17	-	Engine Management Box - See over page	

Air Filter Spares

S1	280850-2	Main Element
S2	280850-3	Safety Element
S3	280850-4	Housing
S4	280850-5	Wing Bolt Kit - Metric
S5	280850-6	Element Nut Kit - Imperial

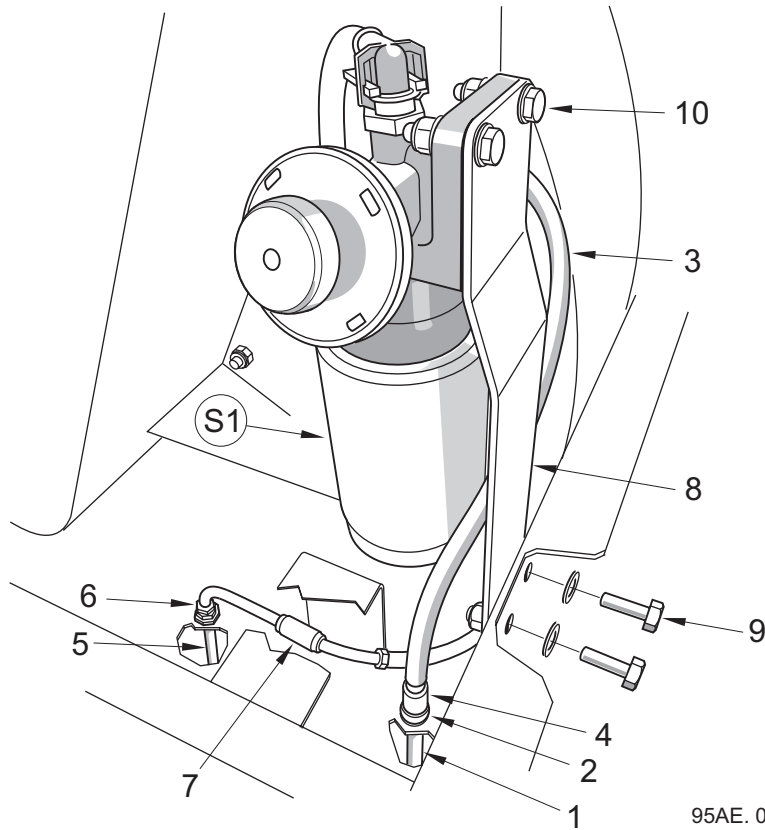
Engine Management Box - Iveco High Power Engine



Engine Management Box - Iveco High Power Engine

BoM 950511

Item No.	Part No.	Description	Quantity
	283852-1	Engine Management Box 24v comprising:-	
1	283848-1	Box and Lid	1
2	134-44	Screw - Pan Head M4 x 20	4
	425-11	Nut - Nyloc M4	4
3	283857-1	Engine Management Box Loom	1
4	725-153	Micro Relay 24v 10/5 Amp	7
5	134-40	Screw Pan Head M4 x8	2
	455-7	Washer - Plain	2
	460-7	Washer - Spring	2
	420-12	Nut M4	2
6	13982	Timer Relay 24v	2
7	283198-1	Timer Support	2
8	48-36	Relay 24v	1
9	134-55	Screw - Pan Head M5 x 8	2
	460-7	Washer - Spring	2
	455-7	Washer - Plain	2
	420-12	Nut M5	2
10	30-256	4 Way Terminal Block	10
	30-254	End Plate	2
11	13984	Diode 6 Amp	5
12	134-13	Screw Pan Head M3 x 12	4
	425-10	Nut - Nyloc M3	4
13	283894-1	Support Frame	1
14	134-60	Screw - Pan Head M5 x 25	1
	455-7	Washer - Plain	
	425-12	Nut - Nyloc M5	
15	134-41	Screw - Pan Head M4 x 10	2
	425-11	Nut - Nyloc M4	2
16	282130-1	Resistor Board	1
	30-280	Board Support	4
17	30-281	Snap Rivet	4
18	134-12	Screw - Pan Head M3 x 10	4

Fuel Pre-Filter Installation - Iveco High Power Engine


95AE. 013-2

BoM 950511

Item No.	Part No.	Description	Quantity
1	281487-1	Suction Pipe	1
2	451-17	Washer - Sealing 1/4" BSP	1
3	282488-1	Fuel Hose	1
4	277-85	Straight Connector x Ø10	1
5	42683-3	Return Pipe	1
6	40448-1	Adaptor 1/4" BSP x Ø8	1
	451-17	Washer - Sealing 1/4" BSP	1
	510-4	Tubing Nut Ø8	1
	511-4	Tubing Sleeve Ø8	1
7	277-48	Straight Connector x Ø8	1
8	284029-1	Mounting Plate	1
9	124-171	Screw M10 x 30	2
	460-11	Washer - Spring	2
	420-15	Nut M8	2
10	124-139	Screw M8 x30	2
	460-10	Washer Spring	2
	420-14	Nut M8	2

Spares Items

>	SI	845-206	Fuel Pre-Filter
---	----	---------	-----------------

22.PA

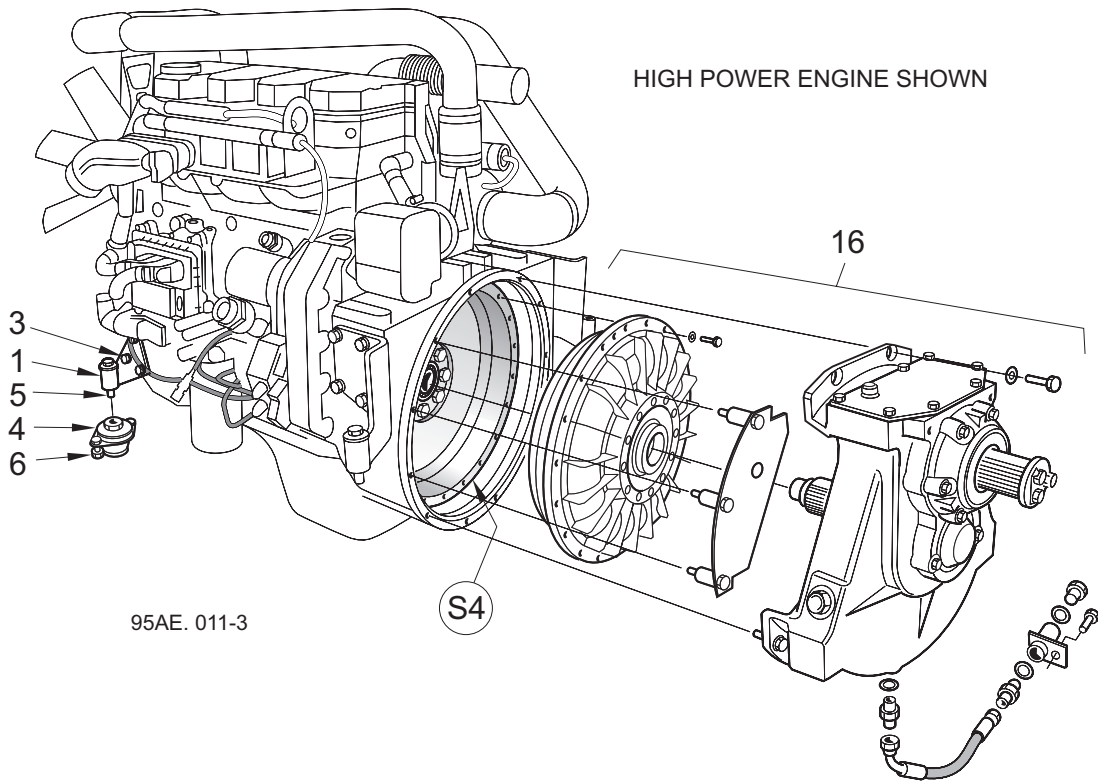
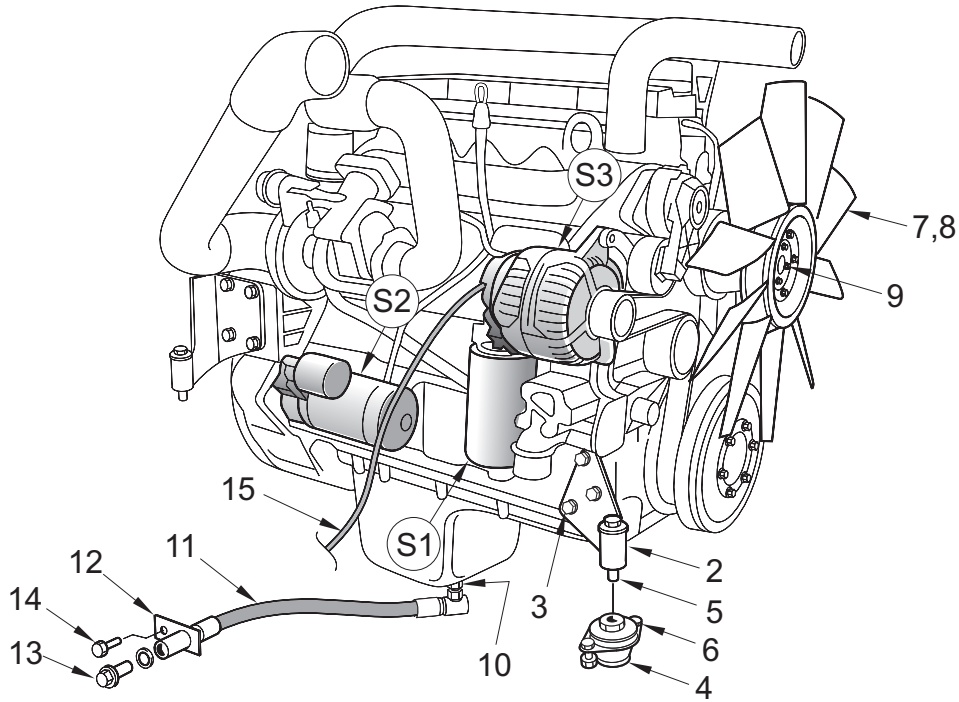
Common Parts

Iveco Standard and High Power Engines

Table of Contents

Section	Page
Engine	
Engine and Transmission	22.PA : 22
Exhaust Components	22.PA : 24
P.T.O. Pumps	22.PA : 26
Pump Installations	22.PA : 27
Filter State Indicator	22.PA : 28

Common Parts - Iveco Standard and High Power Engines



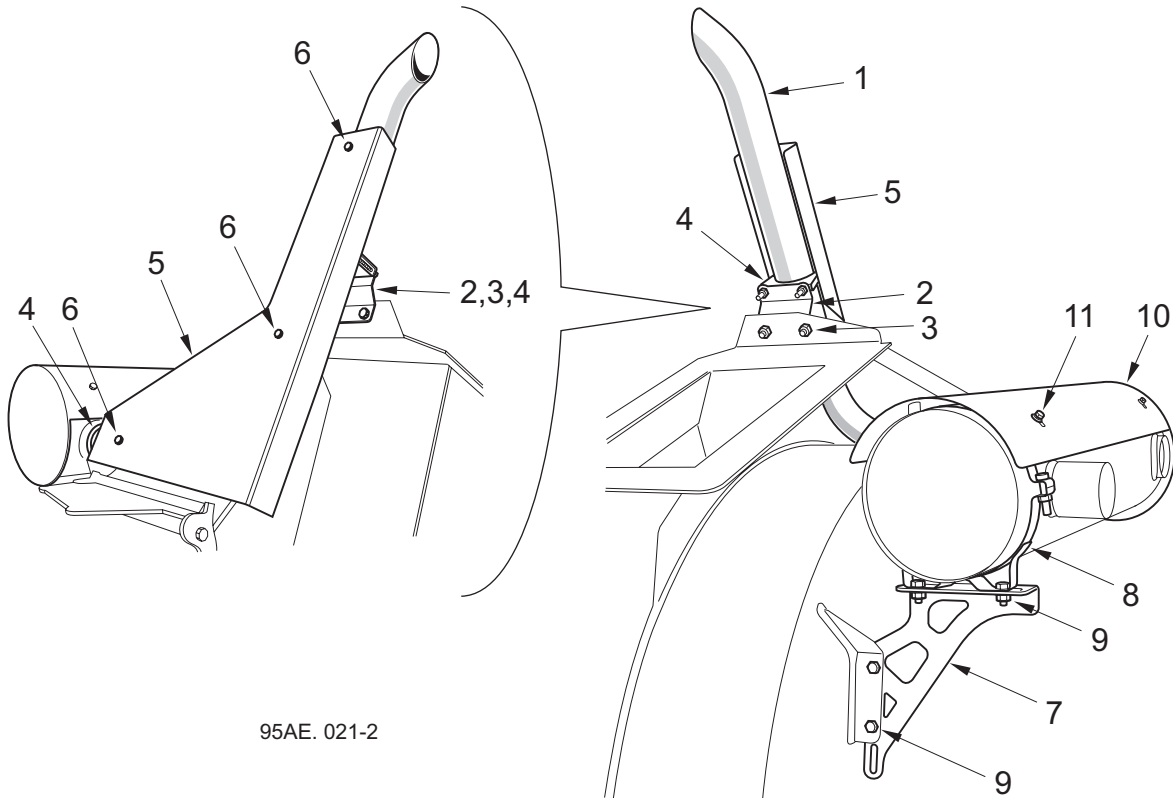
Common Parts - Iveco Standard and High Power Engines

BoM 950511

Item No.	Part No.	Description	Quantity
1	281448-1	L.H. Front Engine Mount	1
2	281448-2	R.H. Front Engine Mount	1
3	124-205	Screw M12 x 35	6
	460-12	Washer - Spring	6
4	6953	Mount - Metacone	2
5	123-154	Bolt M12 x 80	2
	460-12	Washer - Spring	2
	457-6	Washer - Plain	2
6	124-171	Screw M10 x 30	4
	460-11	Washer - Spring	4
	420-15	Nut M10	4
7	281-7	Cooling Fan	1
8	281458-1	Cooling Fan Spacer	1
9	129-166	Cap Screw M10 x 70	4
	460-11	Washer - Spring	4
10	282513-1	Adaptor M22 x 3/4"	1
	282513-2	'O' Ring	1
11	HE12003-57	Hose	1
12	62903-1	Drain - Engine	1
13	7684-1	Collar Plug 1/2" BSP Brass	1
	451-19	Washer Sealing	1
14	124-167	Screw M10 x 20	1
	460-11	Washer - Spring	1
	420-15	Nut M10	1
15	282034-3	Alternator Cable	1
16	-	Fluid Coupling and Fan Drive Gearbox - See VT Transmission Section 22.PE	

Spares Items

S1	845-100	Oil Filter
S2	845-103	Starter Motor 24v
S3	845-104	Alternator 28v
S4	-	Flywheel
	845-159	Starter Ring Gear

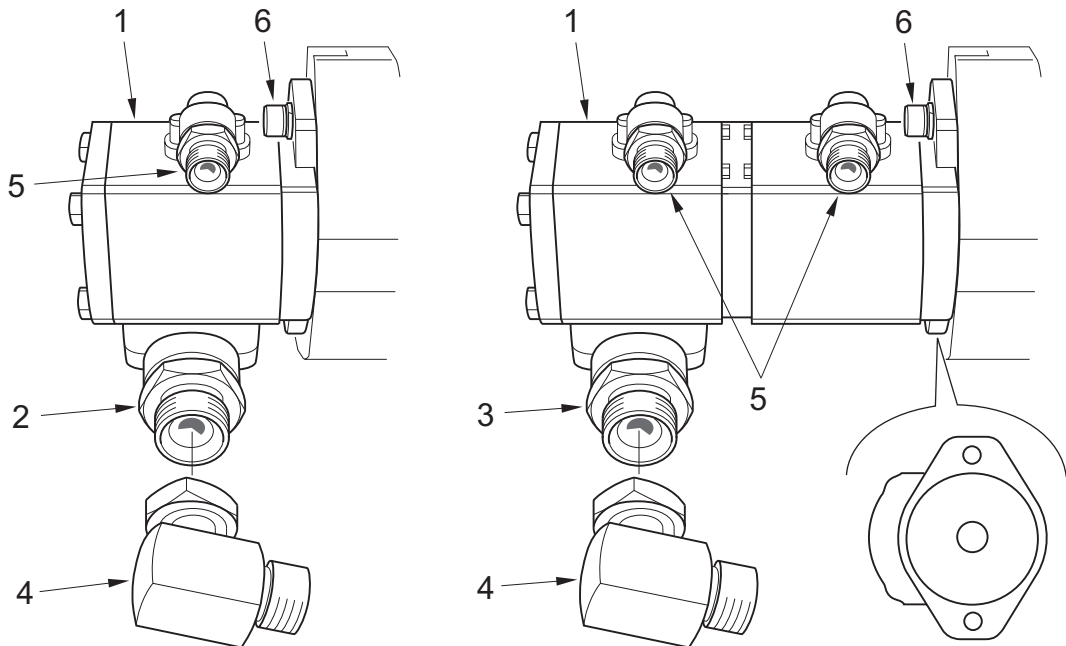
Common Parts - Exhaust Components

BoM 950520 and 960520

Item No.	Part No.	Description	Quantity
1	42649-3	Tailpipe - VT 500, 605	1
	42649-1	Tailpipe - VT 650	1
	281946-1	Tailpipe - VT 800	1
2	200063-1	Support - VT 500, 605, 650	1
	281945-1	Support - VT 800	1
3	124-169	Screw M10 x 25	2
	455-11	Washer - Plain	2
	426-5	Nut - Philidas M10	2
> 4	6645-13	Exhaust Clamp 2 5/8"	2
5	42647-1	Heat Sheild	1
6	124-100	Screw M6 x 12	3
	460-8	Washer - Spring	3

Common Parts - Exhaust Components**BoM 950511**

Item No.	Part No.	Description	Quantity
7	295444-1	Mount	1
8	903-9	Mounting Band	1
9	124-135	Screw M8 x 20	4
	457-4	Washer - Plain	4
	460-10	Washer - Spring	4
	420-14	Nut M8	4
10	281704-1	Heat Shield	1
11	124-100	Screw M6 x 12	4
	457-2	Washer - Plain	4
	460-8	Washer - Spring	4

Notes

P.T.O. Pumps - Iveco Engines


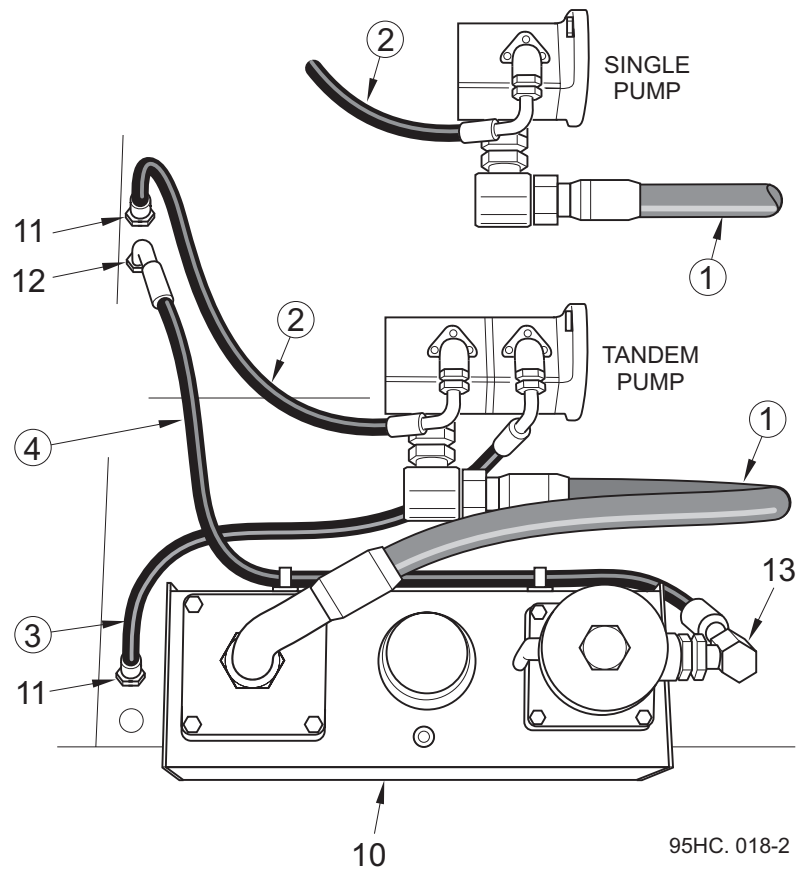
95HC. 019-6

 IDENTIFICATION -
FLANGE PROFILE

BoM 950514

Item No.	Part No.	Description	Quantity	
			Single	Tandem
1	239-27	Pump - Single	1	-
	239-34	Pump - Tandem	-	1
2	265-16	Adaptor 1 1/4" x 3/4"	1	-
	451-21	Washer - Sealing 3/4"	1	-
3	263-8	Adaptor 1 1/4"	-	1
	451-111	Washer - Sealing 1 1/4"	-	1
4	262-8	Swivel Elbow 1 1/4" x 90°	1	1
5	263-4	Adaptor 1/2"	1	2
	451-19	Washer - Sealing 1/2"	1	2
6	129-156	Screw Cap Skt Head M10 x 30	2	2
	460-11	Washer - Spring	2	2

PTO Pump Installations - Iveco Engines

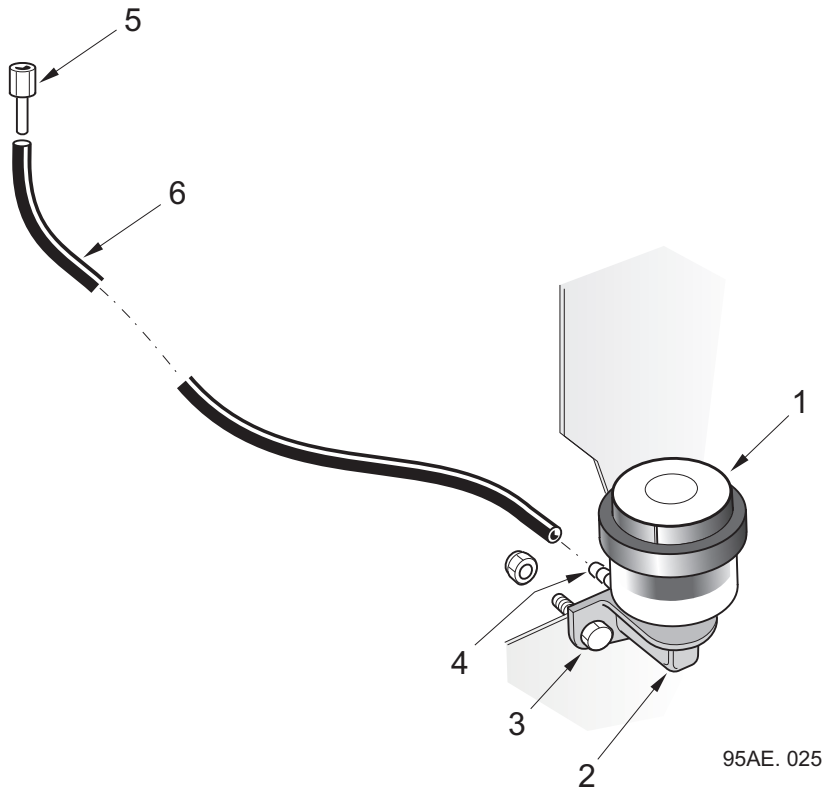


BoM 950515

Item No.	Part No.	Description	Quantity	
			Single	Tandem
1*	HX 20002-94	Suction Hydraulic Hose	1	1
2*	HCO8002-108	Sweep Systems Hydraulic Hose	1	1
3*	HCO8002-91	Auxiliary Systems Hydraulic Hose	1	
4*	HE12001-122	Tank Return Hydraulic Hose	1	1
5-9	-			
10	-	Hydraulic Tank - See chapter 28		
11	264-4	1/2" Bulkhead Adaptor + Locknut	2	2
12	264-6	3/4" Bulkhead Adaptor + Locknut	1	1
13	262-6	Swivel Elbow 3/4"	1	1

Notes

*Hose item numbers correspond with those in Hydraulic diagrams SH521a01 and SH531a01 in Chapter 8.

Common Parts - Filter State Indicator

BoM 950511

Item No.	Part No.	Description	Quantity
1	904-55	Restriction Indicator	1
2	904-59	Mount	1
3	124-103	Screw M6 x 20	2
	457-2	Washer - Plain	2
	425-13	Nut - Nyloc M6	2
4	904-56	Connector	1
5	904-58	Adaptor	1
6	12870	Nylon Tube - Black Ø8 x 0.8m	1

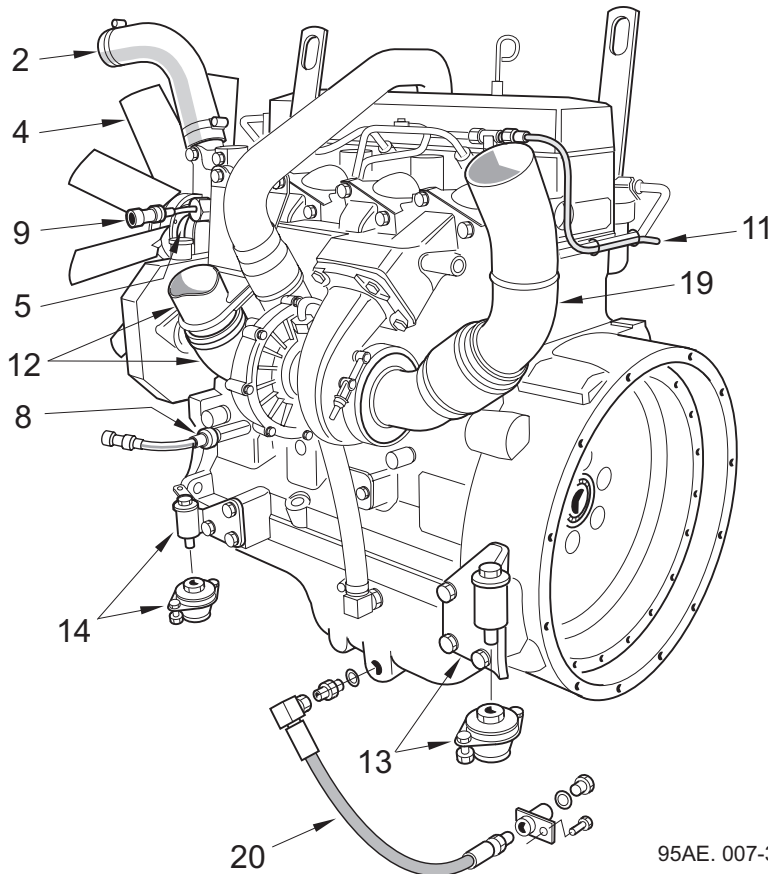
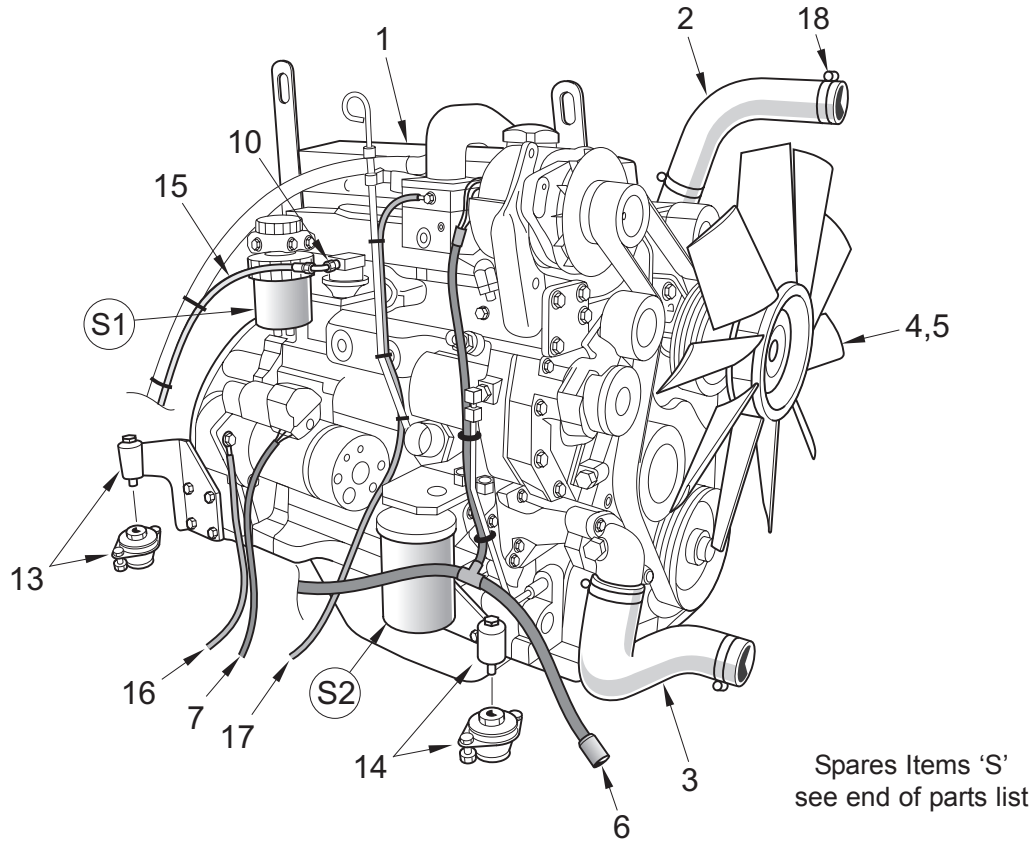
22.PB

John Deere Standard Power Engine

Table of Contents

Section	Page
Standard Power Engine	
Dressed Engine	22.PB : 2
Throttle Actuator	22.PB : 4
Ancillaries	22.PB : 5
Air Cleaner Installation	22.PB : 6
Engine Management Box	22.PB : 8

John Deere Standard Power Dressed Engine



95AE. 007-3

John Deere Standard Power Dressed Engine

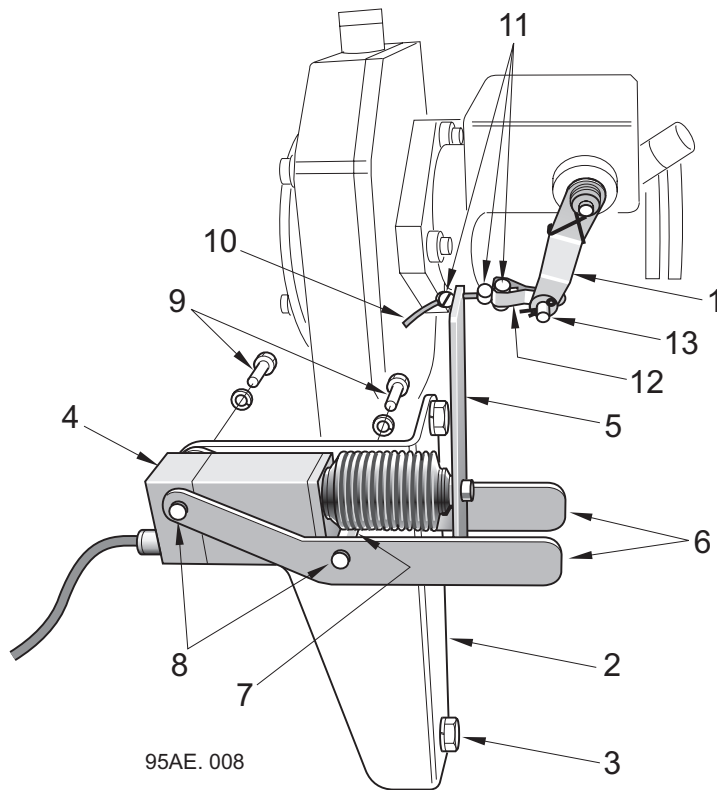
BoM 950511

Item No.	Part No.	Description	Quantity
1	283845-12	John Deere 4045TF 280 12v (63 kW) Engine	
2	280088-1	Hose - Radiator Inlet - Top	1
3	280089-1	Hose - Radiator - Lower	1
4	281-7	Cooling Fan	1
5	282587-1	Spacer - Cooling Fan	1
6	282041-1	Engine Loom	1
7	281224-1	Starter Cable	1
9	282590-1	Temperature Switch	1
8	281942-1	Oil Pressure Switch	1
10	848-24	Lift Pump Adaptor	1
11	282692-1	Fuel Return Hose	1
12	-	Air Inlet Elbow - See 'Air Cleaner Installation' elsewhere in this section	
13-20	-	These items are shown in the engine 'Common Parts' section elsewhere in this chapter.	

Spares Items

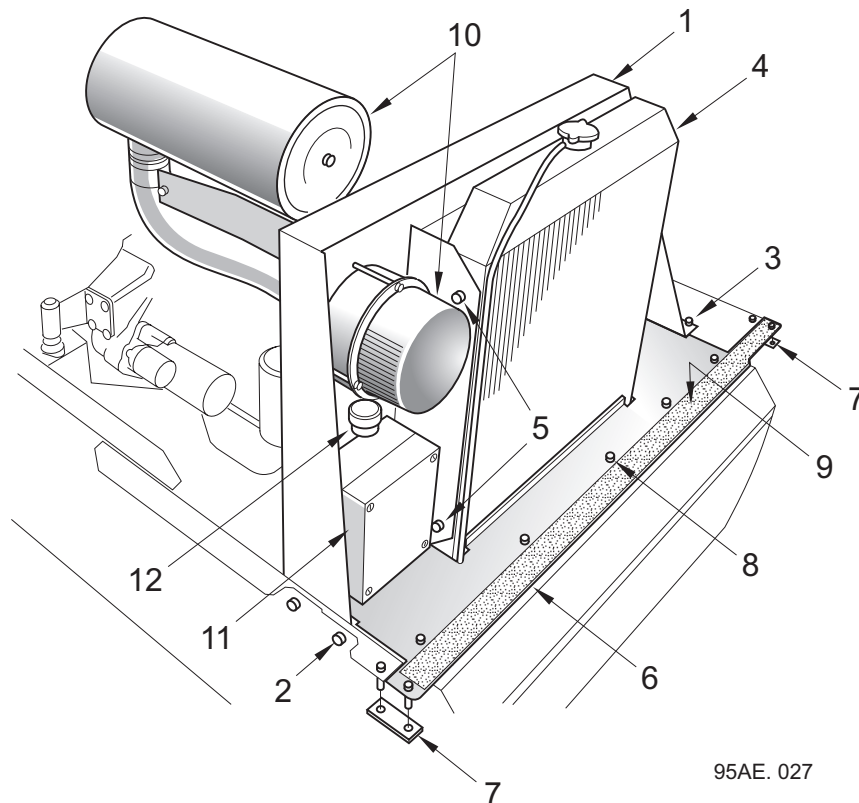
S1	848-35	Fuel Filter
S2	848-22	Oil Filter

Notes

Throttle Actuator - John Deere Standard Power Engine

BoM 950511

Item No.	Part No.	Description	Quantity
1	282643-1	Throttle lever	1
2	282645-1	Actuator Mount	1
3	124-263	Screw M16 x 20	2
	460-14	Washes - Spring	2
4	281729-12	Throttle Actuator 12v	1
5	282644-1	Actuator Lever	1
6	281707-1	Actuator Side Plate	2
7	42774-4	Spacer x 36	1
8	124-100	Screw M6 x 12	2
	460-8	Washer - Spring	2
9	124-101	Screw M6 x 16	2
	460-8	Washer Spring	2
10	281728-1	Throttle Cable	1
11	38-32	Solderless Nipple	3
12	837-47	Fork	1
13	837-48	Pin	1
	837-49	Split Pin	1

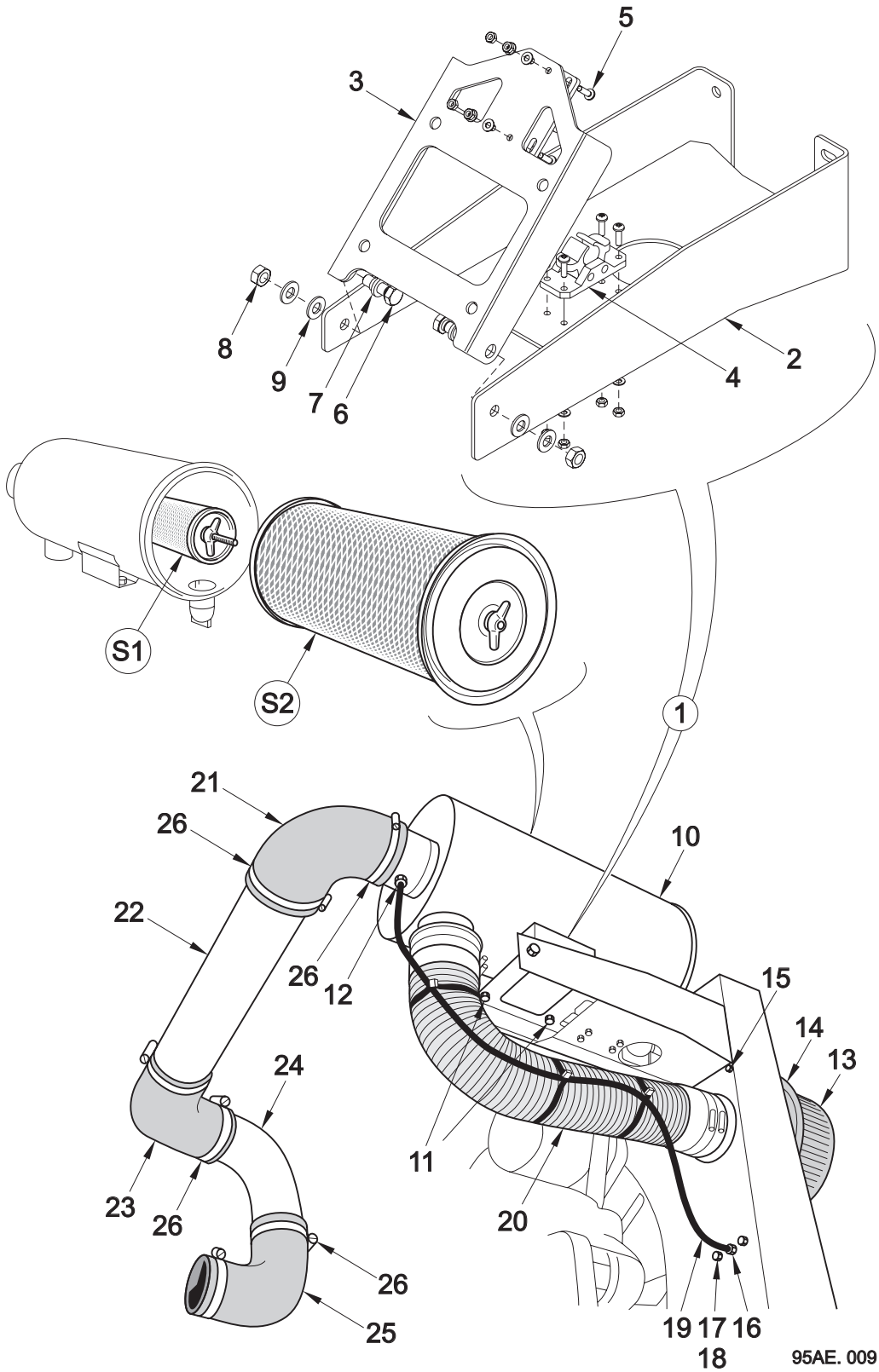
Ancillaries - John Deere Standard Power Engine



BoM 950511

Item No.	Part No.	Description	Quantity
1	282490-1	Radiator Shroud	1
2	124-167	Screw M10 x 20	2
	460-11	Washer - Spring M10	2
3	124-169	Screw M10 x 25	2
	425-15	Nut - Nyloc M10	2
4	200923-1	Radiator	1
5	124-166	Screw M10 x 16	4
	460-11	Washer - Spring M10	4
	455-11	Washer - Plain M10	4
6	282605-1	Walkway	1
7	281600-1	Support Strip	2
8	135-69	Screw - Button Head M8 x 25	9
	455-10	Washer - Plain M8	4
	425-14	Nut - Nyloc M8	4
9	211-12	Anti-slip Surface x 1240 Long	1
10	-	Air Filter and Prefilter Installation - See over page	
11	-	Engine Management Box - See elsewhere in this section	
12	-	Restriction Indicator - See 22.PB Common Parts section	

Air Cleaner Installation



Air Cleaner Installation

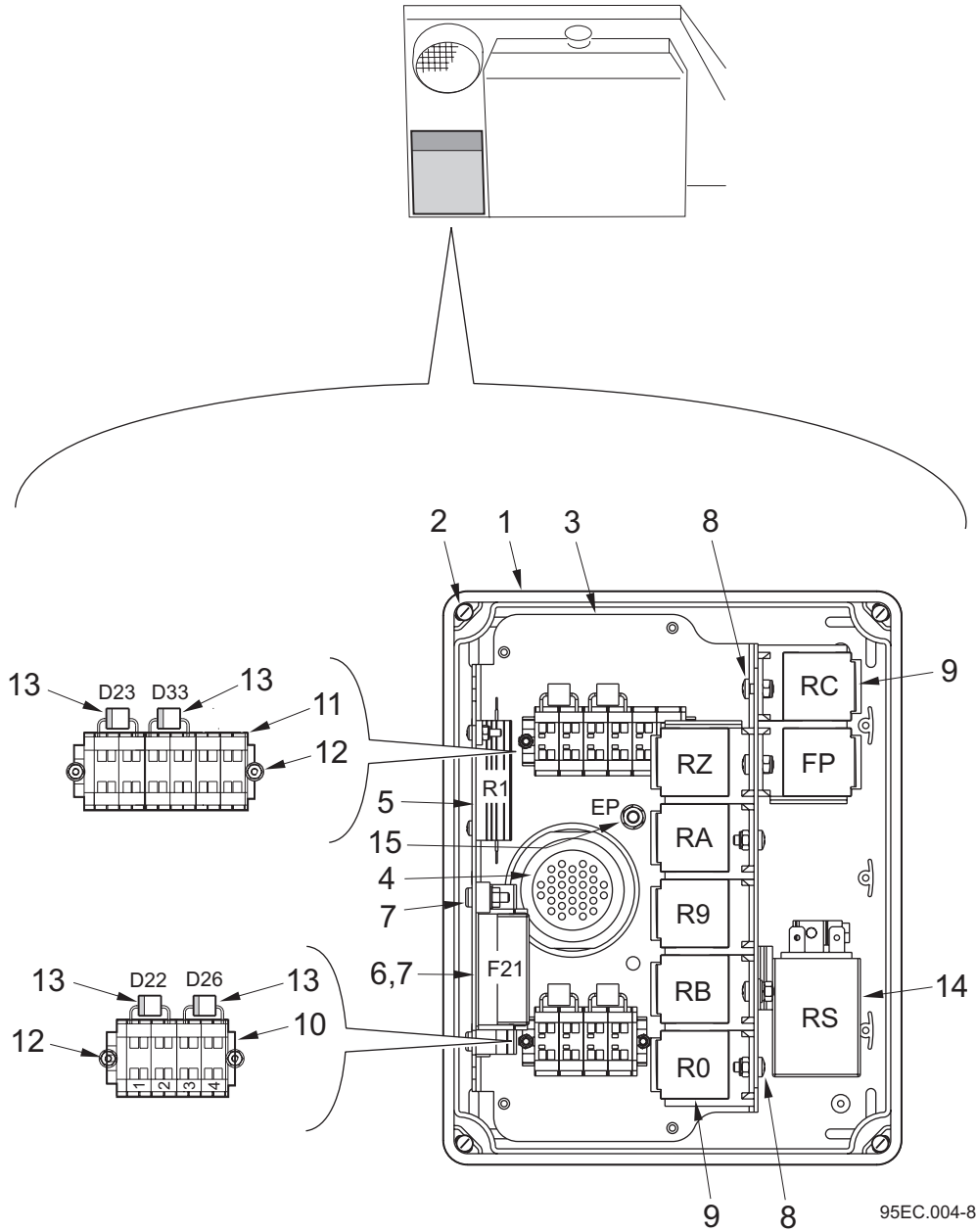
BoM 950511

Item No.	Part No.	Description	Quantity
1	281048-1	Air Filter Mount Assembly comprising items 2 - 9:-	
2	280125-1	Mounting Bracket	1
3	281047-1	Pivot Bracket	1
4	436-10	Catch	1
5	134-44	Screw M4 x 20 Pan Head	8
	455-5	Washer Plain	8
	425-11	Nut - Nyloc M4	8
6	124-135	Screw M8 x 20	2
7	441-1	Screw M8 x 4 Insert	2
8	425-14	Nut - Nyloc M8	2
9	455-10	Washer Plain	4
10	94954-1	Air Cleaner	1
11	124-135	Screw M8 x 20	4
	460-10	Washer - Spring	4
12	904-58	Adaptor	1
13	904-23	Pre Cleaner	1
14	282497-1	Securing Ring	1
15	123-98	Bolt M6 x 100	3
	455-8	Washer - Plain	6
	425-13	Nut - Nyloc M6	3
16	904-56	Connector	1
17	124-103	Screw M6 x 20	2
	457-2	Washer - Plain	2
	425-13	Nut - Nyloc M6	2
18	904-55	Restriction Indicator - 7.5kPa	1
19	12870	Tube - Black Nylon 8 O/D x 0.8	1
20	276-13	Flexible Ducting	1
21	61096-3	Elbow - Rubber	1
22	280154-1	Pipe - Air Inlet	1
23	904-12	Elbow 3 1/2"	1
24	280156-1	Elbow - Air Inlet	1
25	61096-3	Elbow - Rubber	1
26	501-8	Hose Clip	6

Spares Items

S1	61026-3	Safety Element
S2	94954-2	Main Element

Engine Management Box - John Deere Standard Power Engine



Engine Management Box - John Deere Standard Power Engine

BoM M010511

Item No.	Part No.	Description	Quantity
	282137-1	Engine Management Box 12v Comprising:-	
1	283848-1	Box and Lid	1
2	134-44	Screw Pan Head M4 x 20	4
	425-11	Nut - Nyloc M4	4
3	282125-1	Mounting Plate	1
4	283843-1	Loom	1
5	721-12	Resistor 50R 50 Watt	1
6	30-267	Fuse Holder	1
7	30-269	Midi Link 60 Amp	1
8	134-41	Screw Pan Head M4 x 10	4
	425-11	Nut - Nyloc M4	4
9	13193	Relay	7
10	30-256	Terminal Block - 4 Way	4
	30-254	Terminal Block - End Plate	1
11	30-256	Terminal Block - 4 Way	6
	30-254	Terminal Block - End Plate	1
12	134-13	Screw Pan Head M3 x 12	4
	425-10	Nut - Nyloc M3	4
13	13984	Diode 6 Amp	4
14	48-34	Relay	1
15	134-60	Screw Plan Head M5 x 25	1
	420-12	Nut M5	1
	425-12	Nut - Nyloc M5	1
	460-7	Washer - Spring	1
	455-7	Washer - Plain	1

Notes

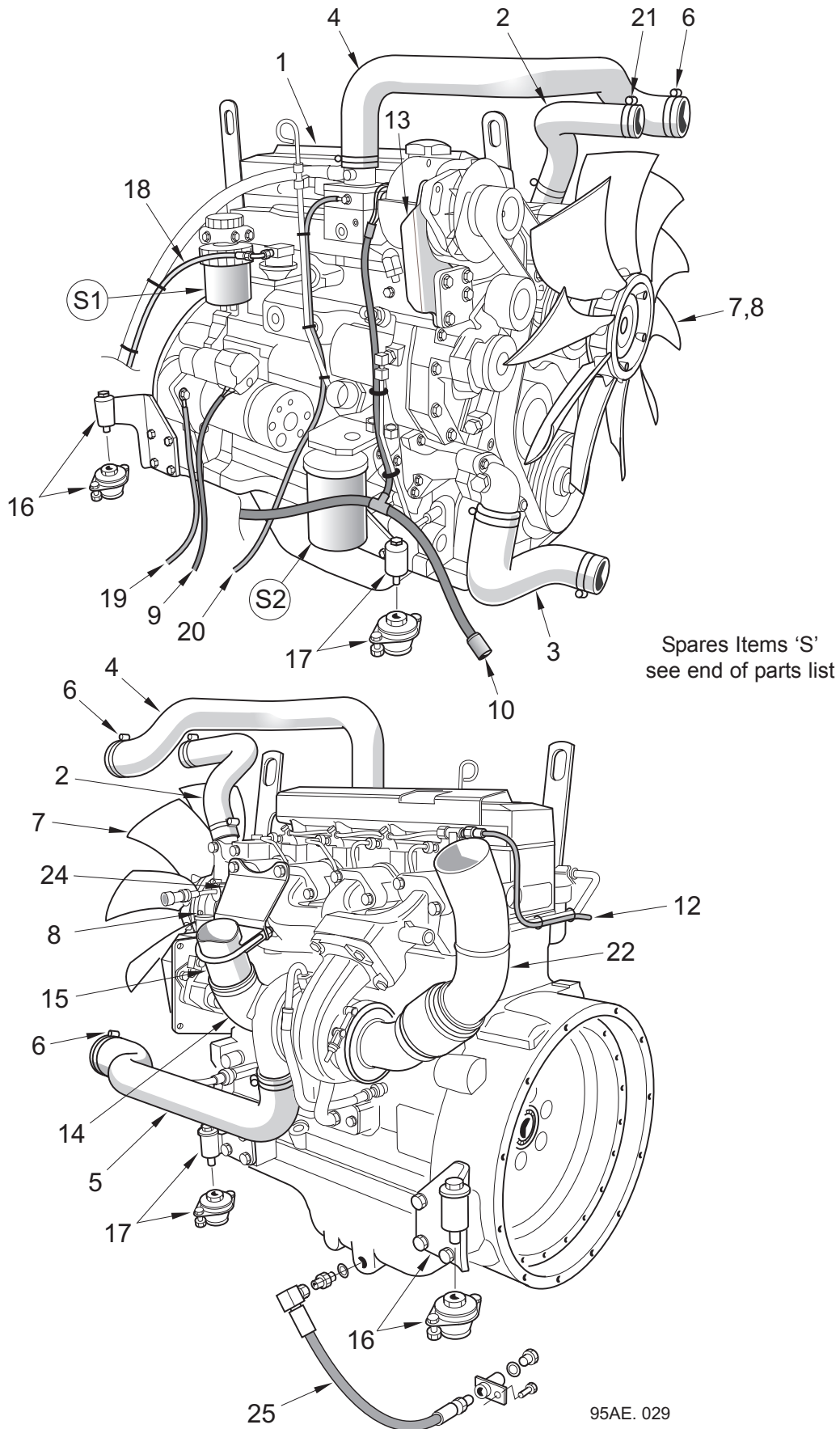
22.PB

John Deere High Power Engine

Table of Contents

Section	Page
High Power Engine	
Dressed Engine	22.PB : 12
Ancillaries	22.PB : 14
Engine Management Box	22.PB : 16

John Deere High Power Dressed Engine



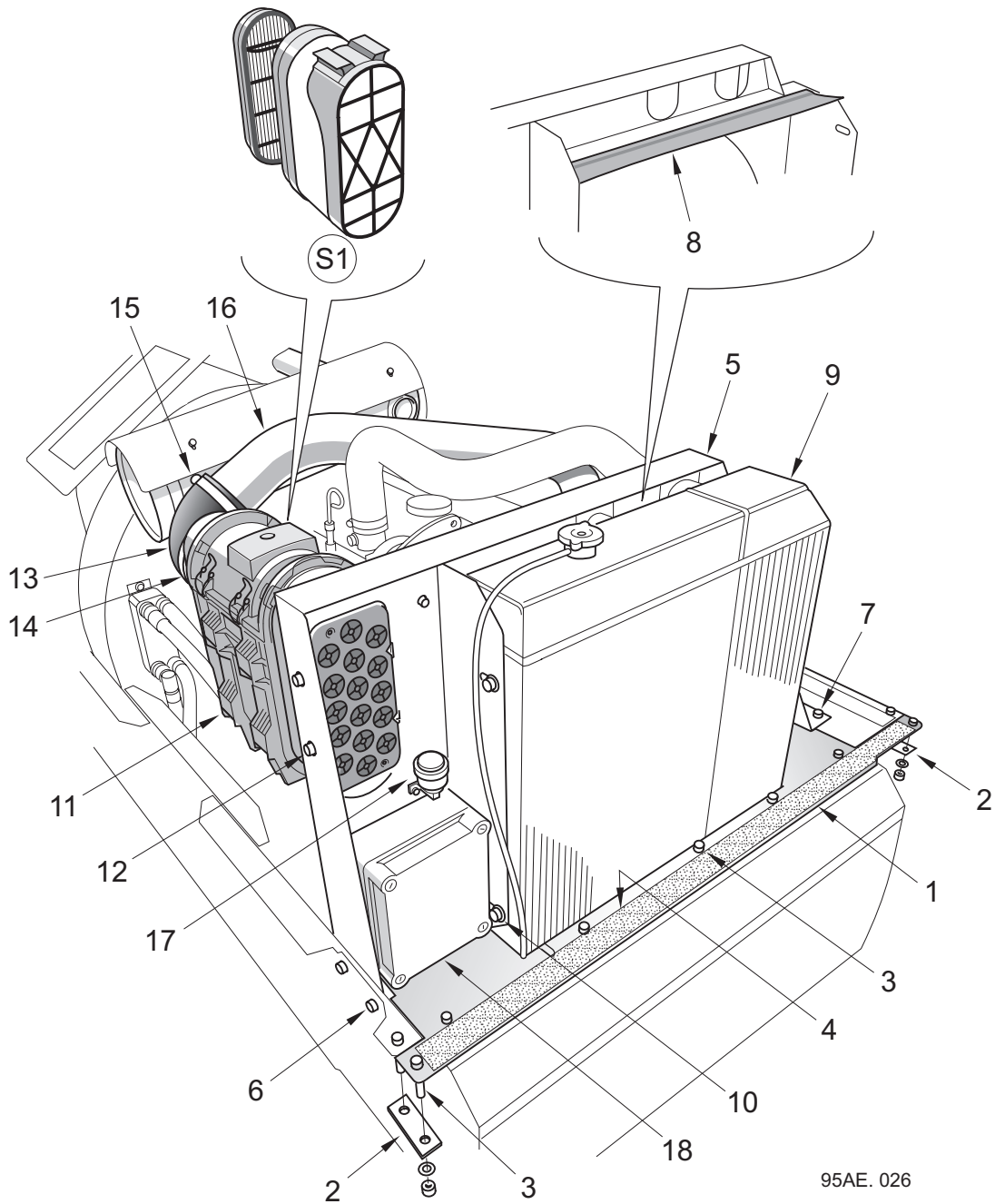
John Deere High Power Dressed Engine

BoM 950511

Item No.	Part No.	Description	Quantity
1	283791-12	John Deere 4045HF 285 12v (86 kW) Engine	
2	283929-1	Hose - Radiator Inlet - Top	1
3	283931-1	Hose - Radiator - Lower	1
4	283933-1	Charge Air Hose - Top	1
5	283932-1	Charge Air Hose - Bottom	1
6	507-4	Hose Clamp 3"	4
7	281-9	Cooling Fan	1
8	295102-1	Spacer - Cooling Fan	1
9	281224-4	Starter Cable	1
10	283939-1	Engine Loom	1
11	283994-1	Water and Fuel Extension Loom	1
12	282692-1	Fuel Return Hose	1
13	295064-1	Alternator Mounting Bracket	1
14	61096-3	Elbow	1
>	507-4	Hose Clamp 3"	2
15	-	Air Cleaner Pipe - See 'Air Cleaner Installation' elsewhere in this section	
16-25	-	These items are shown in the 'Common Parts section elsewhere in this chapter.	
Spares Items			
S1	-	Fuel Filter	
S2	-	Oil Filter	

Notes

Ancillaries - John Deere High Power Engine



Ancillaries - John Deere High Power Engine

BoM 950511

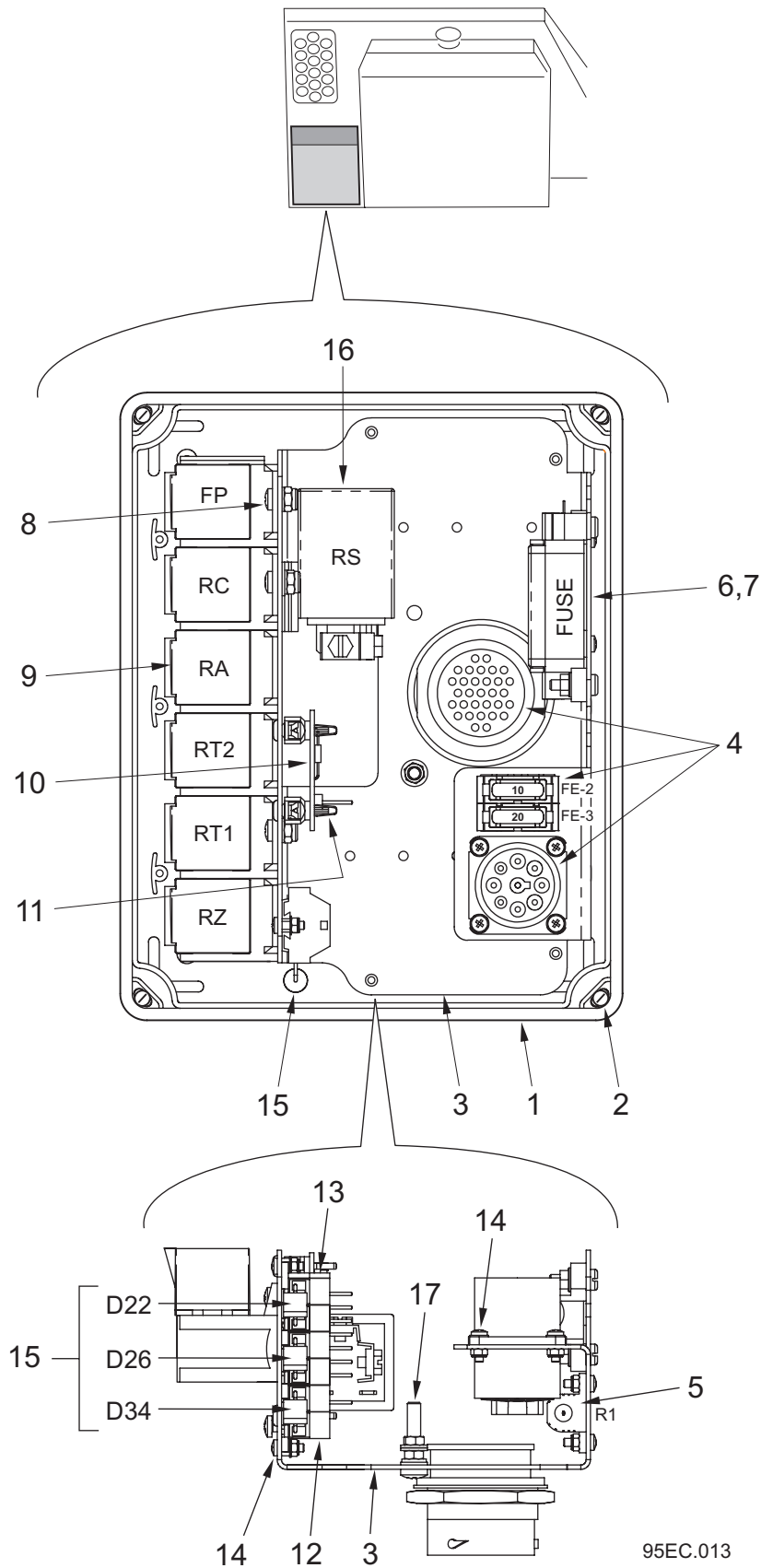
Item No.	Part No.	Description	Quantity
1	283934-1	Walkway	1
2	281600-1	Support Strip	2
3	138-125	Screw - Button Head M8 x 25	9
	455-10	Washer - Plain	4
	425-14	Nut - Nyloc M8	4
4	211-12	Anti - Slip Surface x 0.03m	1
5	283928-1	Radiator Shroud	1
6	124-167	Screw M10 x 20	2
	460-11	Washer - Spring	2
7	124-167	Screw M10 x 20	2
	425-15	Nut - Nyloc M10	2
8	217-2	Rubber Seal x 1.2m	1
9	295065-1	Radiator / Intercooler	1
10	124-166	Screw M10 x 16	4
	460-11	Washer - Spring	4
	455-11	Washer - Plain	4
11	295095-1	Air Cleaner	1
12	124-137	Screw M8 x 25	4
	460-10	Washer - Spring M8	4
	455-10	Washer - Plain M8	4
13	904-62	Elbow	1
14	507-6	Hose Clamp 4"	1
15	507-4	Hose Clamp 3"	1
16	284130-1	Air Cleaner Pipe	1
17	-	Restriction Indicator - See 22.PB Common Parts section	
18	-	Engine Management Box - See over page	

Air Filter Spares

S1	-	Main Element	
----	---	--------------	--

Notes

Engine Management Box - John Deere High Power Engine



95EC.013

Engine Management Box - John Deere High Power Engine

BoM 950511

Item No.	Part No.	Description	Quantity
	283992-1	Engine Management Box 12v Comprising:-	
1	283848-1	Box and Lid	1
2	134-44	Screw Pan Head M4 x 20	4
	425-11	Nut - Nyloc M4	4
3	283897-1	Mounting Plate	1
4	283993-1	Loom	1
5	721-12	Resistor 50R 50 Watt	1
6	30-267	Fuse Holder	1
7	30-269	Midi Link 60 Amp	1
8	134-40	Screw Pan Head M4 x 8	4
	455-5	Washer - Plain M4	4
	425-11	Nut - Nyloc M4	4
9	13193	Relay	6
10	282171-1	Resistor Board Assembly	1
11	30-280	Snap Rivet	4
12	30-256	Terminal Block - 4 Way	8
13	30-254	Terminal Block - End Plate	1
14	134-12	Screw Pan Head M3 x 10	6
	455-3	Washer - Plain M3	6
	425-10	Nut - Nyloc M3	6
15	13984	Diode 6 Amp	3
16	48-34	Relay	1
17	134-60	Screw Plan Head M5 x 25	1
	420-12	Nut M5	1
	425-12	Nut - Nyloc M5	1
	460-7	Washer - Spring	1
	455-7	Washer - Plain	1

Notes

22.PB

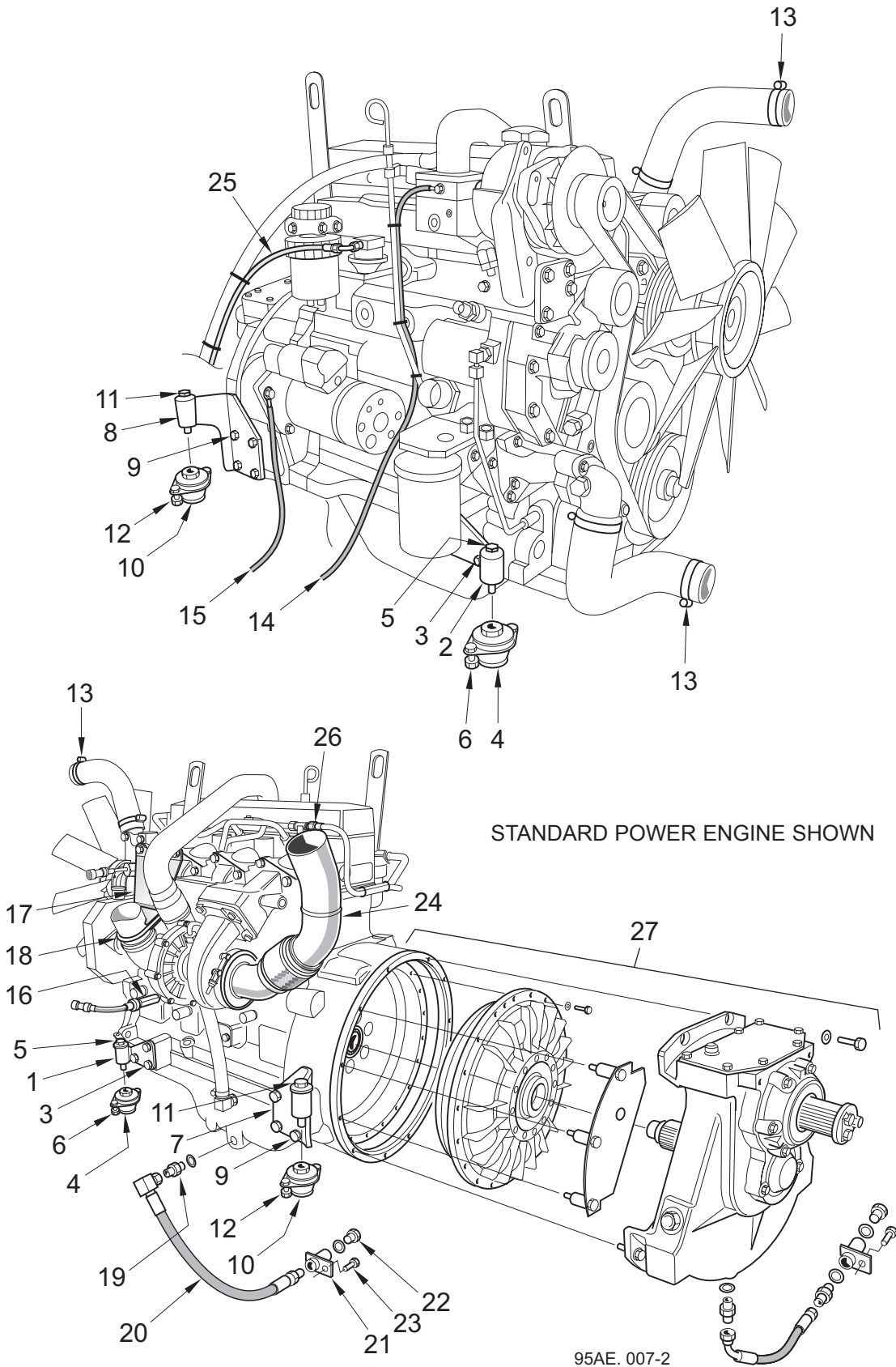
Common Parts

John Deere Standard and High Power Engines

Table of Contents

Section	Page
Engine Ancillaries	
Engines and Transmission	22.PB : 20
Exhaust Components	22.PB : 22
P.T.O. Pumps	22.PB : 24
Pump Installations	22.PB : 25
Filter State Indicator	22.PB : 26
Fuel Pre-Filter Installation	22.PB : 27
Heat Start Relay and Cables	22.PB : 28

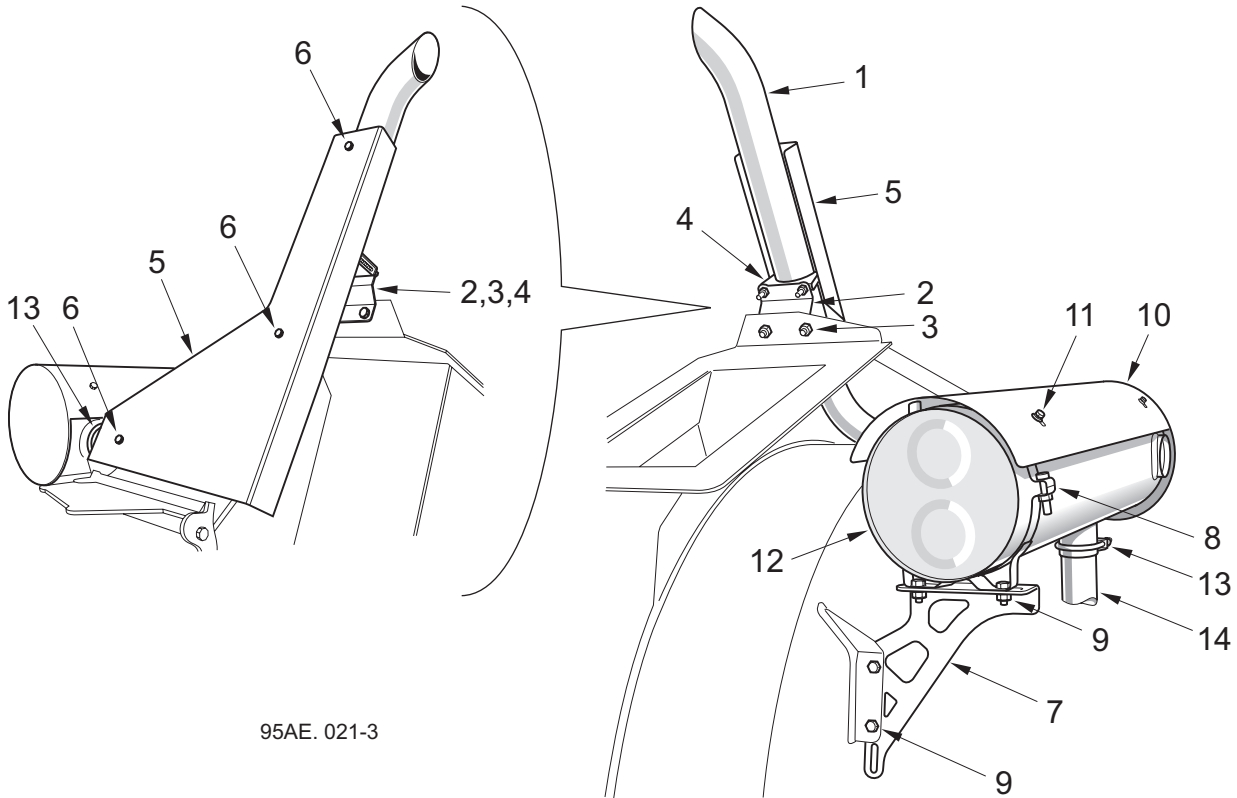
Common Parts - John Deere Standard and High Power Engines



Common Parts - John Deere Standard and High Power Engines

BoM 950511

Item No.	Part No.	Description	Quantity	
1	280150-4	Bracket - Engine Mounting LH Front	1	
2	280150-2	Bracket - Engine Mounting RH Front	1	
3	124-199	Screw M12 x 20	6	
	460-12	Washer - Spring	6	
4	6953	Mount - Metacone	2	
5	123-151	Bolt M12 x 65	2	
	457-6	Washer - Plain	2	
	460-12	Washer - Spring	2	
6	124-171	Screw M10 x 30	4	
	460-11	Washer-Spring	4	
	420-15	Nut M10	4	
>	7	284125-1	Bracket - Engine Mounting LH Rear	1
>	8	284125-2	Bracket - Engine Mounting RH Rear	1
	9	124-199	Screw M12 x 20	8
	460-12	Washer - Spring	8	
10	22826-1	Mount Metacone	2	
11	123-152	Bolt M12 x 70	2	
	457-6	Washer - Plain	2	
	460-12	Washer - Spring	2	
12	124-171	Screw M10 x 30	4	
	460-11	Washer - Spring	4	
	420-15	Nut M10	4	
13	501-6	Hose Clip	2	
14	282044-1	Cable - Relay to Heat Start	1	
15	281224-2	Earth Cable	1	
16	283401-1	Extender Adaptor	1	
17	280153-1	Air Inlet Bracket	1	
18	6645-21	Exhaust Clamp 3 5/8"	1	
19	270-8	Adaptor M18 x 3/4"	1	
	451-8	Washer - Sealing	1	
20	HE12003-80	Hydraulic Hose	1	
21	62903-1	Drain	1	
22	7684-1	Collar Plug 1/2" BSP Brass	1	
	451-19	Washer - Sealing	1	
23	124-167	Screw M10 x 20	1	
	460-11	Washer - Spring	1	
	420-15	Nut M10	1	
24	282585-1	Exhaust Inlet Pipe	1	
25	282689-1	Fuel Suction Hose	1	
26	282697-1	Adaptor G 1/4"	1	
	848-21	Seal	1	
27	-	Fluid Coupling and Fan Drive Gearbox - See VT Transmission Section 22.PE		

Common Parts - Exhaust Components


95AE. 021-3

BoM 950511,950520 and 960520

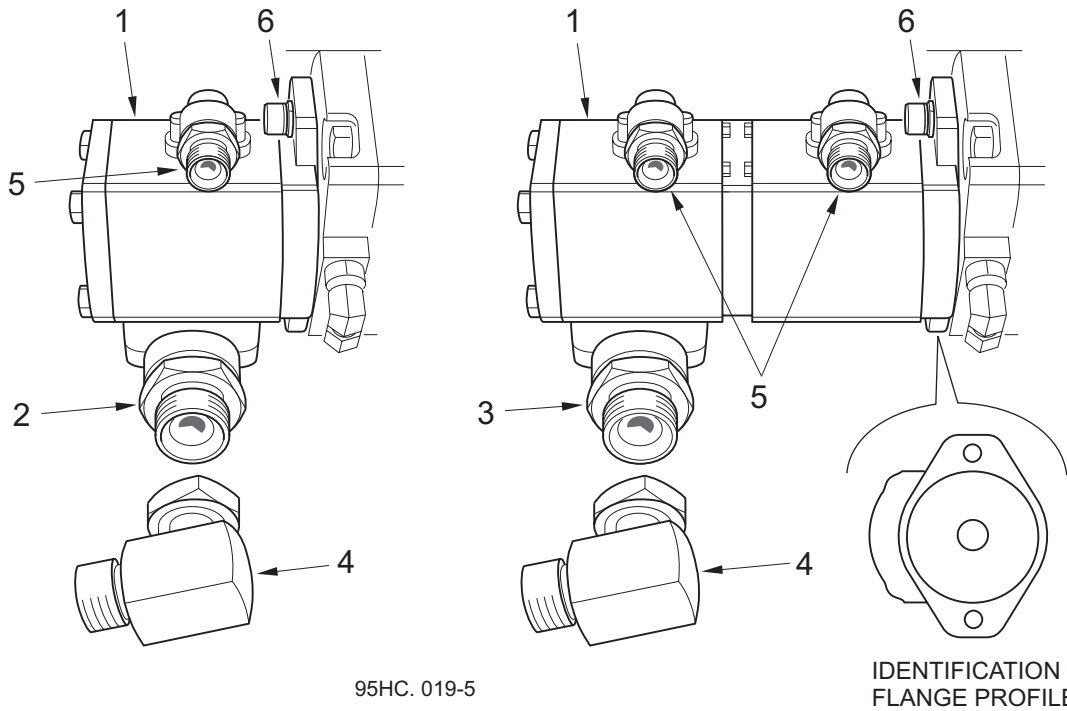
Item No.	Part No.	Description	Quantity
1	42649-3	Tailpipe - VT 500, 605	1
	42649-1	Tailpipe - VT 650	1
	281946-1	Tailpipe - VT 800	1
2	200063-1	Support - VT 500, 605, 650	1
	281945-1	Support - VT 800	1
3	124-169	Screw M10 x 25	2
	455-11	Washer - Plain	2
	426-5	Nut - Philidas M10	2
4	6645-13	Exhaust Clamp x 67 I.D.(2 5/8")	1
5	42647-1	Heat Sheild	1
6	124-100	Screw M6 x 12	3
	460-8	Washer - Spring	3

Common Parts - Exhaust Components

BoM 950511

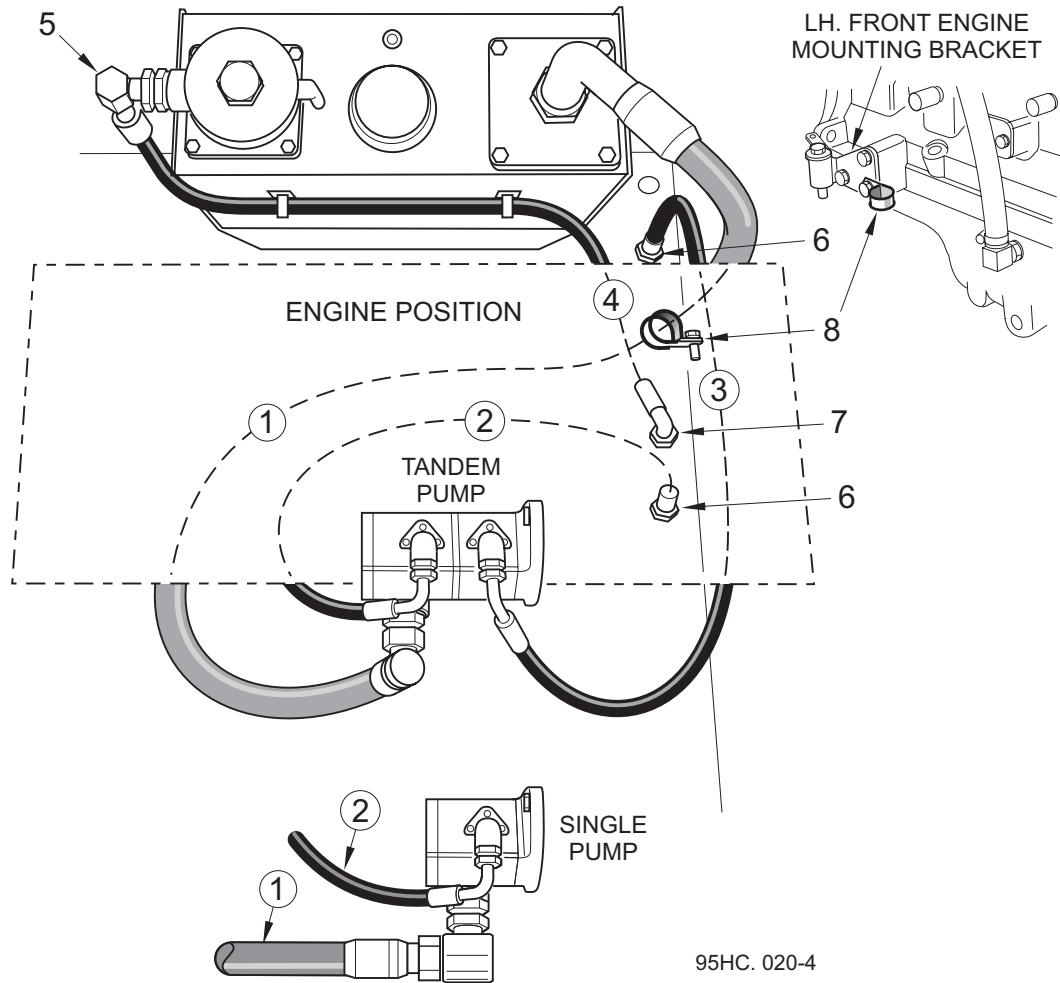
Item No.	Part No.	Description	Quantity
7	295444-1	Mount	1
8	903-9	Mounting Band	1
9	124-135	Screw M8 x 20	4
	457-4	Washer - Plain	4
	460-10	Washer - Spring	4
	420-14	Nut M8	4
10	281704-1	Heat Shield	1
11	124-100	Screw M6 x 12	4
	457-2	Washer - Plain	4
	460-8	Washer - Spring	4
12	283781-1	Silencer	1
13	6645-14	Exhaust Clamp x 70 I.D. (2 3/4")	2
14	-	Inlet Pipe - See previous page.	-

Notes

Common Parts - P.T.O. Pumps

BoM 950514

Item No.	Part No.	Description	Quantity	
			Single	Tandem
1	239-27	Pump - Single	1	-
	239-34	Pump - Tandem	-	1
2	265-16	Adaptor 1 1/4" x 3/4"	1	-
	451-21	Washer - Sealing 3/4"	1	-
3	263-8	Adaptor 1 1/4"	-	1
	451-111	Washer - Sealing 1 1/4"	-	1
4	262-8	Swivel Elbow 1 1/4" x 90°	1	1
5	263-4	Adaptor 1/2"	1	2
	451-19	Washer - Sealing 1/2"	1	2
> 6	129-156	Screw Cap Skt Head M10 x 30	2	2
	460-11	Washer - Spring	2	2

Common Parts - PTO Pump Installations



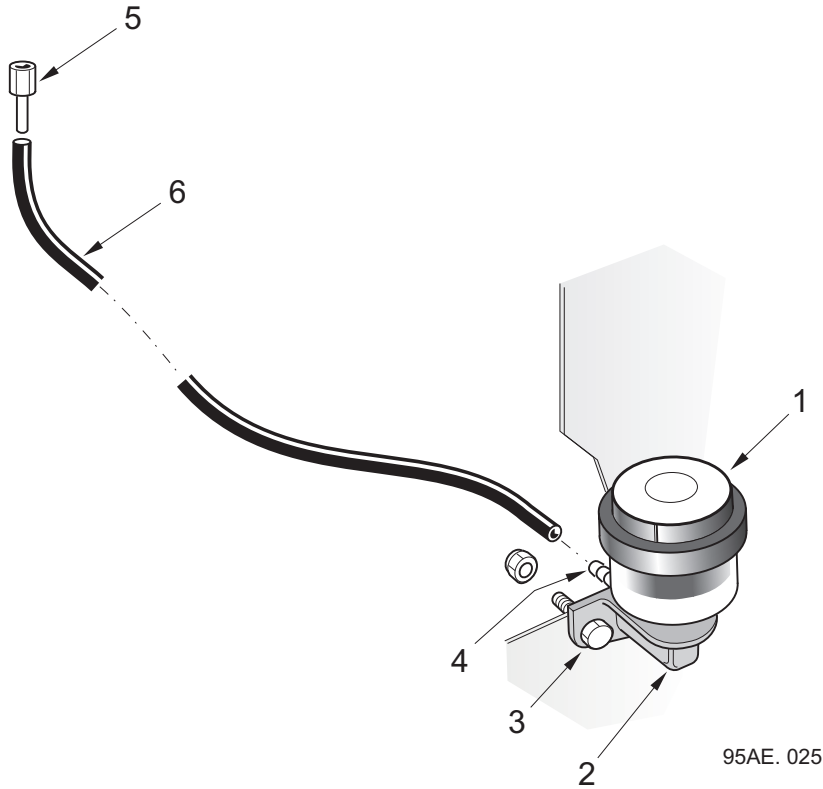
95HC. 020-4

BoM 950514

Item No.	Part No.	Description	Quantity	
			Single	Tandem
1*	HX 20002-175	Suction Hose	1	1
2*	HC08000-114	Sweep Systems Hose	1	1
3*	HC08002-170	Auxiliary Systems Hose	-	1
4*	HE12001-122	Tank Return Hose	1	1
5	262-6	Swivel Elbow 3/4"	1	1
6	264-4	1/2" Bulkhead Adaptor + Locknut	1	2
7	264-6	3/4" Bulkhead Adaptor + Locknut	1	1
8	508-12	'P' Clip	1	1

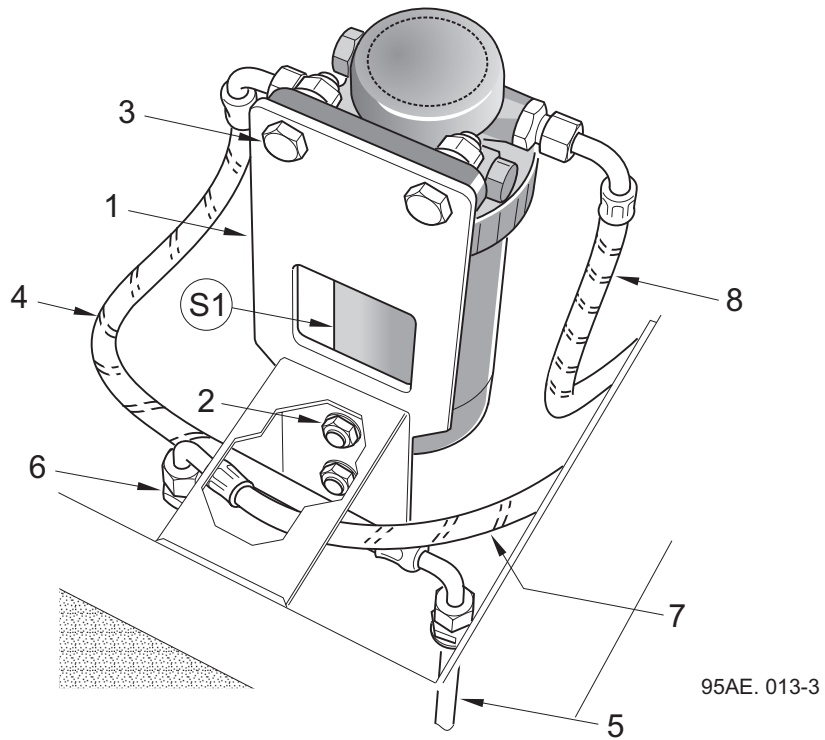
Notes

* Hose numbers in circles correspond with those on Hydraulic diagrams SH521a01 and SH531a01 in Chapter 8.

Common Parts - Filter State Indicator

BoM 950511

Item No.	Part No.	Description	Quantity
1	904-55	Restriction Indicator	1
2	904-59	Mount	1
3	124-103	Screw M6 x 20	2
	457-2	Washer - Plain	2
	425-13	Nut - Nyloc M6	2
4	904-56	Connector	1
5	904-58	Adaptor	1
6	12870	Nylon Tube - Black Ø8 x 0.8m	1

Common Parts - Fuel Pre-Filter Installation

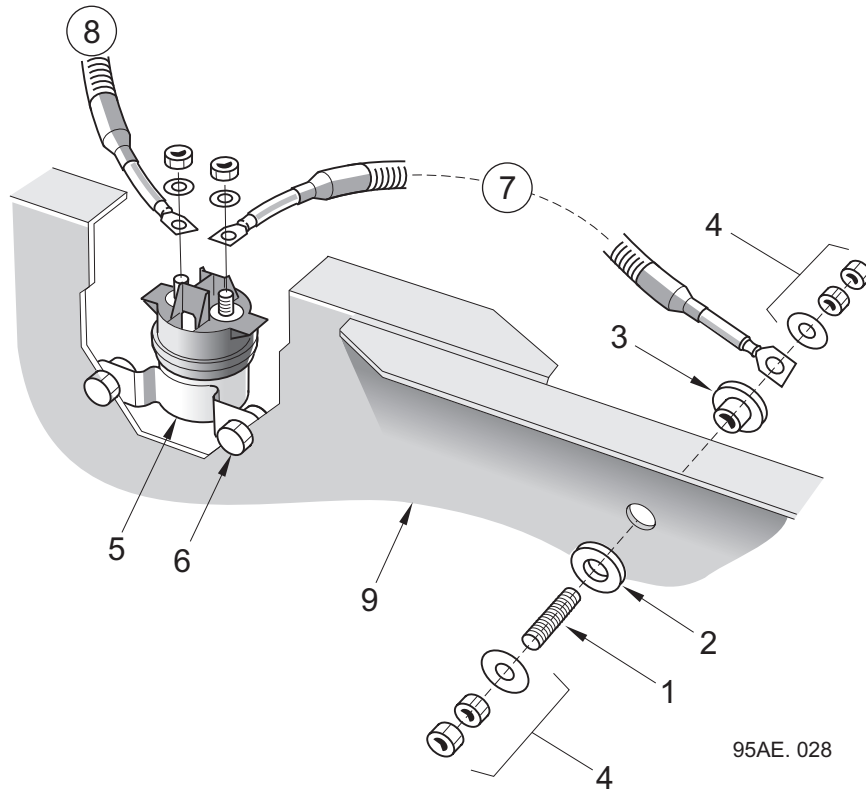


BoM 950511

Item No.	Part No.	Description	Quantity
1	282629-1	Plate - Pre-Filter Mounting	1
2	124-134	Screw M8 x 16	2
	455-10	Washer - Plain	2
	425-14	Nut - Nyloc M8	2
3	124-171	Screw M10 x 30	2
	455-11	Washer - Plain	2
	425-15	Nut - Nyloc M10	2
4	282691-1	Fuel Suction Hose with Adaptor	1
5	282696-1	Suction Pipe	1
	451-17	Washer - Sealing 1/4" BSP	1
6		Adaptor	1
7		Fuel Return Hose	1

Spares Items

S1	-	Fuel Pre Filter - Standard Power Engine
	-	Fuel Pre Filter - High Power Engine

Common Parts - Heat Start Relay and Cables

BoM 950511

Item No.	Part No.	Description	Quantity
1	42421-3	Stud M10 x 65	1
2	42661-1	Washer - Nylon	1
3	42660-1	Spacer - Nylon	1
4	455-11	Washer - Plain M10	2
	410-49	Nut - Brass M10	4
5	48-271	Heat Start Relay	1
6	124-101	Screw M6 x 16	2
	455-8	Washer - Plain	2
	425-8	Nut - Nyloc M6	2
7	282034-1	Heat Start Cable - Power to Relay	1
8	-	Heat Start Cable - Relay to Heat Start See Engine Common Parts (item 14)	
9	-	Powapak Tub Rear Valance - See Section 22.PC	

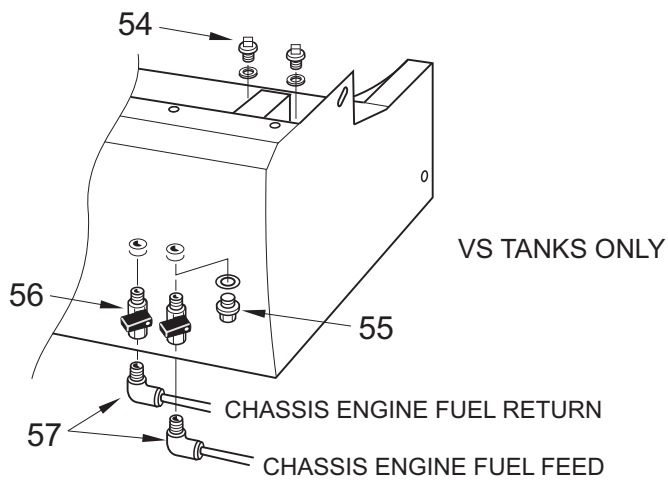
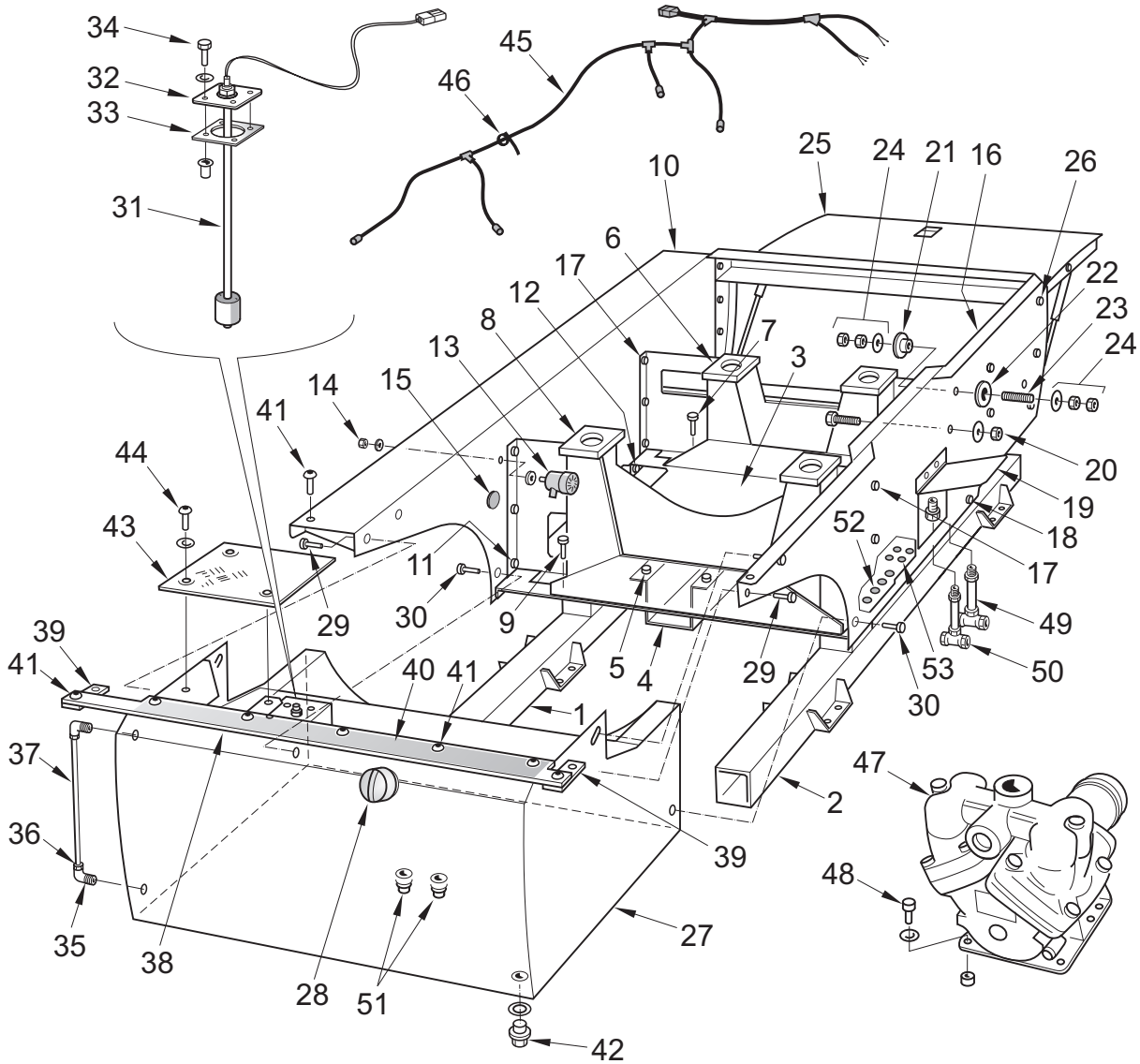
22.PC

Powapak Tub

Table of Contents

Section	Page
Powapak Tub and Components	
Powapak Tub - VT and VS Common Parts	22.PC : 2
Powapak Tub - VT Parts only	22.PC : 6
Powapak Tub - VS Parts only	22.PC : 7
3/4" Water System Feed Pipe Assembly	22.PC : 8
1" Water Pump Suction Pipe Assembly	22.PC : 9

Powapak Tub



95PT. 002-9

Powapak Tub

BoM 950512

Item No.	Part No.	Description	Quantity
1	281283-1	Engine Beam - Front	1
2	281282-1	Engine Beam - Rear	1
3	281643-1	Deck Plate	1
4	281881-1	Hose Tray	1
5	124-134	Screw M8 x 16	6
	460-10	Washer - Spring M8	6
6, 7	-	Engine Front Cradle/Panel and Screws - See elsewhere in this section	
8	282375-1	Rear Engine Cradle	1
9	124-272	Screw M16 x 45	2
	460-14	Washer - Spring M16	2
10	200510-1	Front Valance	1
11	124-169	Screw M10 x 25	6
	425-15	Nut - Nyloc M10	6
	455-11	Washer - Plain M10	6
12	124-137	Screw M8 x 25	2
	455-10	Washer - Plain M8	2
	425-14	Nut - Nyloc M8	2
13	30-184	Reverse Alarm with Connector	1
14	283229-6	Spacer	1
	457-2	Washer - Large M6	2
	420-13	Nut - M6	1
15	287-12	Grommet	1
16	282818-1	Rear Valance	1
17	124-169	Screw M10 x 25	6
	455-11	Washer - Plain M10	6
18	124-137	Screw M8 x 25	2
	455-10	Washer - Plain M8	2
	425-14	Nut - Nyloc M8	2
19		Flap - Valance - See elsewhere in this section	
20	124-175	Screw M10 x 40	1
	455-11	Washer - Plain	1
	420-15	Nut M10	1
21	42660-1	Spacer - Nylon	1
22	42661-1	Washer - Nylon	1
23	42421-3	Stud M10 x 65	1
24	410-49	Nut - Brass M10	4
	44511	Washer - Plain	2
25	-	Systems Locker Assembly - See Chapter 23	1
26	124-135	Screw M8 x 20	7
	425-14	Nut - Nyloc M6	4
27	283801-2	190 Litre Fuel Tank - Current Type 'B'	1

Powapak Tub

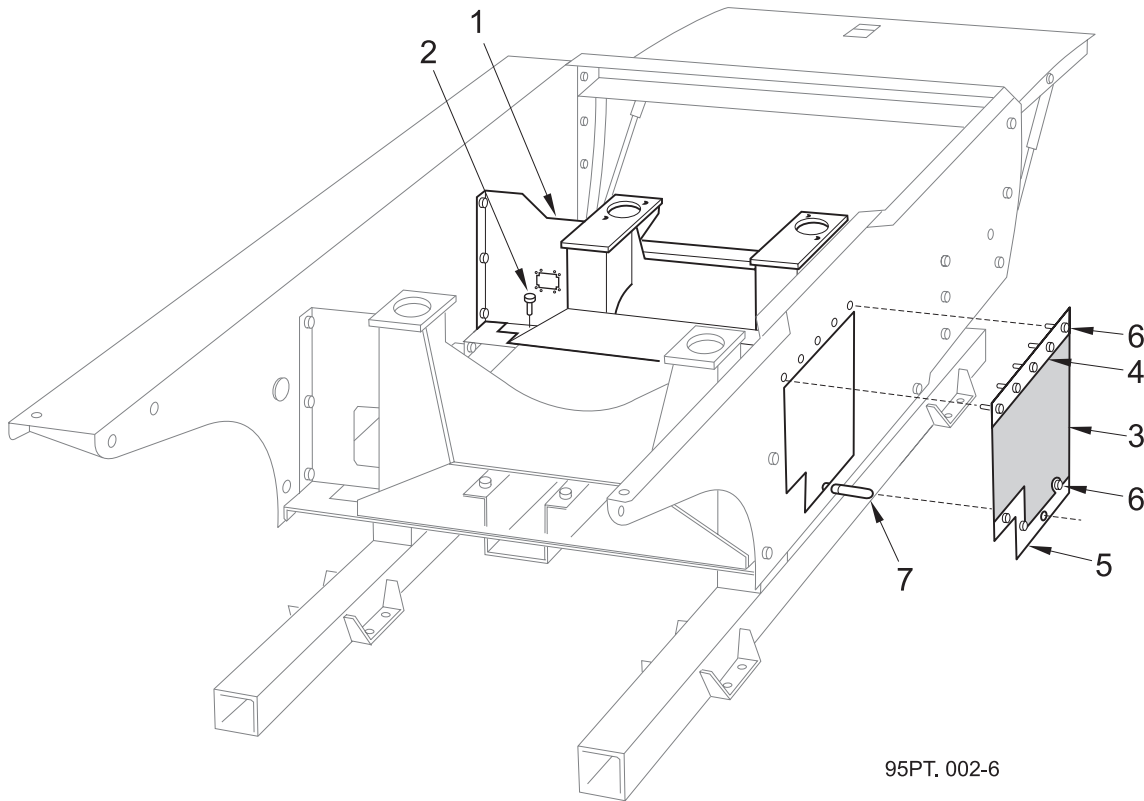
Item No.	Part No.	Description	Quantity
28	69-27	Locking Filler Cap (Large)	1
29	124-169	Screw M10 x 25	4
	455-11	Washer - Plain M10	6
	425-15	Nut - Nyloc M10	4
30	124-167	Screw M10 x 20	2
	460-11	Washer - Spring M10	2
31	283323-1	Fuel Level Sender (Curtis)	1
32	283432-1	Adaptor Plate - Curtis Sender	1
33	283433-1	Gasket - Adaptor Plate	1
34	124-103	Screw M6 x 20	4
	460-8	Washer - Spring M6	4
	433-2	Clufix M6	4
35	521-8	Adaptor Elbow	2
36	510-4	Nut - Tubing Ø8	2
	511-4	Sleeve - Tubing Ø8	2
37	39024	Tubing - Nylon Ø8	0.4
38	281902-1	Walkway	1
39	281600-1	Support Strip	2
40	211-12	Anti-slip Surface x 1240 Long	1
41	135-57	Screw - Button Head M8 x 20	9
	425-14	Nut - Nyloc M8	9
42	7684-1	Plug G1/2"	1
	451-19	Washer - Sealing G1/2"	1
43	281610-1	Plate - Walkway	1
44	135-57	Screw - Button Head M8 x 20	3
	457-4	Washer - Large Flat M8	3
45	283263-1	Powapack Services Loom	1
46	24-1	Cable Tie	5
47	282812-1	Water Pump Assembly	1
48	124-137	Screw M8 x 25	4
	455-10	Washer - Plain M8	4
49	281669-1,2	Water Pump 1" Feed Pipe Assembly) See elsewhere	1
50	281670-1	Water System 3/4" Feed Pipe Assembly) in this section	1
51	3823	Collar Plug G3/8")	2
	451-18	Washer - Sealing) VT Only	2
52	288-11	Blind Grommet Ø 5/8"	4
53	288-9	Blind Grommet Ø 1/2"	4

VS Only

Item No.	Part No.	Description	Quantity
54	3162	Collar Plug G1/4"	2
	451-17	Washer - Sealing	2
55	3823	Collar Plug G3/8") ESU Units	2
	451-18	Washer - Sealing) only	2
56	88-28	Tap G3/8"	2
	451-18	Washer - Sealing	2
* 57	83-77	Elbow R3/8" for Ø8 Fuel Pipe	2
	83-81	Elbow R3/8" for Ø10 Fuel Pipe	2
	83-83	Elbow R3/8" for Ø12 Fuel Pipe	2
	802776-2	Special Mercedes Adaptor G3/8" for 12mm I.D. Fuel Pipe	2

Notes

- * Item 57 lists a range of fittings required for various fuel pipe sizes - Select as required.
The Fuel Pipe is that supplied with the chassis.

Powapak Tub - VT Parts Only


95PT. 002-6

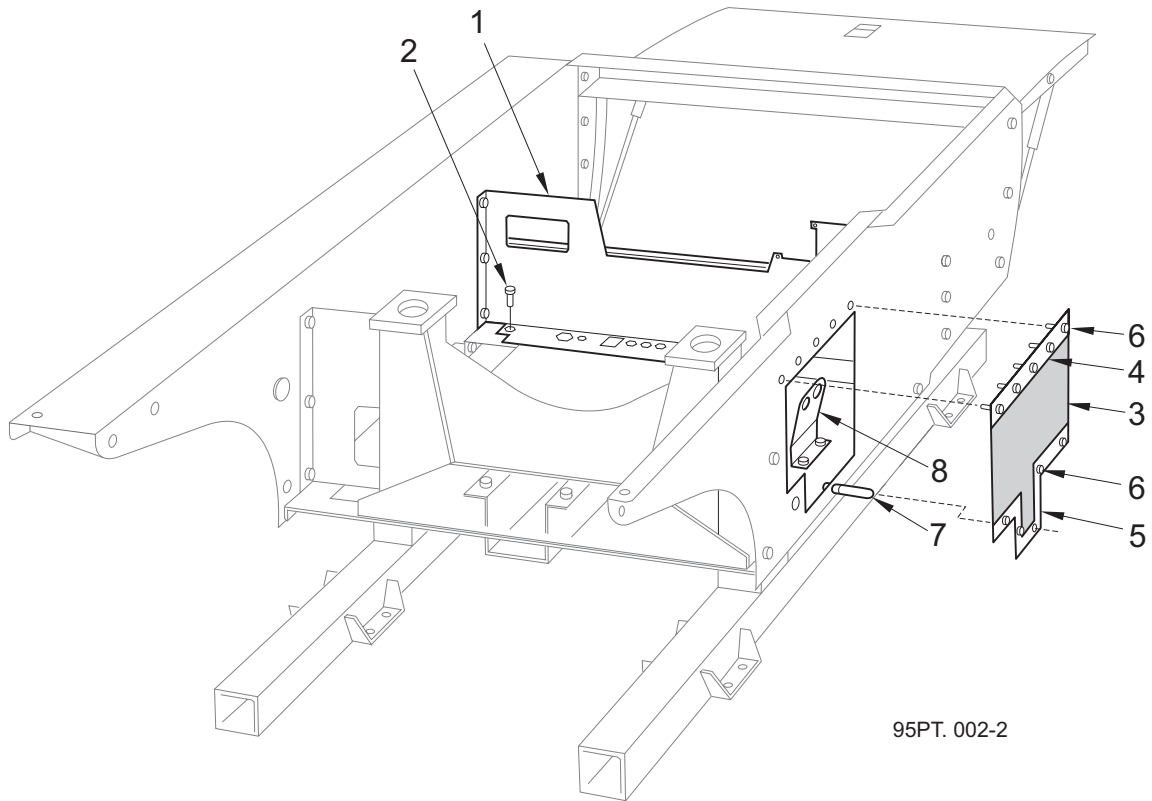
BoM 950511

Item No.	Part No.	Description	Quantity
1	281475-1	Front Engine Cradle - Iveco Engines (shown)	1
	282425-1	Front Engine Cradle - John Deere Engines	1
2	124-272	Screw M16 x 45	2
	460-14	Washer - Spring	2

BoM 950512

	282816-1	Valance Access Hatch comprising items 3 to 7	
3	282801-1	Neoprene Flap	1
4	282804-1	Securing Plate	1
5	282802-1	Tension Plate	1
6	124-135	Bolt M8 x 20	8
	455-10	Washer - Plain	8
	425-14	Nut - Nyloc M8	8
7	283-36	Drop - Loc Bolt	1
	455-10	Washer - Plain	1
	425-14	Nut - Nyloc M8	1

Fan Tub VS Parts Only

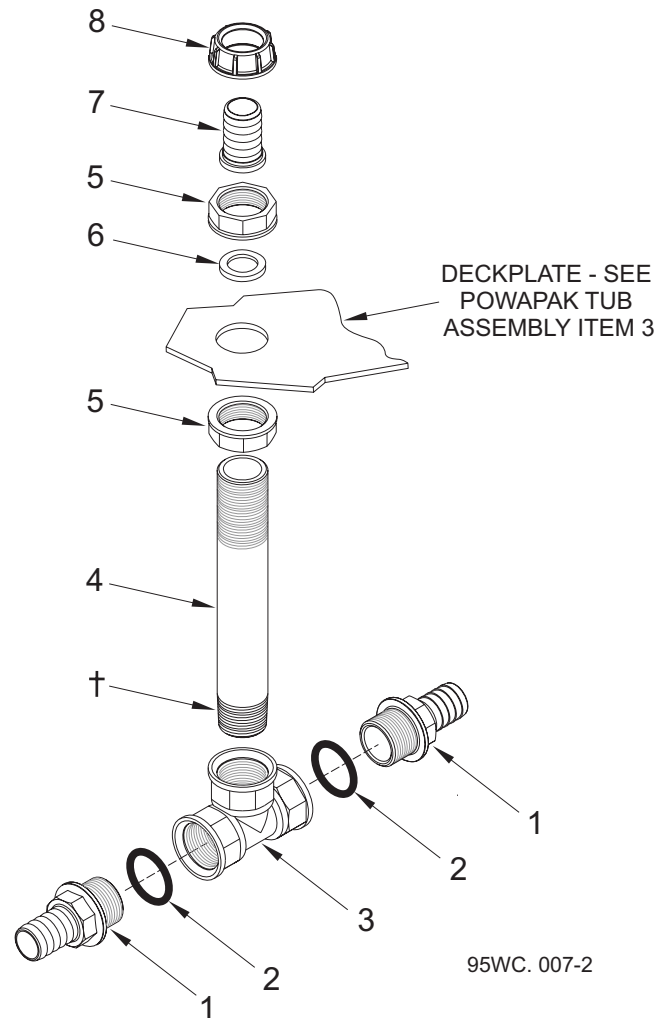


BoM 950511

Item No.	Part No.	Description	Quantity
1	281695-1	Rear Panel - System Locker	1
2	124-272	Screw M16 x 45	2
	460-14	Washer - Spring	2

BoM 950512

	282816-2	Valance Access Hatch comprising items 3 to 7	
3	282803-1	Neoprene Flap	1
4	282804-1	Securing Plate	1
5	282802-1	Tension Plate	1
6	124-135	Bolt M8 x 20	8
	455-10	Washer - Plain	8
	425-14	Nut - Nyloc M8	8
7	283-36	Drop - Loc Bolt	1
	455-10	Washer - Plain	1
	425-14	Nut - Nyloc M8	1
8	281922-1	Bracket - Hose Support	1
	124-137	Screw M8 x 25	2
	455-10	Washer - Plain	2
	425-14	Nut - Nyloc M8	2

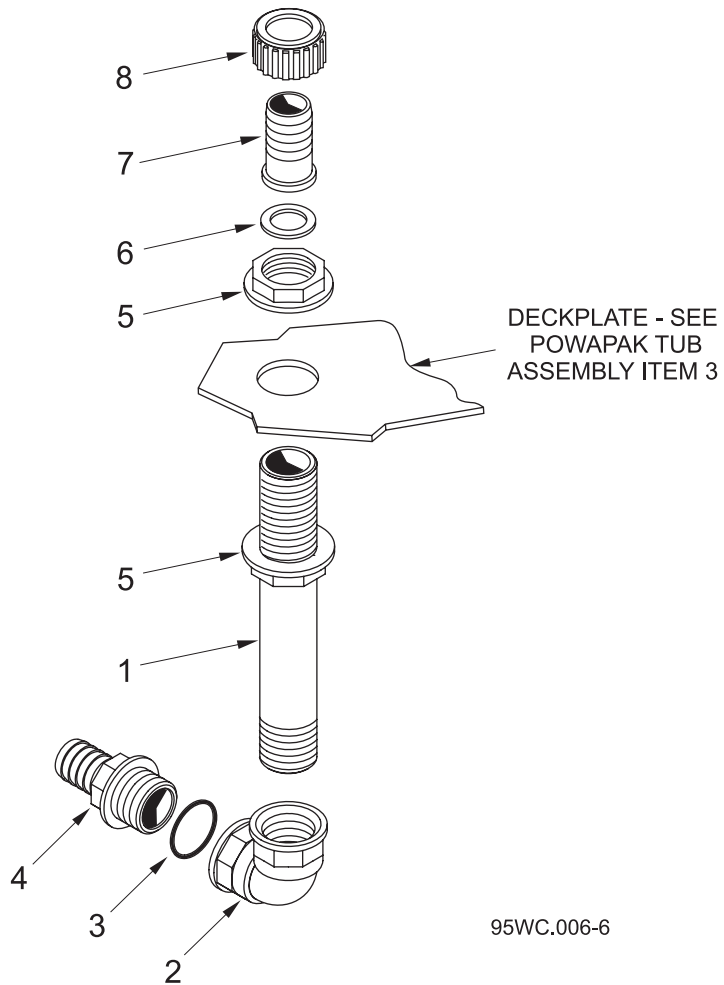
3/4" Water System Feed Pipe Assembly

BoM 950512

Item No.	Part No.	Description	Quantity
	281670-1	3/4" System Feed Pipe Assembly	
1	277-130	Hose Tail 3/4" NB x G3/4"	2
2	277-148	'O' Ring	2
3	277-133	Equal Tee	1
4	281668-1	PVC Pipe	1
5	277-164	Backnut G3/4"	2
6	277-160	Gasket	1
7	277-158	Hose Tail Flat Seat G3/4"	1
8	277-159	Flynut G3/4"	1

Notes

Use Loctite 5331 to seal thread marked †.
 Do not use PTFE (Teflon) based tape to seal other threads.
 To avoid breakage do not over tighten screwed fitting.

1" Water Pump Suction Pipe Assembly



BoM 950512

Item No.	Part No.	Description	Quantity
	283793-2	1" Pump Suction Pipe Assembly	
1	281667-1	Pipe - Water 1"	1
2	277-129	Elbow 1" BSP x 90°	1
3	277-149	'O' Ring	1
4	277-125	Hosetail 1" BSP / 1" NB Hose	1
5	277-165	Backnut 1"	2
6	277-163	Gasket	1
7	277-161	Hosetail 1" BSP	1
8	277-162	Flynut 1" BSP	1

Notes

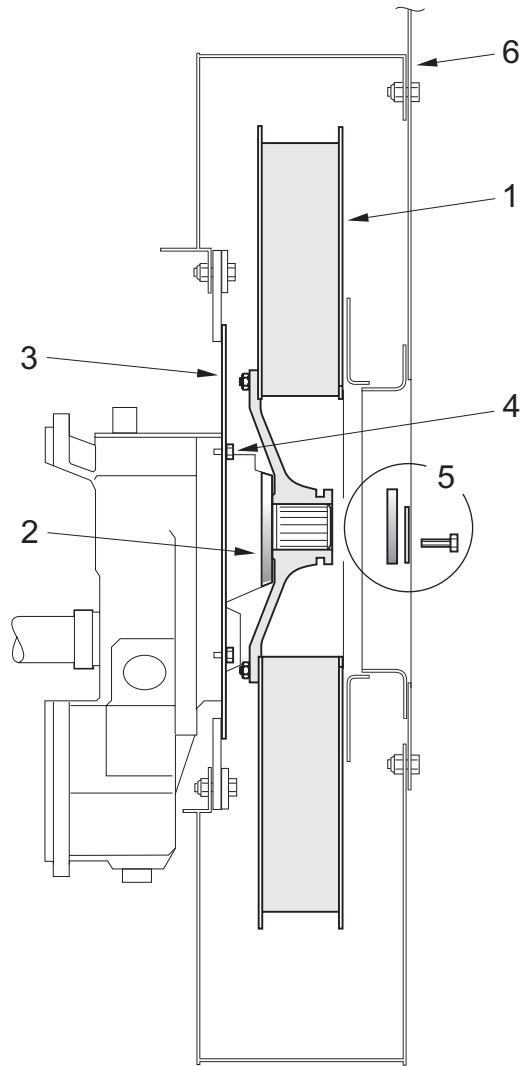
Use Loctite 5331 to seal thread marked †.
Do not use PTFE (Teflon) based tape to seal other threads.
To avoid breakage do not over tighten screwed fitting.

22.PD

VT and VS Fan Impellers and Fan Case

Table of Contents

Section	Page
VT and VS Suction System	
Fan Impeller Installation	22.PD : 2
Fan Case	22.PD : 4
Fan Case Outlet Flap	22.PD : 6

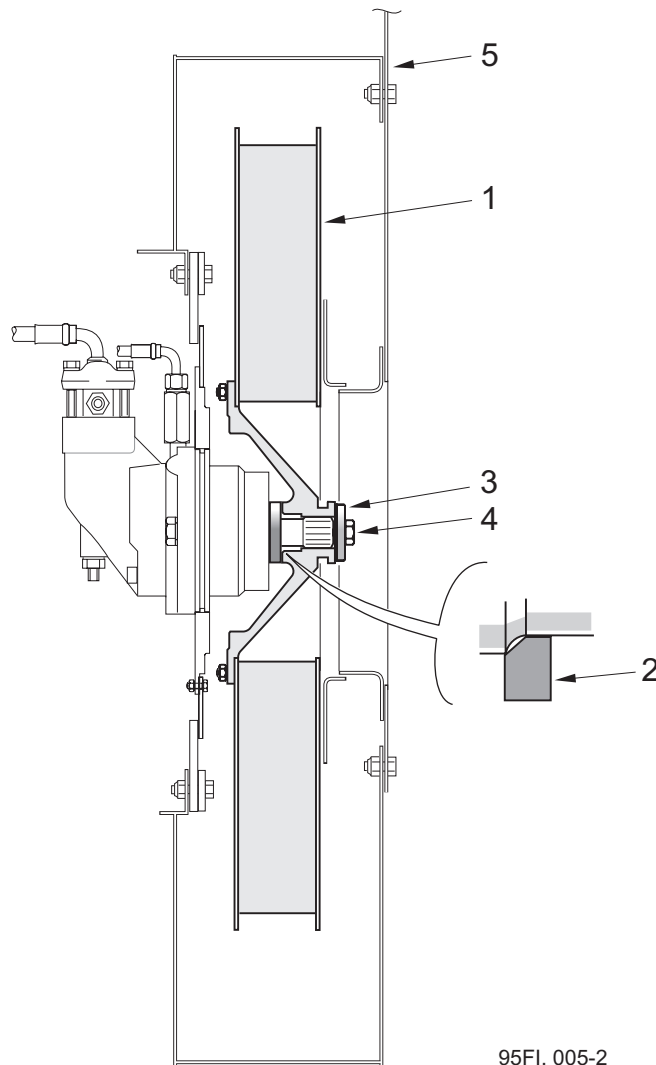
VT Fan Impeller Installation


95FI. 005

BoM 950513

Item No.	Part No.	Description	Quantity
> 1	280730-1	Fan Impeller x Ø760 - Iveco & JD Std. Power Engines	1
	280830-1	Fan Impeller x Ø800 - Iveco & JD High Power Engines	1
2	62025-1	Spinner - Gearbox	1
3	42284-1	Mask - Fan Case	1
4	837-37	Screw - Special M8 x 20	4
5	-	Impeller Retention - See Gearbox in section 22.PE	
6	-	Fan Case and Fittings - See over next page	

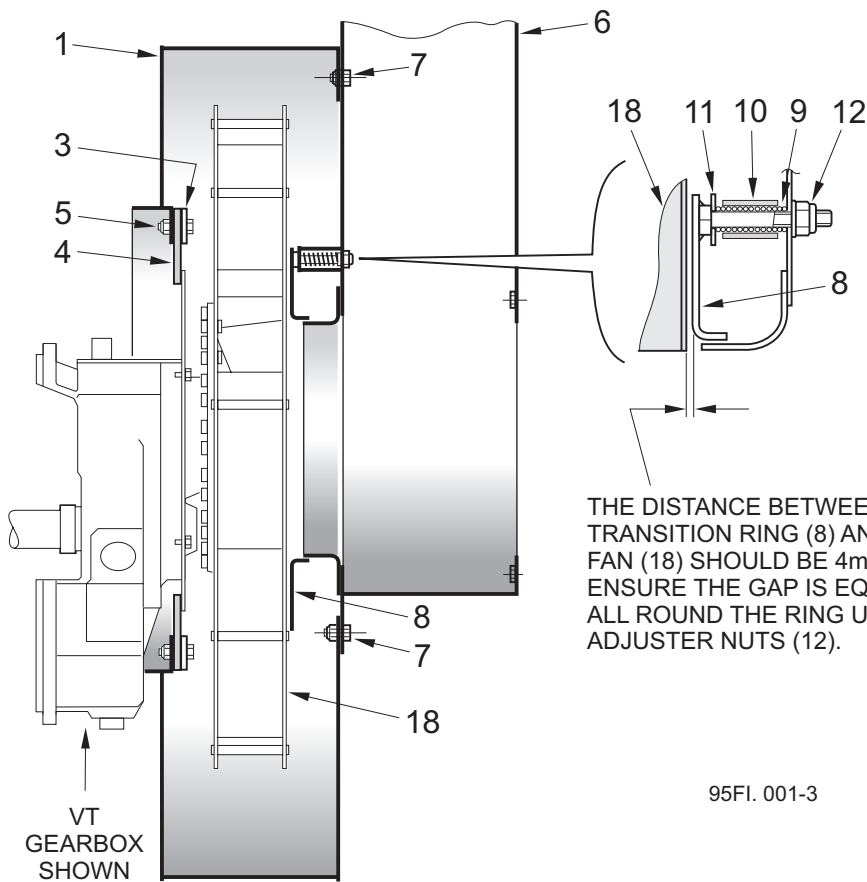
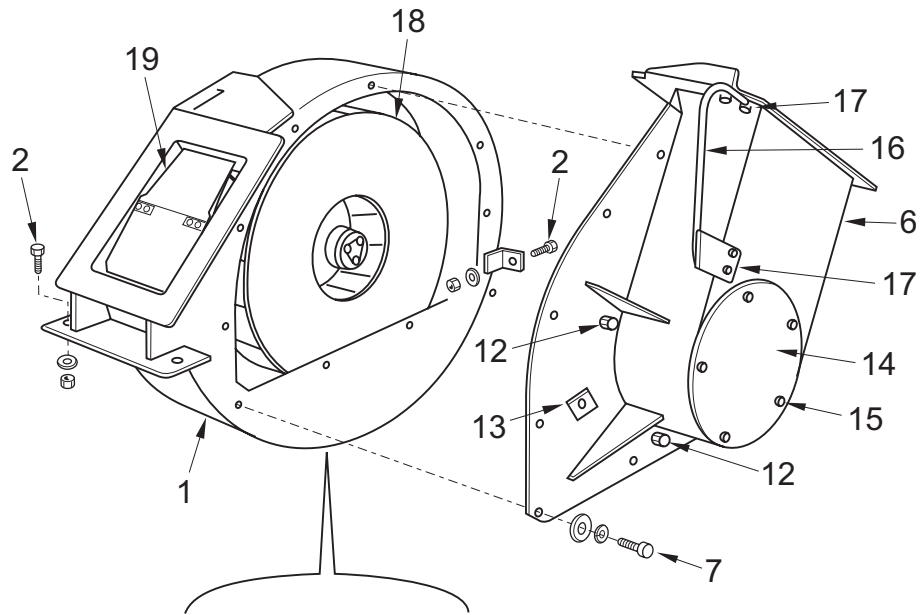
VS Fan Impeller Installation



BoM 950513

Item No.	Part No.	Description	Quantity
1	280830-2	Fan Impeller x Ø800	1
2	78401-1	Spacer	1
3	78404-1	Washer	1
4	124-205	Screw M12 x 35	1
	460-12	Washer- Spring	1
5	-	Fan Case and Fittings - See next page	

Fan Case



95FI. 001-3

Fan Case

BoM 950513

Item No.	Part No.	Description	Quantity
1	282390-1	Fan Case	1
2	124-169	Screw M10 x 25	4
	455-11	Washer - Plain M10	4
	425-15	Nut - Nyloc M10	4
3	42239-2	Flange	1
4	42382-1	Diaphragm	1
5	124-137	Screw M8 x 25	12
	425-14	Nut - Nyloc M8	12
6	93875-1	Fan Case Cover	1
7	124-135	Screw M8 x 20	10
	460-10	Washer - Spring M8	10
	457-4	Washer - Extra Large M8	10
8	42401-1	Transition Ring	1
9	285-2	Spring - Compression	3
10	62770-1	Sleeve	3
11	457-5	Washer	3
12	425-15	Nut - Nyloc M10	3
	455-11	Washer - Plain M10	3
13	42587-1	Cover Plate	1
	124-134	Screw M8 x 16	1
	460-10	Washer - Spring M8	1
14	42238-1	Access Cover	1
15	124-134	Screw M8 x 16	5
	460-10	Washer - Spring M8	5
>	455-10	Washer - Plain M8	5
16	62407-1	Grab Handle	1
17	124-135	Screw M8 x 20	4
	460-10	Washer - Spring M8	2
	426-4	Nut M8	2
18	-	Suction Fan Impeller - See over previous page	1
19	-	Safety Flap Assembly - See next page	1

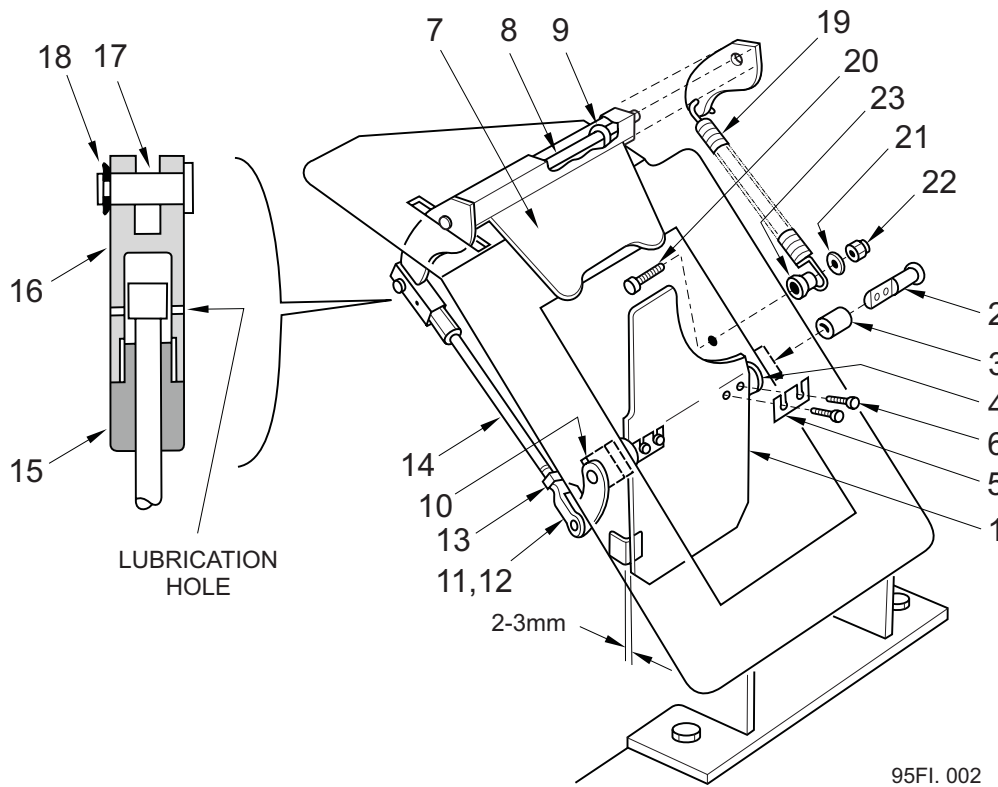
Fan Case Outlet Flap



Safety Precautions



Ensure the outlet flap is correctly set - see below.



95FI. 002

Setting Procedures

There should be 2-3mm of free play between the flap (1) and the angle stop inside the fan outlet, as shown, when the flap actuator (7) is fully depressed against the fan case seal face. Adjustment is made by releasing the yoke end locknut (13) and rotating the actuation rod (14) to move the yoke end up or down the rod as required. Having achieved the correct setting, retighten the locknut.

Fan Case Outlet Flap

Item No.	Part No.	Description	Quantity
	282383-1	Safety Flap Assembly comprising:	
1	42582-1	Safety Flap	1
2	42729-1	Rod - Pivot	1
3	29128-1	Bush	2
4	42728-1	Spacer	2
5	42723-1	Tab - Washer	2
6	124-134	Screw M8 x 16	4
7	42947-1	Flap - Actuator	1
8	42993-1	Actuator Rod	1
9	42992-1	U-Bolt	2
	460-8	Washer - Spring M6	4
	420-13	Nut M6	4
10	42952-1	Actuator Flap	1
11	289-4	Yoke End	1
12	289-21	Pin - Spring	1
13	420-15	Locknut M10	1
14	42990-5	Actuation Rod	1
15	42986-1	Sleeve	1
16	42988-1	Clevis	1
17	29145-2	Pin - Clevis	1
18	39624	Spring Retaining Clip	1
19	80766-1	Tension Spring	1
20	123-108	Bolt M8 x 40	1
21	457-4	Washer - Plain M8	1
22	425-14	Nut - Nyloc M8	1
23	42586-1	Spacer	1

Notes

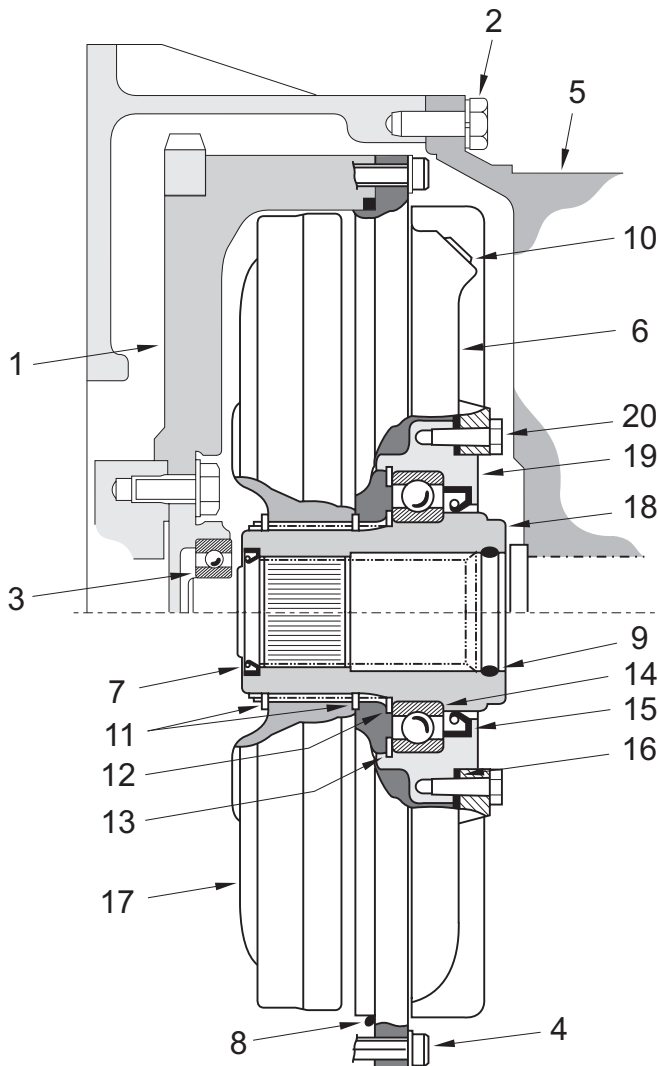
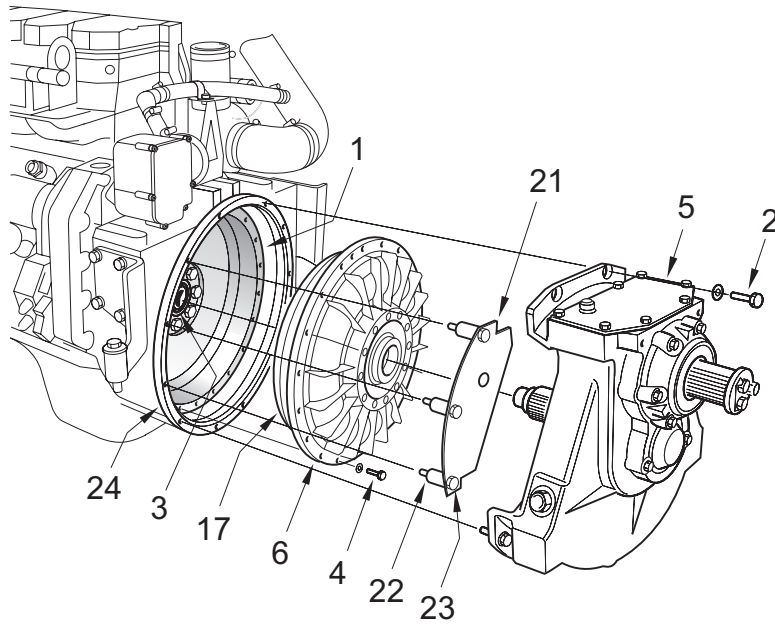
22.PE

VT Transmission

Table of Contents

Section	Page
VT Transmission	
Fluid Coupling	22.PE : 2
Fan Drive Gearbox	22.PE : 4

Fluid Coupling



95FC. 001-5

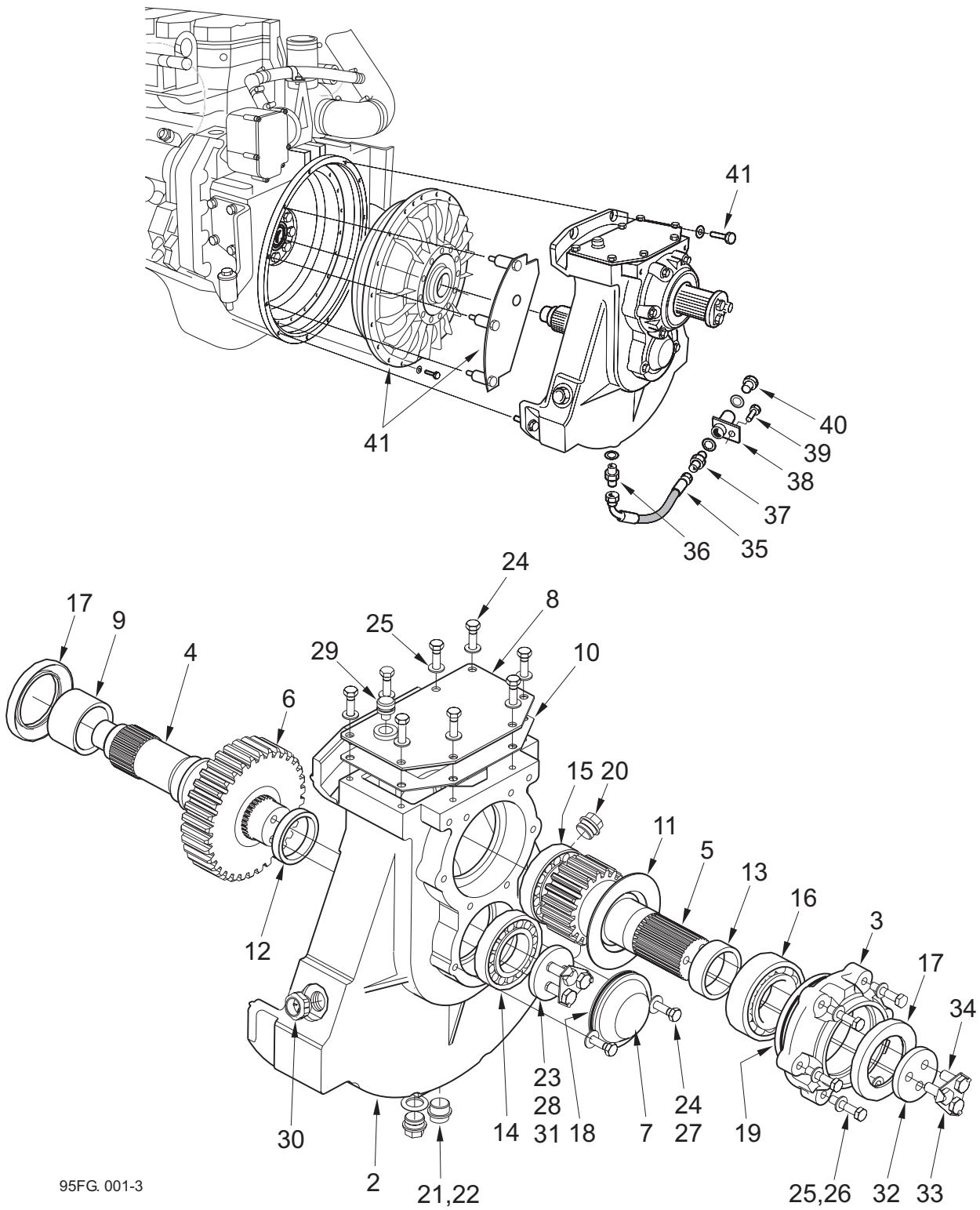
Fluid Coupling

Item No.	Part No.	Description	Quantity
1	-	Flywheel - See relevant Dressed Engine Section	
2	123-131	Bolt M10 x 55	6
	460-11	Washer - Spring	6
3	14-7	Bearing	1
4	129-127	Cap Head Screw M8 x 30	20
	452-57	Washer - Plain	20
5	-	Gearbox - See next page	1
6	295150-1	Fluid Coupling - Iveco	1
	295151-1	Fluid Coupling - John Deere	1
7	77-39	Rotary Seal	1
8	656-1	'O' Ring	1
9	656-2	'O' Ring	1
10	656-3	Fusible Plug	1
11	656-4	Circlip - External	2
12	656-5	Circlip - External	1
13	656-6	Circlip - Internal	1
14	656-7	Bearing	1
15	656-8	Oil Seal	1
16	656-9	Gasket	1
17	656-10	Impeller Inner	1
18	656-12	Centre Hub	1
19	656-13	Bearing Carrier	1
20	656-14	Screw	12
	42501-500	Overhaul Kit Comprising Items:- 3, 7, 8, 9, 10, 11, 12, 13, 14, 15, 16	
21	42299-1	Safety Cover	2
22	920000-32	Spacer - Plain	6
23	123-134	Bolt M10 x 70	6
	460-11	Washer - Spring	6
24	63641-1	Adaptor Ring - John Deere engines only	1

Notes

On assembly, coat internal spline of Item 18 with Kluber Paste 46MR410, JSL Part No. 94-24

Fan Drive Gearbox



95FG. 001-3

Fan Drive Gearbox

Item No.	Part No.	Description	Quantity
	42270-1	Gearbox comprising items 2 to 34:-:	1
2	42271-2	Casing - Gearbox	1
3	42272-2	Housing - Bearing	1
4	42466-1	Shaft - Input	1
5	42274-19	Shaft - Output	1
6	42275-34	Gear	1
7	42255-1	Cap - Bearing	1
8	42277-1	Plate - Cover	1
9	42278-1	Spacer	1
10	42279-1	Gasket	1
11	42280-1	Washer	1
12	42281-1	Spacer	1
13	42283-1	Spacer	1
14	10-21	Bearing	1
15	10-22	Bearing	1
16	14-46	Bearing	1
17	77-21	Seal - Rotary	2
18	80-95	Seal - 'O' Ring	1
19	80-100	Seal - 'O' Ring	1
20	54-4	Plug - Collar	3
21	13109	Plug - Magnetic	1
22	451-126	Washer - Copper	1
23	121-41	Screw M10F x 25	3
24	124-137	Screw M8 x 25	10
25	460-10	Washer - Spring M8	16
26	124-143	Screw M8 x 40	6
27	457-4	Washer - Extra Large M8	2
28	42659-1	Tab Washer	1
29	16978-1	Breather	1
30	87-7	Oil Level Indicator	1
31	42282-2	Clamp Plate	1
	283803-1	Fixing Kit comprising items 32 - 34:-	
32	42282-3	Clamp Plate	1
33	42659-1	Tab Washer	1
34	121-43	Screw M10F x 30	3
35	HC08001-48	Hose 1/2"	1
36	263-4	Adaptor G 1/2"	1
	451-19	Washer - Sealing	1
37	265-4	Adaptor G3/8" x 1/2"	1
	451-18	Washer - Sealing G 3/8"	1

Fan Drive Gearbox

Item No.	Part No.	Description	Quantity
38	40525-1	Drain - Gearbox	1
39	124-167	Screw M10 x20	1
	460-11	Washer - Spring	1
	420-15	Nut M10	1
40	3823	Plug 3/8" BSP	1
	451-18	Washer - Sealing G 3/8"	1
41	-	Fluid Coupling - See elsewhere in this Section	

Notes

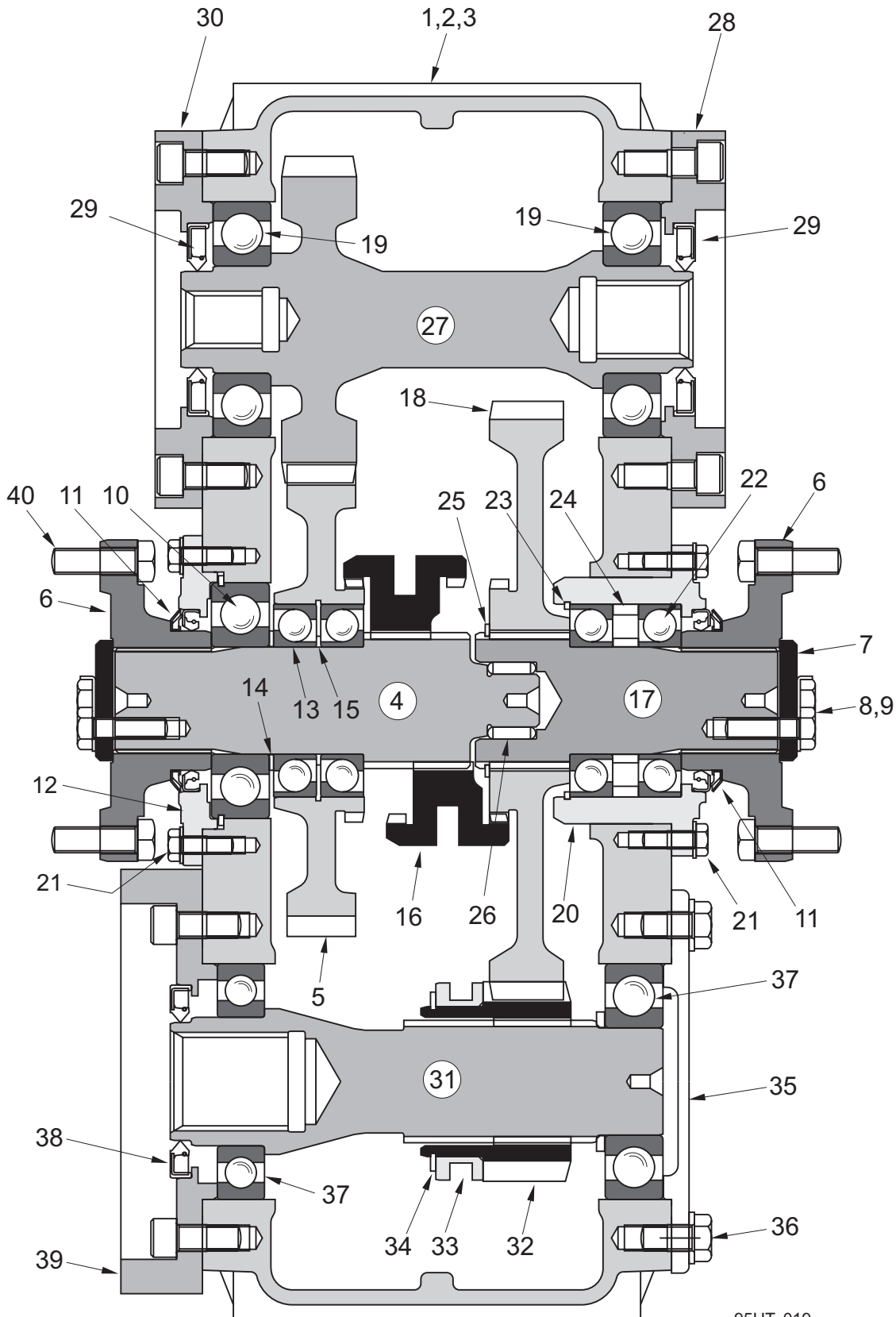
22.PF

VS HydroDrive Transmission

Table of Contents

Section	Page
Gearbox and Selectors	
Gearbox Assembly	22.PF : 2
Gearbox Selector Assemblies	22.PF : 6
Ancillary Equipment	
Pumps and Motors	22.PF : 8
Port Fittings	22.PF : 12
Settings and Assembly Details	22.PF : 18
Remote Transmission Filter	22.PF : 19
Hydraulic Hoses	
Hydrodrive Hoses	22.PF : 20
Hydrodrive Installation Hoses	22.PF : 22
Gearbox Installation	
Gearbox Installation	22.PF : 24
Prop Shafts and Sensors	22.PF : 25

Mk III Gearbox Assembly

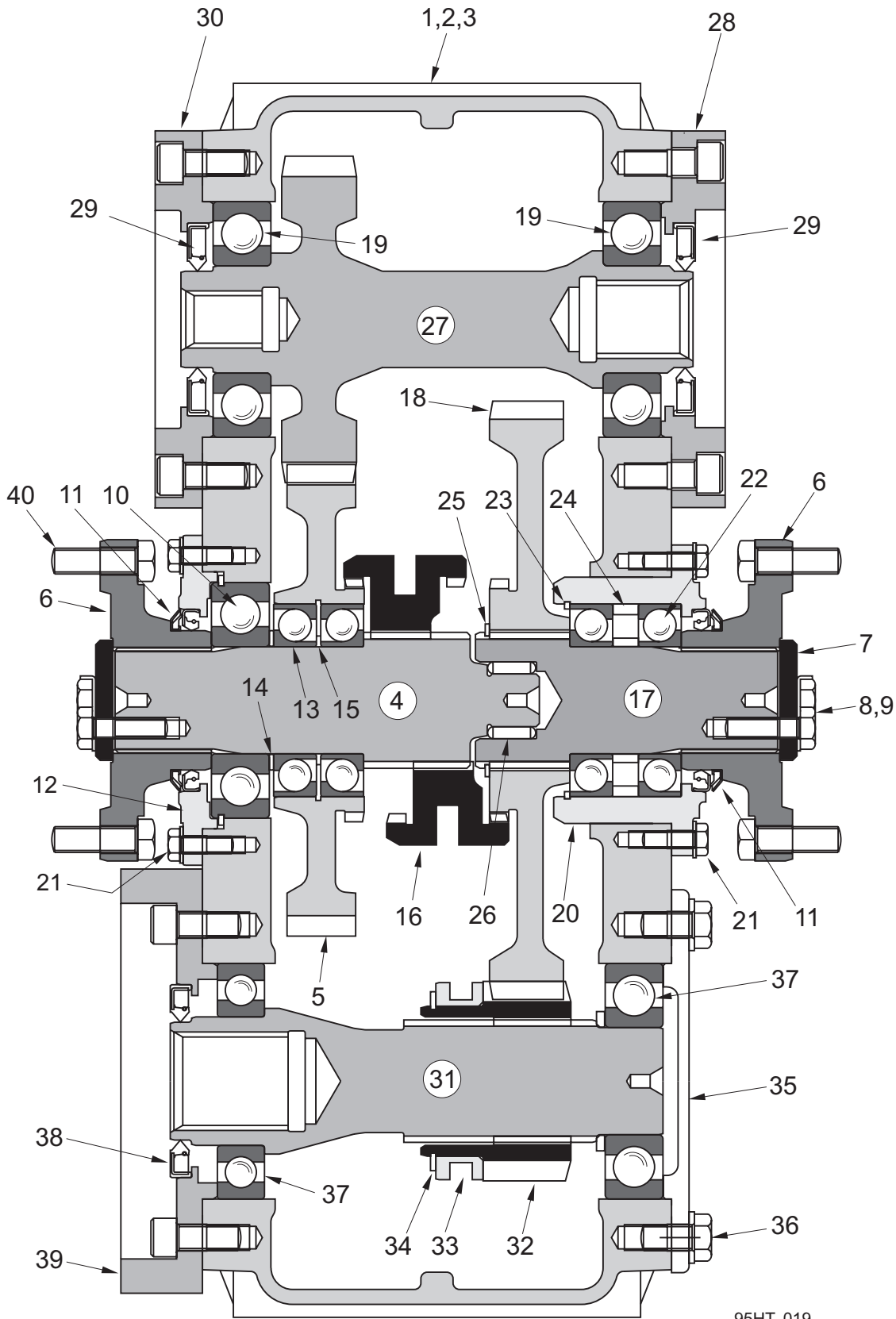


95HT. 019

Mk III Gearbox Assembly

Item No.	Part No.	Description	Quantity
	29800-3	Gearbox Assembly comprising:	
1	29701-1	Case	1
2	280195-1	Lid	1
3	124-134	Screw M8 x 16	12
	460-10	Washer - Spring M8	12
	29770-1	Gear Set comprising items 4,5,6, 16,17,18, 27, 31,32.	
4	29706-1	Shaft - Input	1
5	29708-1	Gear - Input	1
6	29714-1	Drive Flange	2
7	29518-1	Washer	2
8	121-45	Screw M10F x 35	6
9	29521-1	Tab Washer	2
10	14-53	Ball Bearing - Snap Ring	1
11	77-40	Combi Seal	2
12	29722-1	Housing - Input	1
13	14-37	Bearing - Angular Contact	2
14	29732-1	Spacer - Input	1
15	29512-1	Ring and Circlip	1
16	29715-1	Sliding Dog Gear	1
17	29767-1	Shaft - Output	1
18	29766-1	Output Gear	1
19	14-54	Ball Bearing	2
20	29771-1	Housing - Output, See notes over page.	1
21	124-37	Screw M8 x 25	14
	460-10	Washer - Spring M8	1
22	14-55	Bearing - Angular Contact	2
23	28-36	Circlip - Internal	1
24	29772-1	Spacer Assembly - Output Bearings Comprises Inner and Outer Spacers	1
25	27-23	Circlip	1
26	12-24	Needle Roller	17
27	29746-1	Shaft - Trans Pump/Water Pump Drive	1
28	29729-1	Adaptor Flange - Motor (Transmission)	1
29	77-42	Oil Seal	2
30	29728-1	Adaptor Flange - Pump (Fan)	1
31	29712-1	Shaft - Trans. Motor Driven	1
32	29765-1	Gear - Trans. Motor Driven	1
> 33	29765-3	Sleeve	1
34	27-13	Circlip	1

Mk III Gearbox Assembly



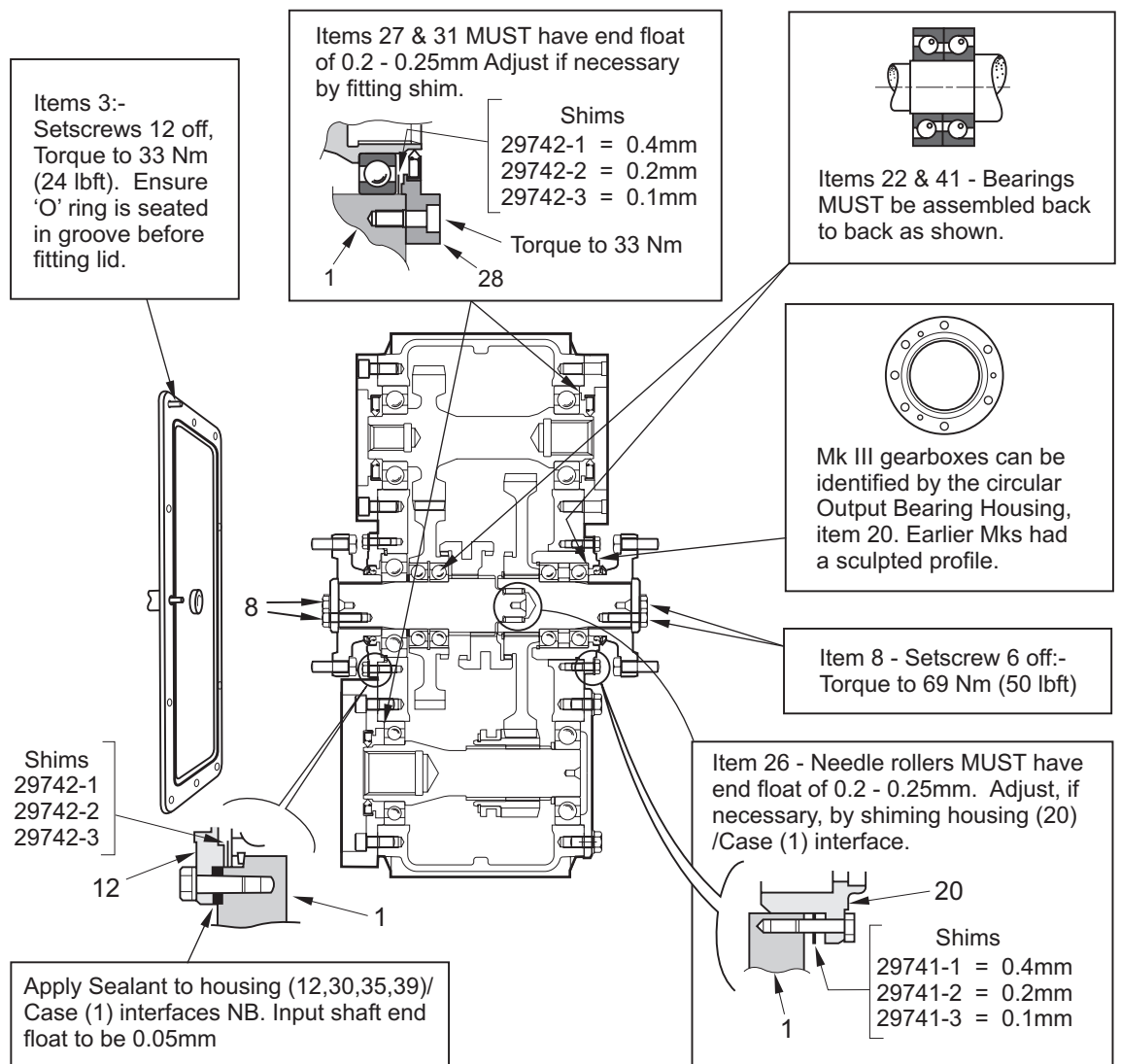
95HT. 019

Mk III Gearbox Assembly

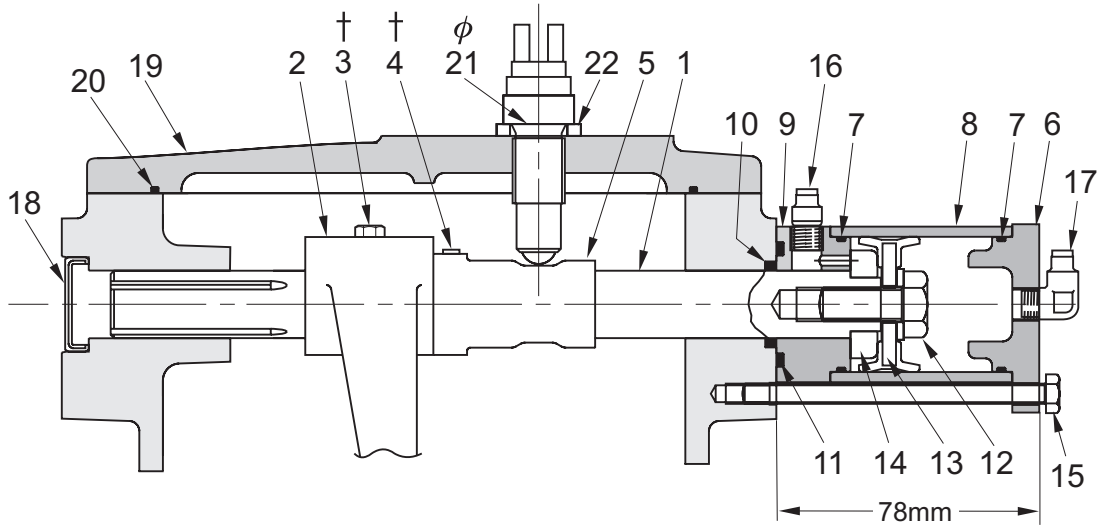
Item No.	Part No.	Description	Quantity
35	29730-1	End Cap	2
36	124-201	Screw M12 x 25	4
	460-12	Washer - Spring M12	4
37	14-26	Ball Bearing	2
38	77-41	Oil Seal	1
39	29726-1	Flange - Motor Adaptor	1
40	121-81	Bolt M12f x 50	8
	419-12	Nut M12f Torque Prevailing	8

Notes

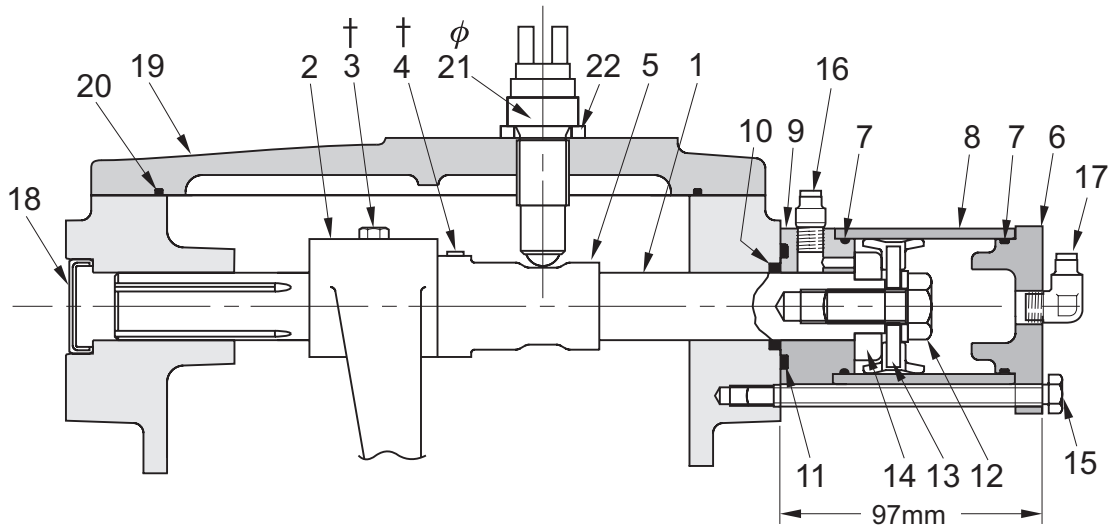
Mk I and Mk II gearboxes have never been fitted to VS machines



95HT. 023



INPUT SELECTOR (PUMP DRIVE)



OUTPUT SELECTOR (MOTOR DRIVE)

HT. 0007-2

Gear Selector Assemblies

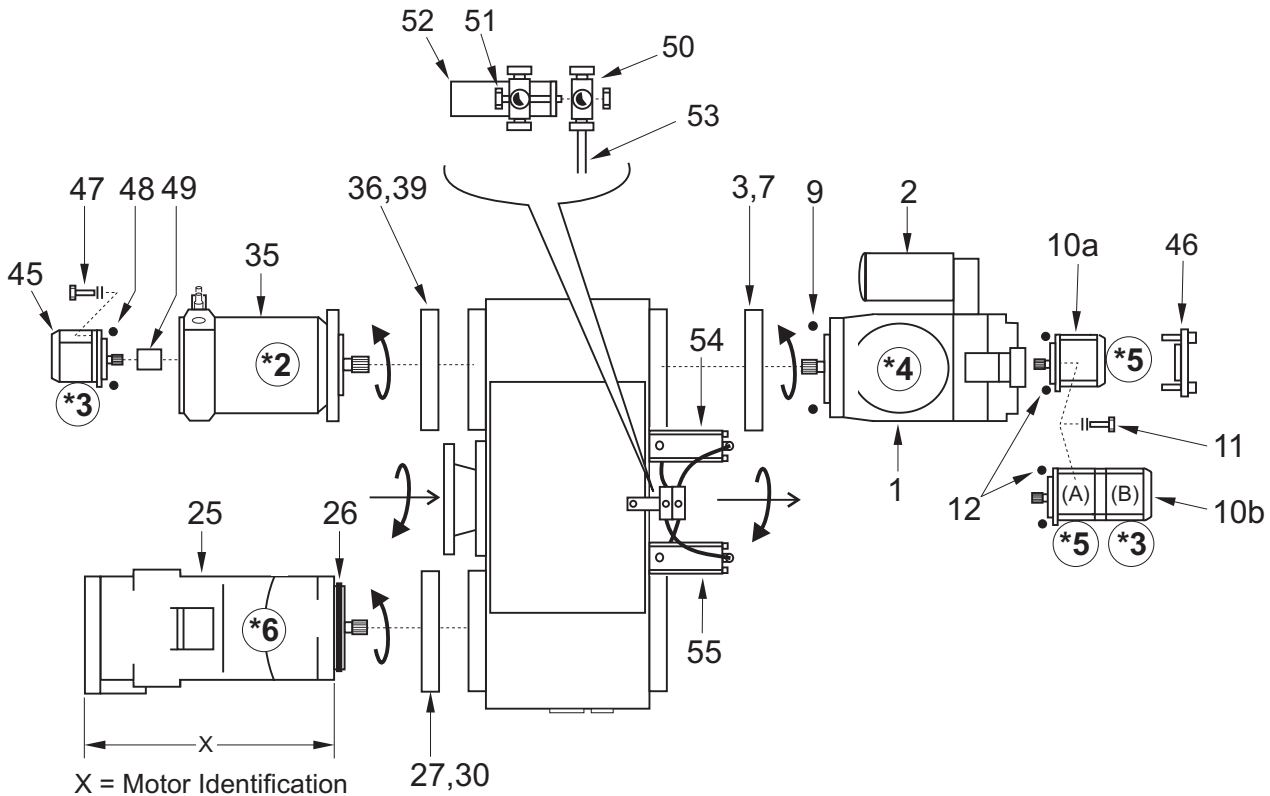
Item No.	Part No.		Description	Quantity Per Cylinder
	Input Selector	Output Selector		
1	29731-2	29731-1	Rod Air-shift	1
2	29523-1	29751-1	Yoke	1
3	29527-1	<	Bolt Retaining M10F	1
4	135-23	<	Grubscrew M6	1
5	29747-1	29748-1	Guide Sensor	1
6	29528-1	29763-1	Head	1
7	80-33	<	'O' Ring	2/1
8	29531-2	29764-1	Barrel	1
9	29529-1	29761-1	Gland	1
10	663-71	<	'O' Ring	1
11	80-55	<	'O' Ring	1
12	124-171	<	Setscrew M10 x 30	1
	455-11	<	Plain - Washer M10	1
13	28868-12	28868-15	Piston Seal	1
14	29533-1	<	Stroke Limiter	1
15	126-121		Setscrew M6 x 90	3
		124-123	Setscrew M6 x 100	3
	460-8	<	Washer - Spring M6	
16	537-3	<	Adaptor 6 x 1/8" BSP	1
17	552-3	<	Adaptor Elbow 6 x 1/8" BSP	1
18	221-2	<	End Cap	1
19	280195-1		Lid Cover	1
20	40-82		'O' Ring	1
21	282054-1	<	Switch Sensor	1
22	29756-1	<	Sensor Spacer	1
23	N/A	80-265	'O' Ring	2
24	N/A	29762-1	Sleeve	1
25	N/A	129-93	Bolt M6 x 16 Cap. Hd.	3

† Apply Loctite 275 to Item 3 Retaining Screw and torque to 58 Nm (43 Lbft)

∅ Apply Thread Sealant Loctite 542

Notes

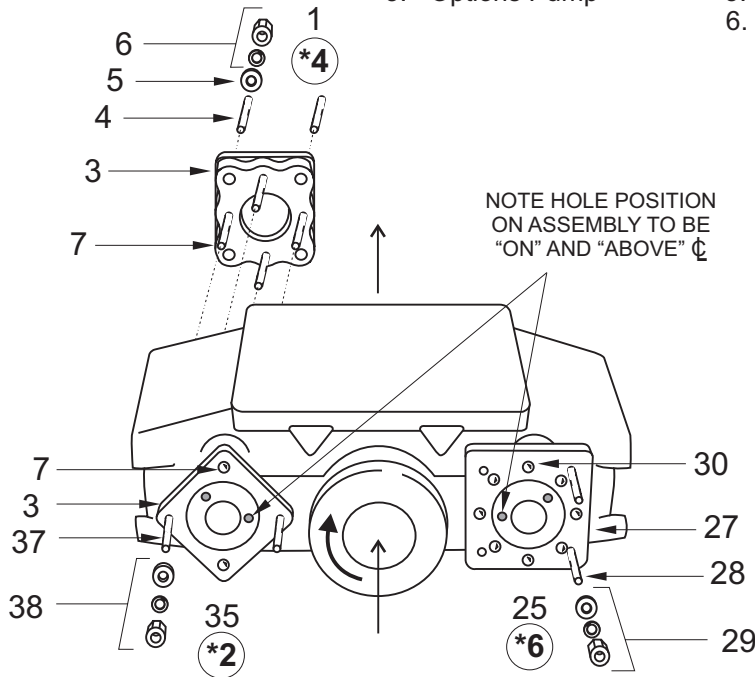
Pumps & Motors



X = Motor Identification
 374mm = 160cc Motor
 333mm = 110cc Motor

* Pump and motor identification numbers, 2 to 6, in balloons correspond with those used elsewhere in this chapter, i.e.:-

- | | |
|-------------------|-----------------------|
| 2. Fan Drive Pump | 4. Transmission Pump |
| 3. Options Pump | 5. Sweepgear pump |
| | 6. Transmission Motor |



NOTE HOLE POSITION ON ASSEMBLY TO BE "ON" AND "ABOVE" ↴

MOUNTING FLANGES AND HARDWARE

95HT. 024

Pumps & Motors

BoM 950412

Item No.	Part No.	Description	Quantity
1	97161-1	Transmission Pump - 55 series (CCW)	1
	97161-2	Forward/Reverse Servo Valve + EDC (Service Item)	
	97161-3	EDC (Solenoid + 'Mil' Plug Service Items)	
2	224-15	Filter Element - (Service item)	
3	29729-1	Adaptor Flange	1
4	29569-1	Stud - Shankd M12 x 65	4
5	45014-8	Spacer Ø13 x 8	4
6	460-12	Washer - Spring	4
	420-16	Nut M12	4
7	129-183	Cap Hd. Setscrew M12 x 25	4
8	-		
9	79-99	'O' Ring	1

BoM 950413

10a	239-7	Pump - Sweepgear (14cc/rev CCW Rotation)	1
10b	239-33	Tandem Pump - (A) Sweepgear, (B) Options (CCW Rotation) (Used when there is insufficient room to fit item (45) 2 x 14cc/rev)	
11	103-39	Bolt 3/8" UNC x 1 1/4"	2
	455-11	Washer - Plain M10	2
	460-11	Washer - Spring M10	2
12	79-97	'O' Ring - (Spares Item)	1
13 - 24	-		

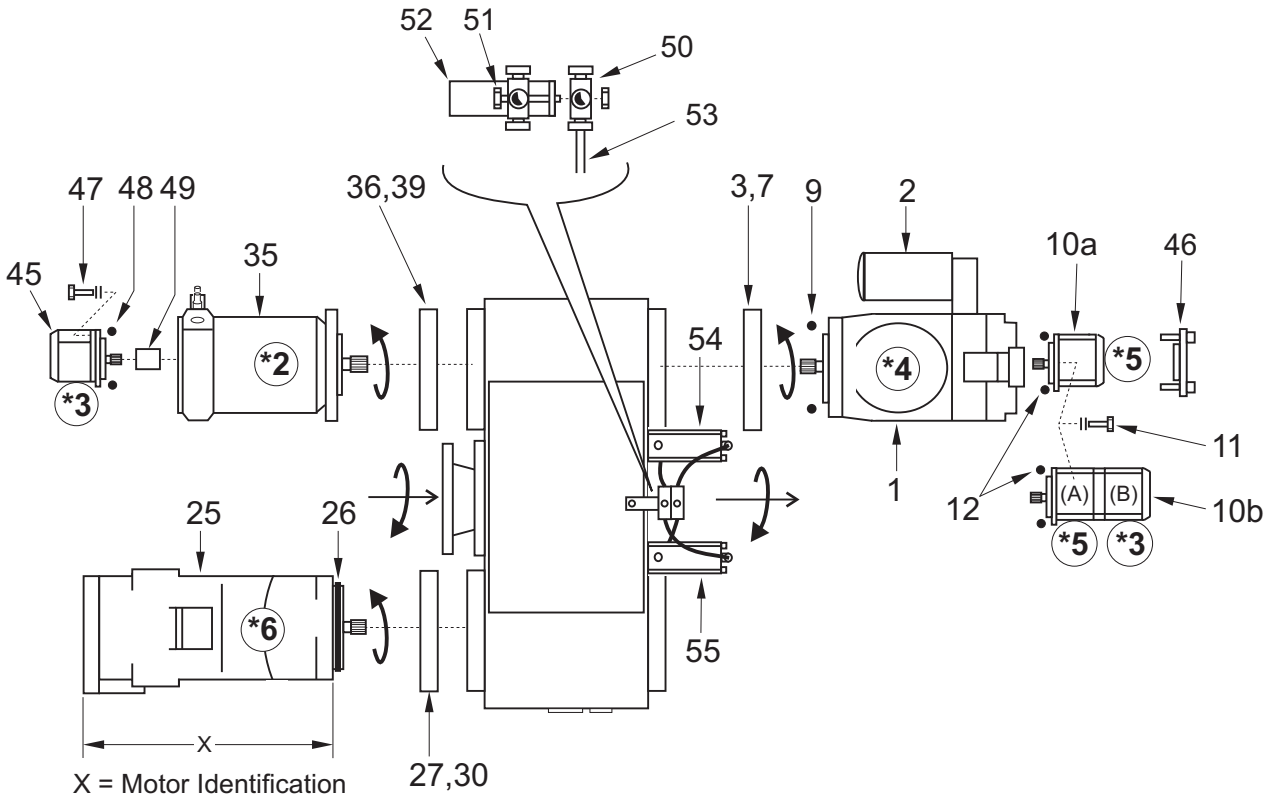
BoM 950412

25	29752-1	160cc Trans. Motor (HSR2) (CW Rotation) X = 374mm	1*
	29753-1	110cc Trans. Motor (HSR2) (CW Rotation) X = 333mm	1*
26	80-109	'O' Ring - (Spares item)	1
27	29726-1	Adaptor Flange	1
28	29758-1	Stud - Shankd M20 x 85	4
29	455-16	Washer - Plain M20	2
	460-16	Washer - Spring M20	2
	420-20	Nut M20	2
30	129-185	Cap Hd. Setscrew M12 x 30	8
31	-		

BoM 950412

35	29749-1	Pump - Fan Drive (CW Rotation)	1
36	29728-1	Adaptor Flange	1
37	29557-1	Stud - Shankd M12 x 80	2
38	455-12	Washer - Plain M12	2
	460-12	Washer - Spring M12	2
	420-16	Nut M12	2
39	129-183	Cap Hd. Setscrew M12 x 25	4

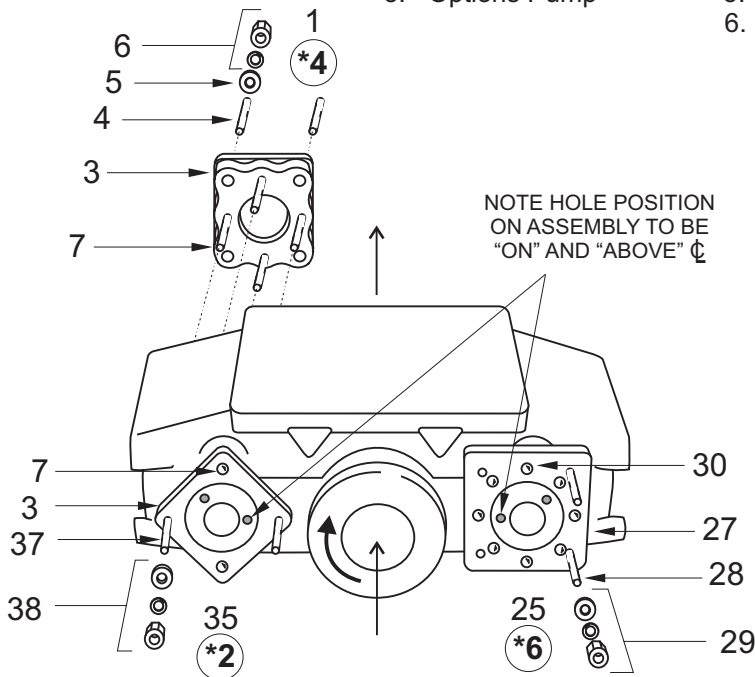
Pumps & Motors



X = Motor Identification
 374mm = 160cc Motor
 333mm = 110cc Motor

* Pump and motor identification numbers, 2 to 6, in balloons correspond with those used elsewhere in this chapter, ie:-

- | | |
|-------------------|-----------------------|
| 2. Fan Drive Pump | 4. Transmission Pump |
| 3. Options Pump | 5. Sweepgear pump |
| | 6. Transmission Motor |



MOUNTING FLANGES AND HARDWARE

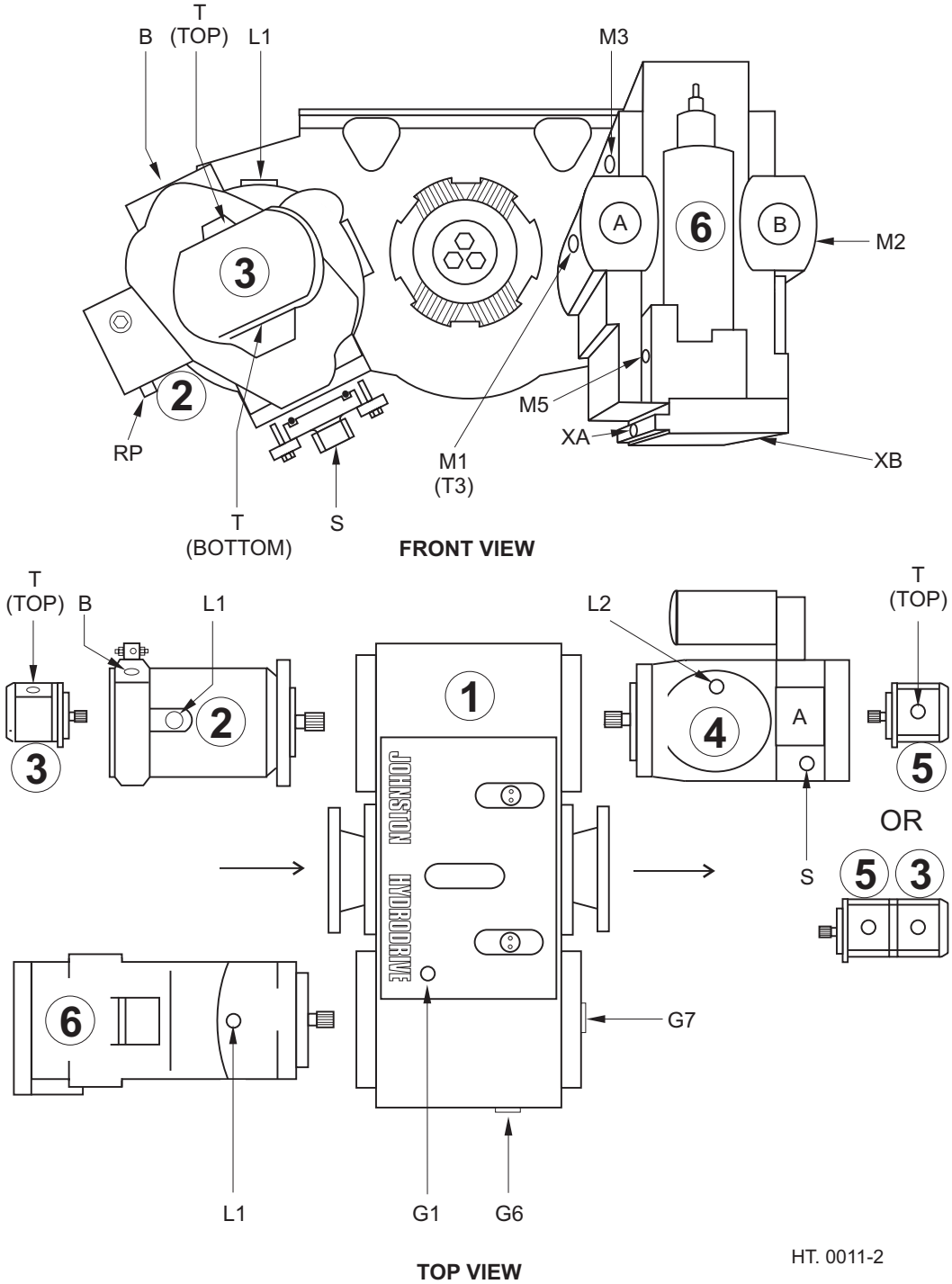
95HT. 024

BoM 950411

Item No.	Part No.	Description	Quantity
45	239-11	Pump - Options (14.4cc/rev CW Rotation)	1
46	-	Blanking Plate - Supplied with Item 35	
	129-154	Cap Hd. Screw M10 x 25	2
	460-11	Washer - Spring M10	2
47	103-39	Bolt 3/8"UNC x 1 1/4"	2
	455-11	Washer - Plain M10	2
	460-11	Washer - Spring M10	2
48	80-94	'O' Ring (Service item)] Spares	
49	294-22	Drive Adaptor - 9 x 23 Spline] Items	
50	527-3	Tee	2
51	124-112	Setscrew M6 x 45	1
	425-13	Nut M6 Nyloc	1
52	29559-1	Bracket - Mounting	1
53	273-20	Tubing Ø6mm Blue	0.6m
	4104-1	Sleeve	
	510-3	Nut	4
	511-3	Olive	4
54	-	Input selector assembly] See Gear Selector	
55	-	Output selector assembly] Assemblies	

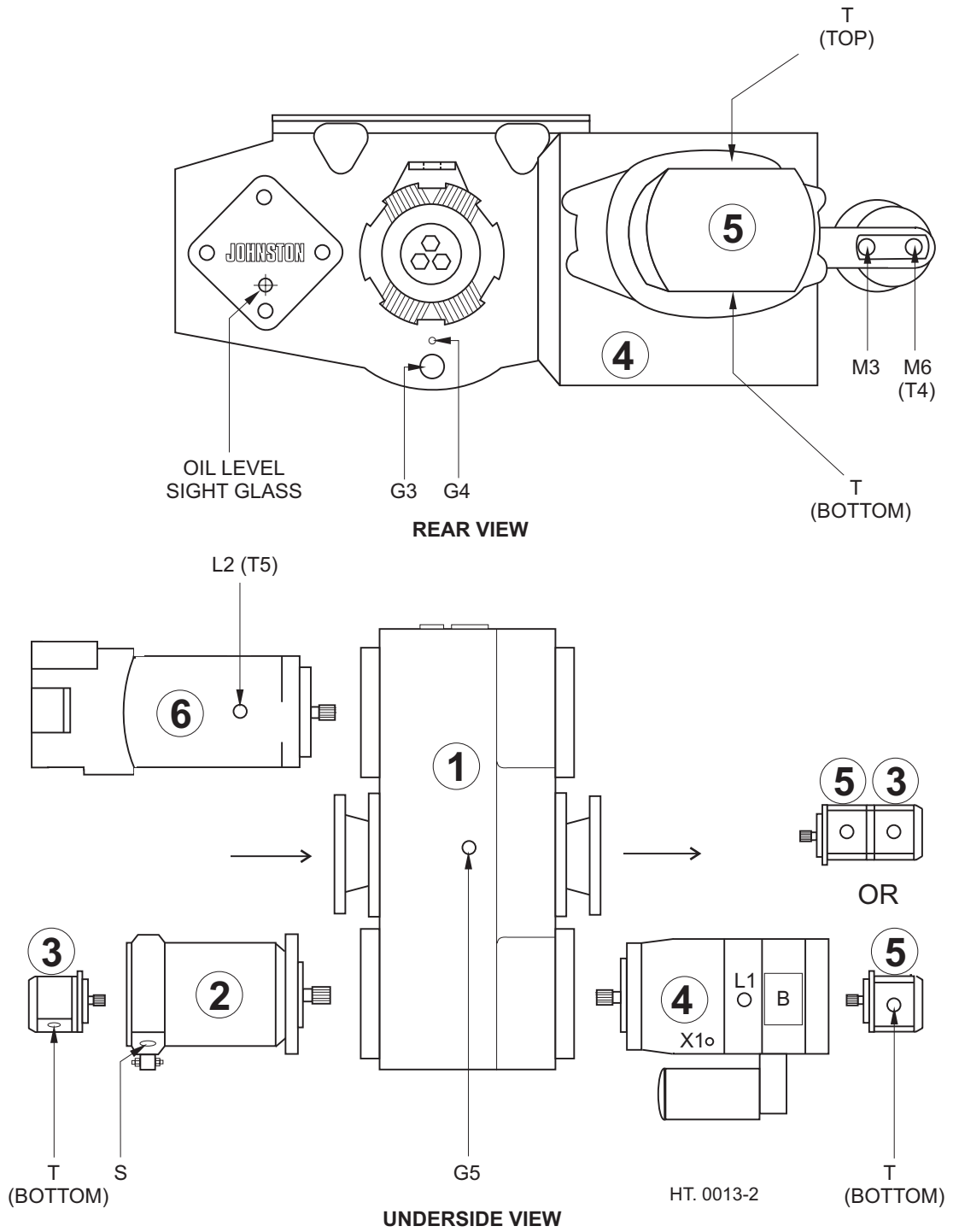
Notes

Port Fittings - Underside & Rear Views

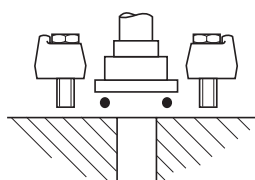
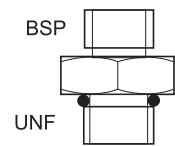
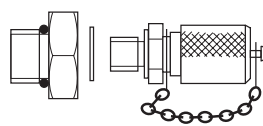
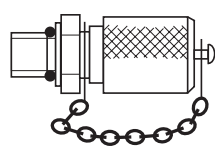
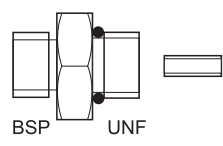
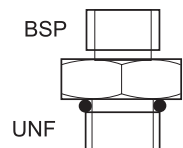
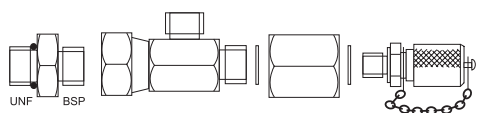


HT. 0011-2

Port Fittings - Underside & Rear Views



Port Fittings
BoM 950412
Transmission Motor (Item 6)

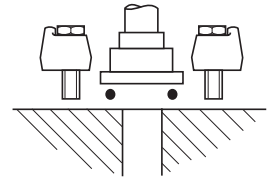
Port	Part No.	Description		
A & B	498-N09	1" H.P. Flange Kit - Comprising:-		
	40-74	'O' Ring Seal)Spares Item	1 off	
	N.S.S.	Flange Half	2 off	
	103-58	Bolt - Cap Head 7/16" UNC x 1 3/4"	4 off	
	450-30	Washer - Spring	4 off	
Tow Valve Option				
A & B	29757-1	Adaptor Block		
	151-100	Bolt 7/16" UNC x 3"		
	40-74	'O' Ring) Spares Item		
	263-4	Adaptor - 1/2" BSP		
L1 (Top)	499-4	Adaptor 1 1/16" UNF x 3/4" BSP for 110cc Motor		
	499-15	Adaptor 1 5/18" UNF x 3/4" BSP for 160cc Motor		
	79-18	'O' Ring Seal for 110cc Motor) Spares		
	80-?	'O' Ring Seal for 160cc Motor) Items		
L2 (Bottom)	90671-1	Test Point Adaptor 1 1/16" UNF for 110cc motor		
	66086-1	Test Point Adaptor 1 5/16" UNF for 160cc motor		
	79-18	'O' Ring Seal for 110cc Motor) Spares		
	80-54	'O' Ring Seal for 160cc Motor) Items		
	665-17	Test Point Valve		
	79-48	'O' Ring Seal) Spares Items		
M1 (Forward)	665-17	Test Point Valve		
	79-48	'O' Ring Seal) Spares Item		
M2 (Reverse)	29671-1	Adaptor 9/16" UNF x 1/4" BSP		
	79-48	'O' Ring Seal)Spares Item		
	28753-5	Orifice		
M3, M5 XA	499-2	Adaptor 9/16" UNF x 1/4" BSP		
	79-48	'O' Ring) Spares Item		
XB	79-48	'O' Ring) Spares Item		
	499-2	Adaptor 9/16" UNF x 1/4" BSP		
	255-11	Swivel Tee		
	457-17	Washer - Sealing	2 Off	
	2565-6	Adaptor G 1/4"		
	665-18	Test point G 1/4"		

Port Fittings

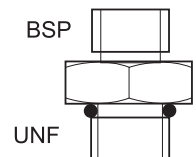
BoM 950412

Transmission Pump (Item 4)

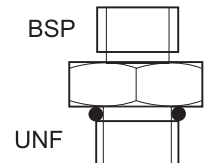
Port	Part No.	Description	
A	498-N09	1" H.P. Flange Kit - Comprising:	
	40-74	'O' Ring Seal	1 off
	N.S.S.	Flange Half	2 off
	103-58	Bolt 3/8" UNC x 1 1/2") Spares	4 off
	450-30	Washer - Spring) Items	4 off
B	498-N09	1" H.P. Flange Kit - Comprising:-	
	40-74	'O' Ring Seal	1 off
	N.S.S.	Flange Half	2 off
	103-58	Bolt 7/16" UNC x 1 3/4") Spares	4 off
	450-30	Washer - Spring) Items	4 off



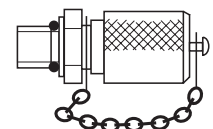
X1	499-2	Adaptor 9/16" UNF x G 1/4"
	79-13	'O' Ring Seal) Spares Item



L1	499-4	Adaptor 1 1/16" UNF x G 3/4", includes:-
	79-18	'O' Ring Seal) Spares Item
L2	499-4	Adaptor 1 5/16" UNF x G 3/4", includes:-
	79-8	'O' Ring Seal) Spares Item
M3	499-2	Adaptor 9/16" UNF x G 1/4"
	79-48	'O' Ring Seal) Spares Item
	255-11	Swivel Tee
S	499-5	Adaptor 1 5/16" UNF x G 1", includes:-
	80-54	'O' Ring Seal) Spares Item

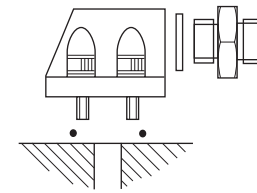
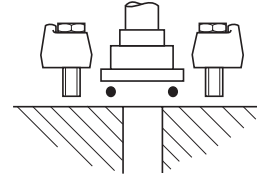


M6	665-17	Test Point Valve
	79-48	'O' Ring Seal) Spares Item

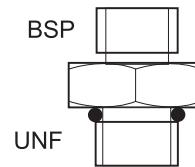


Port Fittings
BoM 950412
Fan Drive Pump (Item 2)

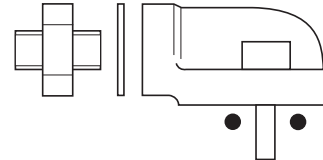
Port	Part No.	Description	Spares Items	Quantity
B	498-N03	1" L.P. Flange Kit - Comprising:-		1 off
	79-78	'O' Ring Seal		2 off
	N.S.S.	Flange Half		4 off
	103-41	Bolt 3/8" UNC x 1 1/2"		
	450-29	Washer - Spring	4 off	
S	802853-1	Adaptor Block		
	79-85	'O' Ring Seal		
>	151-115	Cap Hd. Screw 1/2" UNC x 1 1/2"		
	450-31	Washer - Spring		
	263-8	Adaptor 1 1/4" BSP		
	451-111	Washing - Sealing		



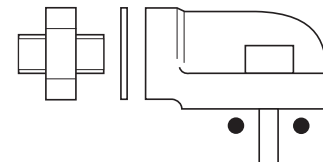
L	499-12 79-8	Adaptor 7/8" UNF x G 1/2", includes:- 'O' Ring Seal) Spares Item		
RP	499-1 79-13	Adaptor 7/16" UNF x G 1/4", includes:- 'O' Ring Seal) Spares Item		


BoM 950413 and 950414
Sweep Gear Pump (Item 5)

T	262-7	Elbow 1" BSP)	
Inlet (Top)	79-34	'O' Ring Seal) Spares	
	129-123	Cap Hd. Screw M8c x 20mm) Items	
	460-10	Washer - Spring M8)	
	265-10	Adaptor 3/4" x 1" BSP		
	451-22	Washer - Sealing 1" BSP		



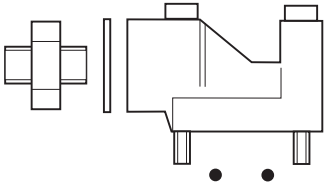
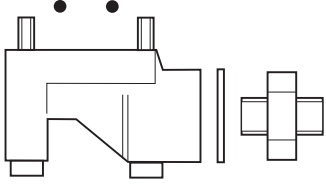
T	262-4	Elbow 1/2" BSP)	
Outlet (Bottom)	79-34	'O' Ring Seal) Spares	
	129-123	Cap Hd. Screw M8c x 20mm) Items	
	460-10	Washer - Spring M8)	
	263-4	Adaptor 1/2" BSP		
	451-19	Washer - Sealing 1/2" BSP		



Port Fittings

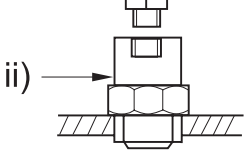
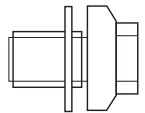
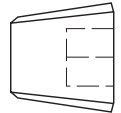
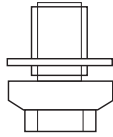
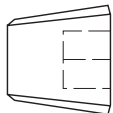

BoM950413

Options Pump (Item 3)

Port	Part No.	Description	
T Outlet (Top)	247-1	Elbow 1/2" BSP	
	79-34	'O' Ring Seal	
	51-55	Cap Hd. Screw	
		5/16" UNC x 2 1/4"	
	450-28	Washer - Spring	
	263-4	Adaptor 1/2" BSP	
	451-19	Washer - Sealing 1/2" BSP	
T Inlet (Bottom)	247-2	Elbow 3/4" BSP	
	79-34	'O' Ring Seal	
	151-55	Cap Hd. Screw	
		5/16" UNC x 2 1/4"	
	450-28	Washer - Spring	
	263-6	Adaptor 3/4" BSP	
	451-21	Washer - Sealing 3/4" BSP	

BoM 950411

Gearbox (Item 1)

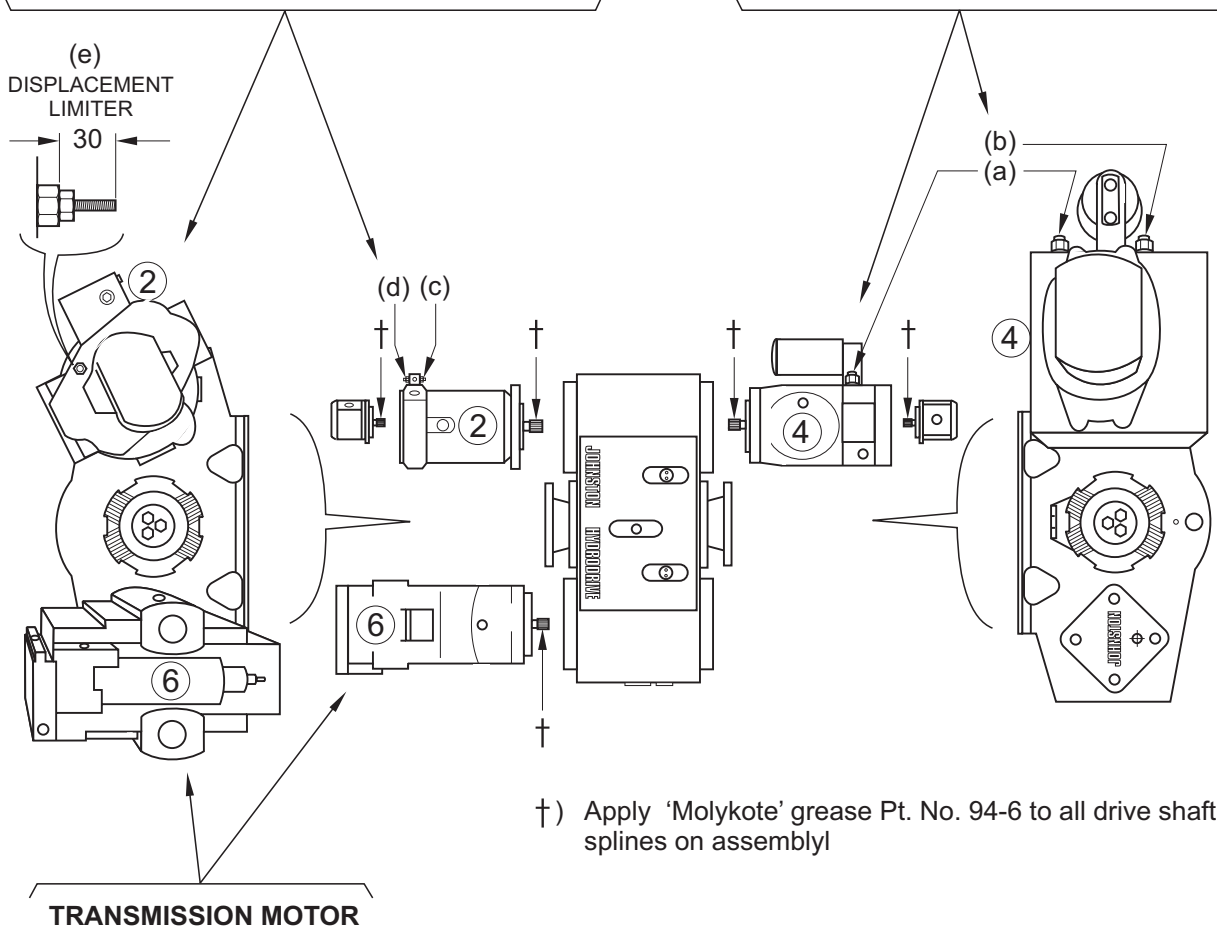
G1	13538	i) Breather	
	41963-1	ii) Adaptor	
	451-18	Washer - Sealing	
G2	7684	Collar Plug 1/2" BSP	
	451-19	Washer - Sealing 1/2" BSP	
G4	5259	Plug 1/8" BSPT - Socket Hd.	
G3, G5	54-50	Magnetic Plug 1/4" BSP	
	451-124	Washer - Copper	
G6	18892	Plug 3/8" BSPT - Socket Hd.	
G7	87-25	Oil Level Gauge	

Settings and Assembly Details
2. FANDRIVE PUMP:-

- c) "Standby" differential pressure setting
- d) Main relief valve maximum pressure setting
- e) Set displacement limiter dimension to 30mm

4. TRANSMISSION PUMP:-

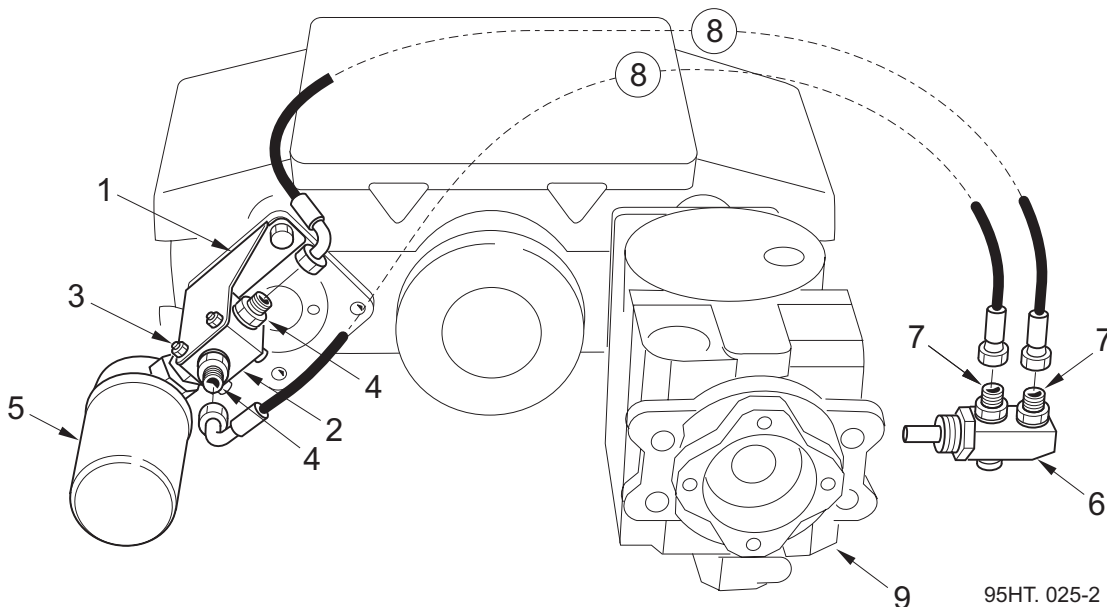
- Charge Pump pre-set to **24 Bar**
- a) Forward drive relief setting **420 Bar**
- b) Reverse drive relief setting **350 Bar**



- Test assembly for leaks
- Test 'free movement' of sliding gears at 1.0 bar maximum air pressure
- Test switches for on/off operation/engagement

95HC. 022

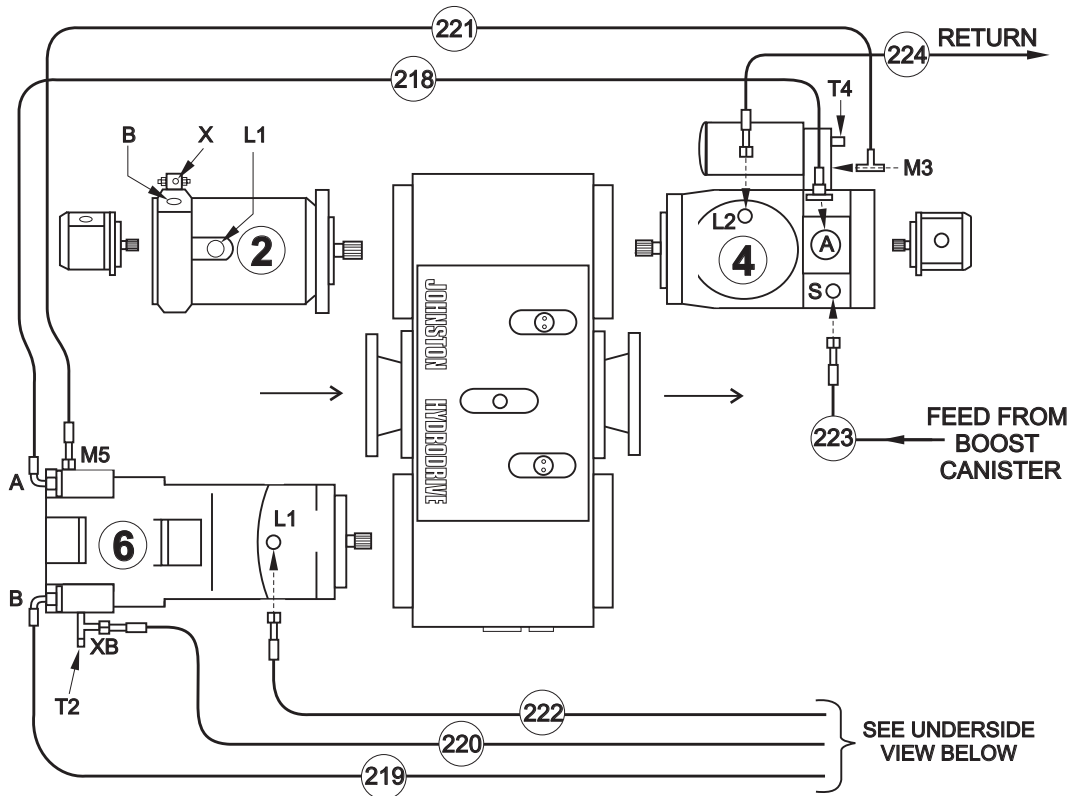
Remote Transmission Filter



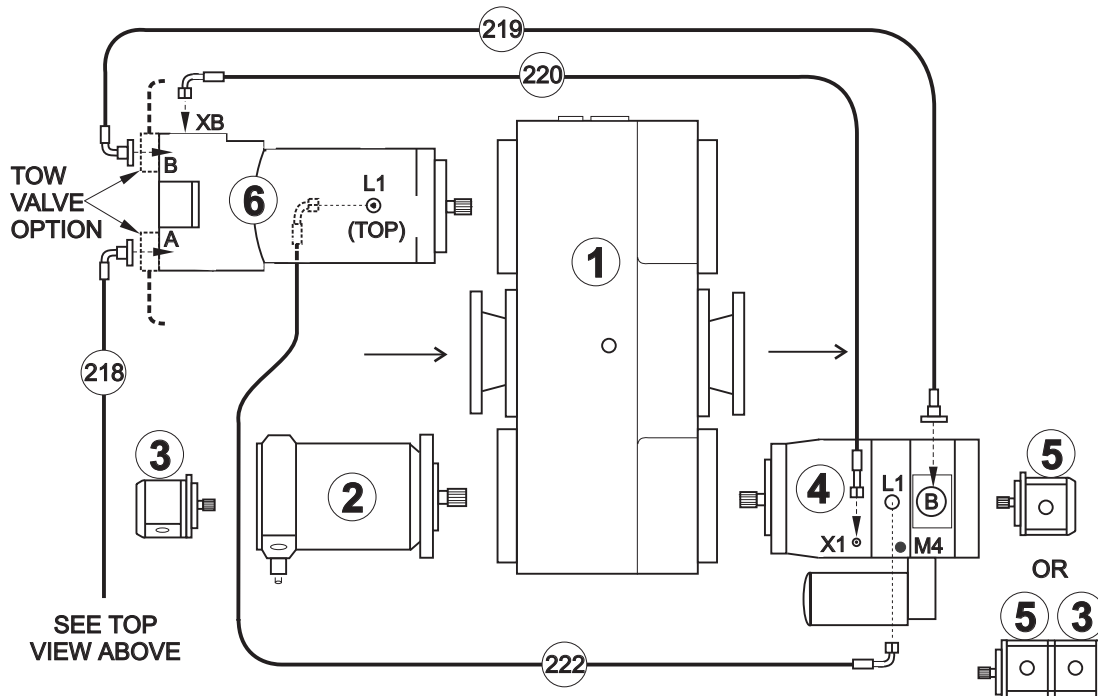
Item No.	Part No.	Description	Quantity
	810094-1	Remote Filter Installation comprising:	
1	800661-1	Filter Bracket	1
2	97840-1	Adaptor Block	1
3	123-90	Bolt M6 x 60	2
	455-8	Washer - Plain	4
	425-13	Nut - Nyloc M6	2
4	499-12	Adaptor	2
5	283926-1	Oil Filter Assembly	-
6	97841-1	Filter Remote Block (Replaces Filter on Pump)	1
7	499-12	Adaptor	2
8	HC08002-115	Hydraulic Hose	2
9	-	Transmission Pump	-

Notes

Hydrodrive Hydraulic Hoses



TOP VIEW



UNDERSIDE VIEW

95HT. 022

- | | | | |
|---|----------------|---|--------------------|
| 1 | Gearbox | 4 | Transmission Pump |
| 2 | Fan Drive Pump | 5 | Sweepgear Pump |
| 3 | Options Pump | 6 | Transmission Motor |

Hydrodrive Hydraulic Hoses

BoM 950414

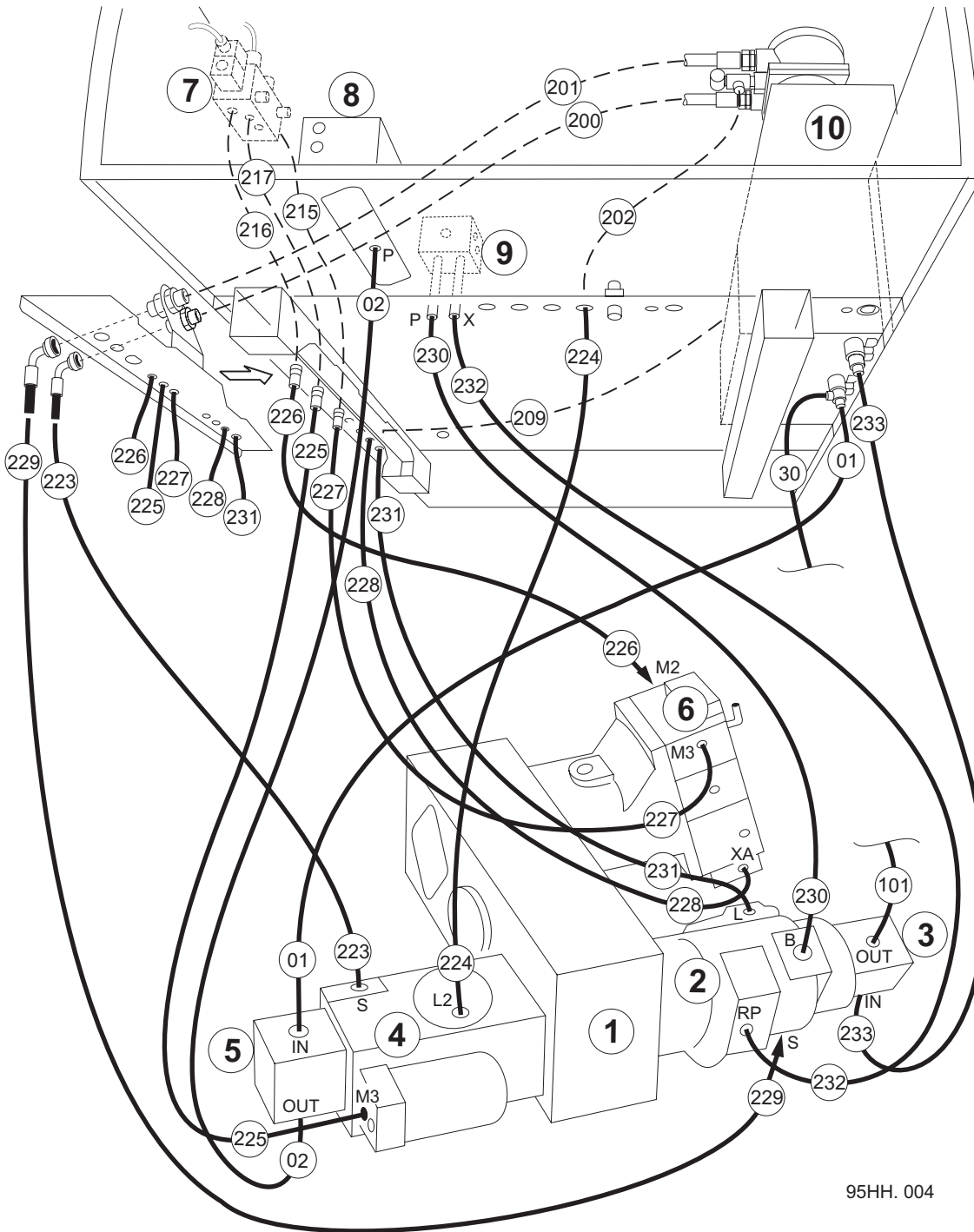
Item No.	Part No.	Description
2	-	Fan Drive Pump
3	-	Options Pump
4	-	Transmission Pump
5	-	Sweepgear Pump
6	-	Transmission Motor
218	HB16148-117-275	1" Hydraulic Hose
219	HB16148-200-275	1" Hydraulic Hose
220	HF04002-140	1/4" Hydraulic Hose
221	HF04002-150	1/4" Hydraulic Hose
222	HE12063-113-310	3/4" Hydraulic Hose
*223	HE16023-170-190	1/4" Hydraulic Hose
*224	HE12002-151	1/4" Hydraulic Hose

Notes

Hose item numbers correspond with those in diagram SH525z01 in Chapter 8 of the Maintenance Section.

*Hoses 223 and 224 see Hydrodrive Transmission Installation diagram over the page.

Hydrodrive Installation



95HH. 004

Key - Components with Circuit Diagram references - See Maintenance Section Chapter 8

- | | |
|---------------------------------|--|
| 1. Gear Box | 6. Transmission Motor - SH525z01 |
| 2. Fan Drive Pump - SH524z01 | 7. Antiskid Module - SH525z01 |
| 3. Options Pump - SH528a02 | 8. Sweepgear Valve Block - SH523z01 |
| 4. Transmission Pump - SH525z01 | 9. Fan Drive Valve Block - SH524z01 |
| 5. Sweepgear Pump - SH531b01 | 10. Hydraulic Oil Reservoir - SH521b01 |

Hydrodrive Installation - Hydraulic Hoses

BoM 950414

Item No.	Part No.	Description	Diagram
01	HE16003-300	1" Hydraulic Hose	Hose shown on SH531b01
02	-	See Emergency Discharge Pump - Chapter 28	

BoM 950714

30	-	See Emergency Discharge Pump - Chapter 28	
----	---	---	--

BoM 950514

101	-	See Options Pump Valve Block Chapter 28	
200	-		
201	-		
202	-	See Fan Tub Hydraulic Hoses Section 22.PG	
209	-		
215	-		
216	-		
217	-		

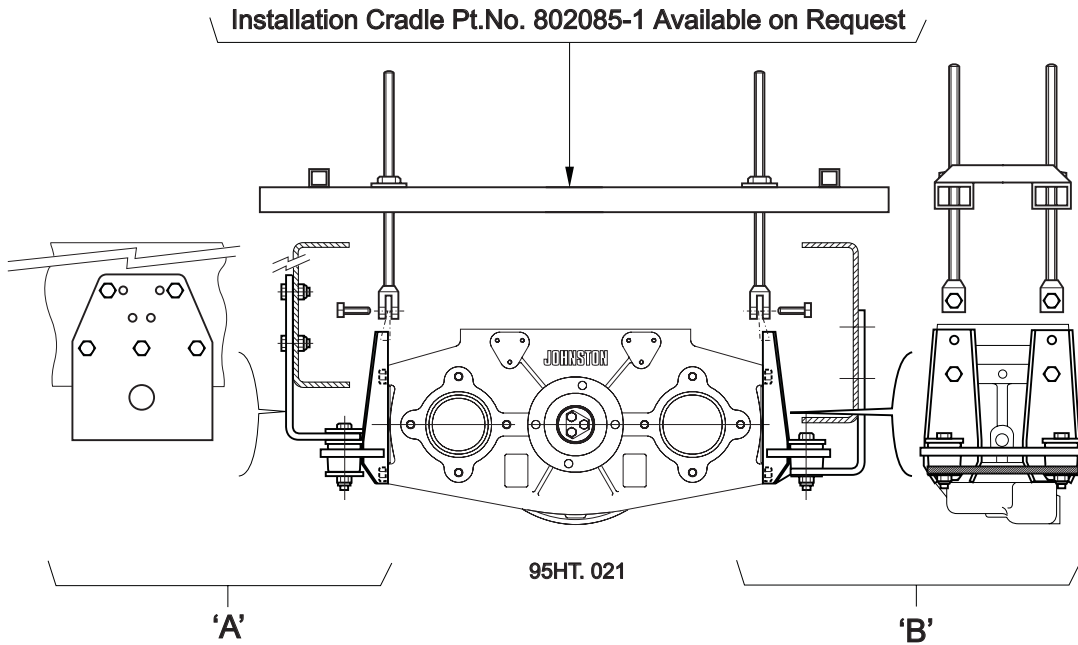
BoM 950414

223	HE16023-170-190	1" Hydraulic Hose	
224	HE12002-151	3/4" Hydraulic Hose	
225	HFO4003-104	1/4" Hydraulic Hose	These hoses are shown on SH525z01
226	HFO4003-114	1/4" Hydraulic Hose	
227	HFO4003-114	1/4" Hydraulic Hose	
228	HFO4003-114	1/4" Hydraulic Hose	
229	HE20001-214	1 1/4" Hydraulic Hose	
230	HF12307-100	3/4" Hydraulic Hose	These hoses are shown on SH525z01
231	HCO8002-118	1/2" Hydraulic Hose	
232	HFO4002-124	1/4" Hydraulic Hose	
233	HE16001-75	1" Hydraulic Hose	

Notes

See Maintenance Section Chapter 8 for Hydraulic Diagrams.

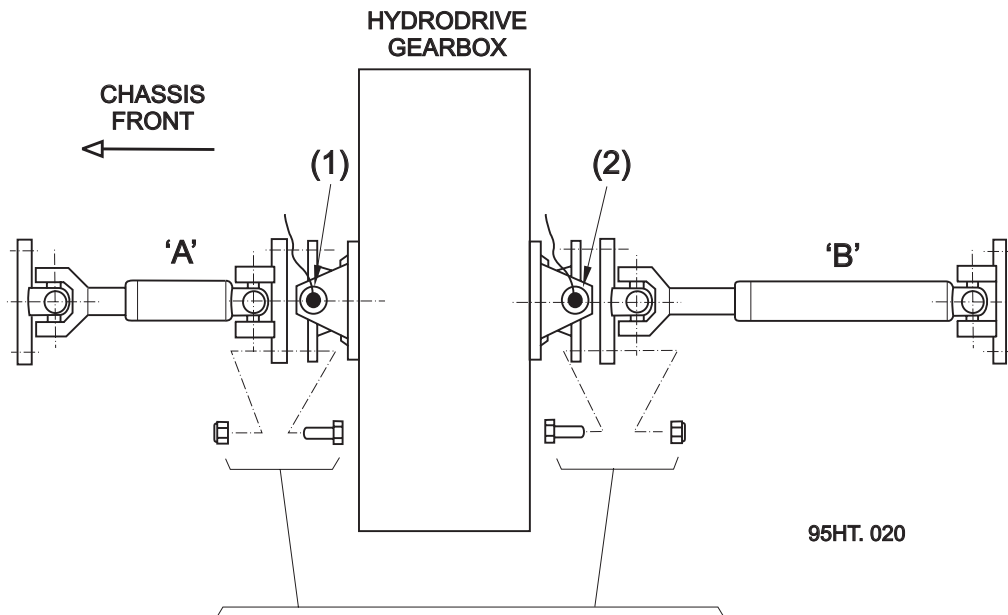
Gearbox installation



A - Some chassis have below bracket mounting
B - Some chassis have above bracket mounting

Chassis	Installation Drawing
Mercedes 13/5	807520
AF LF-55-220 & 180	806622
MAN 15	808226
Renault 12	807979

Prop Shafts & Sensors



95HT. 020

124-109 Setscrew M12 x 50 8 off
426-6 Nut M12 Philidas 8 off

Torque to 117 Nm (86 lbf)

Chassis

A & B Propshaft Drawing Ref.

Mercedes 13/5	807383
DAF LF-55-220 & 180	806884
MAN 15	808225
Renault 12	807907

Sensors

Item No	Part No.	Description
1	280856-1	Engine Speed Sensor Assembly
	282810-1	Mounting Bracket
2	280856-1	Road Speed Sensor Assembly
	282424-1	Mounting Bracket

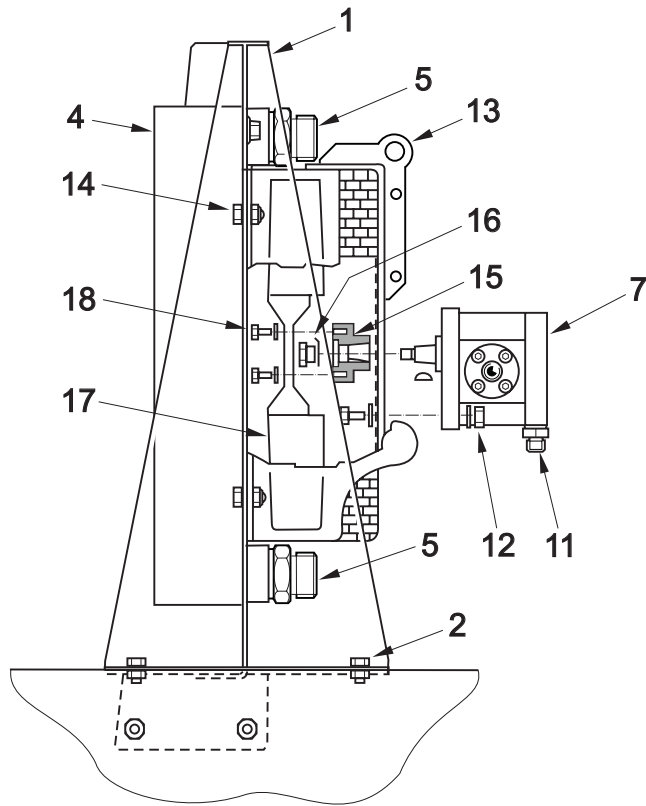
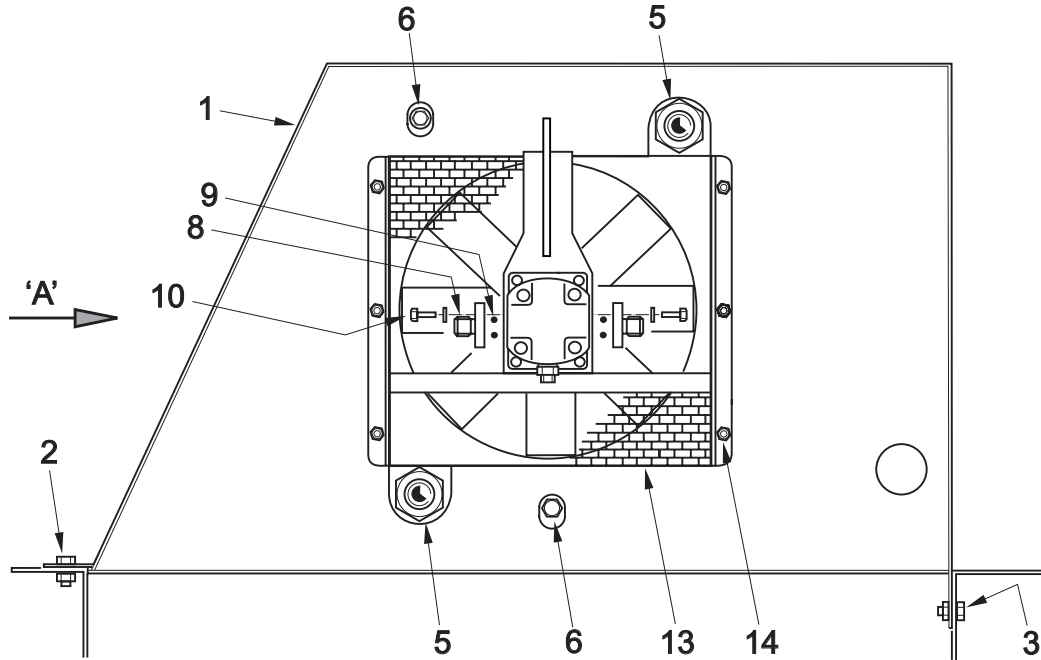
22.PG

VS Hydrostatic Components

Table of Contents

Section	Page
Oil Cooler Assembly	
Oil Cooler and Fan Installation	22.PG : 2
Suction System	
Fan Drive Mount Assembly	22.PG : 4
Fan Drive Motor Installation	22.PG: 6
Fan Drive Block	22.PG : 8
Hydraulic Hoses	
Fan Tub Hoses	22.PG : 10
Controls	
Antiskid Module	22.PG : 12
HydroDrive Selector Valve and HWE Switch	22.PG : 13
Management Box	22.PG : 14

Oil Cooler and Fan Installation



VIEW ON ARROW 'A'

95HC. 023

Oil Cooler and Fan Installation

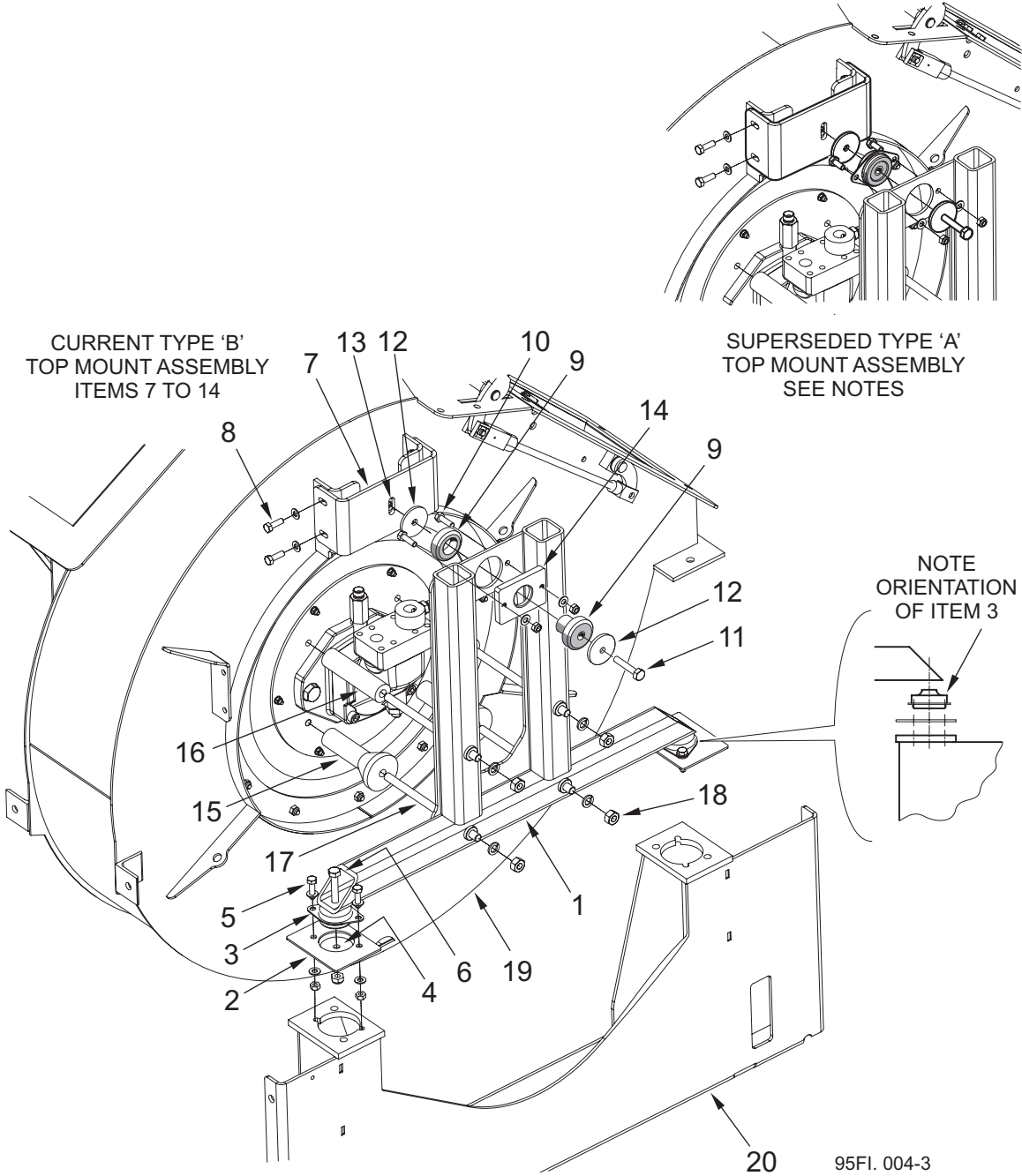
Bom 950511

Item No.	Part No.	Description	Quantity
1	66075-1	Oil Cooler Shroud	1
2	124-167	Screw M10 x 20	2
	460-11	Washer - Spring	2
3	124-167	Screw M10 x 20	2
	425-15	Nut - Nyloc M10	2
4	90536-1	Oil Cooler	1
5	265-11	Adaptor 1 1/4" BSP x 1" BSP	2
	451-111	Washer - Sealing 1 1/4" BSP	2
6	54-3	Plug - With Integral Seal	2
* 7	295046-1	Oil Cooler Motor	1
8	90549-1	Adaptor - Special	2
9	79-34	'O' Ring	2
10	151-50	Capscrew 5/16" UNC x 3/4"	8
	450-28	Washer - Spring 5/16"	8
11	263-2	Adaptor 1/4" BSP	1
	451-17	Washer - Sealing	1
12	124-141	Screw M8 x 35	4
	460-10	Washer - Spring	4
13	90532-1	Motor Mount and Shroud	1
14	124-137	Screw M8 X 25	6
	425-14	Nut - Nyloc M8	6
15	283925-1	Boss - Fan Drive	1
16	-	Nut) Supplied	1
	-	Tab Washer) with motor	1
17	90829-1	Cooling Fan	1
18	124-103	Screw M6 x 20	4
	460-8	Washer - Spring	4

Notes

* Previous Oil Cooler Motor 70540-1 no longer available

Fan Drive Mount Assembly



Fan Drive Mount Assembly

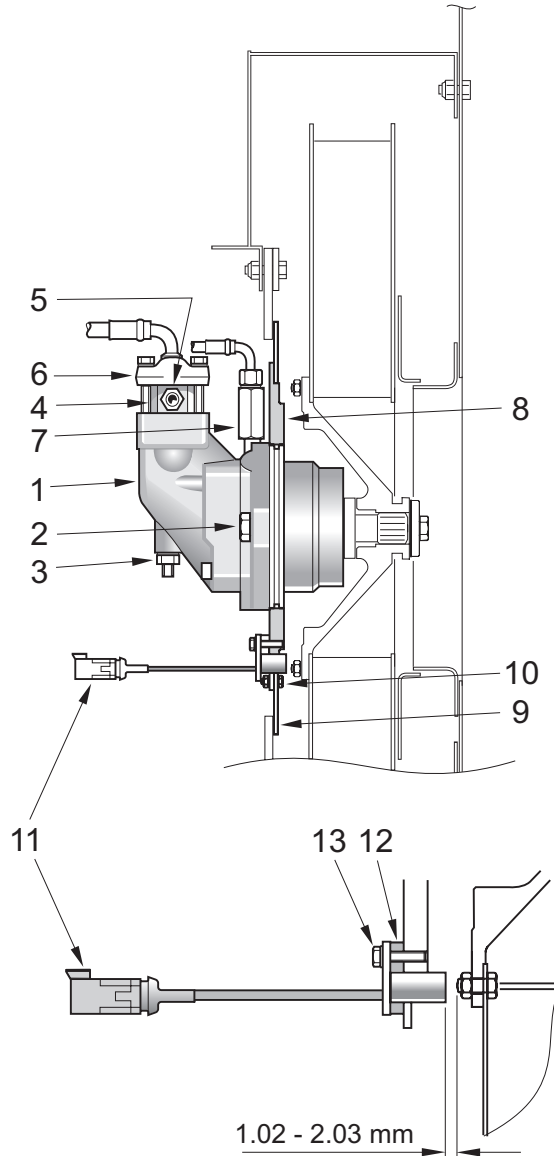
BoM 950513, Drg: 282415-1

Item No.	Part No.	Description	Quantity
1	282405-1	Fan Drive Frame	1
2	282407-1	Adaptor Plate	1
> 3	290-29	Anti-vibration Mount	2
4	282885-1	Rebound Washer	2
5	124-139	Screw M8 x 30	4
	460-10	Washer - Spring M8	4
	455-10	Washer - Plain M8	4
	420-14	Nut - M8	4
6	123-131	Bolt M10 x 55	2
	425-15	Nut - Nyloc M10	2
	457-5	Washer - Large M10	2
7	284018-1	Top Mount Plate	1
8	124-135	Screw M8 x 20	4
	455-10	Washer - Plain	4
9	290-45	Anti-vibration Mount	1
10	124-141	Screw M8 x 35	2
	455-10	Washer - Plain M8	2
	425-14	Nut - Nyloc M8	2
11	123-156	Bolt M12 x 90	1
12	284026-1	Rebound Washer	2
13	457-6	Washer - Large M12	1
	425-16	Nut - Nyloc - M12	1
14	284011-1	Mount Spacer	1
15	66049-1	Spacer - Tapered	2
16	66048-1	Spacer - Parellel	2
17	66071-1	Stud M12 x 215	4
18	420-16	Nut M12	4
	460-12	Washer - Spring M12	4
19	-	Fancase - See Section 22.PD	
20	-	Rear Cradle - See Section 22.PC	

Notes

When upgrading machines with the superseded type 'A' top mount to the current type 'B' arrangement see Technical Bulletin TB 1406.

Fan Drive Motor Installation



The gap between sensor, item 11 and the impeller bolt should be between 1.02 and 2.03 mm, as shown. A selection of shims, in addition to that shown in item 12, are available to achieve this setting. These are:-

- 282547-1 = 1.0mm thick
- 282547-2 = 2.0mm thick
- 282547-5 = 5.0mm thick

95FI. 005-3

Fan Drive Motor Installation

BoM 950513

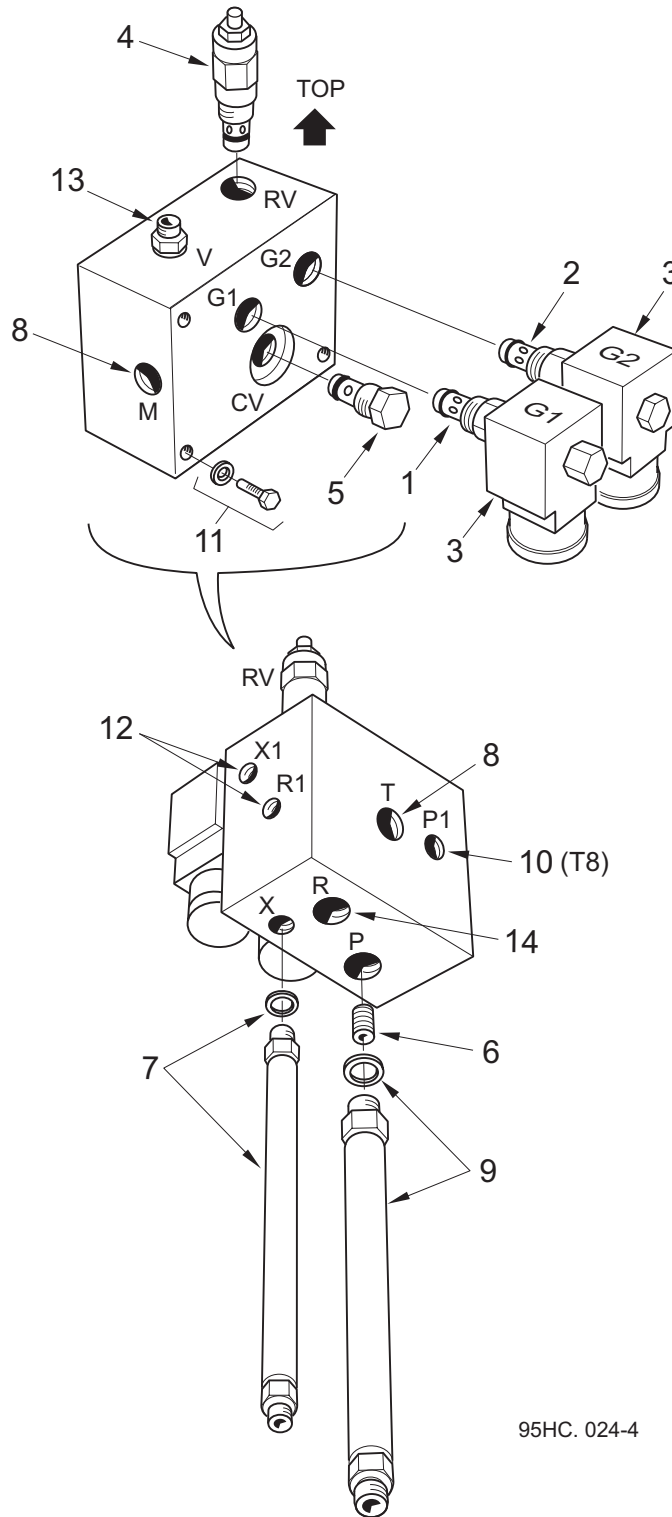
Item No.	Part No.	Description	Quantity
1	78184-1	Fan Motor	1
2	124-269	Screw M16 x 35	2
3	90949-1	Adaptor - Vent Line	1
	451-8	Washer - Sealing	1
4	29667-1	Adaptor	2
	79-32	'O' Ring	1
5	263-2	Adaptor 1/4" BSP	1
	451-17	Washer - Sealing	1
* 6	498-N08	Flange Kit - See notes below	2
7	66104-1	Adaptor 3/8" x M14	1
	451-112	Washer - Spring	1
8	66072-2	Motor Mount	1
9	66073-1	Mask	1
10	124-103	Screw M6 x 20	6
	460-8	Washer - Spring	6
	425-13	Nut - Nyloc M6	6
11	280856	Speed Sensor	1
12	282547-10	Shim x 10 Thick	1
13	124-109	Bolt M6 x 35	1
	460-8	Washer - Spring	1

Notes

* Bolts and washers supplied with Flange Kits item 6 must be replaced with the following:-

123-131	Bolt M10 x 55 - Port 'A' (with adaptor item 4)	4 off
123-128	Bolt M10 x 40 - Port 'B'	4 off
460-11	Washer - Spring	8 off

Fan Drive Block



95HC. 024-4

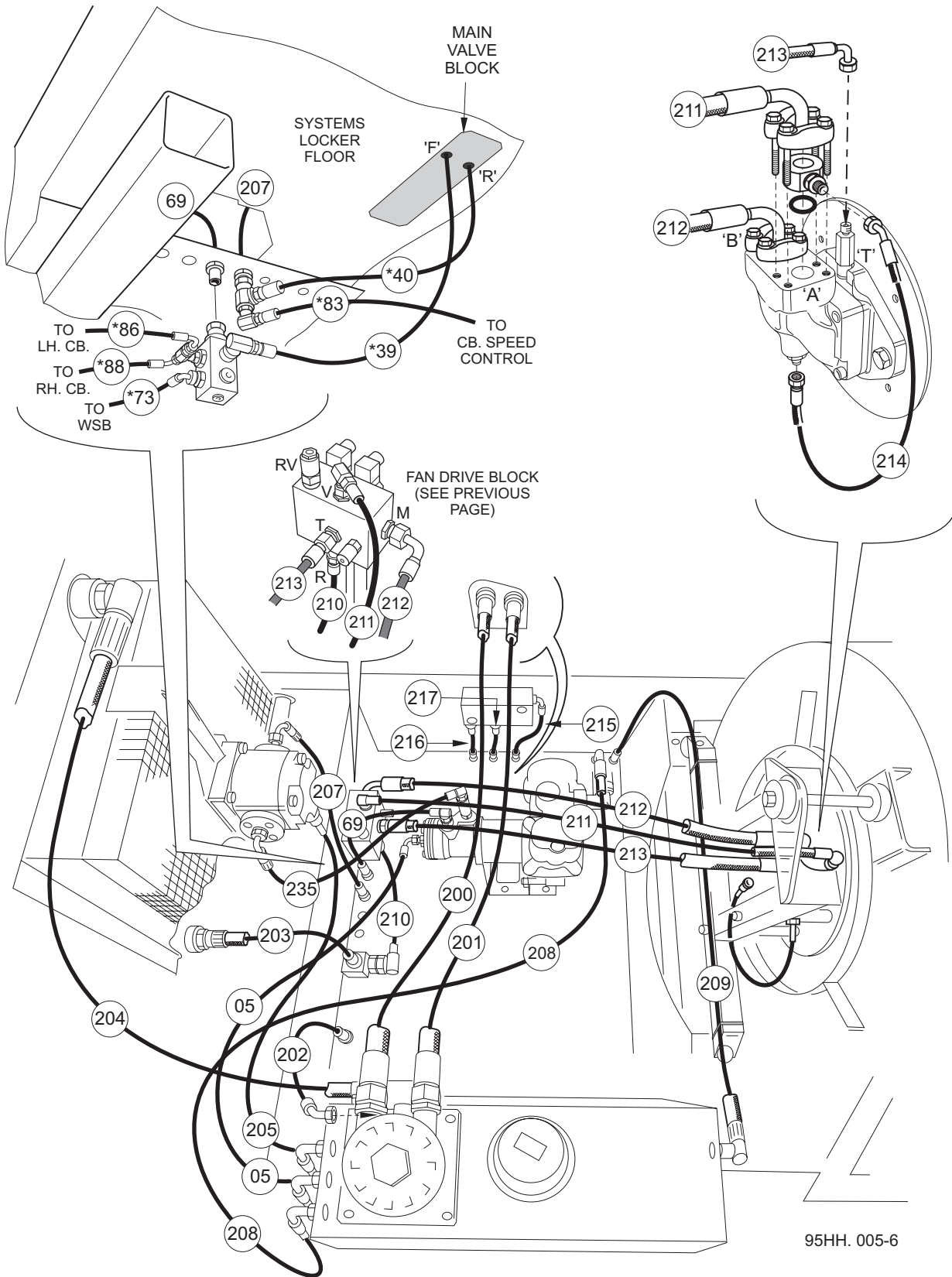
Fan Drive Block

BoM 950511

Item No.	Part No.	Description	Quantity	
	283647-12	Valve Block Assembly - 12v)	Comprising items 1 to 6	
	283647-24	Valve Block Assembly - 24v)		
1	847-65	Valve Cartridge NO	1	
2	847-45	Valve Cartridge NC	1	
3	847-3	Coil - 12v	2	
	847-68	Coil - 24v	2	
4	847-78	Relief Valve Cartridge	1	
5	847-11	Check Valve Cartridge	1	
6	847-67	Orifice	1	
}	7	281712-1	Extension Pipe 1/4" BSP	1
		451-17	Washer - Sealing 1/4" BSP	1
	8	263-6	Adaptor 3/4" BSP	2
		451-21	Washer - Sealing 3/4" BSP	2
9	281649-1	Extention Pipe 3/4" BSP	1	
	451-21	Washer - Sealing 3/4" BSP	1	
10	665-6	Test Point Valve	1	
11	124-132	Setscrew M8c x 12mm	3	
	460-10	Washer - Spring	3	
12	5104	Collar Plug 1/8" BSP	2	
	451-4	Washer - Sealing 1/8" BSP	2	
13	265-2	Adaptor 3/8" x 1/4" BSP	1	
	451-17	Washer - Sealing 1/4" BSP	1	
>	14	6587-1	Adaptor 3/4" BSP	1
>		451-21	Washer - Sealing 3/4" BSP	1
'O' Ring Seal Kit for items 2 - 5				

Notes

Fan Tub - Hydraulic Hoses



Fan Tub - Hydraulic Hoses

BoM 950514

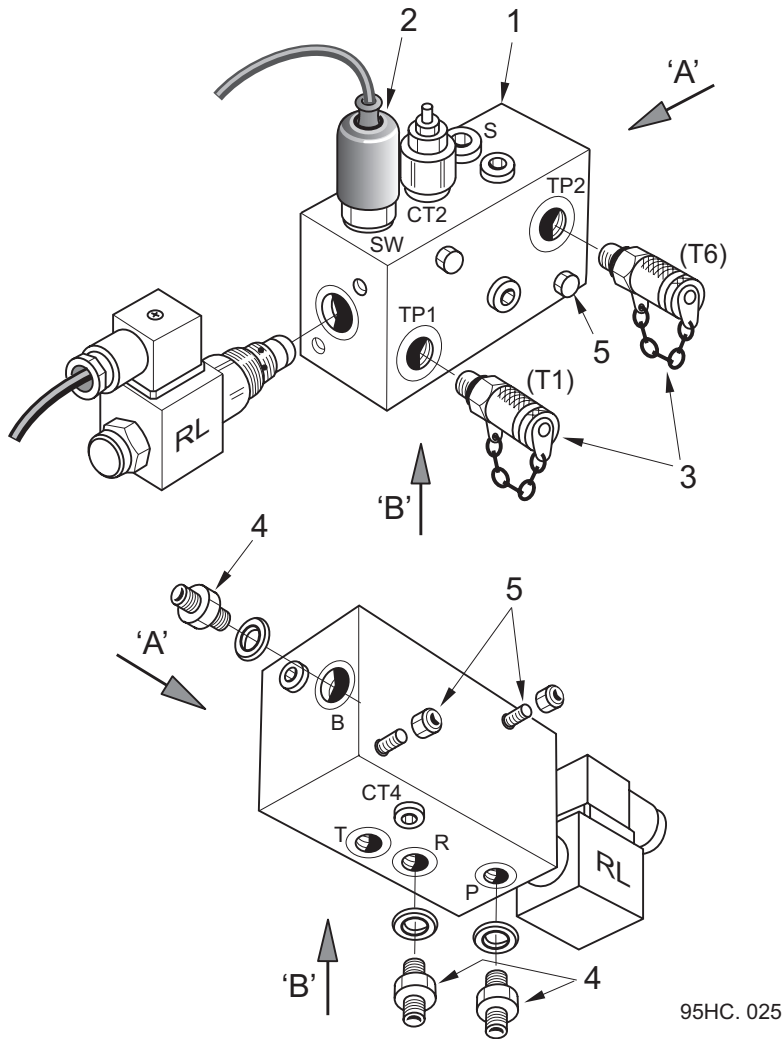
Item No.	Part No.	Description	Diagram
200	HE20000-108	1/4" Hydraulic Hose	These hoses are shown on SH521b01
201	HE16000-108	1" Hydraulic Hose	
202	HE12001-68	3/4" Hydraulic Hose	
203	HE16003-90	1" Hydraulic Hose	
204	HE16000-65	1" Hydraulic Hose	
208	HCO4002-180	1/4" Hydraulic Hose	
05	HCO4002-105	1/4" Hydraulic Hose	These hoses are shown on SH522/523z01
69	HCO8003-40	1/2" Hydraulic Hose	
205	HCO4003-85	1/4" Hydraulic Hose	
207	HCO8002-75	1/2" Hydraulic Hose	
235	HCO8002-91	1/2" Hydraulic Hose	
209	HCO8003-135	1/2" Hydraulic Hose	These hoses are shown on SH524z01
210	HE12003-42	3/4" Hydraulic Hose	
211	HF12011-101	3/4" Hydraulic Hose	
212	HF12052-102-270	3/4" Hydraulic Hose	
213	HCO6002-113	3/8" Hydraulic Hose	
214	HCO4001-45	1/4" Hydraulic Hose	
215	HFO4002-41	1/4" Hydraulic Hose	These hoses are shown on SH525z01
216	HFO4000-34	1/4" Hydraulic Hose	
217	HFO4000-34	1/4" Hydraulic Hose	

Notes

See Maintenance Section Chapter 8 for Hydraulic Diagrams.

*For hoses 39 and 73 see Chapter 26, WSB Installation - Hydraulic Hoses.

*For hoses 40, 83, 86 and 88 see Chapter 24, CB Installation - Hydraulic Hoses.

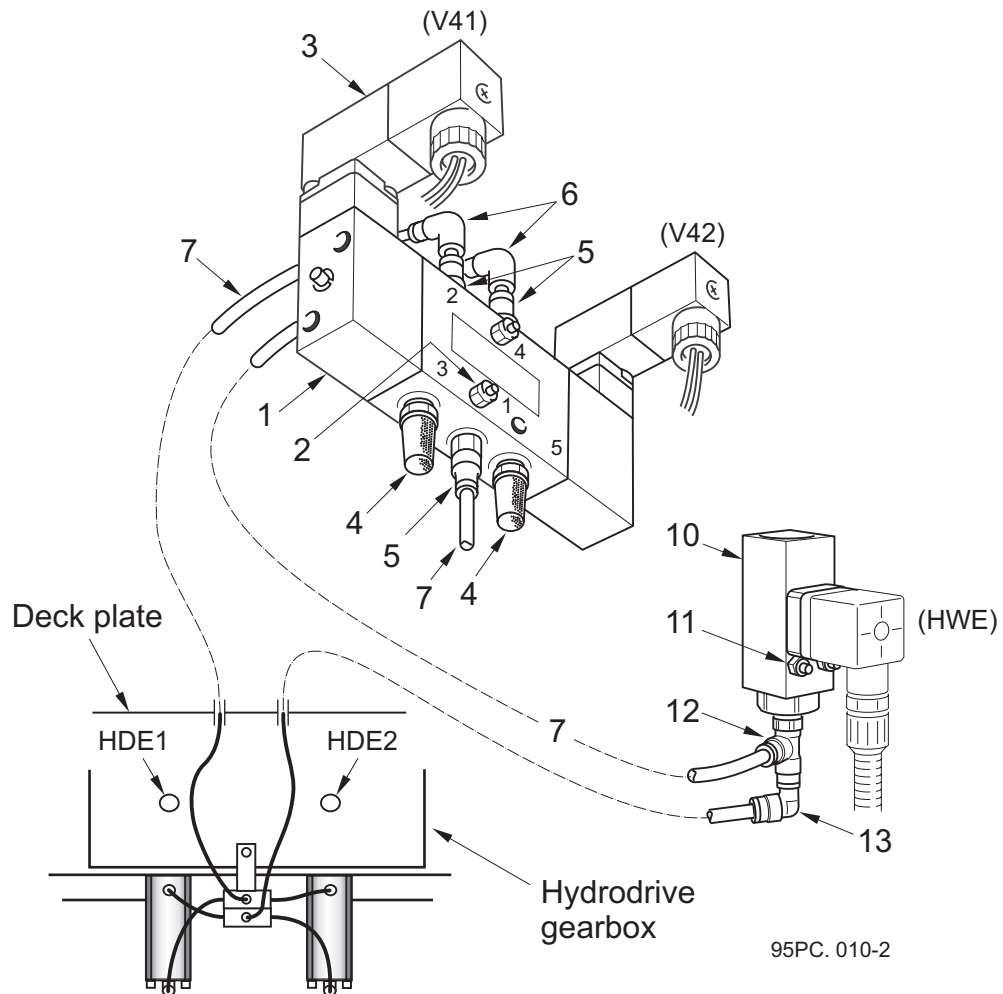
Antiskid Module


95HC. 025

BoM 950511

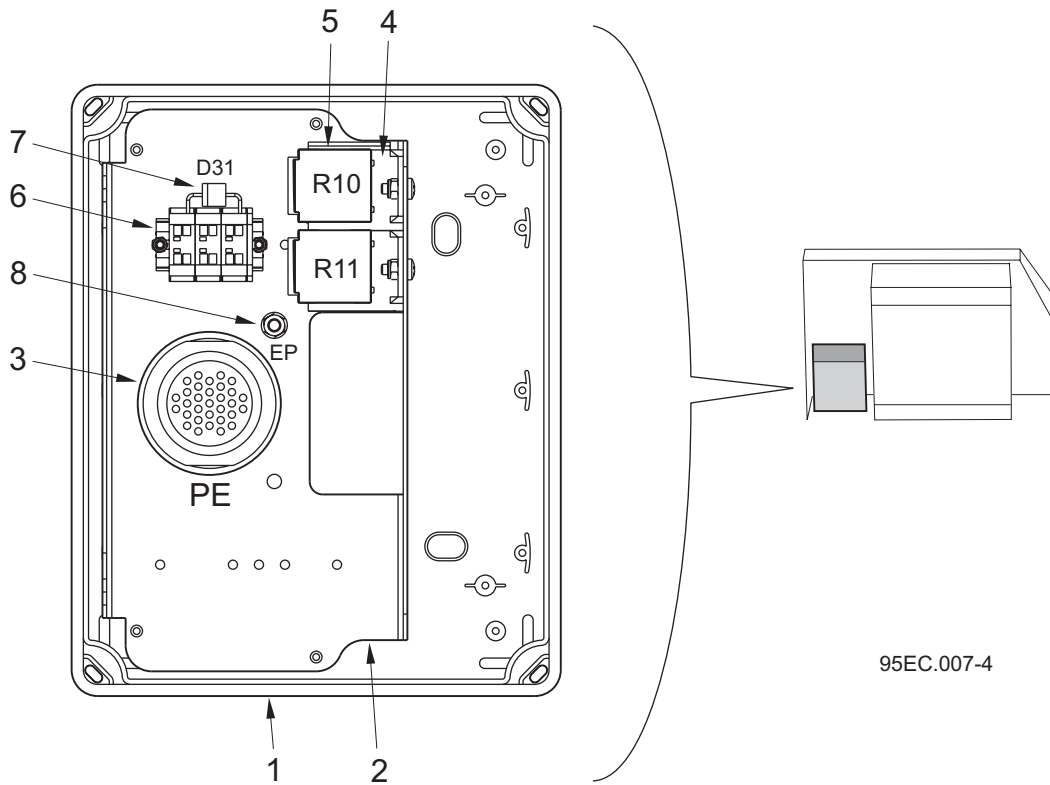
Item No.	Part No.	Description	Quantity
1	66110-1	Antiskid Manifold Assembly 24v	1
	66110-2	Antiskid Manifold Assembly 12v	1
2	70849-1	Brake Light Switch	1
	451-17	Washer - Sealing	1
3	665-17	Test Point Valve 9/19" UNF	2
4	263-2	Adaptor 1/4" BSP	3
	451-17	Washer - Sealing	3
5	124-148	Screw M8 x 65	2
	425-14	Nut - Nyloc M8	2

Hydrodrive Selector Valve & HWE Switch



BoM 950511

Item No.	Part No.	Description	Quantity
1	72-21	Hydrodrive Selector Valve	1
2	124-75	Screw M5 x 30	2
	425-12	Nut - Nyloc M5	2
3	72-22	Coil - 24v	
4	72-17	Silencer	2
5	537-3	Adaptor 1/8" BSP x 06	3
6	551-1	Stem Elbow Ø6	2
7	273-20	Tube Ø6 - Blue	As required
8, 9	-		
10	72-52	HWE Air Switch	1
11	129-74	Screw - Cap Head M5 x 45	2
	425-12	Nut - Nyloc M5	2
12	540-3	Tee x Ø6	1
13	551-1	Stem Elbow x Ø6	1

Management Box

BoM 950511

Item No.	Part No.	Description	Quantity
	282135-1	Hydro Management Box 12v	
	282135-2	Hydro Management Box 24v	
> 1	283848-1	Box and Lid	1
	134-44	Screw Pan Head M4 x 20	4
	425-11	Nut - Nyloc M4	4
2	282125-1	Mounting Plate	1
> 3	283847-1	Management Box Loom includes:-	1
	710-67	HDP 31 Way Socket Housing	1
	710-70	Jam Nut	1
	281545-2	Sealing Washer	1
4	48-89	Relay Base	2
5	13193	Relay 12v Type 6RA	2
	13194	Relay 24v Type 6RA	2
6	30-256	Terminal Block - 4 Way	3
	30-254	Terminal Block - End Plate	1
7	13984	Diode 6 Amp	1
> 8	134-60	Screw - Pan Head M5 x 25	1
	455-7	Washer Plain	1
	420-12	Nut M5	1

CHAPTER

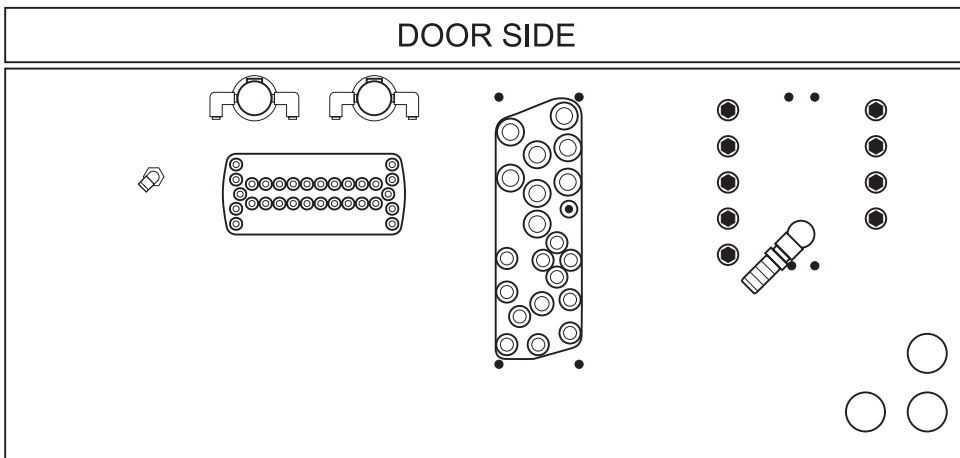
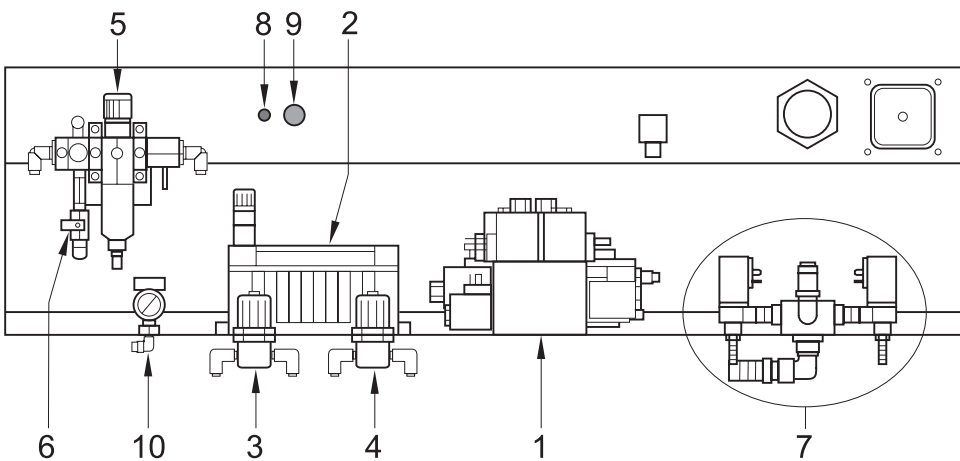
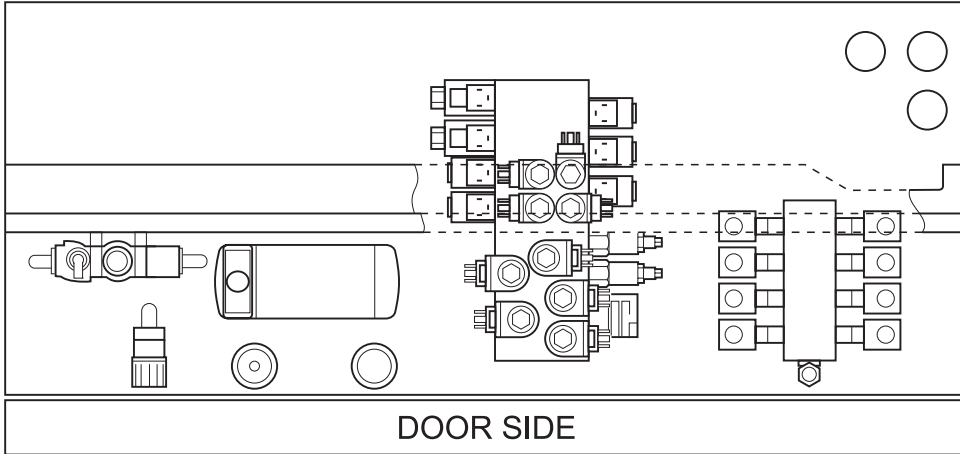
23

Systems Locker

Table of Contents

Section	Page
Systems Locker	
Systems Wafer Assembly	23 : 2
Systems Locker Enclosure	23 : 4

Systems Wafer Assembly



95SL. 003-3

Systems Wafer Assembly

Base Assemblies

Part No.	Description
950912-021	Wafer Assembly - 12v Single
950912-022	Wafer Assembly - 12v Dual
950912-023	Wafer Assembly - 24v Single
950912-024	Wafer Assembly - 24v Dual

Options Assemblies for:

Recirculating Water and Autoloc Cylinders

950912-029	Wafer Assembly - 12v Single
950912-030	Wafer Assembly - 12v Dual
950912-031	Wafer Assembly - 24v Single
950912-032	Wafer Assembly - 24v Dual

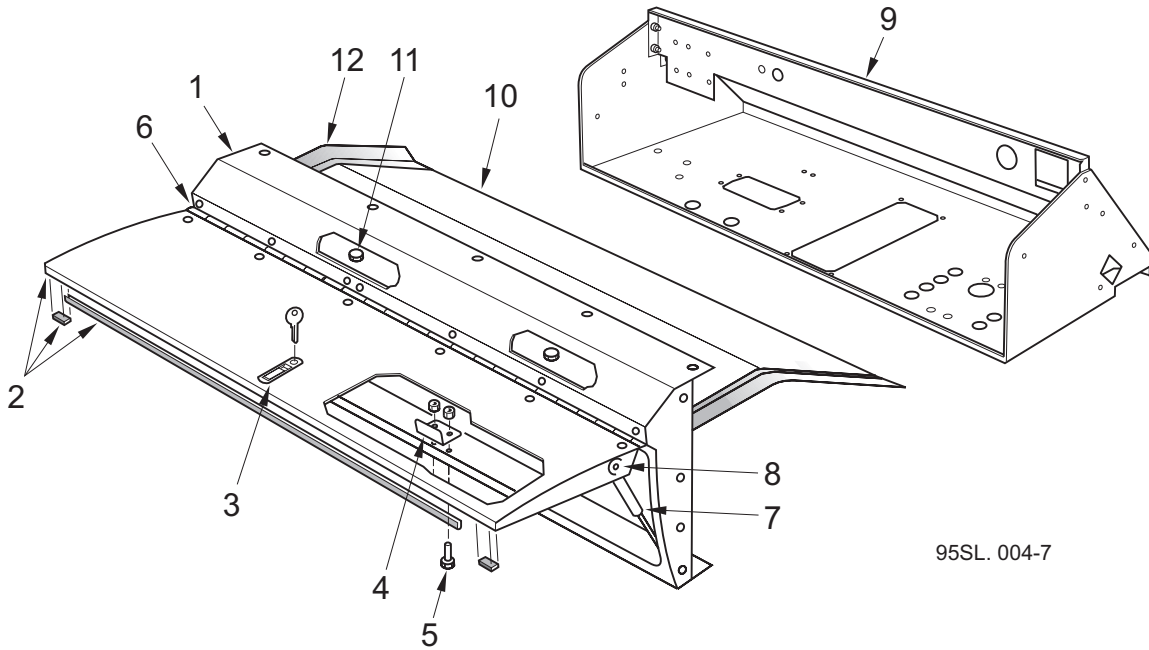
Components

Item No.	Part No.	Description	See Chapter
1	-	Main Hydraulic Valve Block	28
2	-	Pneumatic Valve Assemblies	29
3	-	Powascrub Regulator (R2)	29
4	-	Powathrust Regulator (R3)	29
5	-	FRL Unit	29
6	-	Pressadrain Purge Block (WDT)	29
7	-	Water Manifold Assembly	30
8		Thermal Trip:-	
	719-2	MCB Cutout - 12v = 50Amp	-
	719-1	MCB Cutout - 24v = 30Amp	-
9		Emergency Discharge Pump Switch comprising:-	
	99-67	Button	1
	99-2	Body	1
	99-4	Contact	1
10	-	System Protection Valve	29

Notes

Wiring Looms - Spares Items

Looms for the Wafer pneumatic, hydraulic and water control systems are shown in Chapter 31.

Systems Locker Enclosure


95SL. 004-7

BoM 950512

Item No.	Part No.	Description	Quantity
	282868-1	Frame and Door Assembly, comprising items 1 to 8	1
1	281660-1	Locker Frame	1
2	282869-1	Locker Door	1
	211-33	Edge Trim x 1m	1
	217-58	Rubber Strip x 25 Long	2
3	211-34	Latch	1
	211-35	Latch Key	2
4	282870-1	Latch Plate	1
5	135-91	Button Head Screw M6c x 20	2
	425-13	Nut - Nyloc M6	2
6	42597-5	Hinge	1
	134-41	Screw Pozidrive M4 x 10	12
	425-11	Nut - Nyloc M4	12
7	39435	Gas Spring	2
8	420-12	Nut M5	2
9	283826-1	Wafer Base Assembly	1

BoM 950511

10	281563-1	Cover Plate	1
11	124-134	Screw M8 x 16	4
12	217-2	Rubber Seal	2

CHAPTER

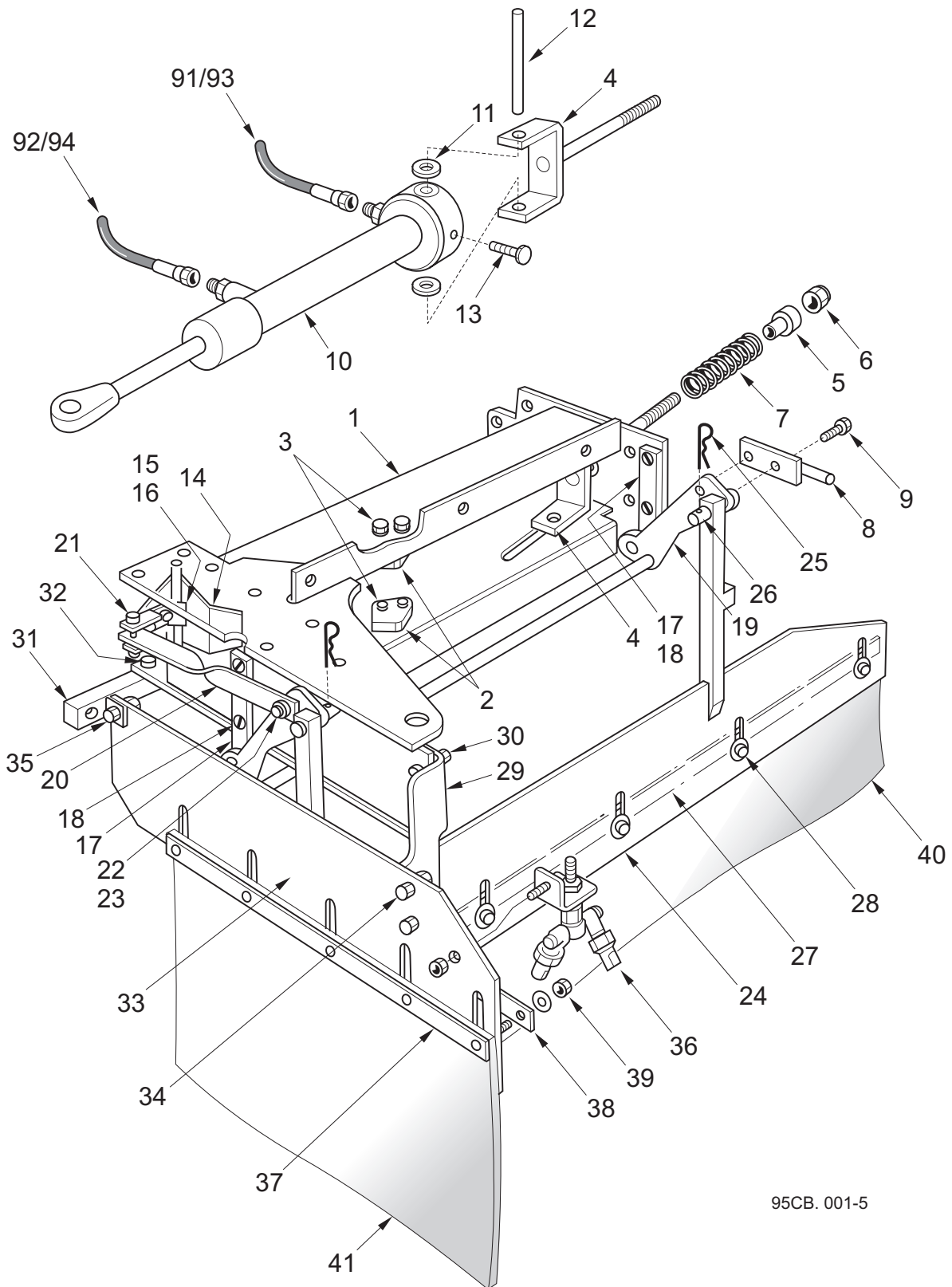
24

Channel Brush

Table of Contents

Section	Page
Channel Brush	
Pivot Frame Assembly	24 : 2
Water Jet Assembly	24 : 5
Arm Assembly	24 : 6
Head Assembly	24 : 10
Channel Brush Installations	
Pivot Frame to Subframe	24 : 12
Hydraulic Hoses	24 : 14
Pneumatic Tubing	24 : 16
Water Sprays	24 : 17
Rotatilt Option	24 : 18

Channel Brush - Pivot Frame Assembly



95CB. 001-5

Channel Brush - Pivot Frame Assembly

BoM 951211

Item No.	Part No.	Description	Quantity	
			Single	Dual
1	200075-1	Pivot Frame	1	2
2	281587-1	Stop	2	4
3	124-169	Screw M10 x 25	4	8
	460-11	Washer - Spring M10	4	8
4	67348-1	Fork	1	2
5	41911-1	Washer - Kick Back Spring	1	2
6	425-18	Nut - Nyloc M16	1	2
7	41895-2	Compression Spring	1	2
8	40295-1	Nozzle Tow Pin	1	2
9	123-146	Screw M12 x 40	2	4
	425-16	Nut - Nyloc M12	2	4
10	281601-1	Cylinder	1	2
11	40421-1	Spacer	2	4
12	40420-1	Pin	1	2
13	123-109	Bolt M8 x 45	1	2
14	800678-1	Lever - Brush Curtain	1	2
15	40384-1	Catch	1	2
16	124-103	Screw M6 x 20	1	2
	460-8	Washer - Spring M6	1	2
	420-13	Nut M6	1	2
17	200051-1	Davit Hinge	2	4
18	127-139	Screw - Csk M8 x 30	4	8
	460-10	Washer - Spring M8	4	8
	420-14	Nut M8	4	8
19	200046-1	Davit	1	2
20	40382-1	Link	1	2
21	40383-1	Bush - Curtain	1	2
	124-143	Screw M8 x 40	1	2
22	40385-1	Link Retaining Pin	1	2
23	124-141	Screw M8 x 35	1	2
	460-10	Washer - Spring M8	1	2
	420-14	Nut M8	1	2
24	200050-1	Curtain	1	2
25	289-27	Spring Clip	2	4
26	63582-1	Curtain Quick Release Pin	2	4
27	62454-1	Clamp Strip	1	2
28	124-169	Screw M10 x 25	5	10
	457-5	Washer - Plain M10	5	10

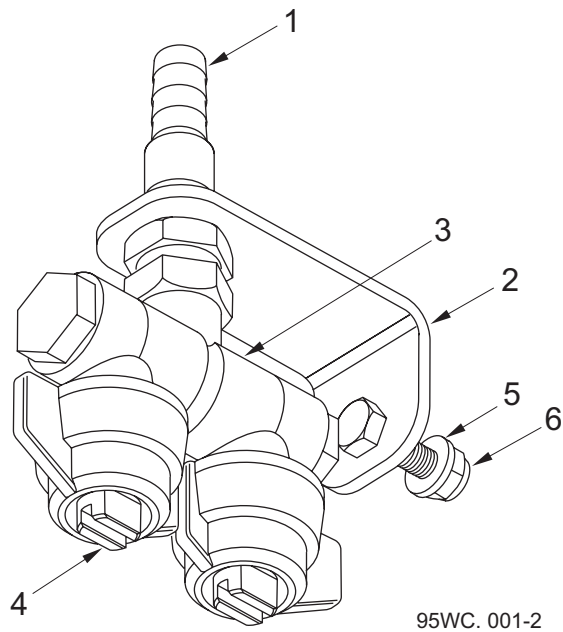
Channel Brush - Pivot Frame Assembly

Item No.	Part No.	Description	Quantity	
			Single	Dual
29	62822-1	Bracket - Mudflap Mounting	1	2
30	124-169	Screw M10 x 25	2	4
	460-11	Washer - Spring M10	2	4
	420-15	Nut M10	2	4
31	62819-1	Tow Point	1	2
32	123-151	Bolt M12 x 65	2	4
	460-12	Washer - Spring M12	2	4
	420-16	Nut M12	2	4
33	67375-1	Plate - Mud Flap	1	2
34	124-167	Screw M10 x 20	2	4
	460-11	Washer - Spring M10	2	4
	420-15	Nut M10	2	4
35	124-201	Screw M12 x 25	1	2
	460-12	Washer - Spring M12	1	2
	420-16	Nut M12	1	2
36	282207-1	Water Jet Assembly - See next page	1	2
37	67372-1	Clamp Strip	1	2
38	67378-1	Clamp Bar	1	2
39	457-4	Washer - Plain M8	5	10
	425-14	Nut - Nyloc M8	5	10
Curtains				
>	40	63334-1	Rubber Curtain	1 2
>	41	67368-1	Rubber Mudflap	1 2
Hydraulic Hoses				
	*91/93	-	See 'Hydraulic Hoses'	- -
	*92/94	-	elsewhere in this chapter	- -

Notes

* Hose item numbers correspond with those on diagrams SH522 and SH523 in Maintenance Section, Chapter 8.

Water Jet Assembly

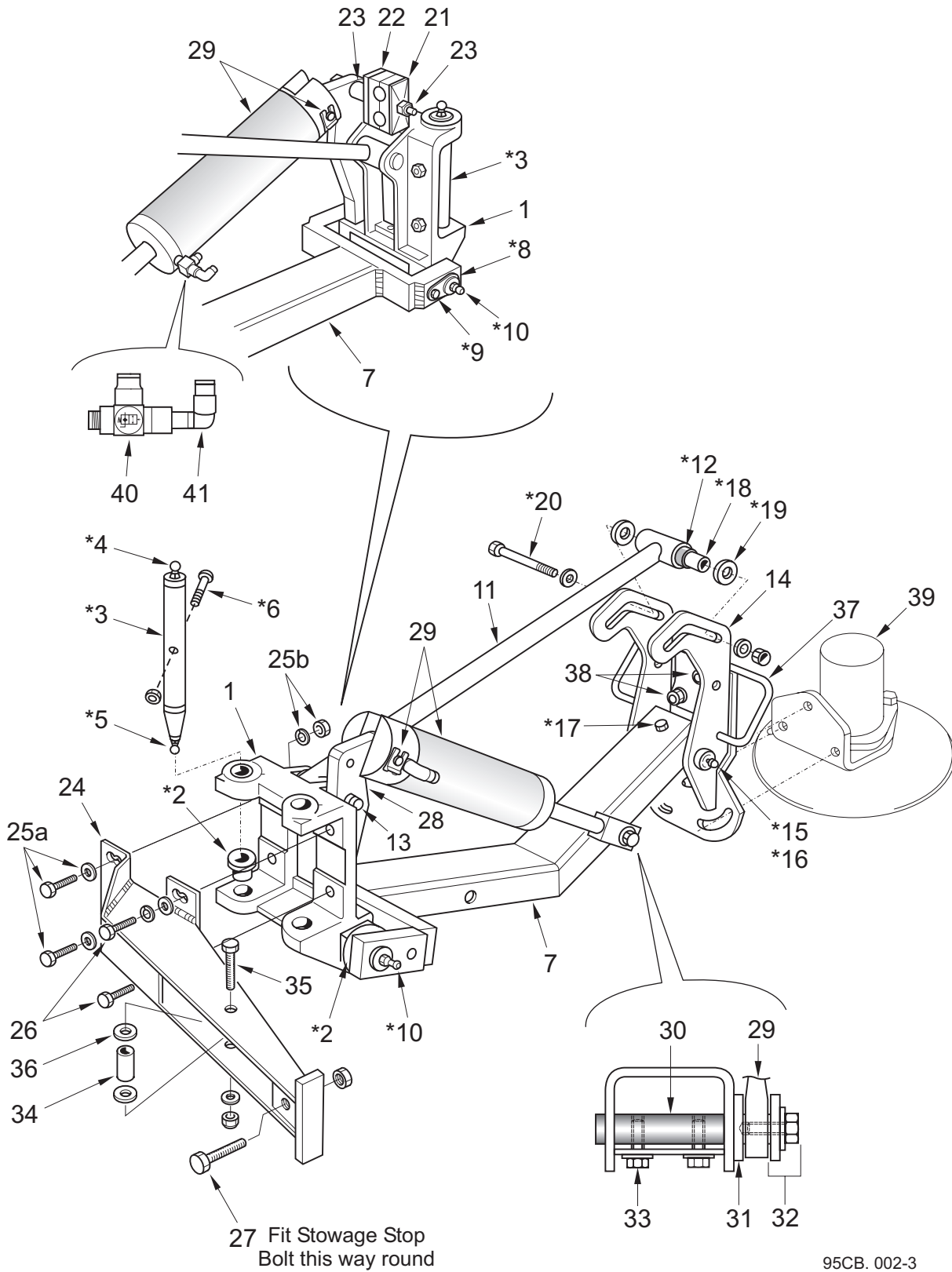


BoM 951211

Item No.	Part No.	Description	Quantity
	282207-1	Jet Assembly comprising:	
1	282214-1	Pipe - Hose Adaptor	1
2	282206-1	Angle Bracket	1
3	21-67	Double Swivel Nozzle Holder	1
4	21-66	Fan Tip Jet - Red	2
5	455-8	Washer - Plain M6	1
6	425-13	Nut - Nyloc M6	1

Notes

Channel Brush - Arm Assembly

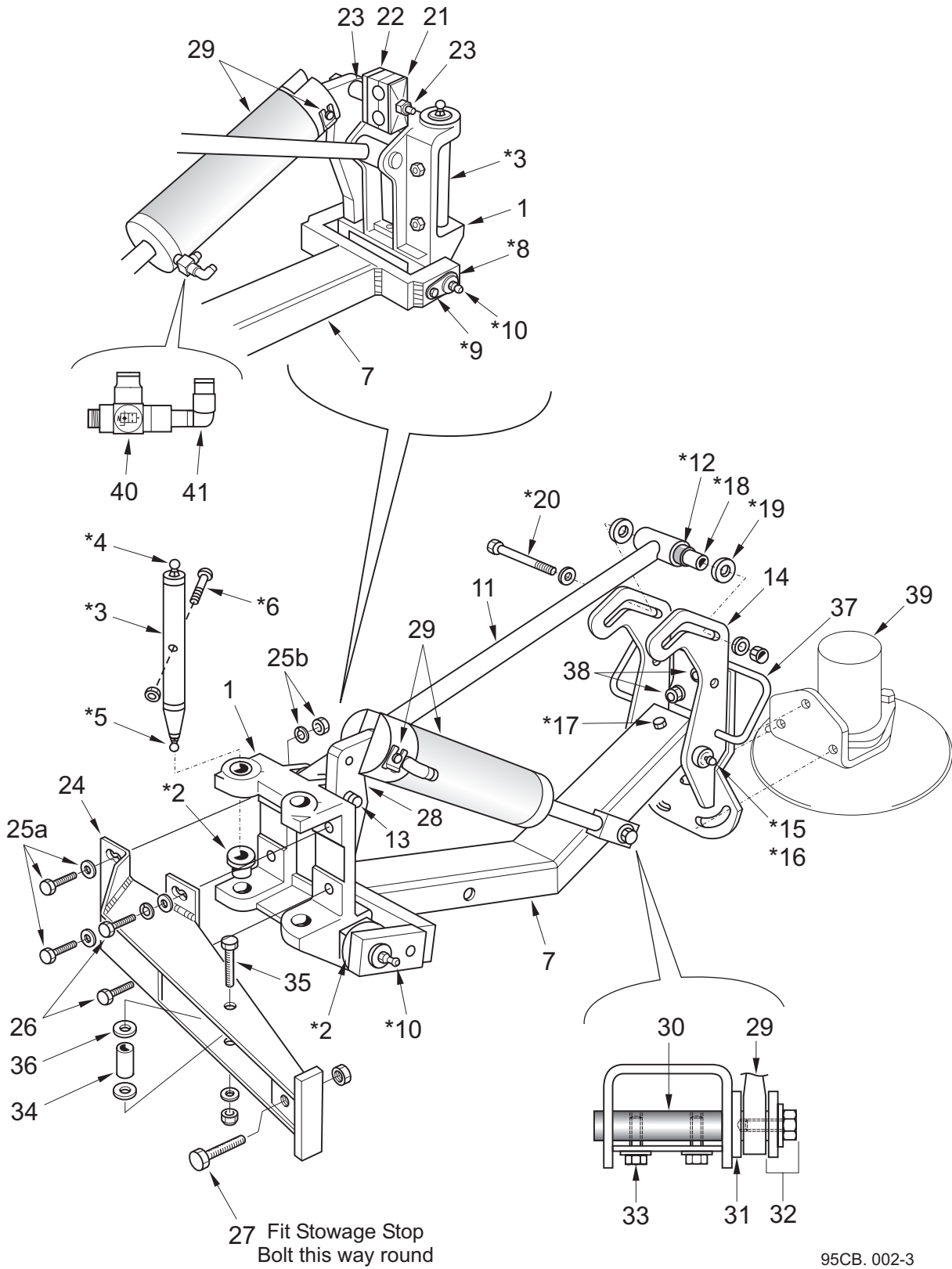


Channel Brush - Arm Assembly

BoM 951212

Item No.	Part No.	Description	Quantity
1	40272-2	Pivot Head	1
* 2	40292-1	Bush	4
* 3	40360-1	Pivot Pin - Channel Brush Head	1
* 4	38-1	Grease Nipple Straight G1/8"	1
* 5	38-1	Grease Nipple Straight G1/8"	1
* 6	124-178	Screw M10 x 55	1
	420-15	Nut M10	1
7	200025-1	Lower Arm	1
* 8	282028-1	Pivot Pin	1
* 9	124-135	Screw M8 x 20	1
	460-10	Washer - Spring	1
* 10	38-1	Grease Nipple Straight G1/8"	2
11	200026-1	Upper Arm Assembly	1
* 12	29128-4	Bush - Non Lube, Part of Item 11	4
13	40361-1	Pivot Pin - Upper Arm	1
	460-12	Washer - Spring M12	1
	420-16	Nut M12	1
14	282505-1	Motor Mount	1
* 15	40389-1	Pivot Pin	1
* 16	38-1	Grease Nipple Straight G1/8"	2
* 17	124-146	Screw M8 x 55	1
	460-10	Washer - Spring M8	1
	420-14	Nut M8	1
* 18	40362-1	Bush - Upper Arm	1
* 19	40363-1	Spacer M12	2
* 20	123-159	Bolt M12 x 110	1
	9331-1	Washer - Packing	2
	425-16	Nut - Nyloc M12	1
21	51-43	Plate - Top Clamp	1
	51-44	Clamp	1
22	200082-1	Plate - Clamp Spacer	1
23	123-120	Bolt M8 x 100	1
	56569-8	Spacer	1
	425-14	Nut - Nyloc M8	1
24	800677-1	Lever - Pivot Head	1
25a	124-173	Screw M10 x 35	2
	455-11	Washer - Plain M10	2
25b	460-11	Washer - Spring M10	2
	420-15	Nut M10	2
26	124-173	Screw M10 x 35	2
	455-11	Washer - Plain M10	2
	460-11	Washer - Spring M10	2

Channel Brush - Arm Assembly



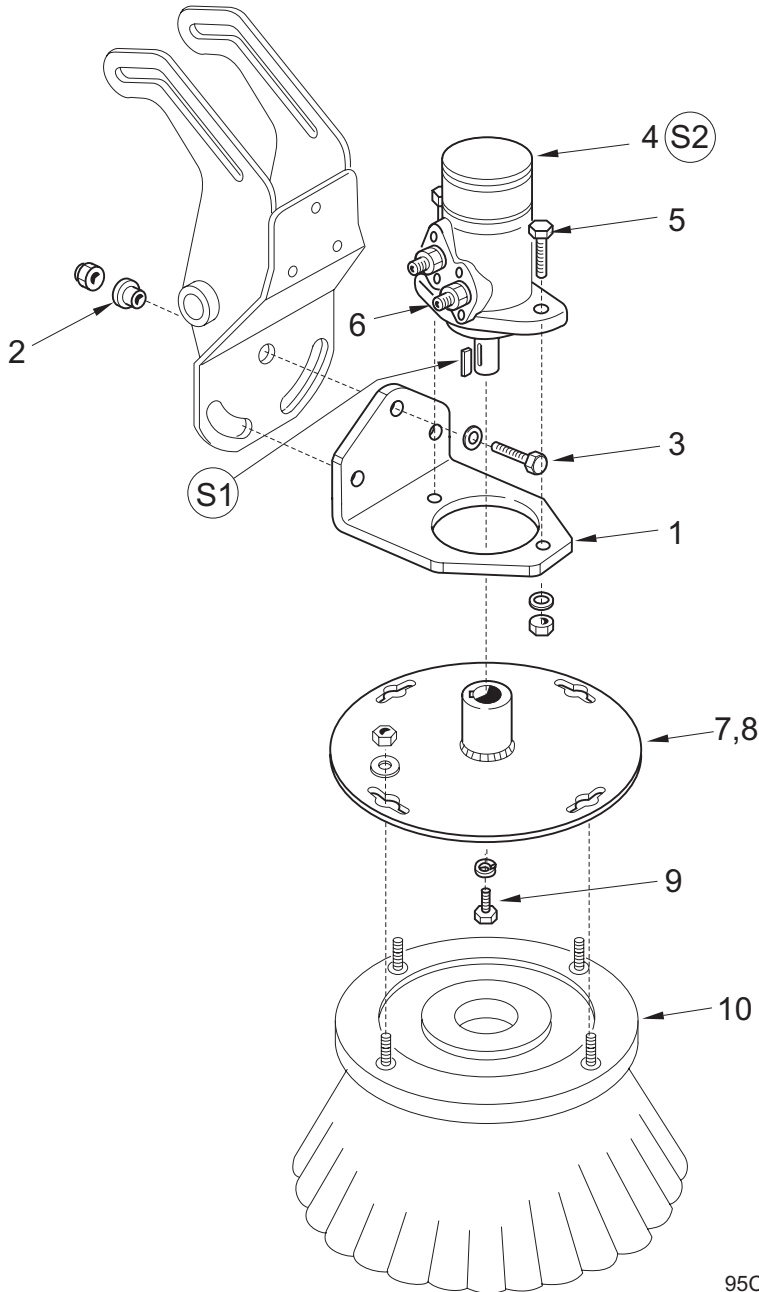
Channel Brush - Arm Assembly

BoM 951212

Item No.	Part No.	Description	Quantity
27	121-115	Screw M14 x 60	1
	420-4	Nut M14	1
28	200071-1	Mast	1
29	200355-2	Lift Cylinder	1
	29149-4	Clevis Pin) Spares	1
	39624	Retaining Clip) Items	2
30	200463-1	Pin	1
31	200462-1	Collar	1
32	457-5	Washer - Large M10	1
	124-169	Screw M10 x 25	1
	460-11	Washer - Spring M10	1
33	124-139	Screw M8 x 30	2
	460-10	Washer - Spring M8	2
34	40377-1	Bush	1
35	124-178	Setscrew M10 x 55	1
>	455-11	Washer - Plain M10	1
	420-15	Nut M10	1
36	90624-1	Spacer	2
37	282965-1	Hose Guard	1
38	124-169	Bolt M10 x 25	3
	455-11	Washer	3
	425-15	Nut Nyloc M10	3
39	-	Brush Motor and Drive Plate - See Over Page	
40	72-64	Pilot Valve	1
41	553-20	Elbow	1
	* 282945-1	Channel Brush Overhaul Kit comprising items: 2 to 6, 8 to 10, 12, 15 to 20 Plus two Pivot Pin Bosses pt.no. 40293-1 which are part of Motor Mount welded assembly, item 14.	

Notes

Channel Brush - Head Assembly



95CB. 003-3

Channel Brush - Head Assembly

BoM 951213

Item No.	Part No.	Description	Quantity	
			500 Dia. Brush	650 Dia. Brush
1	42533-1	Mounting - Brush Motor	1	1
2	281325-2	Bush	3	3
3	123-147	Bolt M12 x 45	3	3
	425-16	Nut - Nyloc M12	3	3
	455-12	Washer - Plain M12	3	3
4	40550-1	Hydraulic Motor	1	-
	61108-1	Hydraulic Motor	-	1
5	124-208	Setscrew M12 x 45	2	2
	460-12	Washer - Spring M12	2	2
	420-16	Nut - M12	2	2
6	263-4	Adaptor G1/2"	2	2
	451-126	Washer - Copper G1/2"	2	2
7	281586-1	Adaptor - Drive Plate	1	-
8	281584-1	Adaptor - Drive Plate	-	1
9	135-58	Bolt - Tuflock M8 x 25	1	1
	460-10	Washer - Spring M8	1	

Brushes. BoM 951230

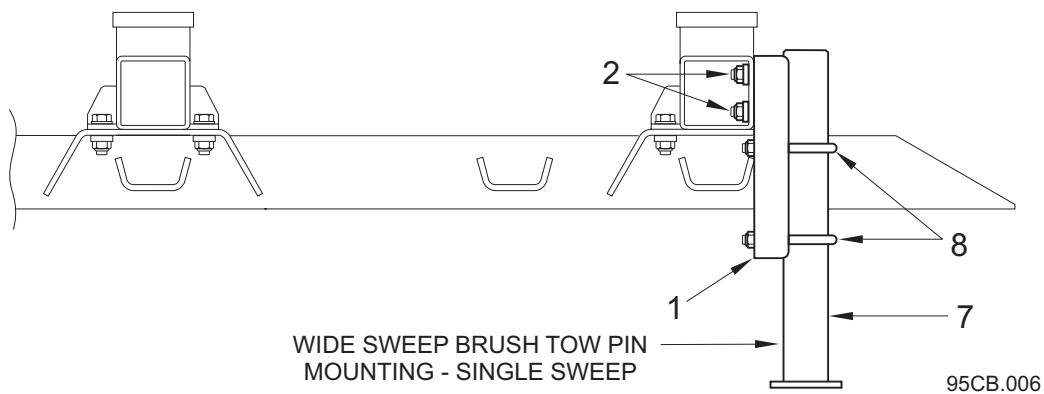
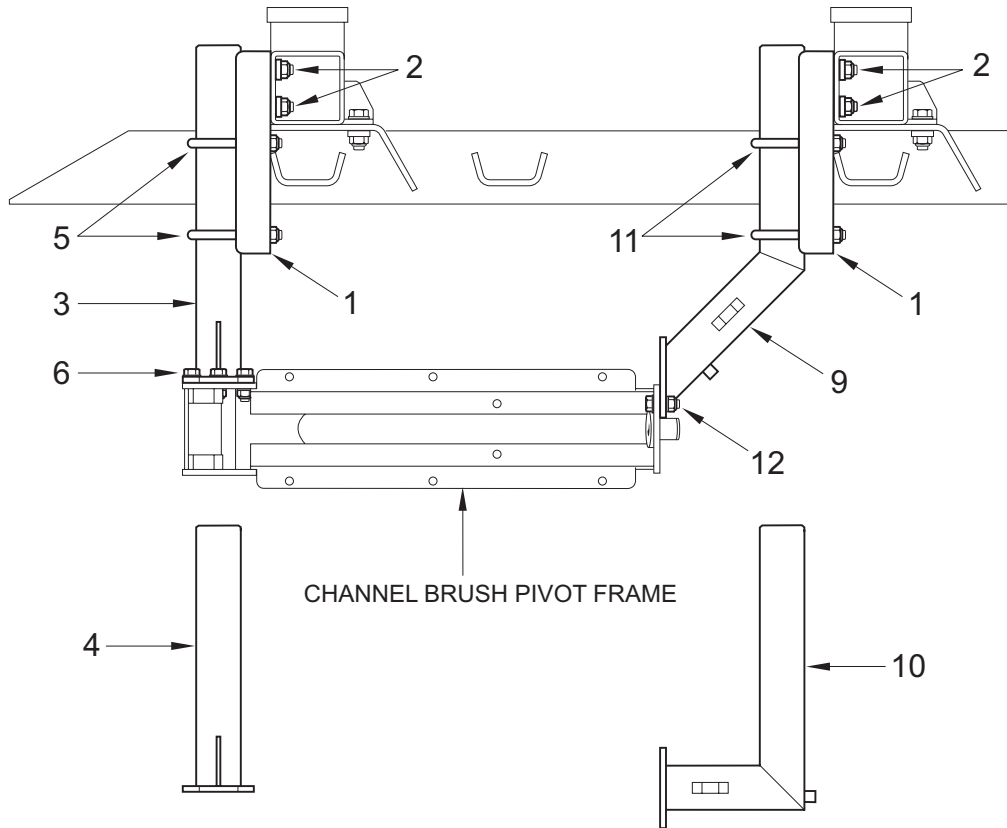
10	281893-2	Brush Ø500 with Bright Steel Tines - Green Top	1	-
	281893-10	Brush Ø500 with Polypropylene Tines - Natural Top	1	-
	281899-2	Brush Ø650 with Bright Steel Tines - Green Top	-	1
	281899-10	Brush Ø650 with Polypropylene Tines - Natural Top	-	1

Spares Items

S1	11879	Drive Key		
S2	250-2	Motor Seal Kit - Universal (for item 4)		

Notes

CB Installation - Pivot Frame to Subframe



95CB.006

CB Installation - Pivot Frame to Subframe

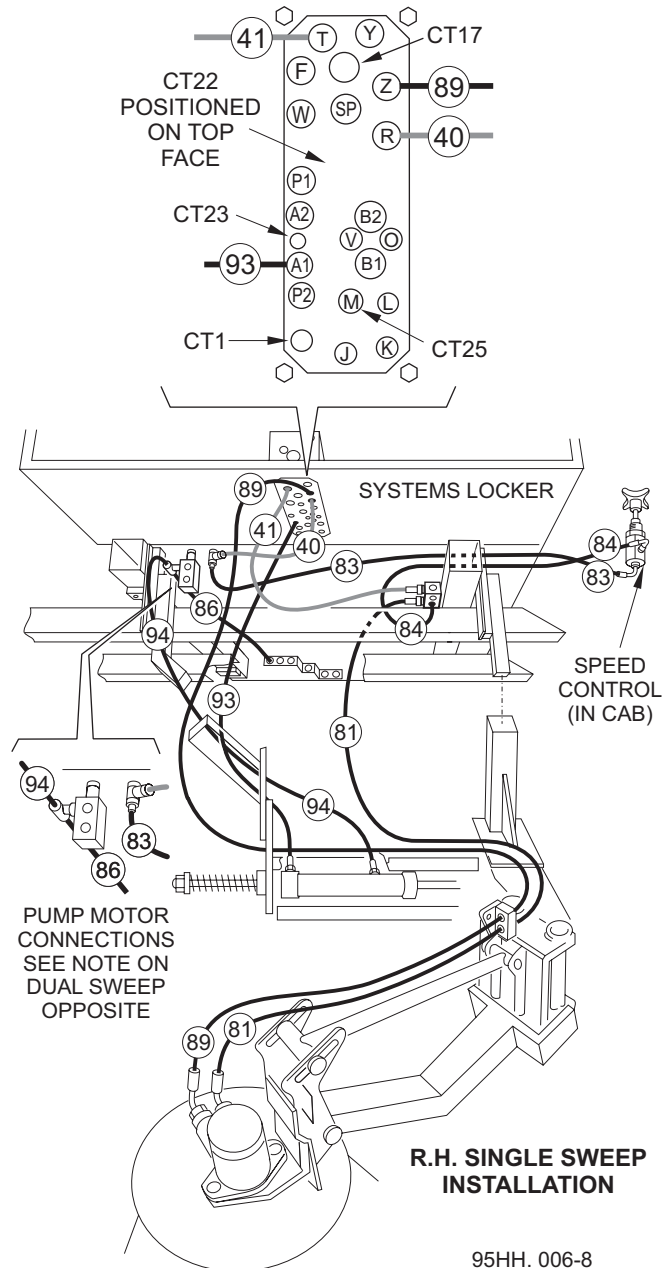
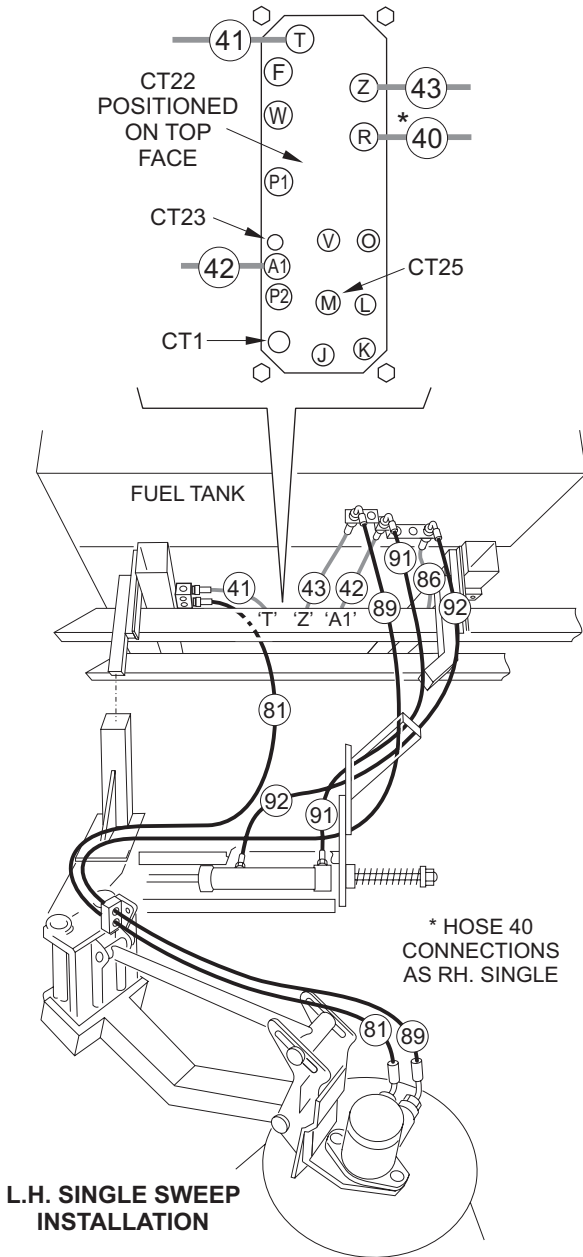
BoM 951220

Item No.	Part No.	Description	Quantity	
			Single	Dual
1	282502-1	Mounting Bracket	3	4
2	123-147	Bolt M12 x 45	12	16
	45014-25	Spacer	12	16
	425-16	Nut - Nyloc M12	12	16
* 3	281292-1	Support Post - Front 0.9 to 0.99m in Chassis Height	1	2
	281292-2	Support Post - Front 1.0 to 1.099m in Chassis Height	1	2
* 4	281292-3	Support Post - Front 0.8 to 0.89m in Chassis Height	1	2
5	281274-1	U-Bolt M12	2	4
	455-12	Washer - Plain M12	4	8
	425-16	Nut - Nyloc M12	4	8
> 6	124-207	Screw M12 x 40	5	10
	455-12	Washer - Plain M12	10	20
	425-16	Nut - Nyloc M12	5	10
* 7	281296-1	Support Post - WSB 0.9 to 0.99m in Chassis Height	1	-
	281296-2	Support Post - WSB 1.0 to 1.099m in Chassis Height	1	-
	281296-3	Support Post - WSB 0.8 to 0.89m in Chassis Height	1	-
8	281274-1	U-Bolt M12	2	-
	455-12	Washer - Plain M12	4	-
	425-16	Nut - Nyloc M12	4	-
* 9	281298-1	Support Post - Rear 0.9 to 0.99m in Chassis Height	1	2
	281298-2	Support Post - Rear 1.0 to 1.099m in Chassis Height	1	2
*10	282541-1	Support Post - Rear 0.8 to 0.89m in Chassis Height	1	2
11	281274-1	U-Bolt M12	2	4
	455-12	Washer - Plain M12	4	8
	425-16	Nut - Nyloc M12	4	8
> 12	124-207	Screw M12 x 40	2	4
	455-12	Washer - Plain M12	4	8
	425-16	Nut - Nyloc M12	2	4

Notes

* Support Posts items 3, 4, 7, 9, 10 see Chapter 33
Post, Item 7, is also shown in Wide Sweep Brush section

CB Single Sweep Installation - Hydraulic Hoses



BoM 950713, WD 232

Item Nos.	Part No.	Description	Quantity	
			Single	Dual
40	HC08001-86	1/2" Hydraulic Hose	1	1
41	HC08001-146	1/2" Hydraulic Hose	1	1
42	HC04001-141	1/4" Hydraulic Hose	1	1
43	HC08001-167	1/2" Hydraulic Hose	1	1
44	HC08001-167	1/2" Hydraulic Hose	-	1

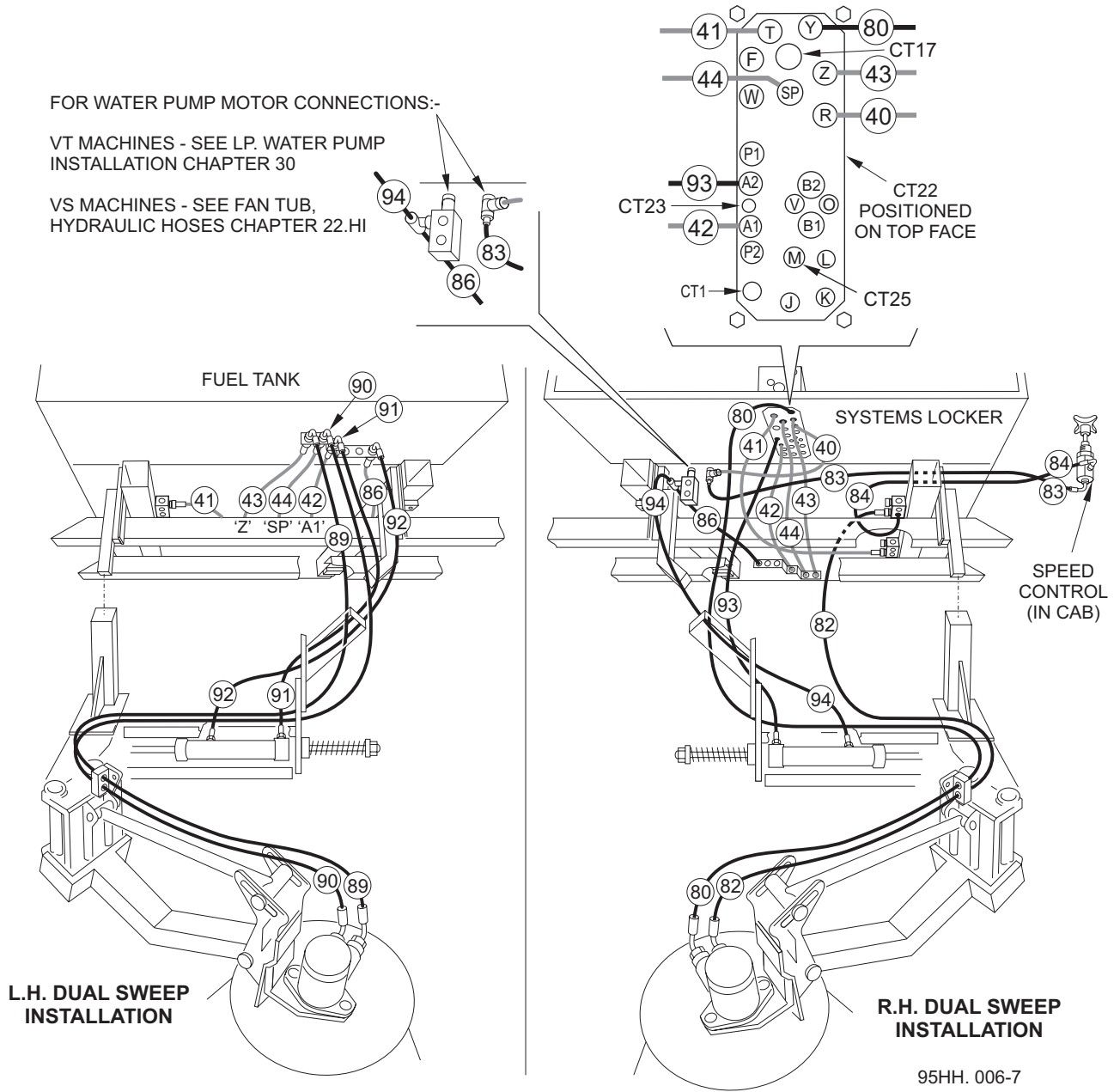
Continued on next page

CB Dual Sweep Installation - Hydraulic Hoses

FOR WATER PUMP MOTOR CONNECTIONS:-

VT MACHINES - SEE LP. WATER PUMP
INSTALLATION CHAPTER 30

VS MACHINES - SEE FAN TUB,
HYDRAULIC HOSES CHAPTER 22.HI



L.H. DUAL SWEEP
INSTALLATION

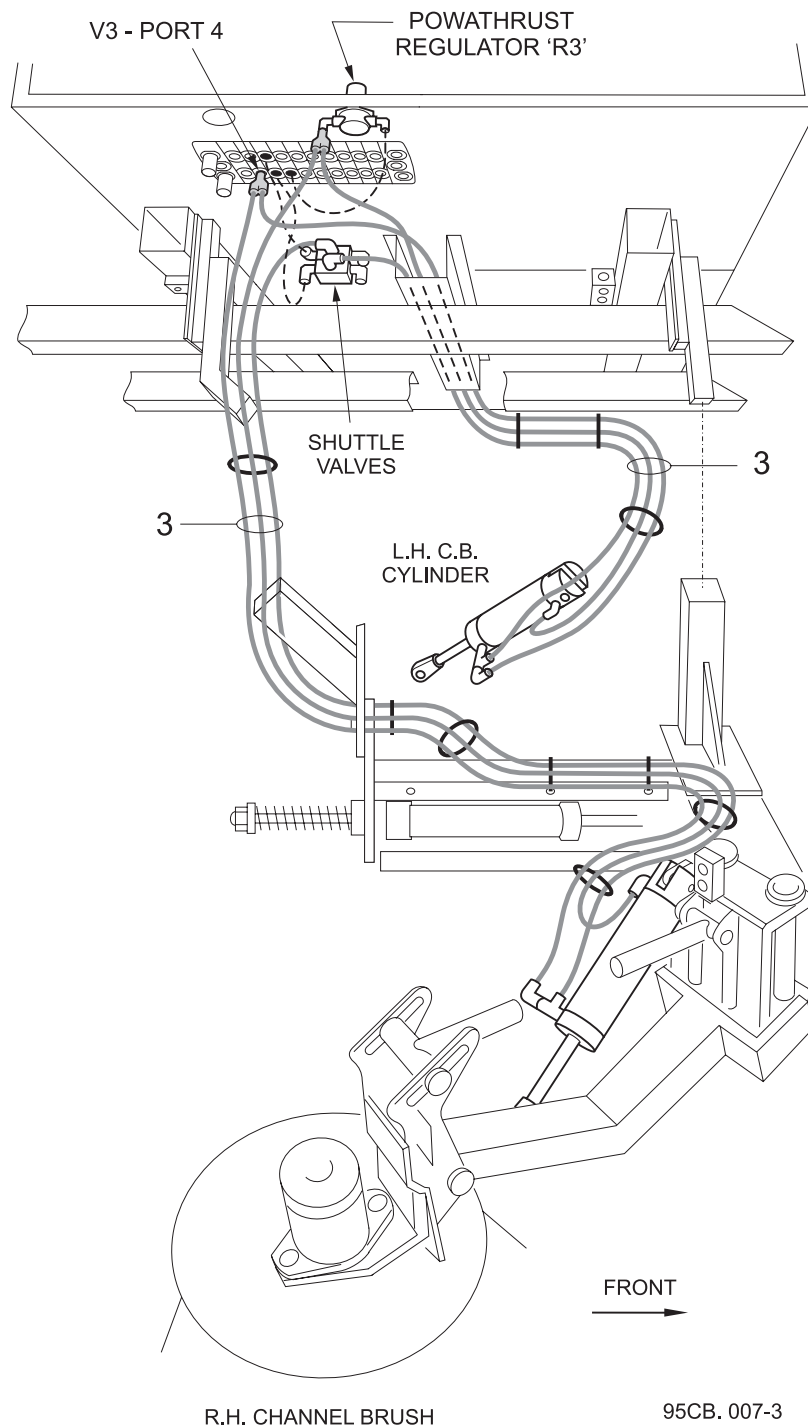
R.H. DUAL SWEEP
INSTALLATION

95HH. 006-7

BoM 951220

Item No.	Part No.	Description	Quantity	
			Single	Dual
83/84	-	See Chapter 33		
80/89	HC08002-290	1/2" Hydraulic Hose	2	4
82/90	HC08002-290	1/2" Hydraulic Hose	2	4
86	HC04002-130	1/4" Hydraulic Hose	1	1
91/93	HC04001-120	1/4" Hydraulic Hose	1	2
92/94	HC04001-120	1/4" Hydraulic Hose	1	2

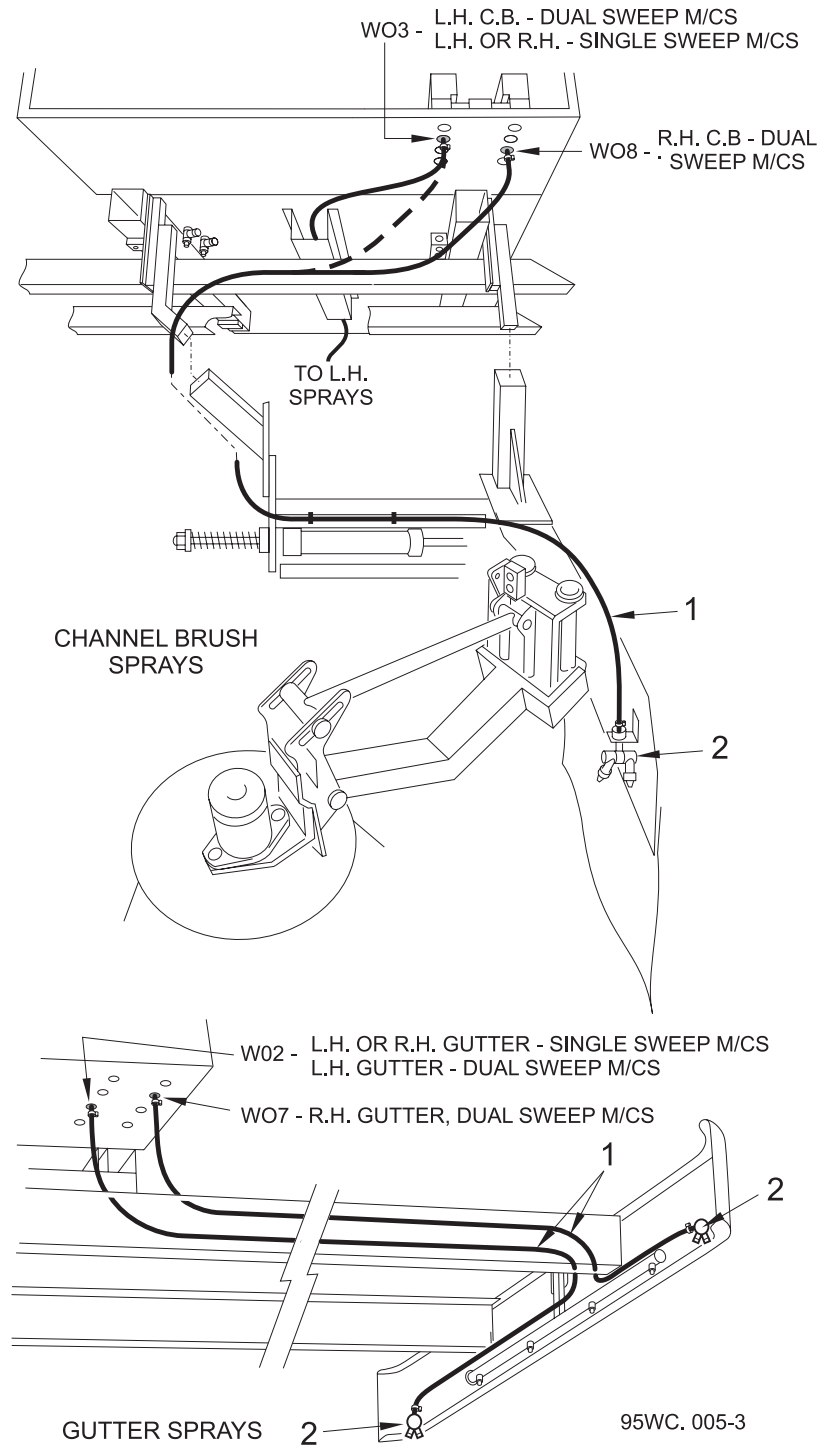
CB Installation - Pneumatic Tubing



BoM 951220

Item Nos.	Part No.	Description	Quantity	
			Single	Dual
1	510-4	Tubing Nut	-	1
	511-4	Olive M8	-	1
2	521-8	Elbow	-	1
3	273-20	Blue Tubing 6 Diameter	12m	18m

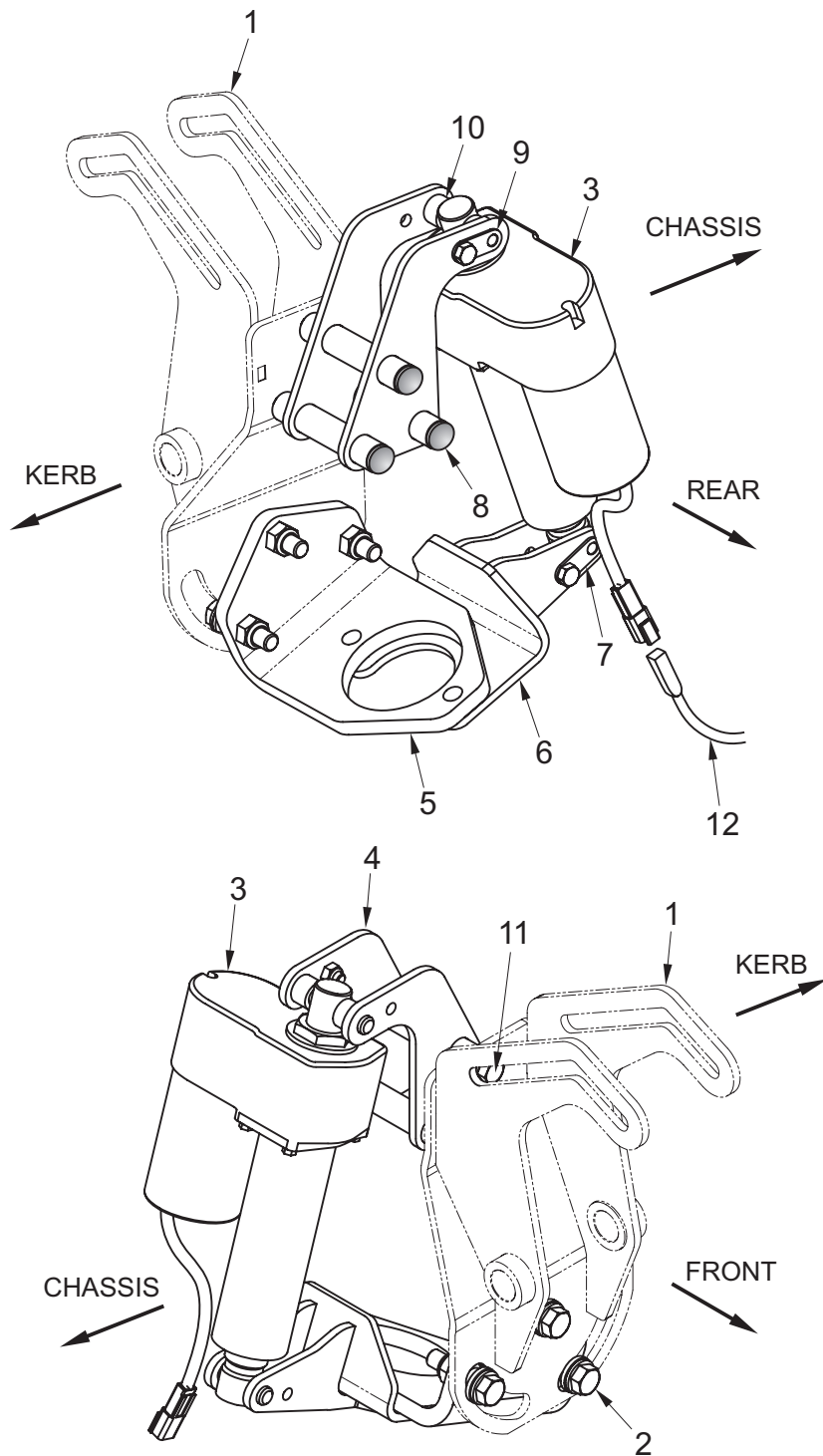
CB Installation - Water Sprays



BoM 951220

Item Nos.	Part No.	Description	Quantity
1	-	Water Hoses - See Chapter 30	-
2	282207	Water Jet Assembly - See elsewhere in this chapter	-

Rotatilt Option



95CB. 008

L.H. ASSEMBLY SHOWN
(R.H. ASSEMBLY IS A MIRROR IMAGE)

Rotatilt Option

KT 02295

Item No.	Part No.	Description	Quantity
	282509-1	Rotatilt Installation 12v	
	282509-2	Rotatilt Installation 24v	
1	282505-1	Motor Mount	1
2	123-148	Screw M12 x 50	3
	281325-1	Bush x 6.5 Long	3
	455-12	Washer	3
	425-16	Nut - Nyloc M12	3
3	282508-12	Electric Actuator 12v	1
	282508-24	Electric Actuator 24v	1
4	282506-1	Pylon	1
5	42533-1	Brush Motor Mount	1
6	282507-1	Lower Mount Bracket	1
7	281330-2	Clevis Pin	1
	124-135	Bolt M8 x 20	1
	425-14	Nut - Nyloc M8	1
8	44-63	Plug	3
9	281330-1	Clevis Pin	1
	124-135	Bolt M8 x 20	1
	425-14	Nut - Nyloc M8	1
10	281314-1	Spacer	2
11	124-171	Bolt M10 x30	3
	460 - 11	Washer	3
12	282053-1	Loom - Switch Panel to Actuator 12v	1
	282053-2	Loom - Swtich Panel to Actuator 24v	1

Notes

The Rotatilt option requires an Options Switch Panel, see Chapter 32, that includes the necessary switches and wiring.

See Diagram SE571z01 in Chapter 9 of the Maintenance Section for wiring details.

CHAPTER

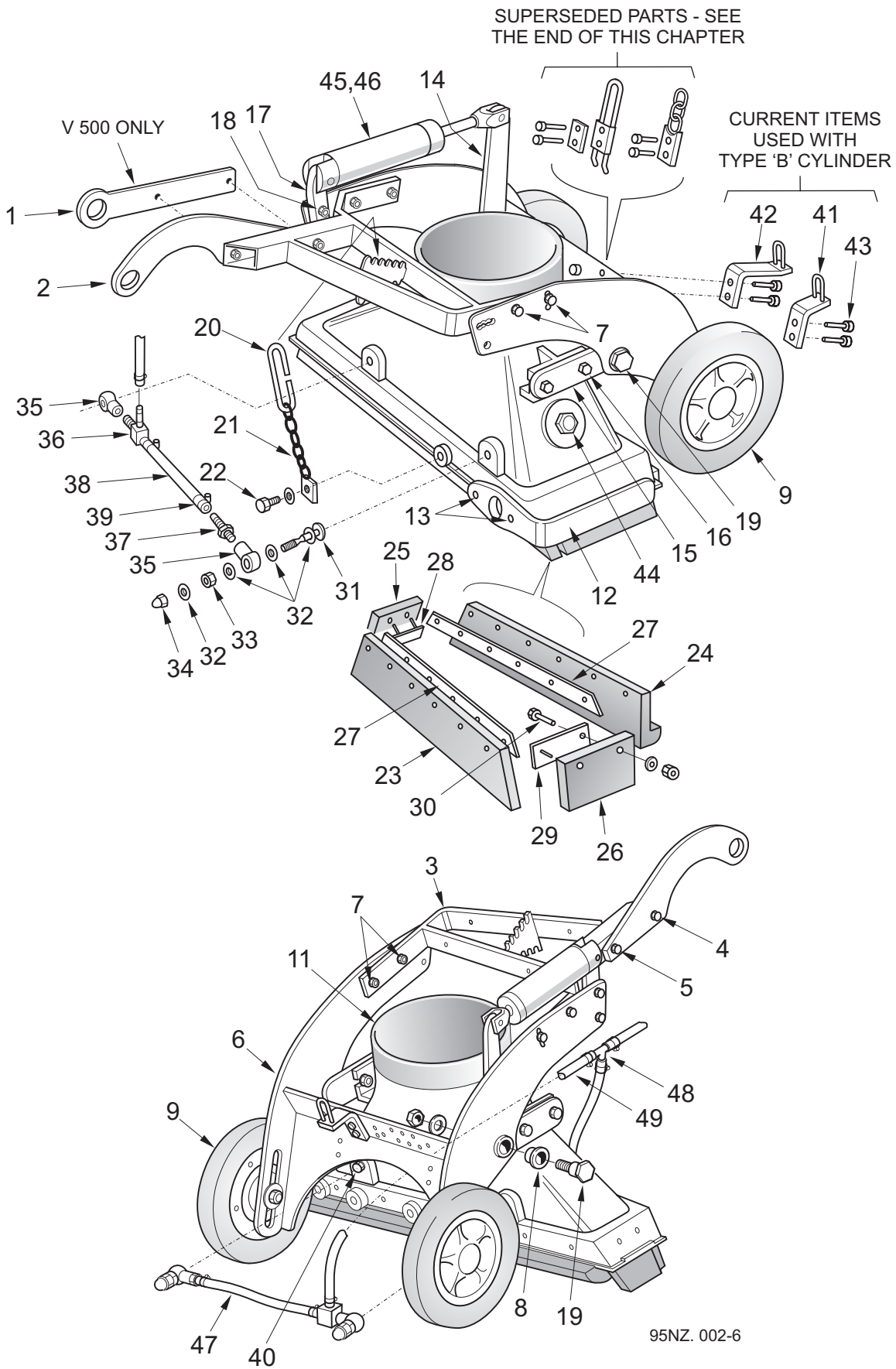
25

Nozzle

Table of Contents

Section	Page
Nozzle	
Nozzle Assembly	25 : 2
Wheel Assembly	25 : 5
Nozzle Installation	25 : 6
> Superseded Parts	25 : 8

Nozzle Assembly



Nozzle Assembly

Carriage. BoM 941111, 951111

Item No.	Part No.	Description	Quantity
Carriage Assembly comprising items 2 to 8:-			
1	294081-1	Tow Eye - V 500 Only	1
2	201227-1	Tow Eye - V 605, 650, 800	1
3	201240-1	Towbar	1
4	124-173	Screw M10 x 35	1
	455-11	Washer - Plain M10	2
	425-15	Nut M10	1
5	124-181	Screw M10 x 70	1
	455-11	Washer - Plain M10	2
	425-15	Nut M10	1
6	283360-1	Cradle	1
7	124-173	Screw M10 x 35	4
	425-15	Nut M10	4
	457-5	Washer Ø10	4
8	283374-1	Pivot Bush	2
9	63491-1	Nozzle Wheel - See over page	2
10	-		

Dressing. BoM 951112

11	281420-2	Nozzle - Fully Lined	1
12	281754-1	Bumper	1
13	124-207	Screw M12 x 40	2
	425-16	Nut M12	2
	455-12	Washer Ø12	2
14	281752-1	Actuator Arm	1
15	281751-1	Pivot Arm	1
16	124-176	Screw M10 x 45	4
	425-15	Nut - Nyloc M10	4
	475-5	Washer - Large Ø10	4
	450-49	Washer - Taper	4
17	280866-1	Mast	1
18	124-175	Screw M10 x 40	2
	455-11	Washer Ø10	2
	425-15	Nut M10	2
19	283363-1	Pivot Bolt	2
	425-20	Nut M20	2
	455-16	Washer Ø20	2
20	282968-1	Hook	1
21	62353-4	Link	1
22	124-201	Screw M12 x 25	1
	425-16	Nut M12	1
	455-12	Washer Ø12	1

Nozzle Assembly

Item No.	Part No.	Description	Quantity	
	282538-1	Nozzle Rubber Spares Kit comprising items 23 to 26:-		
23	62005-1	Nozzle Rubber - Front	1	
24	282230-1	Nozzle Rubber - Rear	1	
25	281045-1	Nozzle Rubber - Inner	1	
26	281044-1	Nozzle Rubber - Outer	1	
	282538-3	Nozzle Strip Spares Kit comprising items 27, 28, 29:-		
27	94017-1	Clamp Plate - Front/Rear	2	
28	63667-1	Clamp Plate - Inner	1	
29	63666-1	Clamp Plate - Outer	1	
30	136-23	Carriage Bolt M8 x 45	16	
	455-10	Washer Ø8	16	
	415-8	Nut M8 - Stainless Steel	16	
31	282781-1	Water Jet 1.6mm	2	
32	453-1	Fibre Washer Ø20 - 4 Per Jet	8	
33	416-12	Locknut M12 - Stainless Steel	2	
34	418-12	Domed Nut - Stainless Steel	2	
35	26997-1	Banjo Connector	2	
36	90696-1	Tee Connector	1	
37	46382-3	Hose Adaptor	1	
38	39444	Hose	0.34m	
39	501-1	Hose Clip	2	
40	124-203	Screw M12 x 30) Not required when	2	
	455-12	Washer Ø12) Additional Water Option	2	
	425-16	Nut M12) items 47 - 49 is fitted	2	
}	41	284072-1	Lift Cylinder Bracket - V605, 650, 800	1
	42	284079-1	Lift Cylinder Bracket - V500 Only	1
	43	124-171	Screw M10 x 30	2
		425-15	Nut Nyloc M10	2
44	281755-1	Plug G3/4"	1	
	410-57	Nut G3/4"	1	

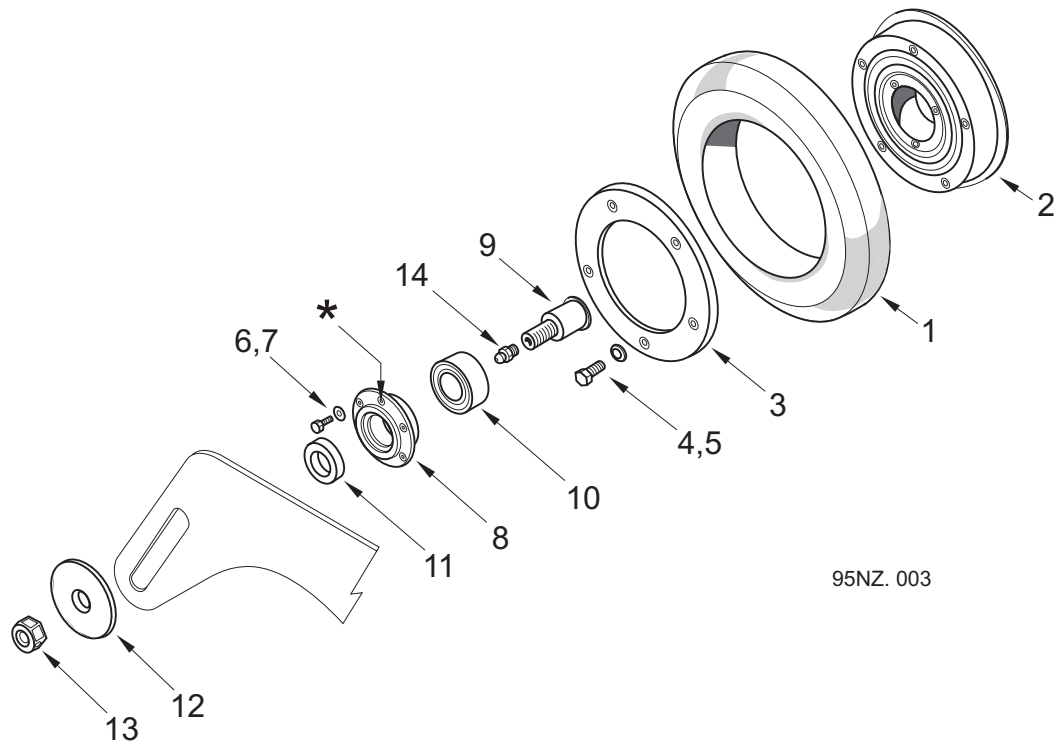
Actuation. BoM 951113

45	290001-1	Maxigap Cylinder	1
46	-	Varagap Cylinder - See Options Section 35.SG	1

Additional Water Option KT 00995

47	-	Injection Parts - as standard Front Sprays, items 31 to 39	
48	277-2	Tee Connector	1
49	39444	Hose	0.34m
	501-1	Hose Clip	4

Nozzle Wheel

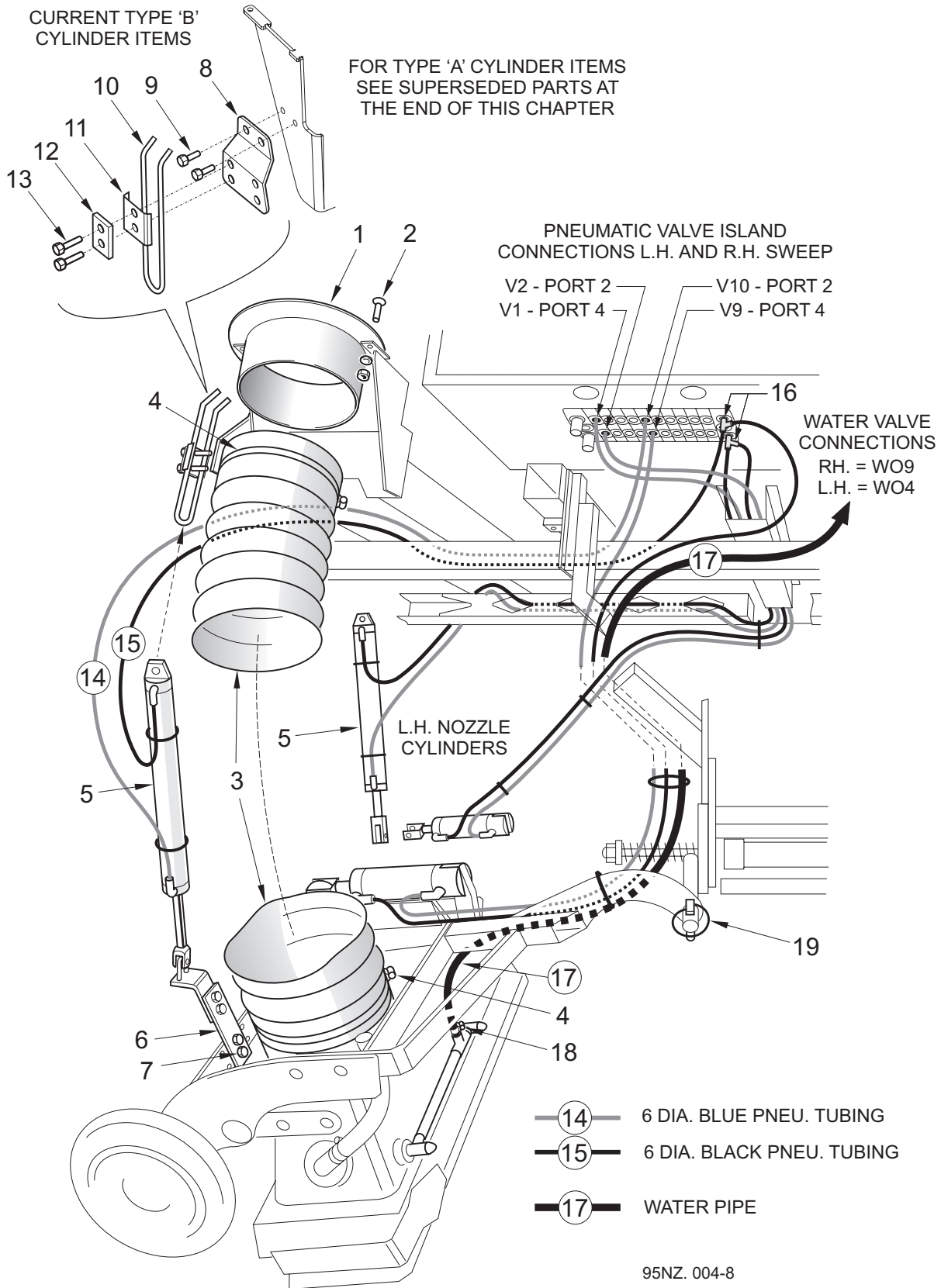


Item No.	Part No.	Description	Quantity
	63491-1	Nozzle Wheel comprising:	
1	16752	Tyre	1
2	63493-1	Hub	1
3	16750-1	Backplate - Tyre	1
4	124-134	Screw M8 x 16	5
5	460-10	Washer - Spring M8	5
6	124-102	Screw M6 x 16	3
7	460-8	Washer - Spring M6	3
8	63495-1	Retainer Plate	1
9	63492-1	Spindle	1
10	14-52	Bearing	1
11	63494-1	Collar	1
12	9114-2	Washer - Special	2
13	425-18	Nut - Nyloc M16	2
14	38-30	Grease Nipple M6 Straight	1

Notes

To withdraw bearing, remove wheel assembly from carriage and refit washer and nut, items 12 and 13. Insert M6c x 50mm screws (124-113) in the three unused retainer plate holes*. Tighten each bolt half a turn at a time to extract bearing.

Nozzle Installation with Current Type 'B' Lift Cylinder



Nozzle Installation with Current Type 'B' Lift Cylinder

BoM 951120

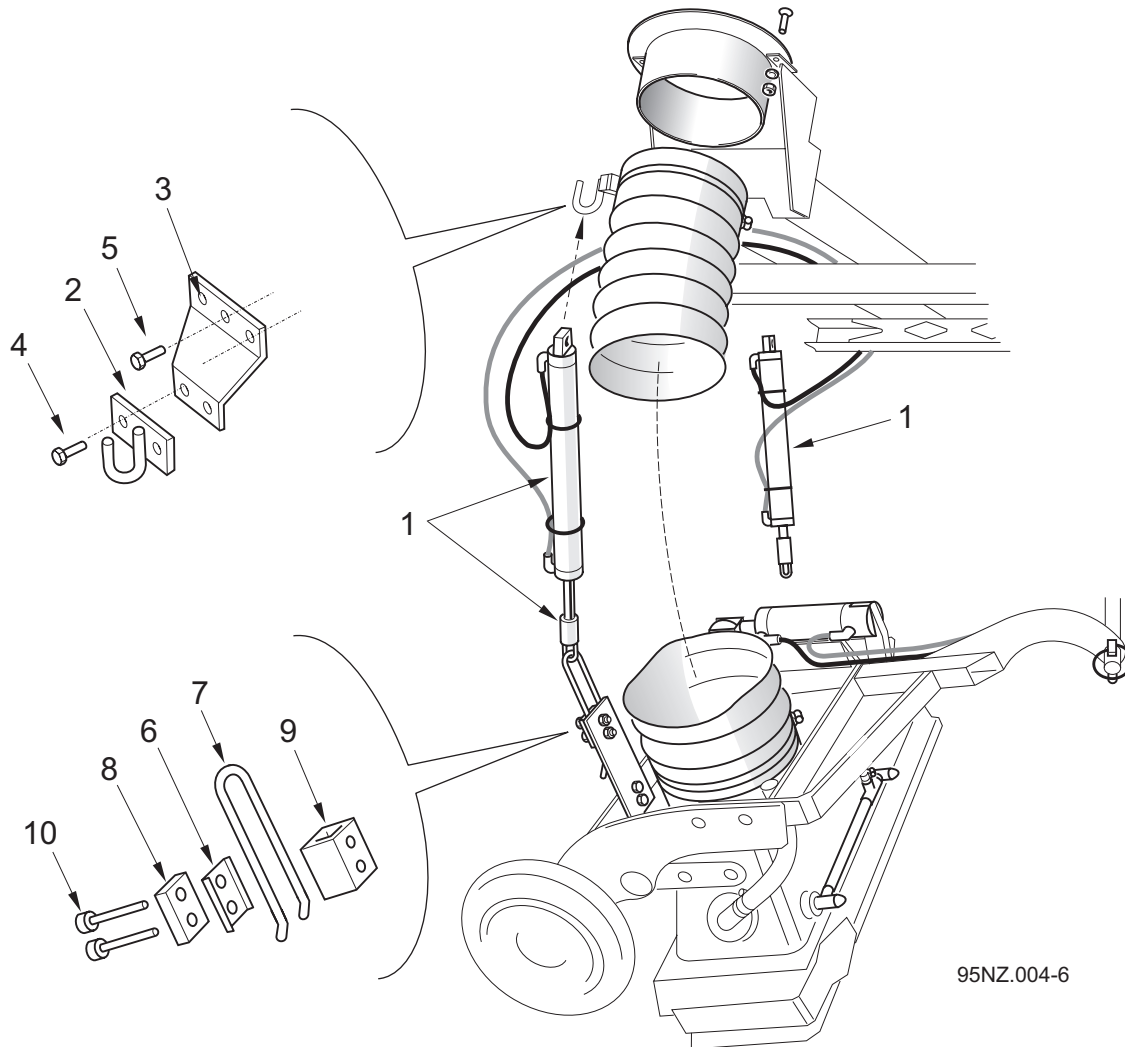
Item No.	Part No.	Description	Quantity		
			Single	Dual	
* 1	94990-1	Intake Seat - 0.8 to 0.99m Chassis Height	1	2	
	94990-3	Intake Seat - 1.0 to 1.099m Chassis Height	1	2	
2	127-139	Screw - Countersunk M8 x 30	3	6	
	460-10	Washer M8	3	6	
	420-10	Nut M8	3	6	
3	94992-2	Nozzle Trunking	1	2	
4	504-54	Hose Clip	2	4	
† 5	29284-2	Lift Cylinder	1	2	
6	807186	High Chassis Installation Drawing Items 6 and 7:			
	807182-1	Adaptor Plate	1	2	
	7	124-171	Screw M10 x 35	2	4
	455-11	Washer M10	2	4	
7	425-15	Nut - Nyloc	2	4	
	8	284017-1	Cylinder Mounting Plate	1	2
9	124-171	Screw M10 x 30	2	4	
	425-15	Nut M10	2	4	
10	40405-1	Lifting Eye	1	2	
11	40404-1	Clamp Washer	1	2	
12	63345-1	Clamp Block	1	2	
13	124-176	Screw M10 x 45	2	4	
	425-15	Nut M10	2	4	
14	273-20	Pneumatic Tubing Ø6 Blue	10m	16m	
15	12869	Pneumatic Tubing Ø6 Black	6m	9m	
16	554-3	Tee Adaptor	-	2	
17	39444	Water Pipe	5m	8m	
18	501-1	Hose Clip	2	4	
19	60-1	Linch Pin	1	2	

Notes

* For Heavy Duty Rubber Lined Intake Seat see Optional Equip't Chapter 35 - Body Section BD.

Quick release couplings for the air and water pipes can be fitted if nozzles are to be regularly changed, i.e. standard Maxigap for a full width type as covered in the Sweep Gear section of chapter 35. Drawing 283544 is available from the parts department listing parts used.

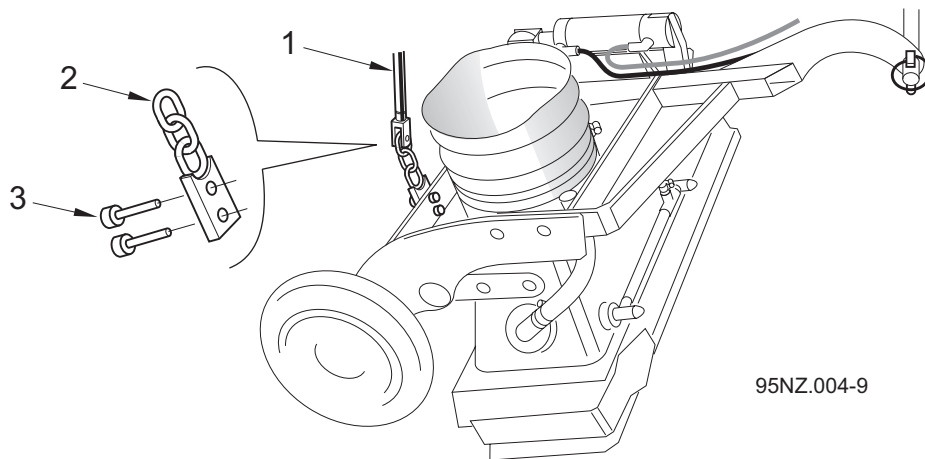
† The superseded Type 'A' Lift Cylinder Installation is shown on the next page.

Superseded Parts - Type 'A' Lift Cylinder Installation


95NZ.004-6

Item No.	Part No.	Description	Quantity
1	28903-1	Lift Cylinder - Type 'A'	1
	28903-111	Rod Eye	1
2	40269-1	Cylinder Hook - Nozzle Lift	1
3	50603-1	Cylinder Hook Bracket - chassis dependant	1
4	124-173	Screw M10 x 35	2
	425-15	Nut M10	2
5	124-171	Screw M10 x 30 - 605, 650, 800 Series	2
	425-15	Nut M10	2
6	40404-1	Clamp Washer	1
7	40405-1	Lifting Eye	1
8	63345-1	Clamp Block	1
9	294123-1	Spacer Box - V500 Only	1
10	124-178	Screw M10 x 55 - V605, 650, 800	2
	123-138	Bolt M10 x 90 - V500 Only	2
	425-15	Nut Nyloc M10	2

Superseded Parts - Type 'B' Lift Cylinder Parts



Item No.	Part No.	Description	Quantity
1	-	Lift Cylinder - Type 'B'	1
2	284012-1	Nozzle Lift Link	1
3	124-171	Screw M10 x 30	2
	425-15	Nut M10	2

Notes

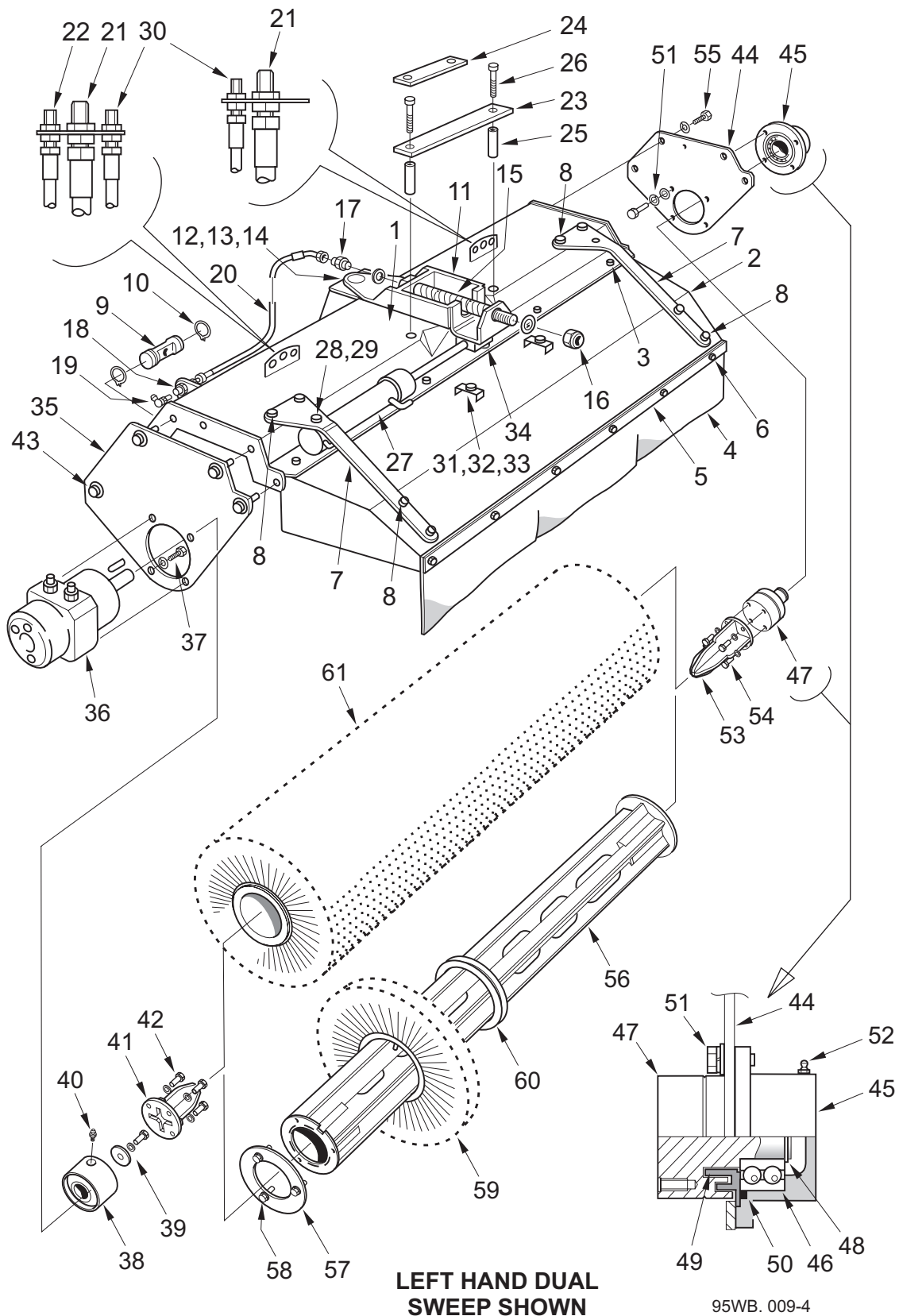
CHAPTER

26**Wide Sweep Brush****Table of Contents**

Section	Page
Assembly	
Wide Sweep Brush Assembly	26 : 2
Tow Bar Installations	26 : 6
Installation	
Pneumatics - Suspension Cylinders	26 : 7
Pneumatics - Suspension Regulation, Single Sweep	26 : 8
Pneumatics - Suspension Regulation, Dual Sweep	26 : 9
Hydraulic Hoses	26 : 10
Water - Spray Bar	26 : 14

Wide Sweep Brush Assembly

Note: Hydraulic hoses are listed on pages 26:10 and 26:12



Wide Sweep Brush Assembly

Carriage Assembly - BoM 951011

Item No.	Part No.	Description	Quantity
1	283102-1	Carriage	1
2	283091-1	Curtain	1
3	124-169	Screw M10 x 25	4
	455-11	Washer - Plain M10	8
	425-15	Nut - Nyloc M10	4
4	200055-1	Rubber Curtain	1
5	283126-1	Retaining Strip	1
6	124-137	Screw M8 x 25	6
	455-10	Washer - Plain M8	12
	425-14	Nut - Nyloc M8	6
7	283090-1	Curtain Support	2
8	124-171	Screw M10 x 30	8
	455-11	Washer - Plain M10	16
	425-15	Nut - Nyloc M10	8
9	62097-1	Anchor Pin	2
10	27-2	Circlip	4
11	283103-1	Compensator	1
12	62095-1	Plate - Keeper	1
13	29395-2	Bearing	1
14	124-135	Screw M8 x 20	2
	460-10	Washer - Spring M8	2
15	283092-1	Shaft	1
16	455-16	Washer - Plain M20	1
	425-7	Nut - Nyloc M20	1
17	265-1	Adaptor 1/8" x 1/4" BSP	1
	451-4	Washer - Sealing 1/8" BSP	1
18	262-2	Adaptor - Bulkhead G1/4"	1
19	38-11	Grease Nipple - 90°	1
20	HC04036-87	Hose - 1/4" Megaflex	1
21	264-4	Adaptor - Bulkhead G1/2"	2
22	264-2	Adaptor - Bulkhead G1/4"	1

WSB Slew - BoM 951012

			Single	Dual
23	283127-1	Slew Retainer	-	1
24	283127-2	Slew Retainer	1	-
25	283128-1	Spacer	-	2
26	123-154	Bolt M12 x 80	2	2
>	455-12	Washer - Plain M12	4	4
	425-16	Nut - Nyloc M12	2	2

Wide Sweep Brush Assembly
WSB Slew - BoM 951012

Item No.	Part No.	Description	Quantity	
			Single	Dual
27	29160-1	Cylinder	-	1
28	283129-1	Bush - Cylinder Mount	-	1
29	123-140	Bolt M10 x 100	-	1
	455-11	Washer - Plain M10	-	2
	457-5	Washer - Plain M10 Large	-	1
	425-15	Nut - Nyloc M10	-	1
30	264-2	Adaptor - Bulkhead G1/4"	-	2
31	51-51	Clamp - Single	2	-
32	51-50	Clamp - Twin	-	2
33	124-111	Screw M6 x 40	2	2
	425-13	Nut - Nyloc M6	2	2
34	124-199	Screw M12 x 20	-	1
	460-12	Washer - Spring M12	-	1
	457-6	Washer - Plain M12 Large	-	1

Motor Assembly - BoM 941013, 951013

	283110-1	Motor Plate Assembly - V605, 650, 800) both comprising		
	283110-3	Motor Plate Assembly - V500) items 36 to 42		
35	283112-1	End Plate - V605, 650, 800	1	
	283231-1	End Plate - V500 Only	1	
36	99972-1	Motor - OMPW 200	1	
37	124-171	Screw - M10 x 30	4	
	460-11	Washer - Spring M10	4	
	455-11	Washer - Plain M10	4	
38	283109-1	Drive Motor Adaptor	1	
39	62064-1	Washer - Special	1	
	124-136	Screw M8 x 22	1	
	460-10	Washer - Spring M8	1	
40	38-30	Grease Nipple	1	
41	283105-1	Drive Dog	1	
42	124-137	Setscrew M8 x 25	4	
	460-10	Washer - Spring M8	4	
43	124-169	Screw M10 x 25	4	
	460-11	Washer - Spring M10	4	
	455-11	Washer - Plain M10	4	

Bearing Assembly - BoM 941014, 951014

	283111-1	Bearing Plate Assembly - V605, 650, 800) both comprising		
	283111-3	Bearing Plate Assembly - V500 only) items 44 to 54		
44	283112-1	Side Plate - V605, 650, 800	1	
	293530-1	Side Plate - V500 only	1	

Wide Sweep Brush Assembly

Item No.	Part No.	Description	Quantity
45	283107-1	Bearing - Housing	1
46	14-47	Bearing	1
47	283108-1	Drive Adaptor	1
48	27-15	Circlip - External	1
49	283121-1	Labyrinth	1
50	80-94	'O' Ring	1
51	124-169	Screw M10 x 25	4
	460-11	Washer - Spring M10	4
	455-11	Washer - Plain M10	4
52	38-30	Grease Nipple	1
53	283106-1	Driven Dog	1
54	124-137	Setscrew M8 x 25	4
	460-10	Washer - Spring M8	4
55	124-169	Screw M10 x 25	4
	460-11	Washer - Spring M10	4
	455-11	Washer - Plain M10	4

WSB Dressing - BoM 941030, 951030

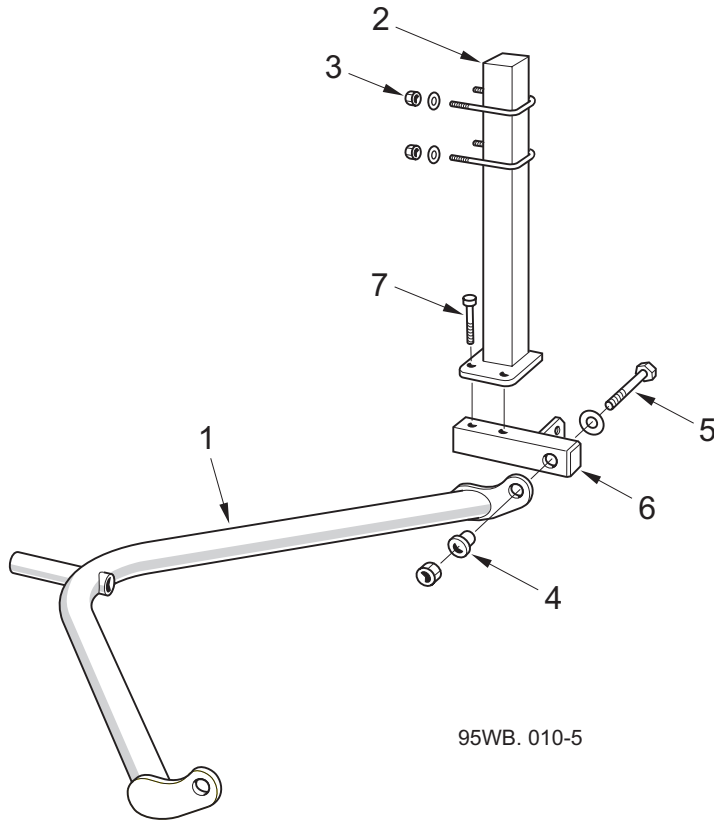
Segment System

	283114-1	Stock Assembly comprising items 56 to 58:-		
56	283101-1	Stock - One Piece	1	
57	283115-1	Closing Plate - Driven End	1	
58	118-137	Screw M8 x 25 - Stainless Steel	4	
	454-8	Washer - Plain M8 Stainless Steel	4	
	458-8	Washer - Spring M8 Stainless Steel	4	
>	59	834-1	Poly Segment - V605, 650, 800	44
>		283385-340	Poly Segment - V500	44
>	60	13515	Spacer	42

Modular System

61	295050-406	Poly Brush Stock - V605, 650, 800	1
	295050-340	Poly Brush Stock - V500	1

Notes

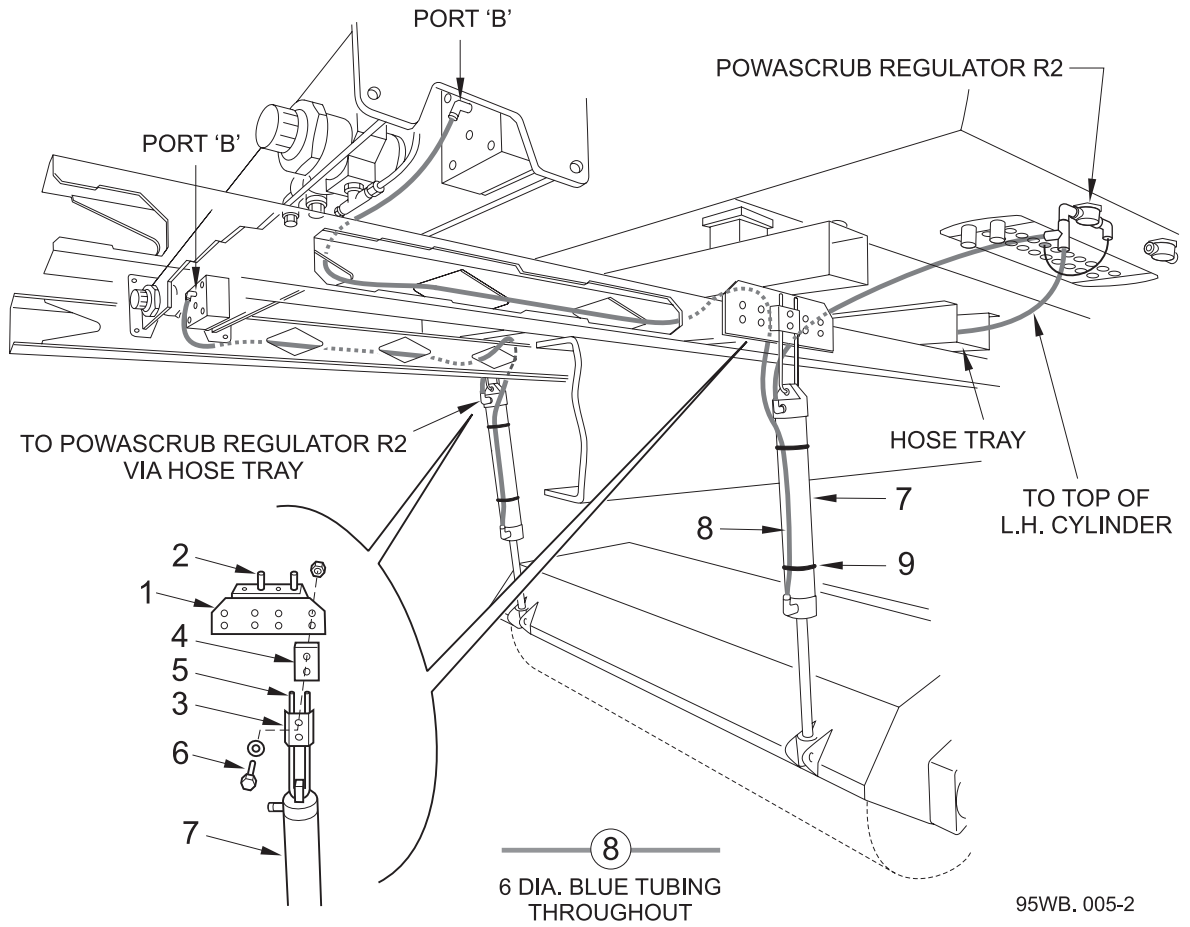
Towbar Installations

Towbar Assembly - BoM 951015 (V650, 800). BoM 941015 (V500)

1	283662-1	Towbar - V650, 800 Range	1
	293550-1	Towbar - V500 Range	1

WSB Installation - BoM 951020

			Single	Dual
2	281296-1	Support - Chassis Height 0.9 - 0.99m	1	-
	281296-2	Support - Chassis Height 1.0 - 1.099m	1	-
	281296-3	Support - Chassis Height 0.8 - 0.99m	1	-
3	281274-1	U-Bolt M12	2	-
	455-12	Washer - Plain	4	-
	425-16	Nut - Nyloc M12	4	-
4	62099-2	Tow Point - Bush	2	2
5	124-217	Screw M12 x 90	2	2
	455-12	Washer - Plain M12	2	2
	425-16	Nut - Nyloc M12	2	2
	6	62819-1	Box - Towpoint	1
7	123-151	Bolt M12 x 65	2	-
	460-12	Washer - Spring	2	-
	425-16	Nut - Nyloc M12	2	-

WSB Installation - Pneumatics - Suspension Cylinders

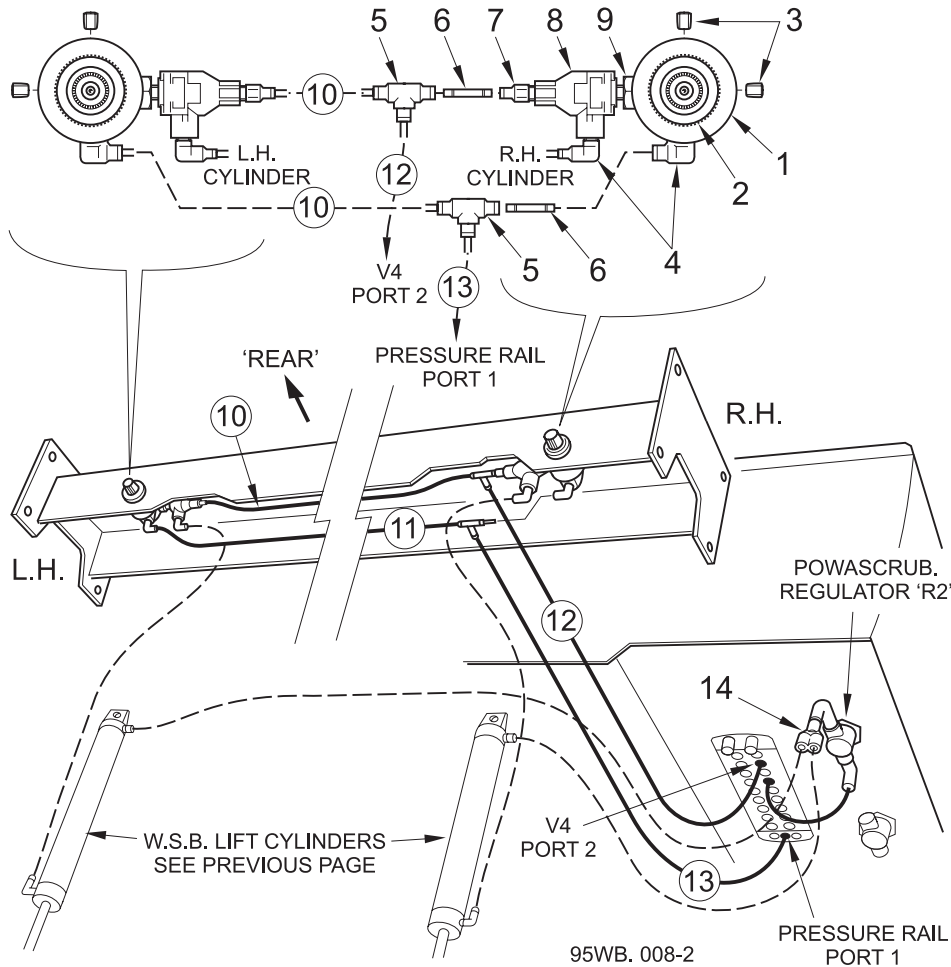


95WB.005-2

BoM 951020

Item No.	Part No.	Description	Quantity
1	281549-1	Suspension Bracket	2
2	124-199	Screw M12 x 20	4
	460-12	Washer - Spring M12	4
3	40404-1	Clamp Washer	2
4	63345-1	Clamp Block	2
5	40405-1	Lifting Eye	2
6	124-178	Screw M10 x 55	4
	455-11	Washer - Plain M10	4
	425-15	Nut - Nyloc M10	4
7	29284-2	Pneumatic Cylinder	2
8	273-20	Tube - Blue Nylon 6mm OD	
		0.9 to 0.99m Chassis Height	6m
		1.0 to 1.099m Chassis Height	6.5m
9	24-1	Cable Tie	4

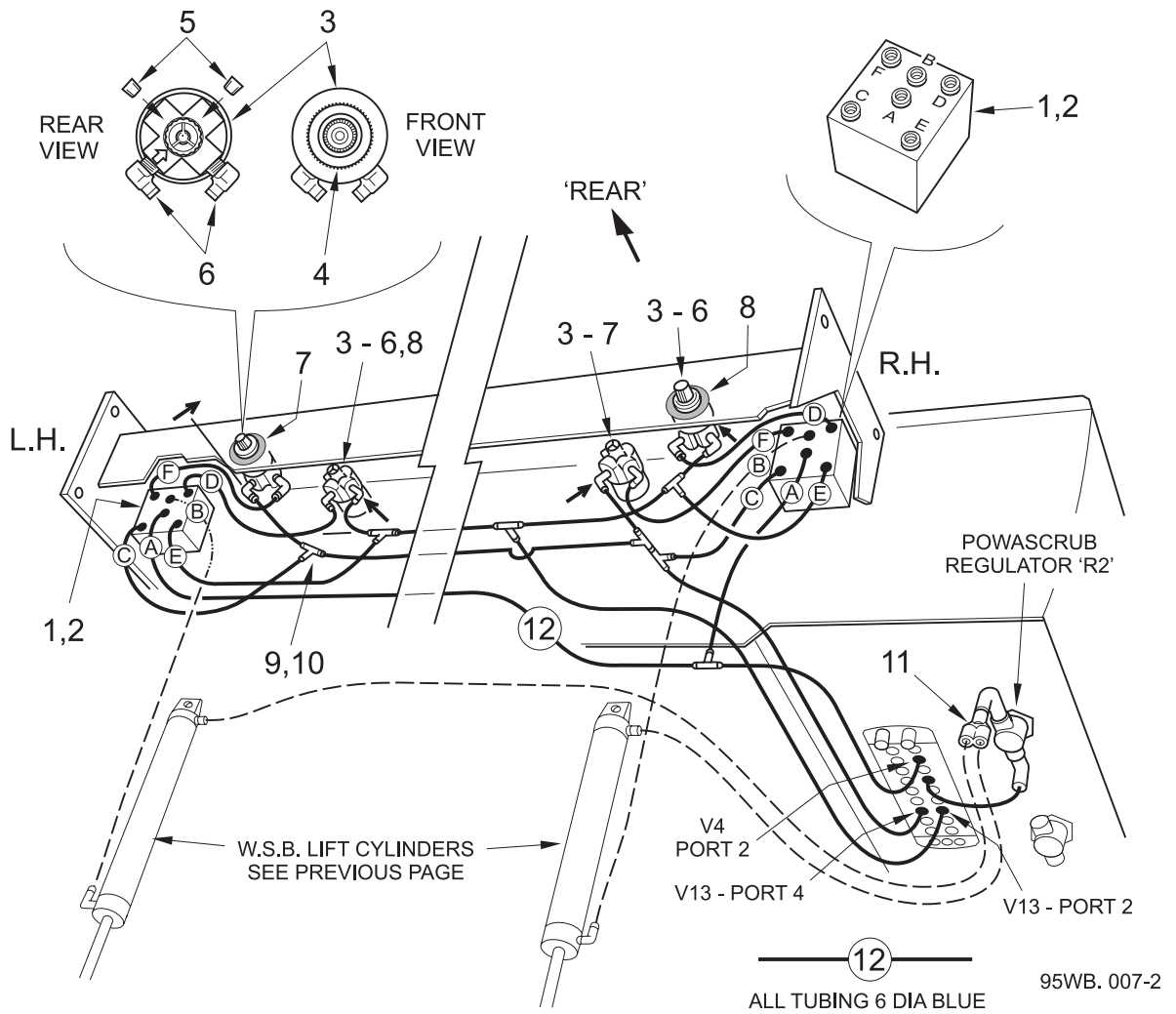
WSB Pneumatics - Suspension Regulation, Single Sweep



BoM 950713

Item No.	Part No.	Description	Quantity
1	253-9	Regulator	2
2	410-86	Panel Nut	2
3	9756	Plug R1/4"	4
4	552-8	Elbow R1/4" x Ø6	4
5	554-3	Tee Ø6	2
6	549-3	Stem Connector Ø6	2
7	537-8	Straight Adaptor R1/4" x Ø6	2
8	41211-1	Quick Exhaust Valve	2
9	266-2	Adaptor G1/4" x R1/4"	2
	451-17	Washing - Sealing	2
10	273-20	Tubing Ø6 Blue	1.16m
11	273-21	Tubing Ø6 Red	0.95m
12	273-20	Tubing Ø6 Blue	0.62m
13	273-21	Tubing Ø6 Red	0.74m
14	559-6	'Y' Connector Ø6	1

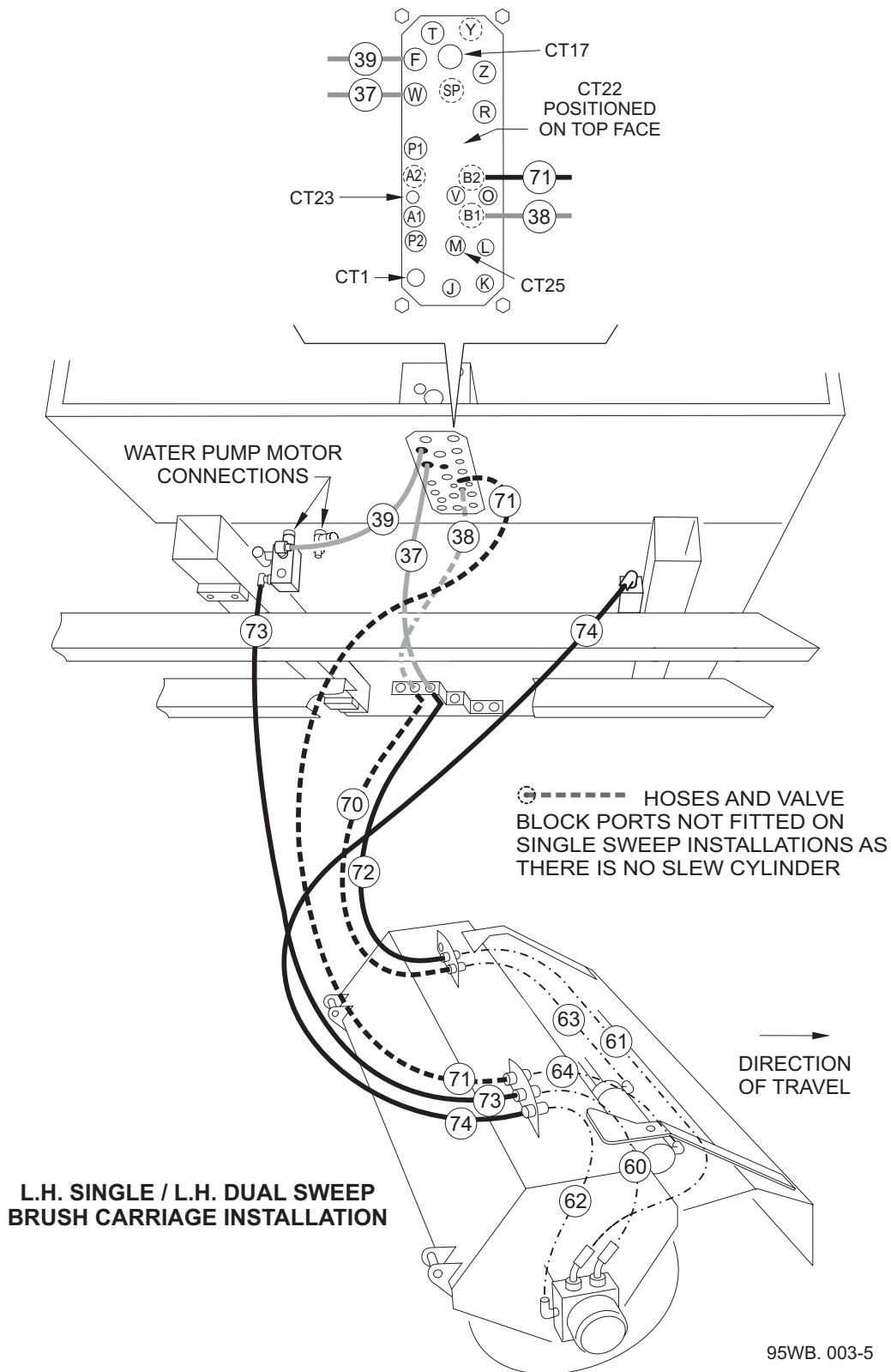
WSB Pneumatics - Suspension Regulation, Dual Sweep



BoM 950713

Item No.	Part No.	Description	Quantity
1	200577	Shuttle/Exhaust Valve Block	2
2	124-102	Screw M6 x 16	4
	460-8	Washer - Spring M6	4
3	253-9	Regulator	4
4	410-86	Panel Nut	4
5	9756	Plug R1/4"	8
6	552-8	Elbow R1/4" x Ø6	8
7	282855-2	Red Disc	2
8	282855-1	Green Disc	2
9	554-3	Tee Ø6	4
10	549-3	Stem Connector Ø6	4
11	559-6	'Y' Connector Ø6	1
12	273-20	Tubing Ø6 Blue x 1 Reel	1

WSB Installation - Hydraulic Hoses



WSB Installation - Hydraulic Hoses

Subframe Configuration BoM 950713, 940713

Item No.	Part No.	Description	Quantity
37	HC08001-155	Hydraulic Hose - Single and Dual Sweep	1
38	HC04001-144	Hydraulic Hose - Dual Sweep Only	1
39	HC08001-49	Hydraulic Hose - Single and Dual Sweep	1

Carriage Assembly BoM 951011

60	HC08001-73	Hydraulic Hose - Single and Dual Sweep	1
61	HC08001-160	Hydraulic Hose - Single and Dual Sweep	1
62	HC04002-87	Hydraulic Hose - Single and Dual Sweep	1

WSB Slew - BoM 951012

63	HC04003-95	Hydraulic Hose - Dual Sweep Only	1
64	HC04003-36	Hydraulic Hose - Dual Sweep Only	1

WSB Installation BoM 951020

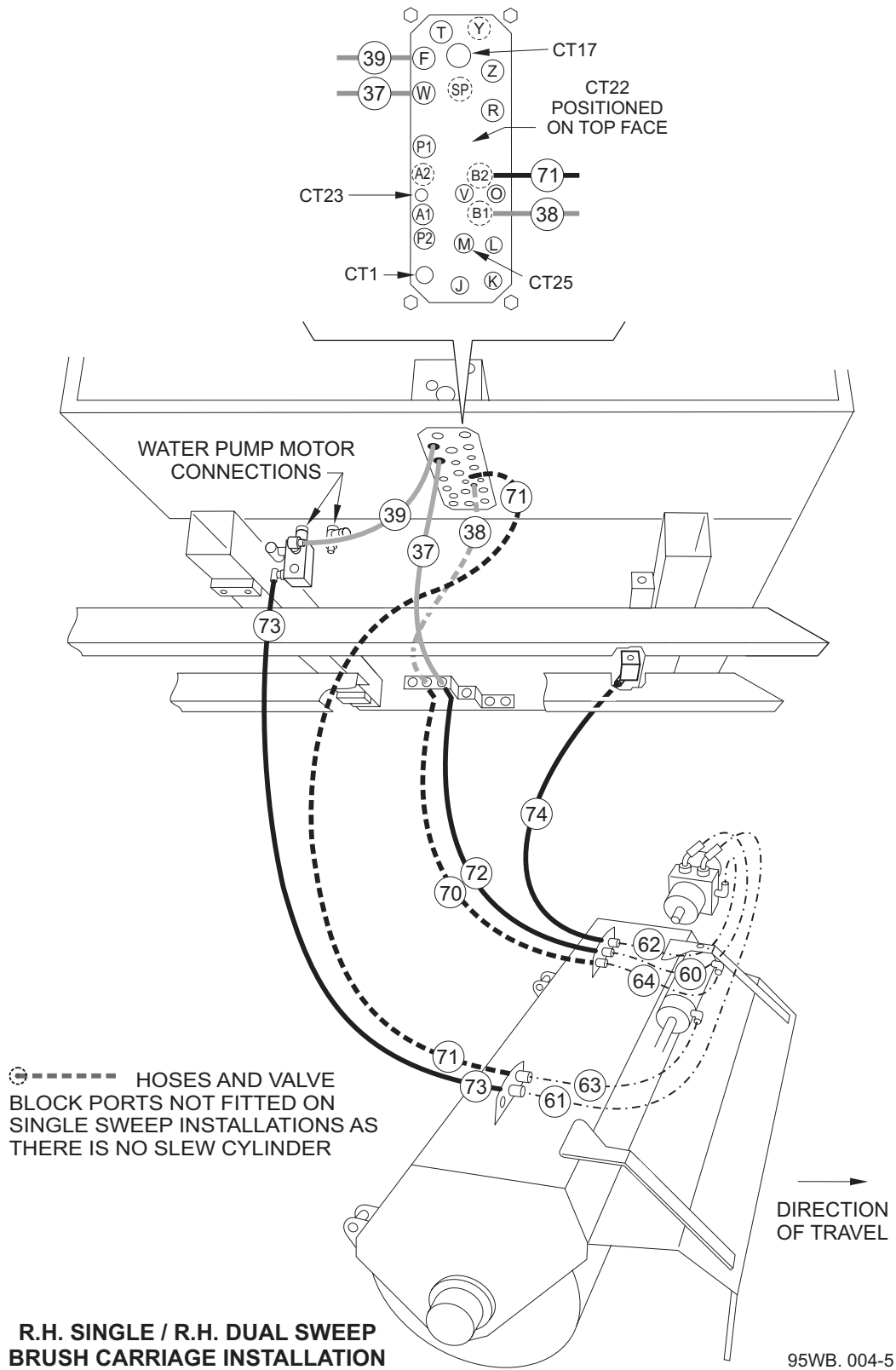
			Chassis Height
70 †	HC04002-95	Hydraulic Hose - Dual Sweep Only	0.8 to 0.99m
	HC04002-115	Hydraulic Hose - Dual Sweep Only	0.9 to 0.99m
	HC04002-115	Hydraulic Hose - Dual Sweep Only	1.0 to 1.099m
71 †	HC04001-128	Hydraulic Hose - Dual Sweep Only	0.8 to 0.99m
	HC04001-148	Hydraulic Hose - Dual Sweep Only	0.9 to 0.99m
	HC04001-148	Hydraulic Hose - Dual Sweep Only	1.0 to 1.099m
72 †	HC08002-105	Hydraulic Hose - Single and Dual Sweep	0.9 to 0.99m
	HC08002-115	Hydraulic Hose - Single and Dual Sweep	1.0 to 1.099m
73 †	HC08002-95	Hydraulic Hose - Single and Dual Sweep	0.9 to 0.99m
	HC08002-115	Hydraulic Hose - Single and Dual Sweep	1.0 to 1.099m
74 †	HC04002-136	Hydraulic Hose - Dual Sweep Only	0.9 to 0.99m
	HC04002-146	Hydraulic Hose - Dual Sweep Only	1.0 to 1.099m
	HC04002-196	Hydraulic Hose - Single Sweep Only	0.9 to 0.99m
	HC04002-206	Hydraulic Hose - Single Sweep Only	1.0 to 1.099m

Notes

Item numbers correspond to those on Diagram SH522z01 in Maintenance Section, Chapter 8.

† Hoses 70 to 74 see Chapter 33 - Chassis Related Parts.

WSB Installation - Hydraulic Hoses



WSB Installation - Hydraulic Hoses

Subframe Configuration BoM 950713, 940713

Item No.	Part No.	Description	Quantity
37	HC08001-155	Hydraulic Hose - Single and Dual Sweep	1
38	HC04001-144	Hydraulic Hose - Dual Sweep Only	1
39	HC08001-49	Hydraulic Hose - Single and Dual Sweep	1

Carriage Assembly BoM 951011

60	HC08001-73	Hydraulic Hose - Single and Dual Sweep	1
61	HC08001-160	Hydraulic Hose - Single and Dual Sweep	1
62	HC04002-87	Hydraulic Hose - Single and Dual Sweep	1

WSB Slew - BoM 951012

63	HC04003-95	Hydraulic Hose - Dual Sweep Only	1
64	HC04003-36	Hydraulic Hose - Dual Sweep Only	1

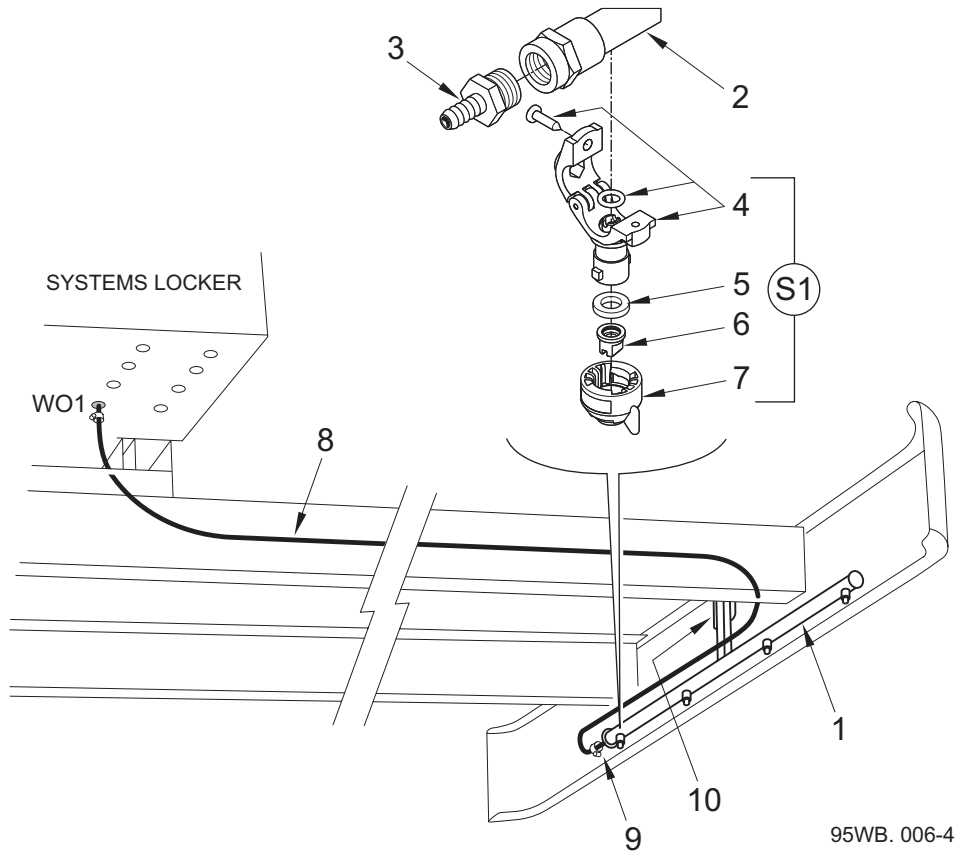
WSB Installation BoM 951020

			Chassis Height
70 †	HC04002-95	Hydraulic Hose - Dual Sweep Only	0.8 to 0.99m
	HC04002-115	Hydraulic Hose - Dual Sweep Only	0.9 to 0.99m
	HC04002-115	Hydraulic Hose - Dual Sweep Only	1.0 to 1.099m
71 †	HC04001-128	Hydraulic Hose - Dual Sweep Only	0.8 to 0.99m
	HC04001-148	Hydraulic Hose - Dual Sweep Only	0.9 to 0.99m
	HC04001-148	Hydraulic Hose - Dual Sweep Only	1.0 to 1.099m
72 †	HC08002-105	Hydraulic Hose - Single and Dual Sweep	0.9 to 0.99m
	HC08002-115	Hydraulic Hose - Single and Dual Sweep	1.0 to 1.099m
73 †	HC08002-95	Hydraulic Hose - Single and Dual Sweep	0.9 to 0.99m
	HC08002-115	Hydraulic Hose - Single and Dual Sweep	1.0 to 1.099m
74 †	HC04002-136	Hydraulic Hose - Dual Sweep Only	0.9 to 0.99m
	HC04002-146	Hydraulic Hose - Dual Sweep Only	1.0 to 1.099m
	HC04002-196	Hydraulic Hose - Single Sweep Only	0.9 to 0.99m
	HC04002-206	Hydraulic Hose - Single Sweep Only	1.0 to 1.099m

Notes

Item numbers correspond to those on Diagram SH522z01 in Maintenance Section, Chapter 8.

† Hoses 70 to 74 see Chapter 33 - Chassis Related Parts.

WSB Installation - Low Pressure Water Spray Bar

BoM 951020

Item No.	Part No.	Description	Quantity
1	282236-1	Spray Bar Assembly, comprising items 2 to 7:-	1
2	21-334	Spraybar	1
3	21-335	Hosetail	1
4	21-60	Nozzle Holder	1
5	21-64	Seal	1
6	21-66	Fan Tip - Red	1
7	21-63	Bayonet Cap	1
8	39444	Hose	5m
9	501-1	Hose Clip	2
10	-	Spray Bar Mounting - varies with chassis (Contact the Johnston Parts Department for further information)	

Spares Items

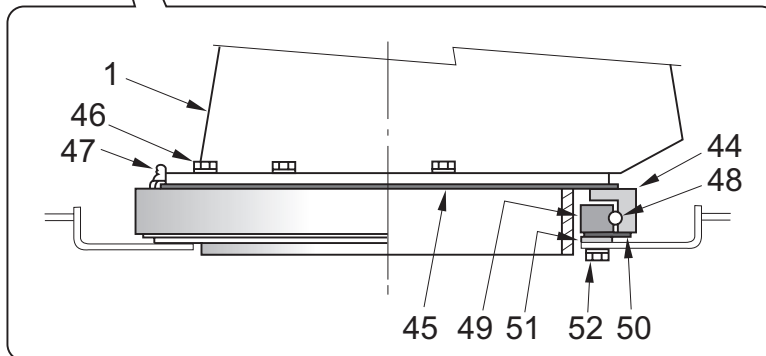
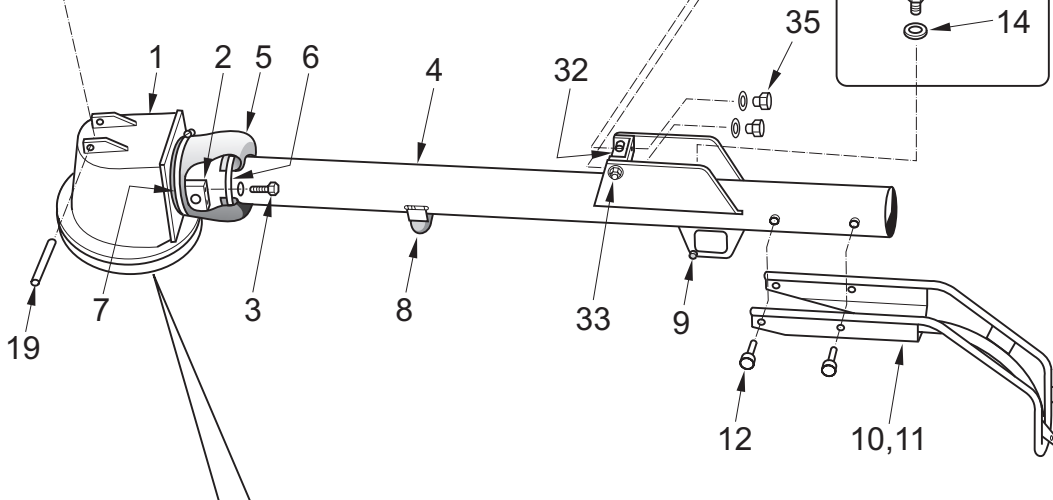
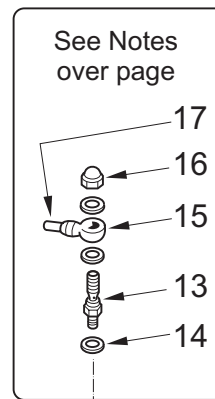
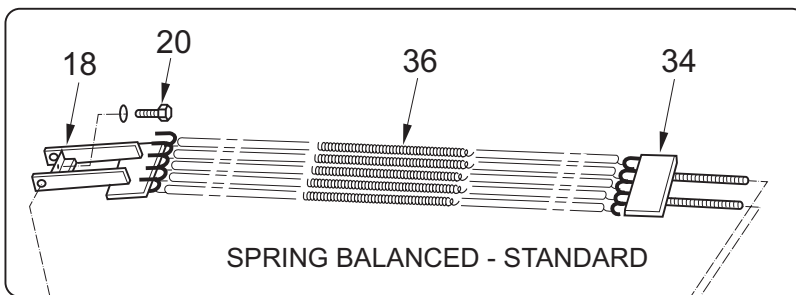
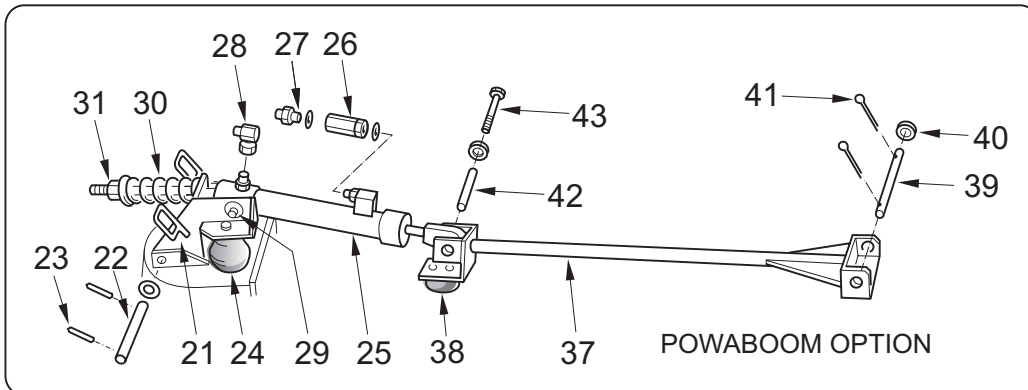
S1	282236-2	Spray Bar Kit comprising items 4 to 7
----	----------	---------------------------------------

CHAPTER

27**Wanderhose/Littasnatch****Table of Contents**

Section	Page
Top Mounted Wanderhose	
Wanderhose Assembly	27 : 2
Stowage and Trunkings	27 : 6
Extension Hose Stowage Trays	27 : 10
Options	
Powaboom Controls - Installation	27 : 12
Powaboom - Hydraulic Hoses	27 : 14
Powaboom - Looms	27 : 15
Littasnatch	27 : 16
Wanderhose and Littasnatch Water Hose Installation	27 : 19
Littasnatch Controls	27 : 20
Mesh Shaker	27 : 22
Littasnatch Combined Mesh Shaker Controls	27 : 24
Mounting Frame	
Options Frame	27 : 26

Top Mounted Wanderhoses



95WH. 001-4

Top Mounted Wanderhoses

Wanderhose Assembly - BoM 941311, 951311, 961311

Item No.	Part No.	Description	Quantity		
			150 Dia.	200 Dia.	
1	41803-1	Turret	1	1	
2	41833-1	Pivot Block	2	-	
	40728-1	Pivot Block	-	2	
3	123-131	Bolt M10 x 55	4	4	
	460-11	Washer M10	4	4	
4	294085-1	Boom x 150 Dia. - V 500 Only	1	-	
	294086-1	Boom x 200 Dia. - V 500 Only	-	1	
	281255-1	Boom x 150 Dia. - V 605, 650, 800 Only	1	-	
	281089-1	Boom x 200 Dia. - V 605, 650, 800 Only	-	1	
5	40780-1	Flexible Joint	1	1	
6	504-51	Hose Clip	1	-	
	504-52	Hose Clip	-	1	
7	504-55	Hose Clip	1	1	
8	39382	Rubber Stop	1	1	
	129-65	Screw M5 x 20	2	2	
	455-7	Washer M5	2	2	
	425-12	Nut M5	2	2	
9	290-28	Bump Stop	1	1	
	124-36	Screw M4 x 12	1	1	
	460-5	Washer - Spring	1	1	
10	282470-1	Jib	1	-	
11	282545-1	Jib	-	1	
12	124-199	Screw M12 x 20	4	4	
	460-12	Washer M12	4	4	
>	13	40755-2	Water Jet	1	1
	14	453-1	Fibre Washer	3	3
	15	26997-1	Banjo	1	1
	16	418-12	Domed Nut M12	1	1
	17	46382-3	Hose Adaptor	1	1
	18	40746-1	Claw	1	-
		41814-1	Claw	-	1
	19	40420-1	Pin	1	1
	20	124-137	Screw M8 x 25	1	1
		460-10	Washer M8	1	1
	21	62367-1	Anchor	1	1
	22	41374-1	Pin	1	1
		455-14	Washer Ø16	2	2
	23	59-10	Cotter Pin	2	2
	24	290-3	Rubber Spring	2	2
		124-207	Screw M12 x 40	2	2
		425-16	Nut M12	2	2

Top Mounted Wanderhoses
Wanderhose Assembly - BoM 951310 - Continued

Item No.	Part No.	Description	Quantity	
			150 Dia.	200 Dia.
> 25	29170-20	Hydraulic Cylinder - See Chapter 28	1	1
	26	29301-1	Flow Control Valve	1
27	451-17	Washer - Sealing 1/4	1	1
	263-2	1/4" Adaptor	1	1
28	451-17	Washer - Sealing 1/4	1	1
	262-2	1/4" Elbow Adaptor	1	1
29	62365-1	Pivot Pin	1	1
	455-16	Washer Ø20	2	2
	500-106	Split Pin	2	2
30	62366-1	Fork	1	1
	13501	Spring	1	1
31	44031-1	Locater	1	1
	425-7	Nut M20F	1	1
32	62952-1	Pivot	1	-
	49051-1	Pivot	-	1
33	49053-1	Pivot Pin	2	-
	49052-1	Pivot Pin	-	2
	455-14	Washer Ø16	2	2
	425-18	Nut M16	2	-
34	40746-2	Claw	1	-
	41814-2	Claw	-	1
35	41836-1	Nut - Special M16	2	2
	455-16	Washer Ø20	2	2
36	40691-1	Spring	5	6
37	62953-1	Extension Tube	1	-
	62608-1	Extension Tube	-	1
38	39382	Rubber Stop	1	1
	124-27	Screw M5 x 20	2	2
	455-7	Washer Ø5	2	2
	425-12	Nut M5	2	2
39	62254-2	Pin	1	-
	62254-1	Pin	-	1
40	455-16	Washer Ø20	2	2
41	500-106	Split Pin	2	2
42	40377-4	Bush	1	1
	124-182	Screw M10 x 75	1	1
	457-5	Washer Ø10	2	2
43	425-15	Nut M10	1	1

Top Mounted Wanderhoses

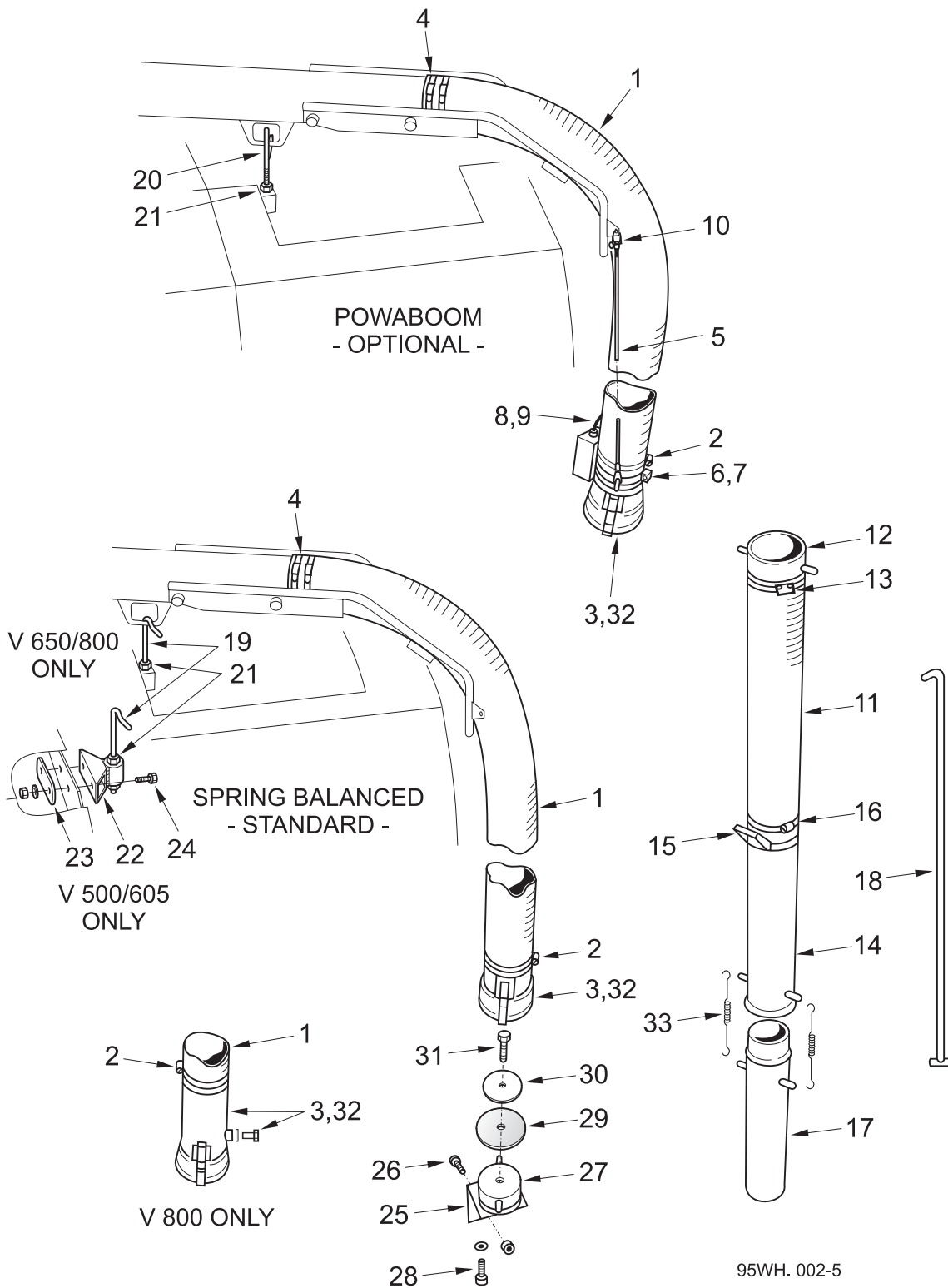
Turret Turntable - BoM 951322

Item No.	Part No.	Description	Quantity
44	40722-1	Outer Race	1
45	5955-1	Seal - Cork	1
46	124-167	Screw M10 x 20	6
	460-11	Washer Ø10	6
47	38-3	Grease Nipple	1
48	22-8	Steel Ball	105
49	40721-1	Inner Race	1
50	40723-1	Seal Plate - Nylon	1
51	5955-1	Seal - Cork	1
52	124-169	Screw M10 x 25	8
	460-11	Washer Ø10	8

Notes

For Lo-Level Water Injection see Chapter 35 Optional Equipment - Sweep Gear 'SG'.

Wanderhoses - Stowage and Trunkings

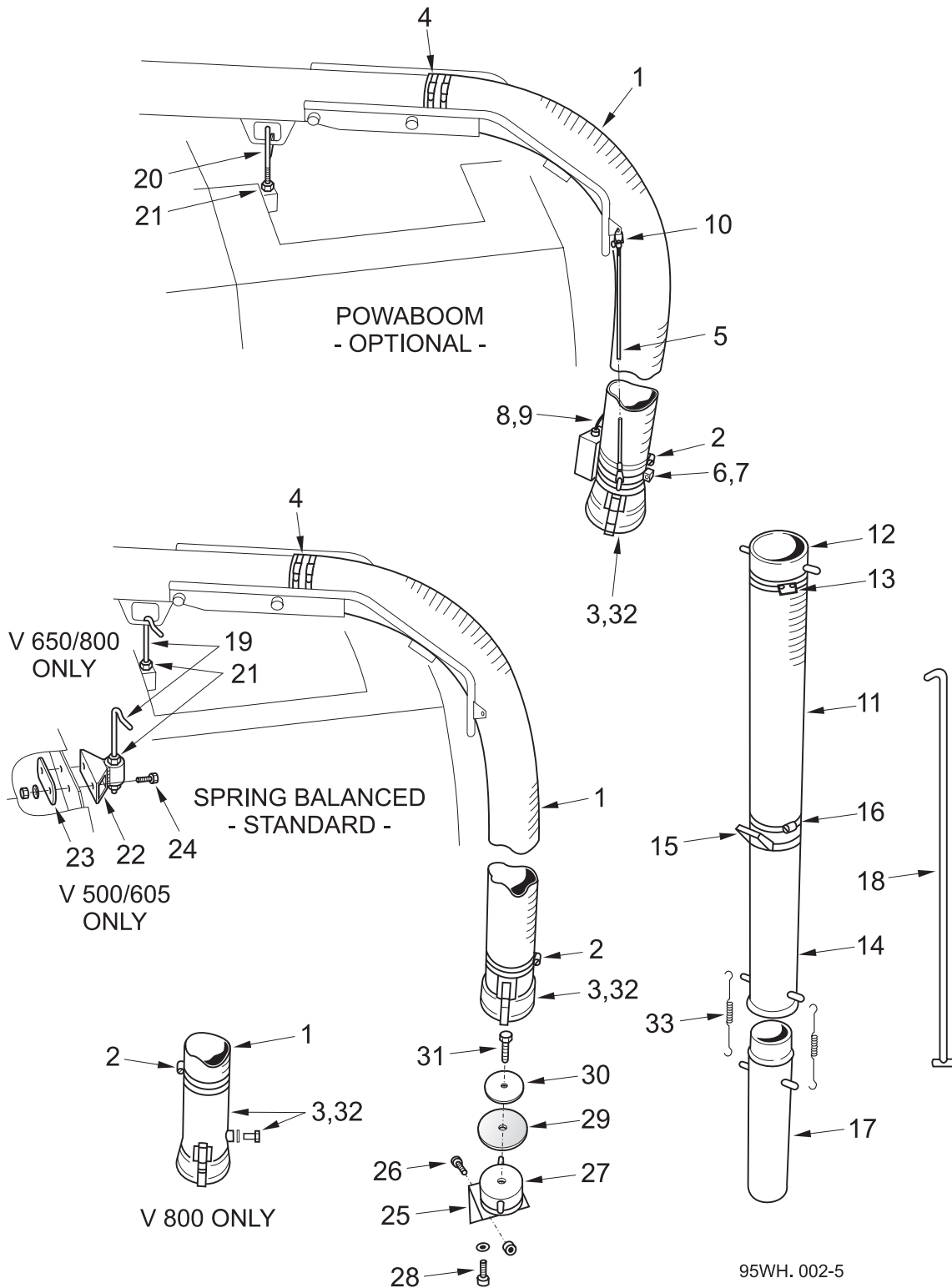


Wanderhoses - Stowage and Trunkings

Dressing - BoM 951330 and 961330

Item No.	Part No.	Description	Quantity	
			Ø150	Ø200
	282897-1	Trunking Assembly Ø150 - V 605,650)	1	-
	282897-2	Trunking Assembly Ø200 - V 605,650)	-	1
	282900-1	Trunking Assembly Ø150 - V 800 only)	1	-
	282900-2	Trunking Assembly Ø200 - V 800 only)	-	1
1	6004-1	Trunking Ø150	1	-
	15916-1	Trunking Ø200	-	1
2	504-51	Hose Clip	2	-
	503-52	Hose Clip	-	2
3	6003-1	Coupling Ø150 - V 605,650	1	-
	6003-8	Coupling Ø200 - V 605,650	-	1
	61045-2	Coupling Ø150)	1	-
	61045-1	Coupling Ø200)	-	1
	124-201	Setscrew M12c x 25) V 800 only	1	1
	453-1	Fibre Washer)	1	1
4	504-51	Hose Clip	1	-
	504-52	Hose Clip	-	1
Powaboom Additions - Items 5 to 10:				
5	21216-8	Lift Cable	2	2
6	282637-1	Cable Support	1	-
	282638-1	Cable Support	-	1
7	123-114	Bolt M8 x 70	1	1
	425-14	Nut M8	1	1
8	-	Control Loom) Covered elsewhere		
9	-	Extension Loom) in this Chapter		
10	6032-1	'D' Shackle		
11	6005-1	Trunking	1	-
	15917-1	Trunking	-	1
12	5996-1	Coupling	1	-
	5996-4	Coupling	-	1
13	504-51	Hose Clip	1	-
	504-52	Hose Clip	-	1
14	6027-1	Hose End Fitting	1	-
	15899-1	Hose End Fitting	-	1
15	6212-1	Handle	1	-
	15920-1	Handle	-	1
16	504-51	Hose Clip	1	-
	504-52	Hose Clip	-	1
17	282893-1	Extension x 1250 long - Includes Clips item 33	1	-
	282890-3	Extension x 1250 long - Includes Clips item 33	-	1

Wanderhoses - Stowage and Trunkings



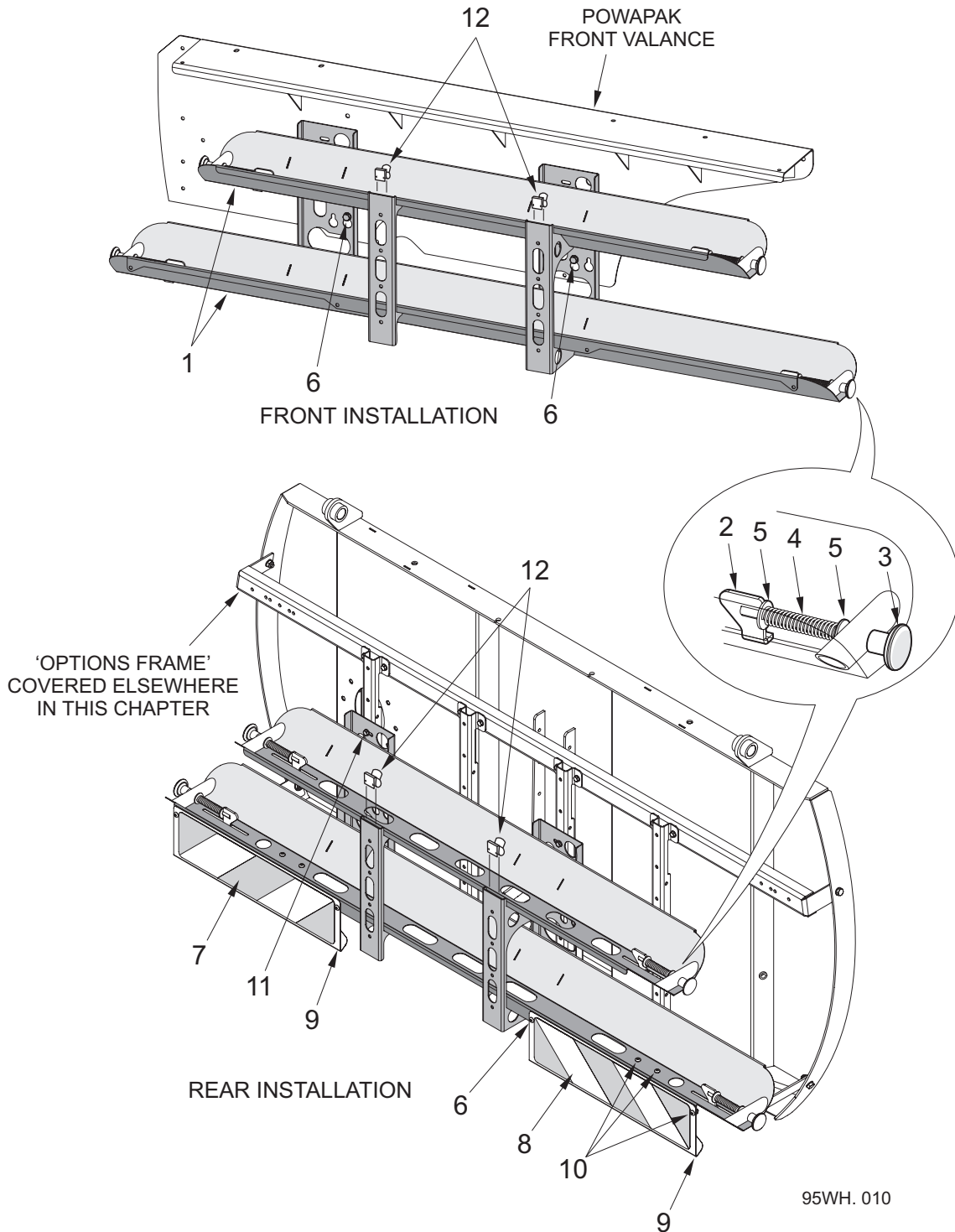
Wanderhoses - Stowage and Trunkings

Stowage - BoM 951321 and 961321

Item No.	Part No.	Description	Quantity	
			Ø150	Ø200
18	40781-1	Grab - Spring Balanced Only	1	1
19	40207-1	Hook	1	1
20	294120-1	Boom Support - Powaboom only	1	1
21	420-18	Nut M16	2	2
22	283506-1	Stand-off)	1	1
23	282738	Plate)	1	1
24	124-137	Screw M8 x 25) V 500, 605 only	2	2
	455-10	Washer - Plain)	2	2
	425-14	Nut - Nyloc M8)	2	2
25	42463-1	Anchor Bracket - V 605, 650	1	1
	61044-1	Anchor Bracket - V 800 only	1	1
26	135-57	Screw M8 x 20	2	2
	460-10	Washer	2	2
	420-14	Nut M8	2	2
27	42462-1	Anchor	1	-
	42738-1	Anchor	-	1
28	124-167	Screw M10 x 20	2	2
	460-11	Washer	2	2
29	5688-1	Rubber Disc	1	-
	5688-2	Rubber Disc	-	1
30	6043-1	Retaining Plate	1	1
31	124-135	Screw M8 x 20	1	1
	455-10	Washer - Plain	1	1
	425-14	Nut - Nyloc M8	1	1
Spare Parts Items				
32		Coupling Assemblies Item 3 comprising:		
	5992-1	Sleeve Ø150 - V 605, 650	1	-
	15895-1	Sleeve Ø200 - V 605, 650	-	1
	61063-1	Sleeve Ø150 - V 800 only	1	-
	61046	Sleeve Ø200 - V 800 only	-	1
	5999-1	Catch	2	2
	58-6	Pin	2	2
	6002-1	Spring	2	2
	193-8	Screw Pan Head	6	6
33	6216-1	Spring Clip	2	2

Extension Hose Stowage Trays

Standard on V 500 and 800 machines, optional on 605/650 machines
(500 and 800 bodies have no side lockers)



95WH. 010

Extension Hose Stowage Trays

BoM KT 05795

Item No.	Part No.	Description	Quantity	
			Front	Rear
	282867-1	Front Installation	✓	-
	281995-1	Rear Installation	-	✓
1	282698-1	Hose Tray Assembly	1	1
2	282879-1	Plunger	4	4
> 3	23-21	Knob	4	4
4	285-27	Spring	4	4
5	457-5	Washer - Large	8	8
* 6	124-169	Screw M10 x 25	6	-
	455-10	Washer - Plain	6	-
+ 7	20674-1	L.H. Reflective Marker	-	1
+ 8	20674-2	R.H. Reflective Marker	-	1
+ 9	282704-1	Marker Mounting Bracket	-	2
+ 10	138-123	Screw - Socket Hd. Button M8 x 20	-	8
	455-10	Washer - Plain	-	8
	425-14	Nut - Nyloc M8	-	8
11	124-137	Bolt M8 x 25	-	6
	455-10	Washer - Plain	-	6
	425-14	Nut - Nyloc M8	-	6
† 12	52-7	Cable / Pipe Clip	2	2

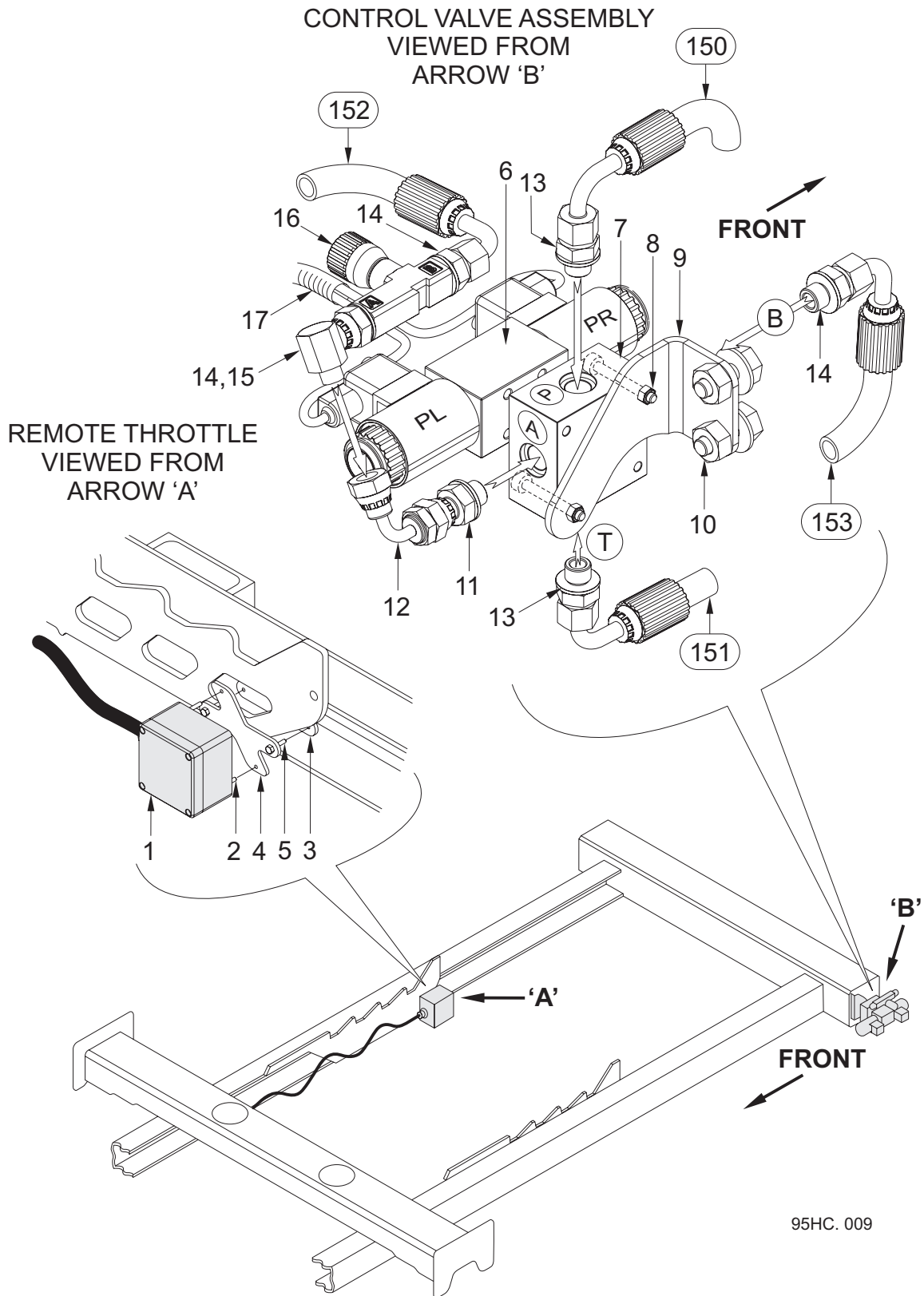
Notes

* Item 6 - These are the existing screws and washers used to fix the front valance to the Powapak cradles.

+ Items 7 to 10 are only required on UK spec. machines.

† Item 12 Pipe Clips required for stowing the grab hook on V500 and 800 machines with no body lockers.

Powaboom Controls - Installation



95HC. 009

Powaboom Controls - Installation

BoM KT 07595

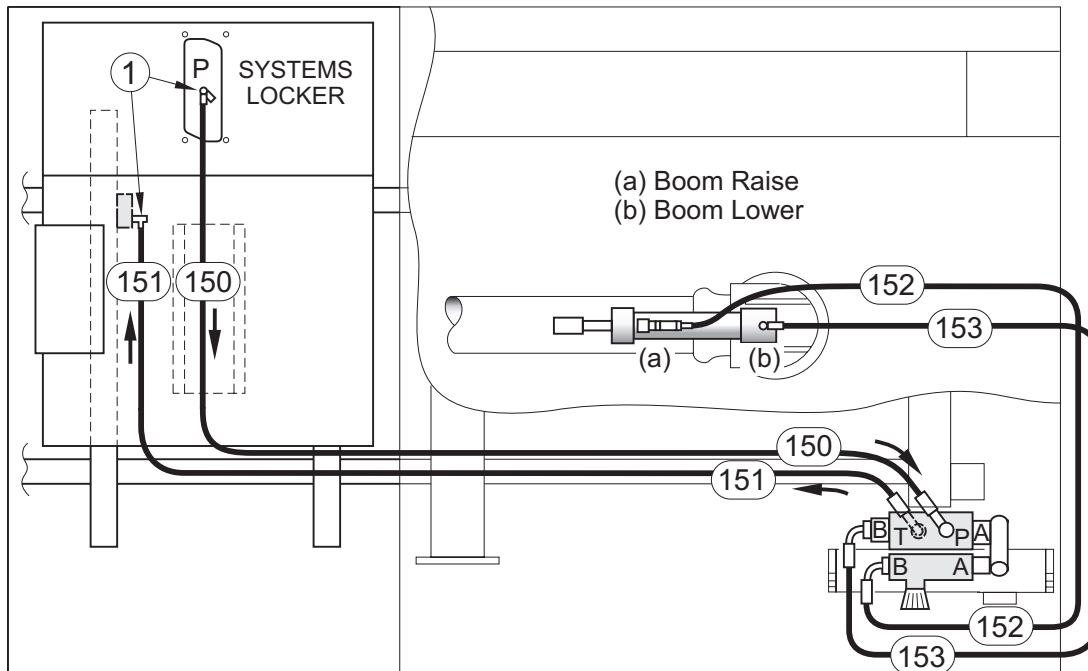
Item No.	Part No.	Description	Quantity
	282055-1	Powaboom Control 12v	
	282055-2	Powaboom Control 24v	
		Throttle Installation Items 1to 5:	
1	-	Throttle Loom - See Item 17	1
2	129-36	Screw - Socket Head M4 x 20	2
	425-11	Nut - Nyloc M4	2
3	282056-1	Throttle Mount Plate Clamp	1
4	282057-1	Throttle Mount Plate	1
5	124-71	Bolt M5 x 20	2
	425-12	Nut - Nyloc M5	2
		Control and Lock Valves Installation Items 6 to 16:	
6	78352-5	Solenoid Valve 12v	1
	78352-25	Solenoid Valve 24v	1
7	201098-1	Solenoid Base	1
8	129-71	Screw - Socket Head M5 x 35	2
	425-12	Nut - Nyloc M5	2
9	282533-1	Mounting Bracket	1
10	123-104	Screw M8 x 30	2
	455-10	Washer Ø8	2
	425-14	Nut - Nyloc M8	2
11	267-2	1/4" Swivel Adaptor	1
	451-17	Washer - Sealing 1/4"	1
12	262-2	1/4" Adaptor 90°	1
13	263-2	1/4" Adaptor	2
	451-17	Washer - Sealing 1/4"	2
14	263-2	1/4" Adaptor	3
	451-17	Washer - Sealing 1/4"	3
15	242-2	1/4" Swivel Elbow	1
16	241-150	Regulator	1
17	-	Looms - See over page	
150 to 153		Hoses - See over page	

Notes

* Hose item numbers correspond with those in hydraulic diagram SH527z01 in Chapter 8.

Powaboom - Hydraulic Hoses

. Drg 282055



95HC. 010

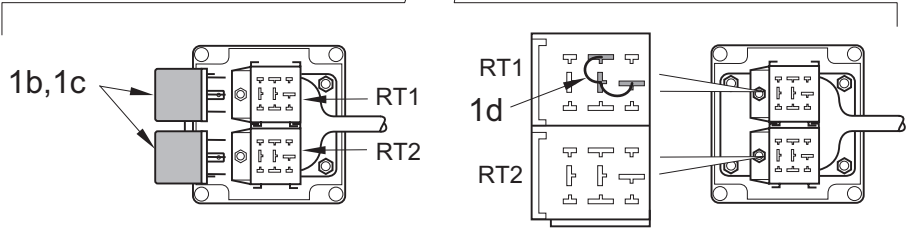
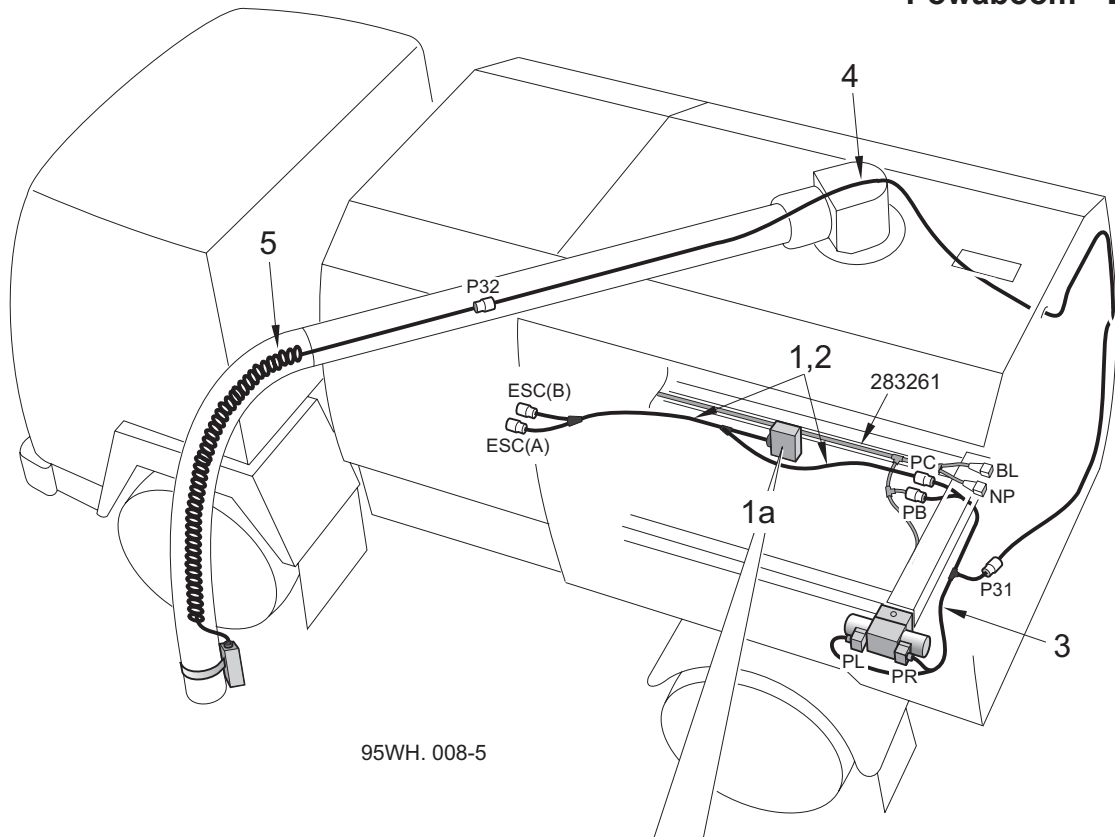
KT07595

Item No.	Part No.	Description	Quantity
1	255-30	Swivel Tee	2
150	HC04002-430	Hydraulic Hose 1/4"	1
151	HC04002-324	Hydraulic Hose 1/4"	1
152	HC04002-730	Hydraulic Hose 1/4"	1
153	HC04002-600	Hydraulic Hose 1/4"	1

Notes

Hose item numbers correspond with those in hydraulic diagram SH527z01 in Chapter 8

Powaboom - Looms



Iveco 'SP' and 'HP' and John Deere 'SP' engines. For John Deere 'HP' engine see item 2.

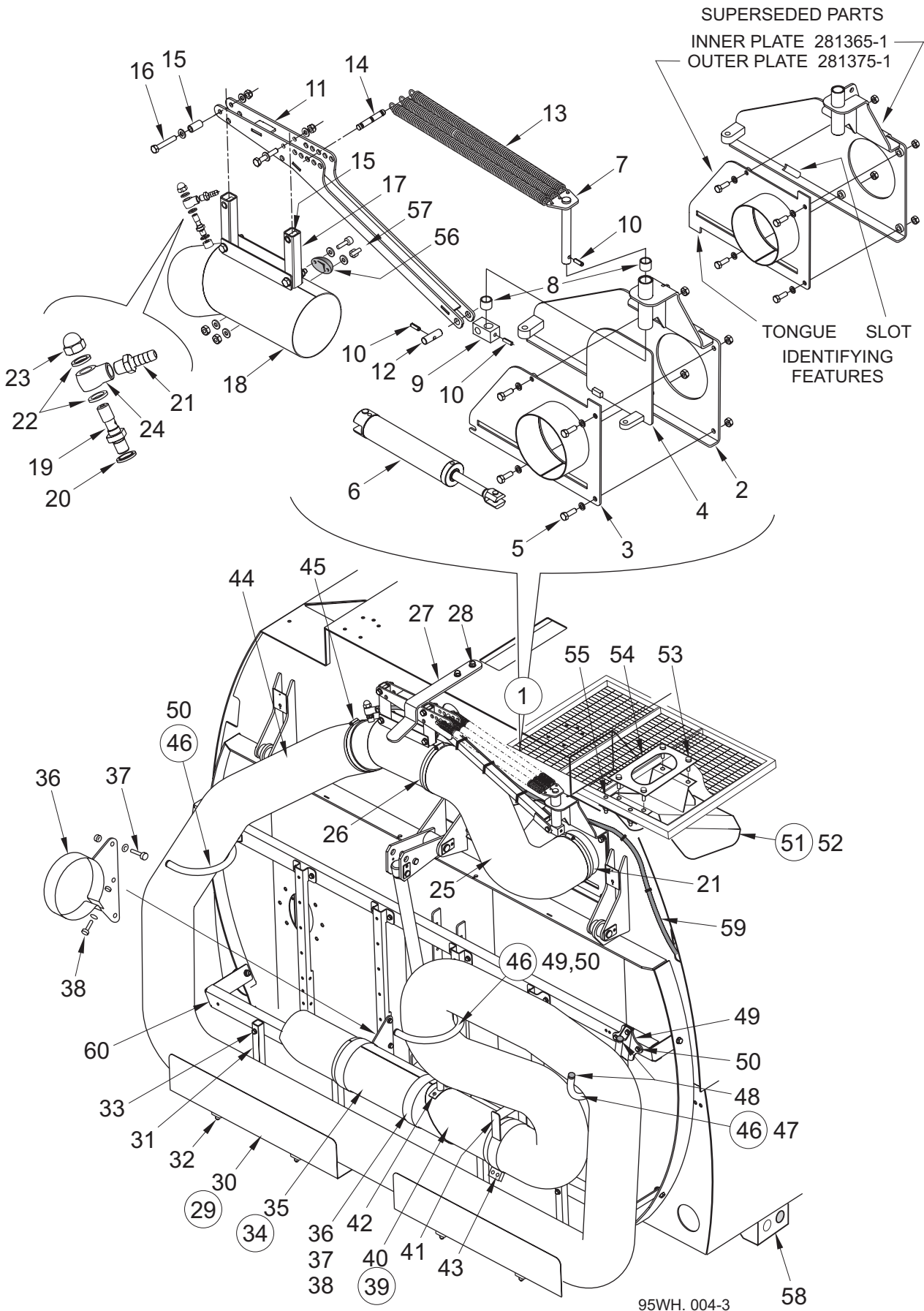
VT 12v Loom Assembly 282140-1 comprising items 1 and 1b
VT 24v Loom Assembly 282140-2 comprising items 1 and 1c

VS Loom Assembly 282140-3 comprising items 1 and 1d

KT07595

Item No.	Part No.	Description	Quantity
1	282060-1	Remote Throttle Loom (Includes Relay Box 1a)	1
1a		Relay Box - requires the addition of components 1b,1c or 1d	
1b	13193	Relay 12v (28RA) - 12v VT only.	2
1c	13194	Relay 24v (28RA) - 24v VT only.	2
1d	282119-1	Shorting Link - VS only.	1
2	283140-1	Remote Throttle Loom - John Deere 'HP' engines	1
3	282062-1	Powaboom Loom	1
4	282063-1	Extension Loom	1
5	282061-1	Control Loom VT Series	1
	282061-2	Control Loom VS Series	1

Littasnatch



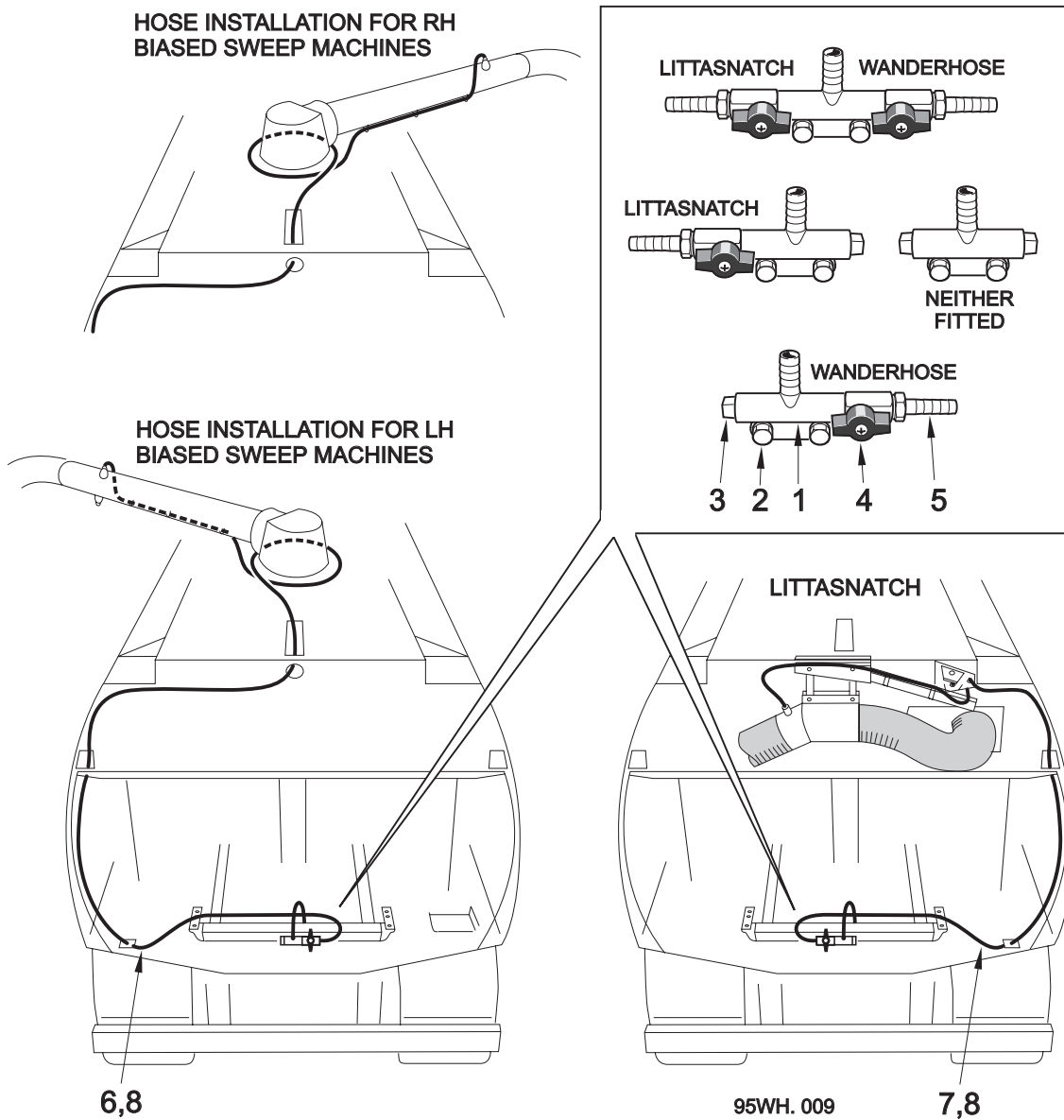
BoM KT04795

Item No.	Part No.	Description	Quantity
1	282476-1	Cassette Assembly comprising items 2 to 26	
> 2	284081-1	Inner Plate	1
> 3	284083-1	Outer Plate	1
4	281370-1	Gate	1
5	118-171	Screw M10 x 30 Stainless Steel	4
	458-10	Washer - Spring M10 Stainless Steel	4
	420-15	Nut M10	4
6	63449-1	Cylinder - See Chapter 29	1
7	60303-1	Pivot Pin	1
8	29128-1	Bush	2
9	60309-1	Universal Joint	1
10	59-8	Tension Pin	2
11	282990-1	Davit	1
12	60317-1	Pivot Pin	1
13	3637-1	Spring	3
14	60326-1	Location Pin	1
15	60734-1	Spacer	4
16	123-132	Bolt M10 x 60	4
	455-11	Washer - Plain M10	8
	425-15	Nut - Nyloc M10	4
17	60724-1	Link Tube - Suspension	2
18	283328-1	Tube - Hose Connection	1
> 19	40755-2	Water Jet M12	1
20	451-17	Washer - Sealing G1/4"	1
21	46382-3	Hose Adaptor	1
22	453-1	Fibre Washer	2
23	418-12	Domed Nut - M12 Stainless Steel	1
24	26997-1	Banjo	1
25	60744-1	Duct	1
26	504-51	Hose Clip	2
27	280821-1	Stowage Plate -VT650	1
	281101-1	Stowage Plate - VT800	1
28	118-169	Screw M10 x 25 Stainless Steel	2
	458-10	Washer - Spring M10 Stainless Steel	2
	454-10	Washer - Plain M10 Stainless Steel	2
29	282482-1	Trough Assembly comprising items 30 to 33	2
30	801928-1	Trough	1
31	281580-1	Post	2
32	138-123	Screw Button Head M8 x 20	4
	455-10	Washer - Plain M8	4
	425-14	Nut - Nyloc M8	4
33	123-110	Bolt M8 x 50	2
	455-10	Washer - Plain M8	2
	425-14	Nut - Nyloc M8	2

Littasnatch
BoM KT04795

Item No.	Part No.	Description	Quantity
34	282484-1	Holster Assembly comprising items 35 to 38	1
35	280560-1	Holster	1
36	282483-1	Support	2
37	124-137	Screw M8 x 25	6
	455-10	Washer - Plain M8	6
	425-14	Nut - Nyloc M8	6
38	123-82	Bolt M6 x 30	4
	455-8	Washer - Plain M6	4
	425-13	Nut - Nyloc M6	4
39	282448-2	Suction Tube Assembly comprising items 40 to 43	1
40	60739-2	Section Tube	1
41	60716-2	Handle	1
42	138-94	Screw Button Head M6 x 20	2
	457-2	Washer - Large M6	2
	425-13	Nut - Nyloc M6	2
43	124-105	Screw M6 x 25	2
	455-8	Washer - Plain M6	2
	425-13	Nut - Nyloc M6	2
44	60744-2	Duct	1
45	504-51	Hose Clip	1
46	282504-1	Hook Assembly comprising items 47 and 48	3
47	280563-1	Hook	1
48	220-65	Plastic Plug	2
49	281579	Star Plate	2
50	124-137	Screw M8 x 25	10
	455-10	Washer - Plain M8	20
	425-14	Nut - Nyloc M8	10
51	280423-1	Baffle Installation comprising items 52 and 53	
52	280360-1	Baffle	1
53	118-135	Screw M8 x 20	4
	454-10	Washer - Plain M8	8
	425-14	Nut - Nyloc M8	4
54	282881-1	Spreader Plate	1
55	127-137	Screw Csk. Head M8 x 25	2
	288-33	Round Insert	2
56	39382	Rubber Stop	1
57	129-65	Cap Hd Bolt M5 x 20	2
	455-7	Washer - Plain M5	4
	425-12	Nut - Nyloc M5	2
58	282523-3	Pneumatic Controls - Covered elsewhere in this chapter	
59	-	Water Hose - Covered elsewhere in this chapter	
60	-	Mounting Frame - Covered elsewhere in this chapter	

Wanderhose/Littasnatch - Water Hose Installation

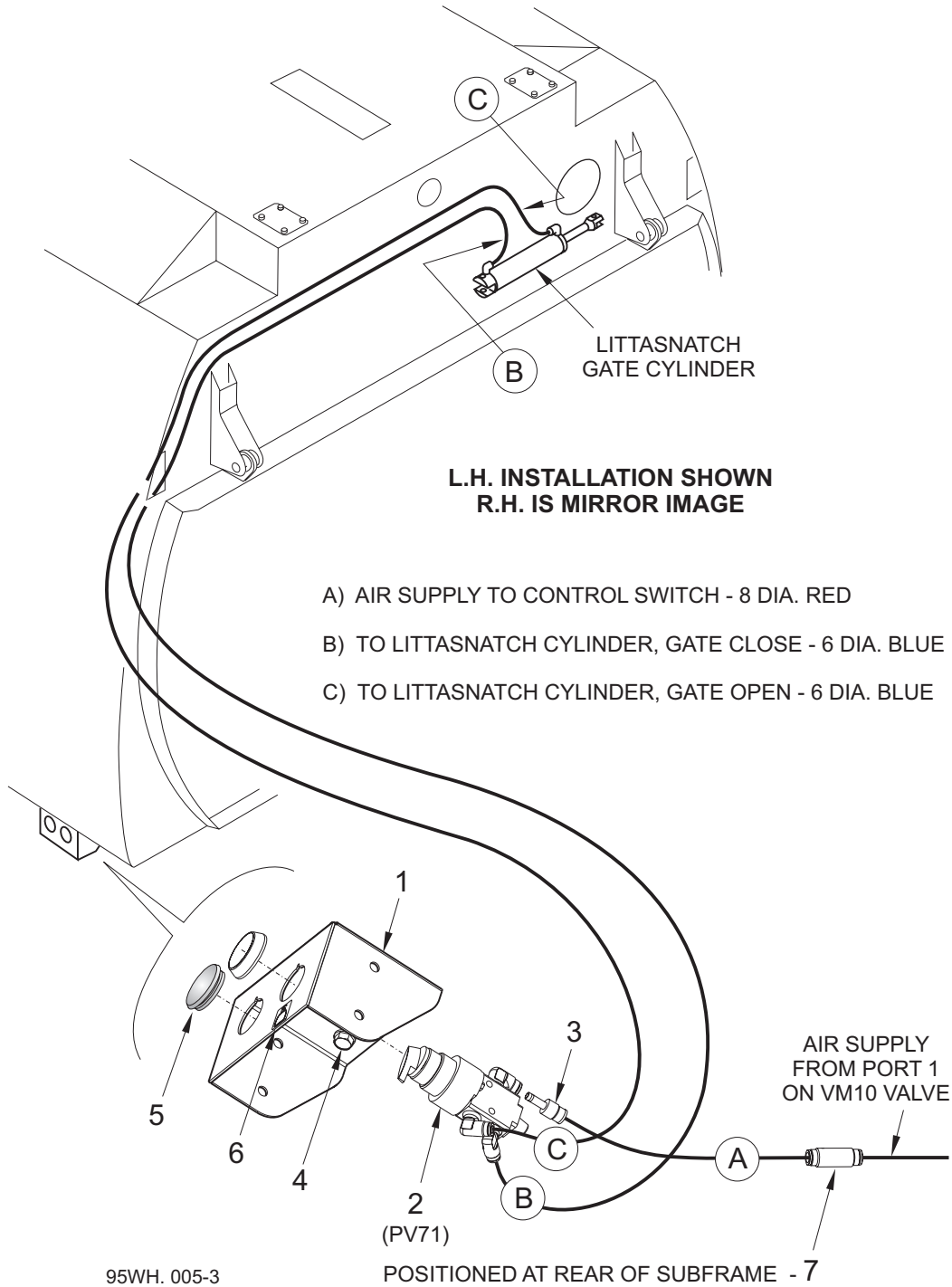


BoM 950714 - Subframe Services

Item No.	Part No.	Description	Quantity
1	281076-1	Manifold	1
2	124-134	Screw M8 x 16	2
	460-10	Washer - Spring Ø8	2
3	18892	Plug R3/8"	As Req'd

BoM 951330 - Wanderhose, KT04795 - Littasnatch

4	88-5	Ball Valve	As Req'd
5	41006-3	Adaptor - Hose Tail	As Req'd
6	39444	Hose Ø10 - Wanderhose	7m
7	39444	Hose Ø10 - Littasnatch	5m
8	501-1	Hose Clip	2



Littasnatch Controls

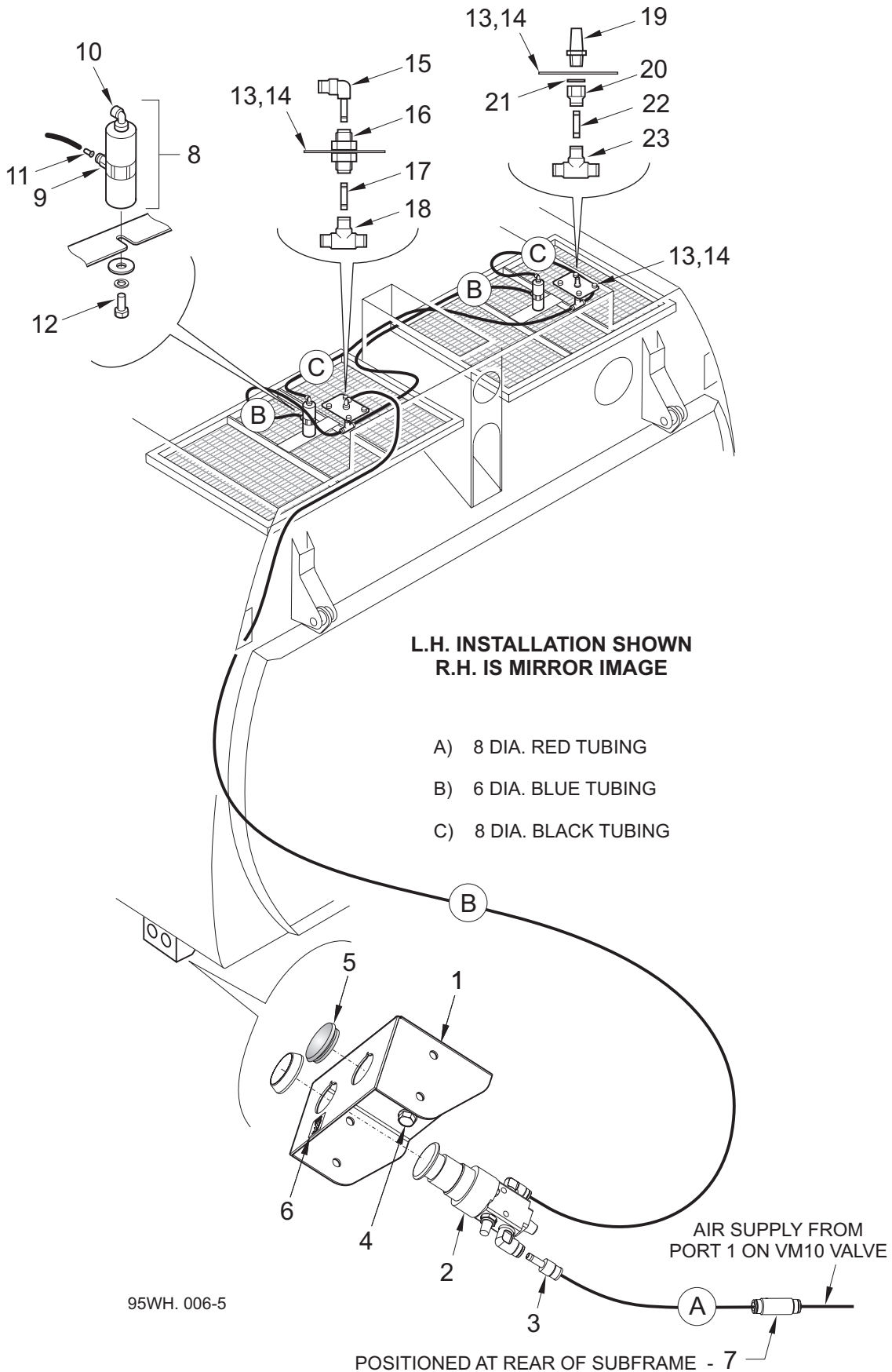
BoM KT03695

Item No.	Part No.	Description	Quantity
	282523-3	Pneumatic Controls comprising items:	
1	282522-1	Switch Box	1
2	72-50	Air Switch	1
3	548-20	Reducing Stem Ø8 x Ø6	1
4	124-135	Screw M8 x 20	2
	455-10	Washer - Plain M8	4
	425-14	Nut - Nyloc M8	2
5	288-28	Grommet	1
6	282458-1	Littasnatch Label No. 2.14 - See Chapter 34	1
7	547-4	Connector	1
Tubing			
A	273-23	Tube - Red Ø8	6.5m
B,C	273-20	Tube - Blue Ø6	20m

Notes

For Circuit Diagram see SP545a02 in Chapter 11 of the Maintenance Manual.

Mesh Shaker



Mesh Shaker

BoM KT03695

Item No.	Part No.	Description	Quantity
	282523-2	Pneumatic Controls comprising items 1 to 7 + A and B	
1	282522-1	Switch Box	1
2	72-51	Push Button	1
3	548-20	Reducing Stem Ø8 x Ø6	1
4	124-135	Screw M8 x 20	2
	455-10	Washer - Plain M8	4
	425-14	Nut - Nyloc M8	2
5	288-28	Grommet	1
6	282458-1	Mesh Shaker Label No. 2.13 - See Chapter 34	1
7	547-4	Connector	1
A	273-23	Tube - Red Ø8	6.5m
B	273-20	Tube - Blue Ø6	10m

BoM KT03195

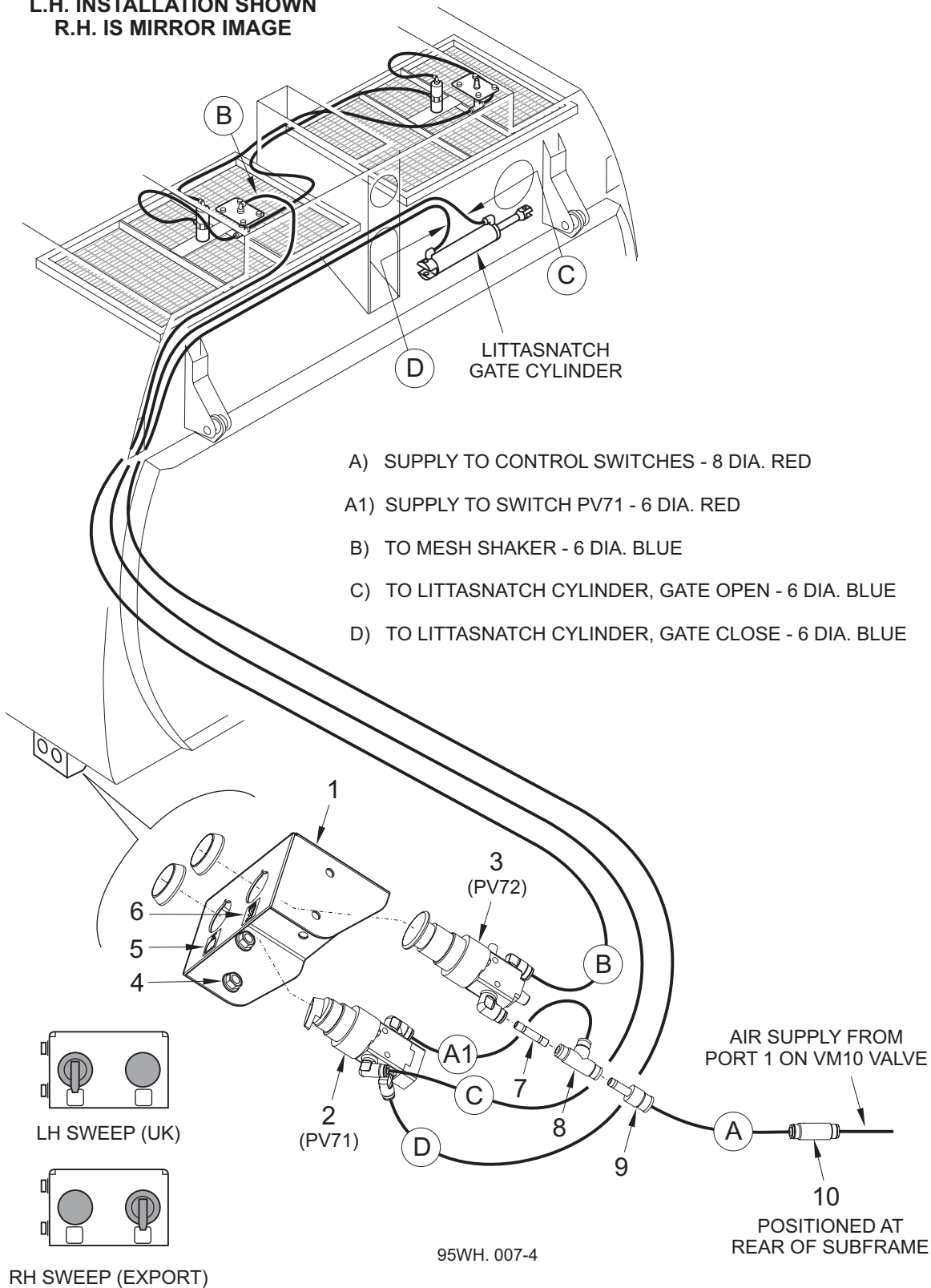
	282519-1	Mesh Shaker Installation comprising items 8 to 23 + C	
8	283806-1	Vibrator Assembly - includes items 9 and 10	2
9	546-3	Adaptor G1/8" x Ø6	2
10	553-9	Elbow G1/4" x Ø8	2
11	41041-1	Restrictor Sleeve	2
12	118-201	Screw M12 x 25)	2
	460-12	Washer - Spring M12) Stainless Steel	2
	457-6	Washer - Large M12)	2
13	282515-2	Connection Plate (4003)	2
14	118-135	Screw M8 x 20)	8
	454-10	Washer - Plain M8) Stainless Steel	8
	460-10	Washer - Spring M8)	8
15	551-1	Stem Elbow Ø6	1
16	555-3	Bulkhead Adaptor Ø6	1
17	549-3	Stem Connector Ø6	1
18	554-3	Tee Ø6	1
19	72-20	Silencer	1
20	541-8	Adaptor G1/4" x Ø8	1
21	451-17	Washer - Sealing	1
22	549-4	Stem Connector Ø8	1
23	554-4	Tee Ø8	1
C	12870	Tube - Black Ø8	3.5m

Notes

For Circuit Diagram see SP545a02 in Chapter 11 of the Maintenance Manual.

Littasnatch Combined Mesh Shaker Controls

L.H. INSTALLATION SHOWN
R.H. IS MIRROR IMAGE



Littasnatch Combined Mesh Shaker Controls

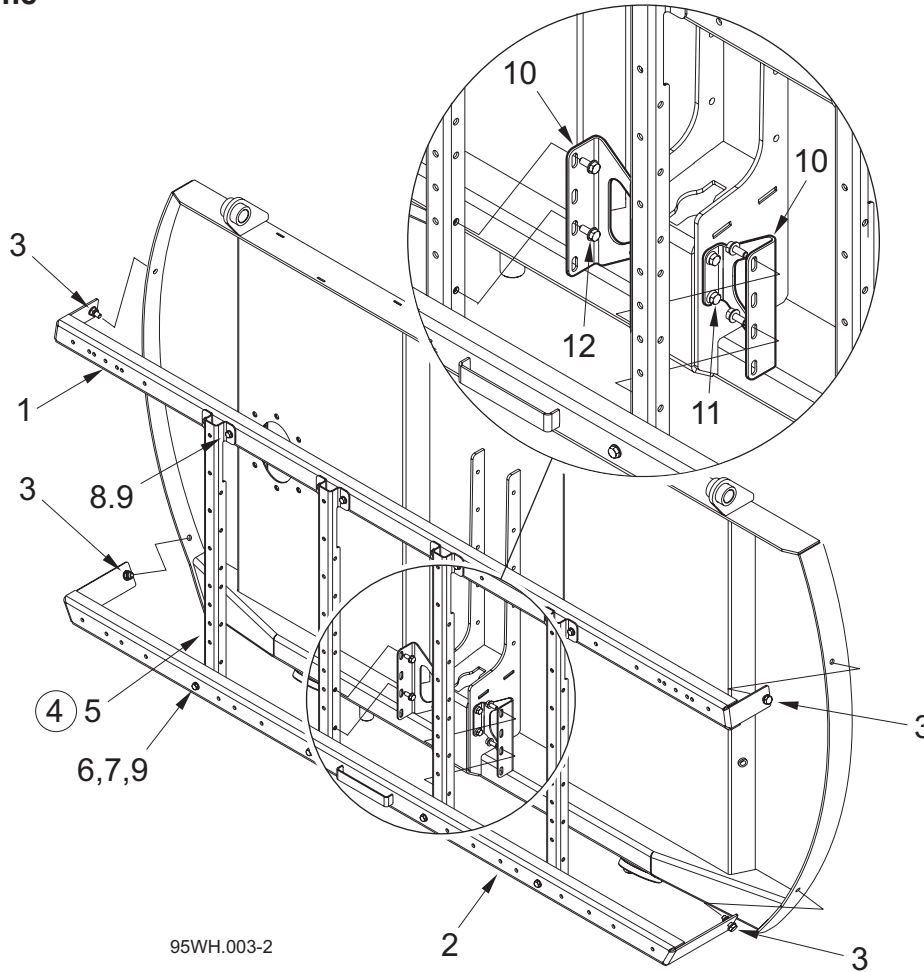
BoM KT03695

Item No.	Part No.	Description	Quantity
	282523-1	Pneumatic Controls comprising items 1 to 10 plus tubing	
1	282522-1	Switch Box	1
2	72-50	Air Switch	1
3	72-51	Push Button	1
4	124-135	Screw M8 x 20	2
	455-10	Washer - Plain M8	4
	425-14	Nut - Nyloc M8	2
5	282458-1	Littasnatch Label No. 2.14) See	1
6	282458-1	Mesh Shaker Label No. 2.13) Chapter 34	1
7	549-3	Stem Ø6	1
8	554-3	Tee Ø6	1
9	548-20	Reducing Stem Ø8 x Ø6	1
10	547-4	Connector	1
Tubing			
A	273-23	Tube - Red Ø8	6.5m
A1	273-21	Tube - Red Ø6	0.25m
B,C,D	273-20	Tube - Blue Ø6	20m

Littasnatch and Mesh Shaker Installations are shown on previous pages

Notes

For Circuit Diagram see SP545a02 in Chapter 11 of the Maintenance Manual.

Options Frame


95WH.003-2

BoM KT01695

Item No.	Part No.	Description	Quantity
	282437-1	Options Frame Assembly comprising items 1 to 9	
1	282432-1	Upper Cross Member	1
2	282433-1	Lower Cross Member	1
3	124-171	Screw M10 x 30	4
	455-11	Washer - Plain M10	8
	425-15	Nut - Nyloc M10	4
4	282439-1	Vertical Strut Assembly comprising items 5 to 9	4
5	282435-1	Strut	1
6	282438-37	Spacer	1
7	123-110	Bolt M8 x 50	1
8	124-137	Screw M8 x 25	2
9	455-10	Washer - Plain M8	6
	425-14	Nut - Nyloc M8	3
10	283449-1	Fixing Bracket	2
11	124-135	Screw M8 x 20	4
	460-10	Washer - Spring M8	4
	455-10	Washer - Plain M8	4
12	124-135	Screw M8 x 20	4
	455-10	Washer - Plain M8	4

CHAPTER

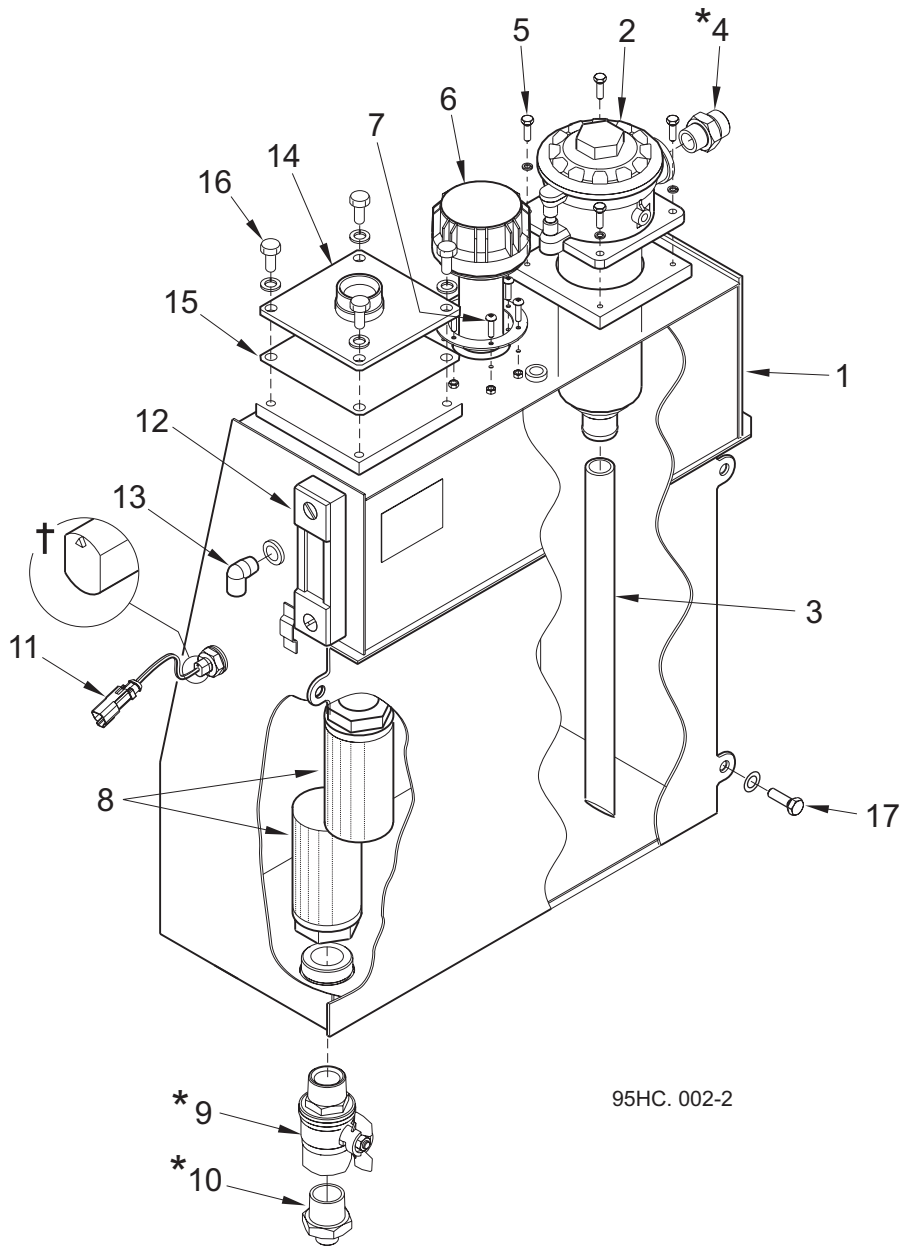
28

Hydraulics

Table of Contents

Section	Page
Reservoir	
Hydraulic Tank Assembly - VT Range	28 : 2
Hydraulic Tank Assembly - VS Range	28 : 4
Valve Block and Return Manifolds	
Main Valve Block (In Systems Locker)	28 : 6
Return Manifolds	28 : 8
Tandem Pump Auxiliary Systems	
Auxiliary Valve Block Installation	28 : 10
Oil Cooler Installation	28 : 12
Body Discharge	
Emergency Discharge Pump	28 : 14
Sequence Valve - Rear Door Locking	28 : 17
Cylinders	
Body Tip Cylinder	28 : 18
Body Prop Cylinder	28 : 20
Rear Door and Powaboom Cylinders	28 : 21
Rear Door Clamping Cylinder	28 : 22
Wide Sweep Brush Slew Cylinder	28 : 23
Channel Brush Pivot Cylinder	28 : 24
Hydraulic Hoses	
Hose Part Numbering System	28 : 25

Hydraulic Tank Assembly - VT Range



Hydraulic Tank Assembly - VT Range

BoM 950514

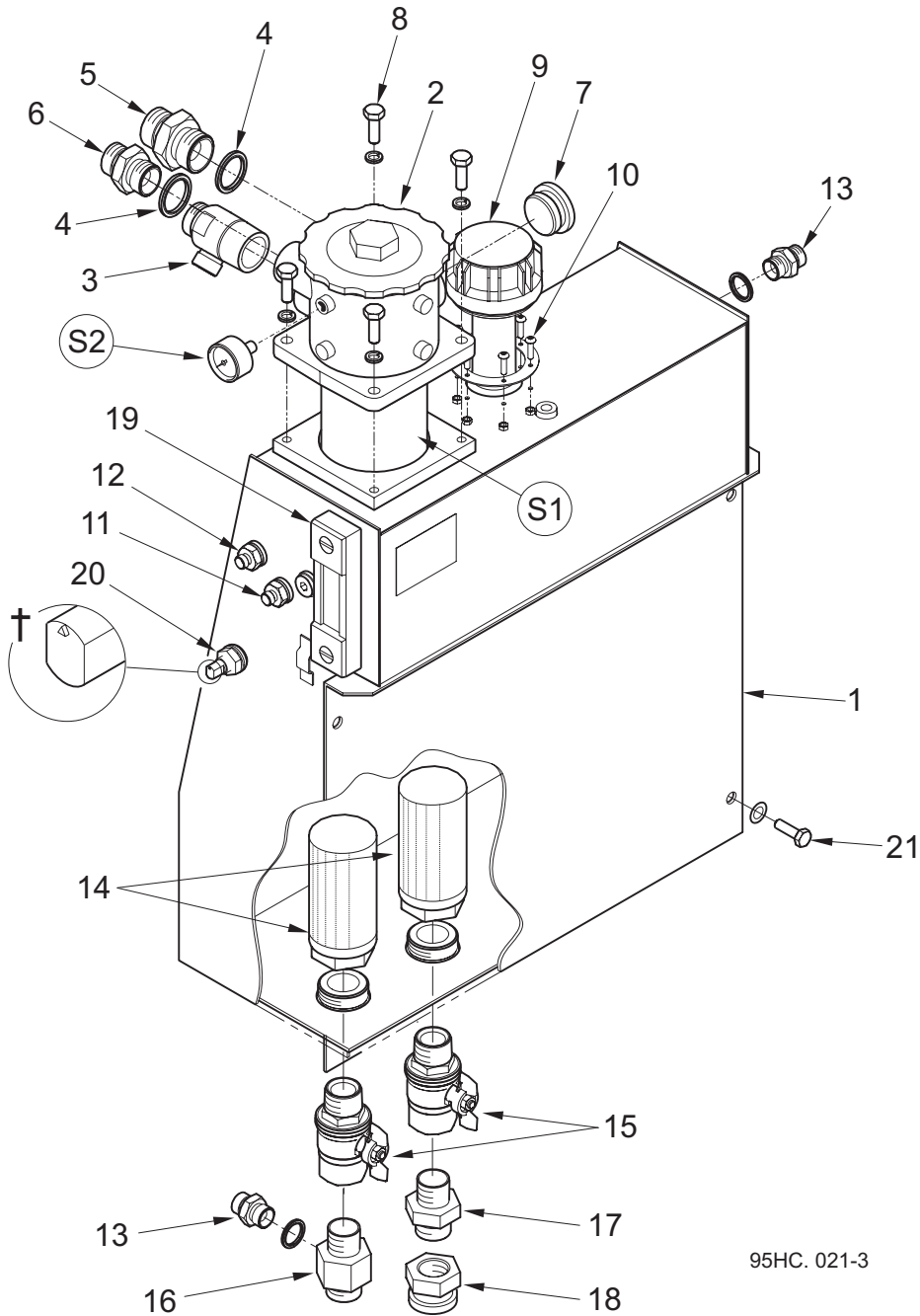
Item No.	Part No.	Description	Quantity
	281761-1	Hydraulic Tank Assembly Comprising Items 1 to 16:	1
1	281640-1	Tank	1
2	282852-1	Multiflow Filter	1
3	42206-1	Return Pipe	1
4	266-6	Adaptor G3/4"	1
5	124-103	Screw M6 x 20	4
	460-8	Washer - Spring M6	4
6	69-30	Filler Breather	1
7	134-59	Screw Pan Head M5 x 20	6
	425-12	Nut - Nyloc M5	6
8	15411	Filter	2
9 *	89-15	Valve R1" x G1"	1
10 *	277-137	Adaptor G 1/2" x R1"	1
11	48-328	Level Switch with Connector	1
12	87-1	Level Gauge	1
> 13	521-12	Elbow R3/8" x Ø8	1
14	281960-1	Suction Pipe	1
15	281965-1	Gasket	1
16	124-167	Screw M10 x 20	4
	460-11	Washer - Spring M10	4
Mounting Screws			
17	124-167	Screw M10 x 20	4
	457-5	Washer - Large M10	4

Notes

† Arrow on level switch, Item 11, must point towards top of tank as shown.

* Apply Loctite 542 to tapered threads on Items 4, 9 and 10.

Hydraulic Tank Assembly - VS Range



95HC. 021-3

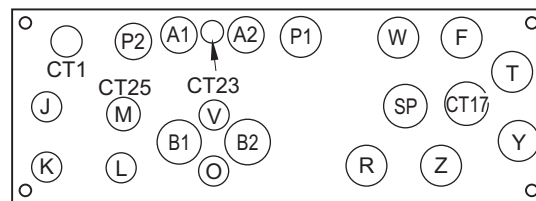
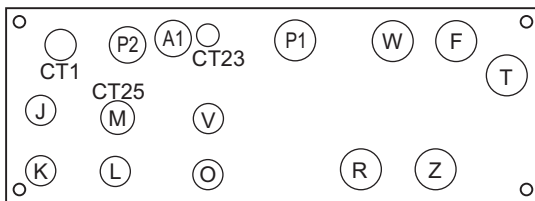
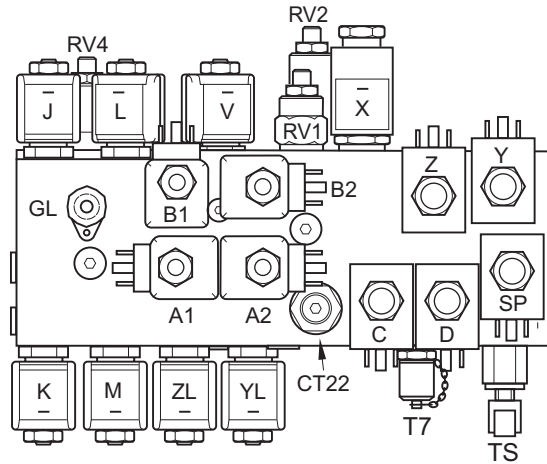
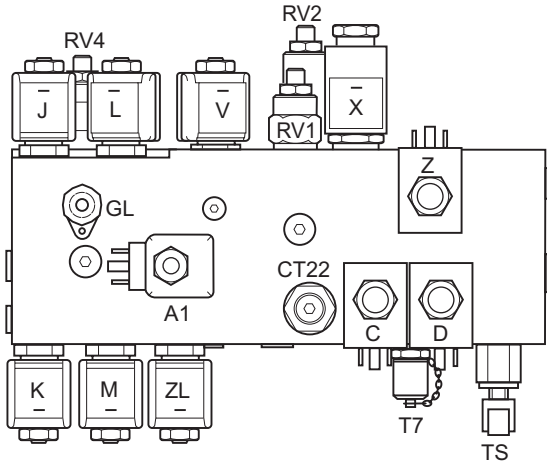
Hydraulic Tank Assembly - VS Range

BoM 950514

Item No.	Part No.	Description	Quantity
	281880-1	Tank Assembly comprising:-	
1	281635-1	Tank	1
2	281779-1	Suction/Return Filter	1
3	66105-1	Adaptor R1 1/4" x G1 x G3/4"	1
4	451-22	Washer - Sealing 1" BSP	2
5	265-11	Adaptor G1 1/4" x G1	1
6	263-7	Adaptor G1"	1
7	54-7	Collar Plug 1 1/4"	1
8	124-171	Screw M10 x 30	4
	460-11	Washer - Spring	4
9	69-30	Filler/Breather	1
10	134-59	Screw M5 x 20	6
	425-12	Nut - Nyloc M5	6
11	54-3	Collar Plug 3/8"	1
12	265-2	Adaptor G1 1/4" x G3/8"	2
	451-18	Washer - Sealing 3/8"	2
13	264-4	Adaptor G1/2"	2
	451-19	Washer - Sealing 1/2"	2
14	15411	Suction Filter	2
15	89-15	1" Valve	2
16	66162-1	Adaptor R1" x G1" x G1/2"	1
17	266-7	Adaptor R1" x G1"	1
18	68-26	Swivel Blanking Cap G1"	1
19	87-1	Level Gauge	1
20	48-328	Level Switch	1
		Mounting Screws	
21	124-167	Screw M10 x 20	4
	457-5	Washer - Large M10	4
Spares Items			
>	S1	281779-2	Filter Element
	S2	281779-3	Filter Gauge

Notes

† Arrow on level switch, Item 18, must point towards top of tank as shown.

Main Valve Block in Systems Locker


95HC. 016-4

SINGLE SWEEP
DUAL SWEEP

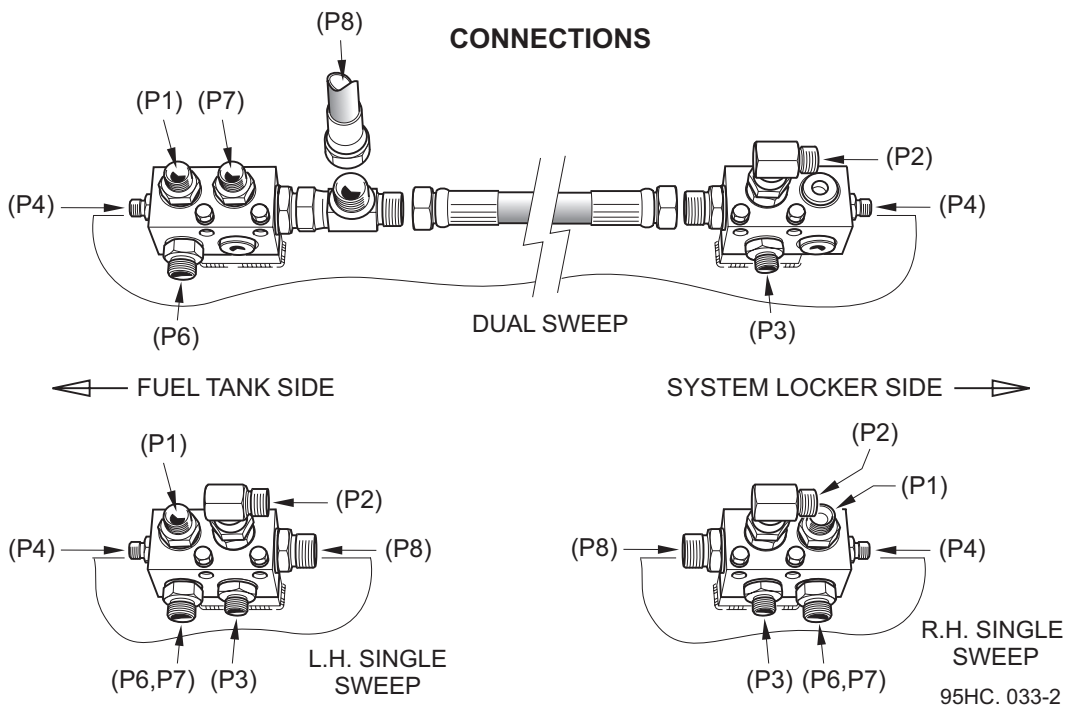
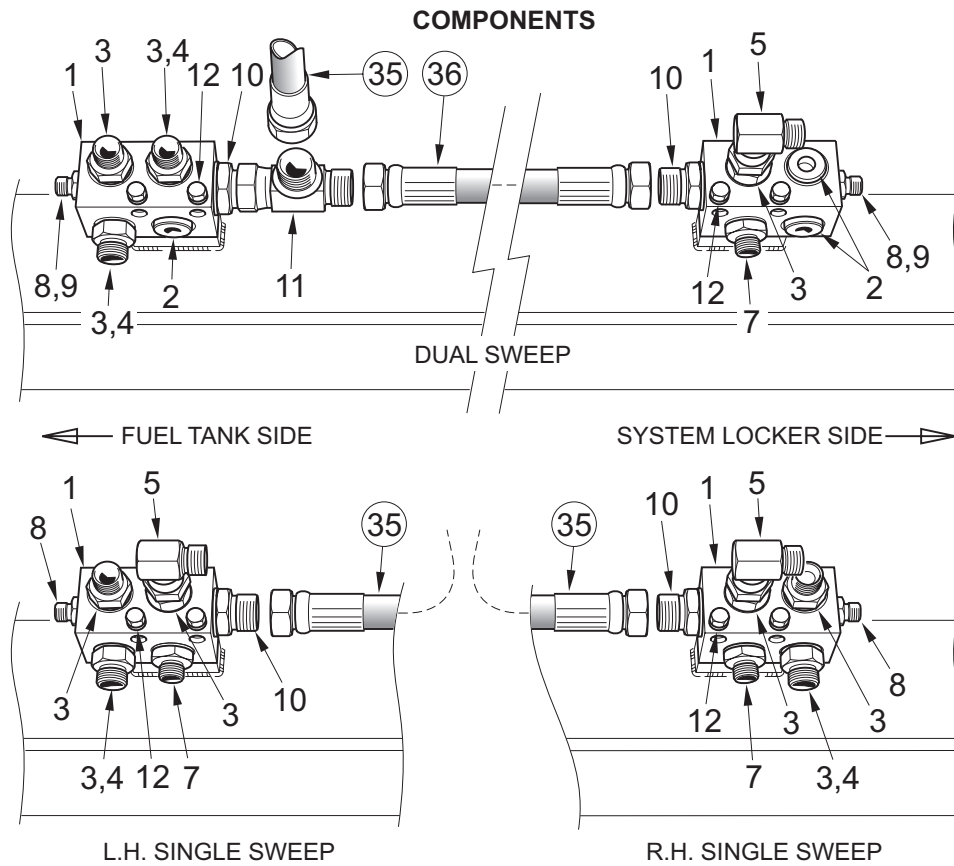
Part No.	Description
283730-12	Main Valve Block - 12v Single Sweep
283730-24	Main Valve Block - 24v Single Sweep
283731-12	Main Valve Block - 12v Dual Sweep
283731-12	Main Valve Block - 12v Simultaneous Sweep
283731-24	Main Valve Block - 24v Dual Sweep
283731-24	Main Valve Block - 24v Simultaneous Sweep

Main Valve Block in Systems Locker

Spares Items

	Valve	Part No.	Description
	A1, A2, B1, B2	847-53 847-54 847-3 847-68	Valve Cartridge Seal Kit Coil 12v Coil 24v
	C, Y, Z	847-93 847-95 847-9 847-80	Valve Cartridge Seal Kit Coil 12v Coil 24v
>	K, M, YL, ZL	847-5 847-4 847-3 847-68	Valve Cartridge Seal Kit Coil 12v Coil 24v
	J, L, V	847-63 847-48 847-69 847-70	Valve Cartridge Seal Kit Coil 12v Coil 24v
	D, SP, X	847-59 847-95 847-9 847-80	Valve Cartridge Seal Kit Coil 12v Coil 24v
>	CT1, CT22,	847-19 847-20	Check Cartridge Seal Kit
>	CT17	847-94 847-20	Check Cartridge Seal Kit
	CT23, CT25	847-92	M6 x 0.75 Orifice
	RV1	847-78 847-75	Relief Cartridge (175 bar) Seal Kit
	RV2	847-39 847-75	Relief Cartridge (225 bar) Seal Kit
	RV4	847-62 847-75	Relief Cartridge (80 bar) Seal Kit
	TS	282920	Temperature Switch (See TB 1225)
	T7, GL	665-8	Test Point G1/4" with 'O' Ring

Return Manifolds



Return Manifolds

BoM 940713, 950713

Components

Item No.	Part No.	Description	Quantity	
			Single	Dual
	282336	Manifold Installation Drawing		
1	281548-1	Return Manifold	1	2
2	54-4	Plug 1/2"	-	3
3	263-4	Adaptor 1/2"	3	4
	451-19	Washer - Sealing 1/2"	3	4
4	68-17	Cap - Sealing G1/2" - Req'd when Tandem Pump is not fitted.	1	2
5	262-4	Swivel Elbow 90° 1/2"	1	1
6	-	-	-	-
7	265-4	Adaptor 1/2" x 3/8"	1	1
	451-19	Washer - Sealing 1/2"	1	1
8	263-2	Adaptor 1/4"	1	2
	451-17	Washer - Sealing 1/4"	1	2
9	68-19	Cap - Sealing G1/4" - Fitted to Fuel Tank side on R.H. Sweep and Systems Locker side on L.H. Sweep	-	1
10	263-6	Adaptor 3/4"	1	2
	451-21	Washer - Sealing 3/4"	1	2
11	255-15	Tee Adaptor	-	1
12	124-147	Screw M8 x 60	2	4
	460-10	Washer - Spring M8	2	4
* 35	HE12003-80	Hydraulic Hose 3/4"	1	1
> * 36	HE12000-38	Hydraulic Hose 3/4"	-	1

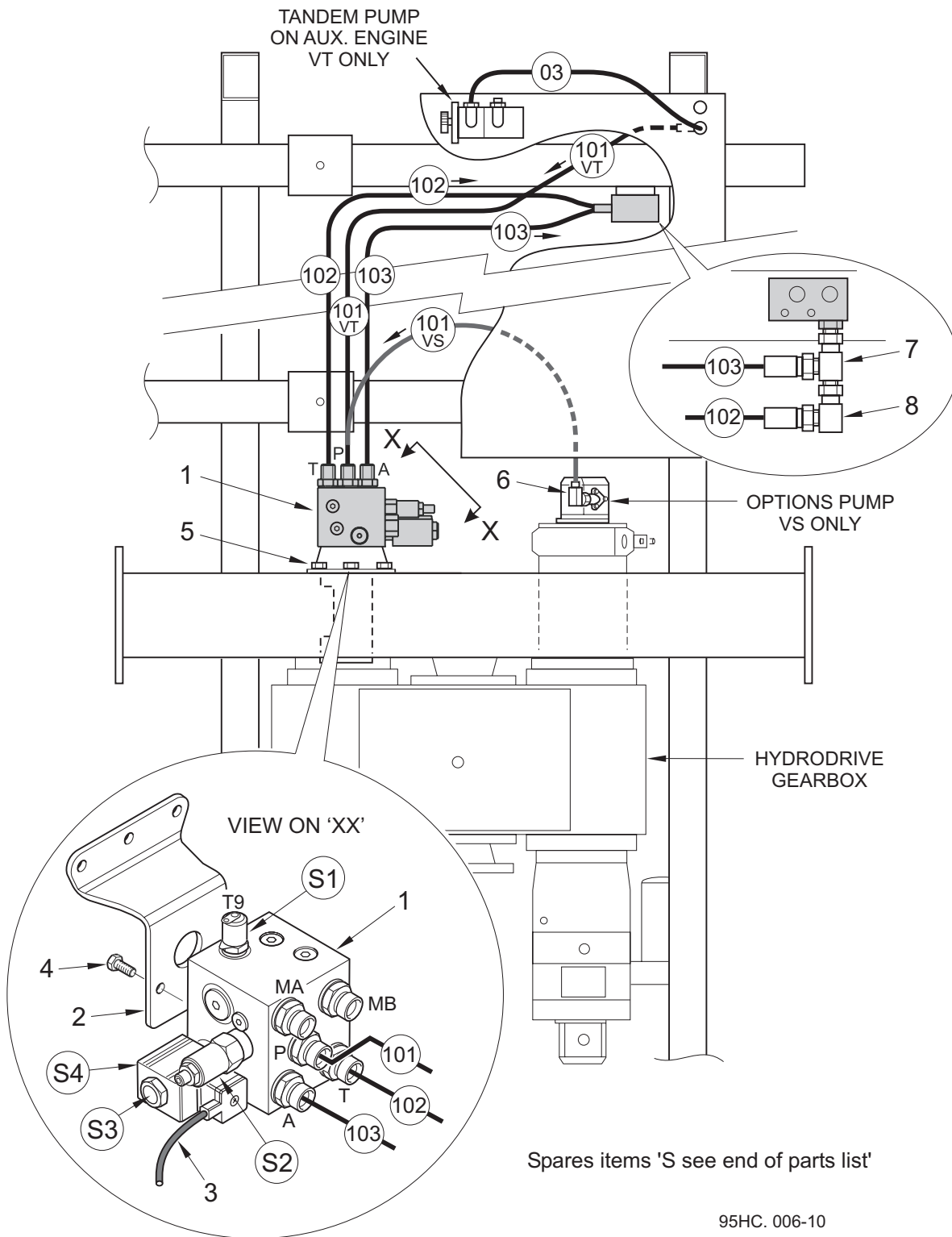
* Hose numbers correspond with those in diagrams SH521a01 and b01 in Chapter 8

Connections

Port	Connection
(P1)	From Port 'T' on Systems Locker Main Valve Block (Hose 41)
(P2)	From Channel Brush motor (Hose 81 Single Sweep, Hose 82 Dual Sweep)
(P3)	From Channel Brush Speed Control in cab (Hose 84)
(P4)	From WSB Motor Drain (Hose 74) - Fuel Tank Side, R.H. Sweep - Systems Locker Side, L.H. Sweep
(P5)	-
(P6)	From Tandem/Options Pump Valve Block Port 'T' (Hose 102)
(P7)	From Tandem/Options Pump Valve Block Port 'A' (Hose 103) See Tandem/Options Pump Valve Block, over page for single sweep fittings.
(P8)	VT Series - From Hydraulic Tank Return Filter via hose 04 and Powapak floor plate See Engine PTO Pump Installations, Chapter 22. VS Series - From Oil Cooler via hose 203 and Powapak floor plate See Fan Tub - Hydraulic Hoses, Chapter 22.HI

Port numbers correspond with those in diagrams SH521a01 and b01 in Chapter 8

Tandem/Options Pump Valve Block Installation



Tandem/Options Pump Valve Block Installation

KT12195

Item No.	Part No.	Description	Quantity
	283699-24	Valve Block Assembly 24v	1
	283699-12	Valve Block Assembly 12v	1
1	283689-24	Valve Block - 24v	1
	283689-12	Valve Block - 12v	1
2	283685-1	Mounting Bracket	1
3	282069-1	Loom	1
4	124-136	Screw M8 x 22	2
	455-10	Washer - Plain Ø8	2
	460-10	Washer - Spring Ø8	2
5	124-171	Screw M10 x 30	3
	455-10	Washer - Plain Ø10	3
	460-10	Washer - Spring Ø10	3
03 ^	See Chapters 22.EI, EJ and EP - Tandem PTO Pumps		-
101VT *	HC08001-200	Hydraulic Hose 1/2"	1
102 *	HC08000-168	Hydraulic Hose 1/2"	1
103 *	HC08000-168	Hydraulic Hose 1/2"	1

BoM 950414 - Hoses, VS Hydrodrive Gearbox

6	262-4	Swivel Elbow 90° 1/2"	1
101VS *	HC08001-245	Hydraulic Hose 1/2"	1

BoM 950713 - Return Manifold (also see previous page)

7	255-13	Swivel Tee 1/2"	1
8	262-4	Swivel Elbow 90° 1/2"	1

Spares Items

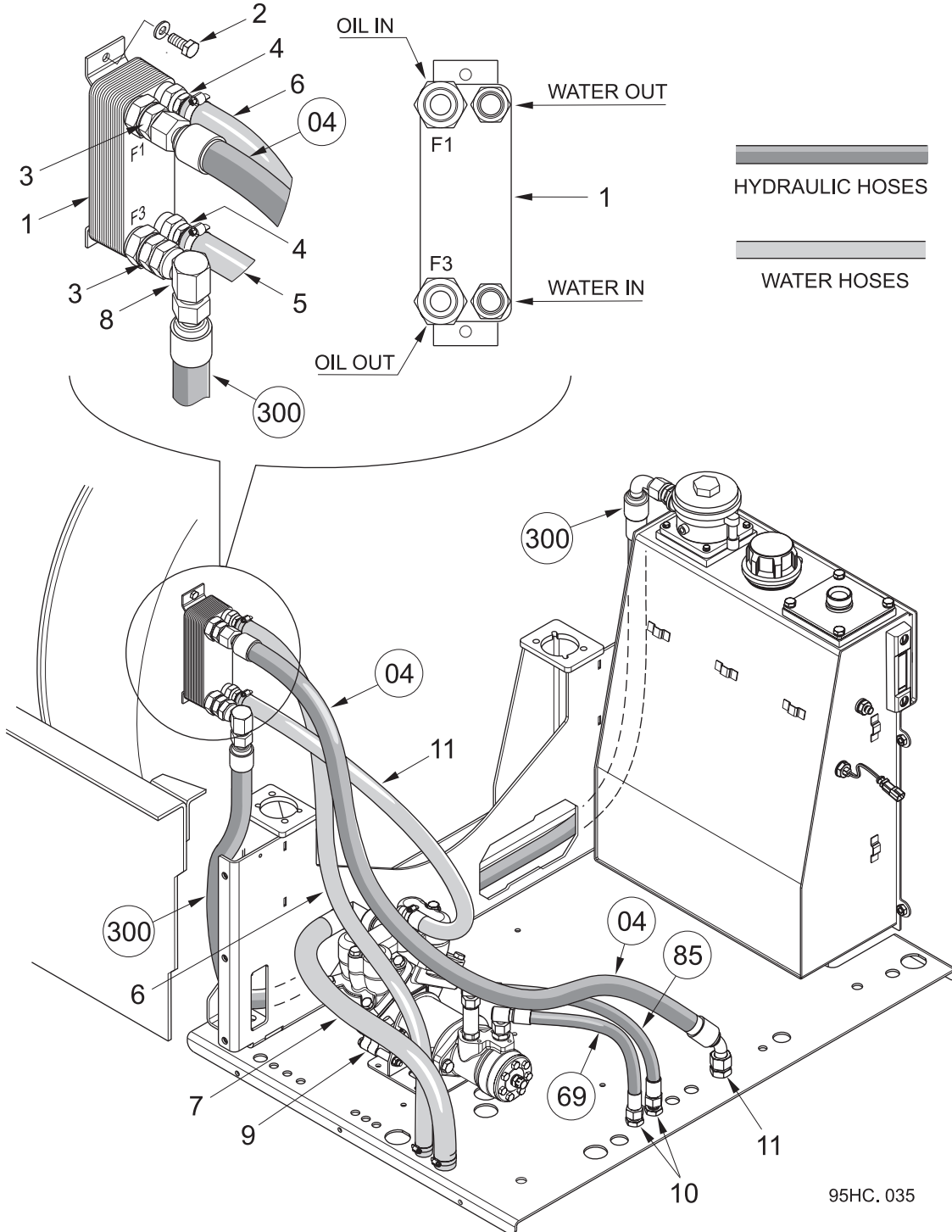
S1	665-18	Test Point G 1/4"	1
S2	847-39	Relief Valve Cartridge	1
S3	847-72	Solenoid Valve Cartridge	1
S4	847-74	Coil - 24v	1
	847-73	Coil - 12v	1

Notes

* Hose item numbers correspond with those in hydraulic diagram SH528a01 in Chapter 8.

^ Hose item number corresponds with that in hydraulic diagram SH531a01 in Chapter 8.

Oil Cooler Installation - Tandem Pump Circuit



95HC. 035

Oil Cooler Installation - Tandem Pump Circuit

Drg. 283641

Item No.	Part No.	Description	Quantity
1	282963-3	Oil Cooler	1
2	124-135	Screw M8 x 20	2
	460-10	Washer - Spring M8	2
3	263-6	Adaptor 3/4" BSP	2
	451-21	Washer - Sealing 3/4" BSP	2
4	231-43	Hosetail Adaptor	2
5	497-H12	Hose 3/4" (See Chapter 30 - Water Hoses - item 7)	1.0m
6	497-H12	Hose 3/4"	0.5m
	501-3	Hose Clip	2
7	6117	Hose 1" (See Chapter 30 - Water Hoses - Item 6)	1
8	262-6	Swivel Elbow 3/4" x 90°	1
9	282812-2	Water Pump Assembly	1
10	264-4	Bulkhead Adaptor 1/2" BSP	2
	410-80	Backnut 1/2" BSP	2
11	264-6	Bulkhead Adaptor 3/4" BSP	1
	410-57	Backnut 3/4" BSP	1

Hoses

04	HE12001-122	Hydraulic Hose 3/4"	1
300	HE12002-180	Hydraulic Hose 3/4"	1

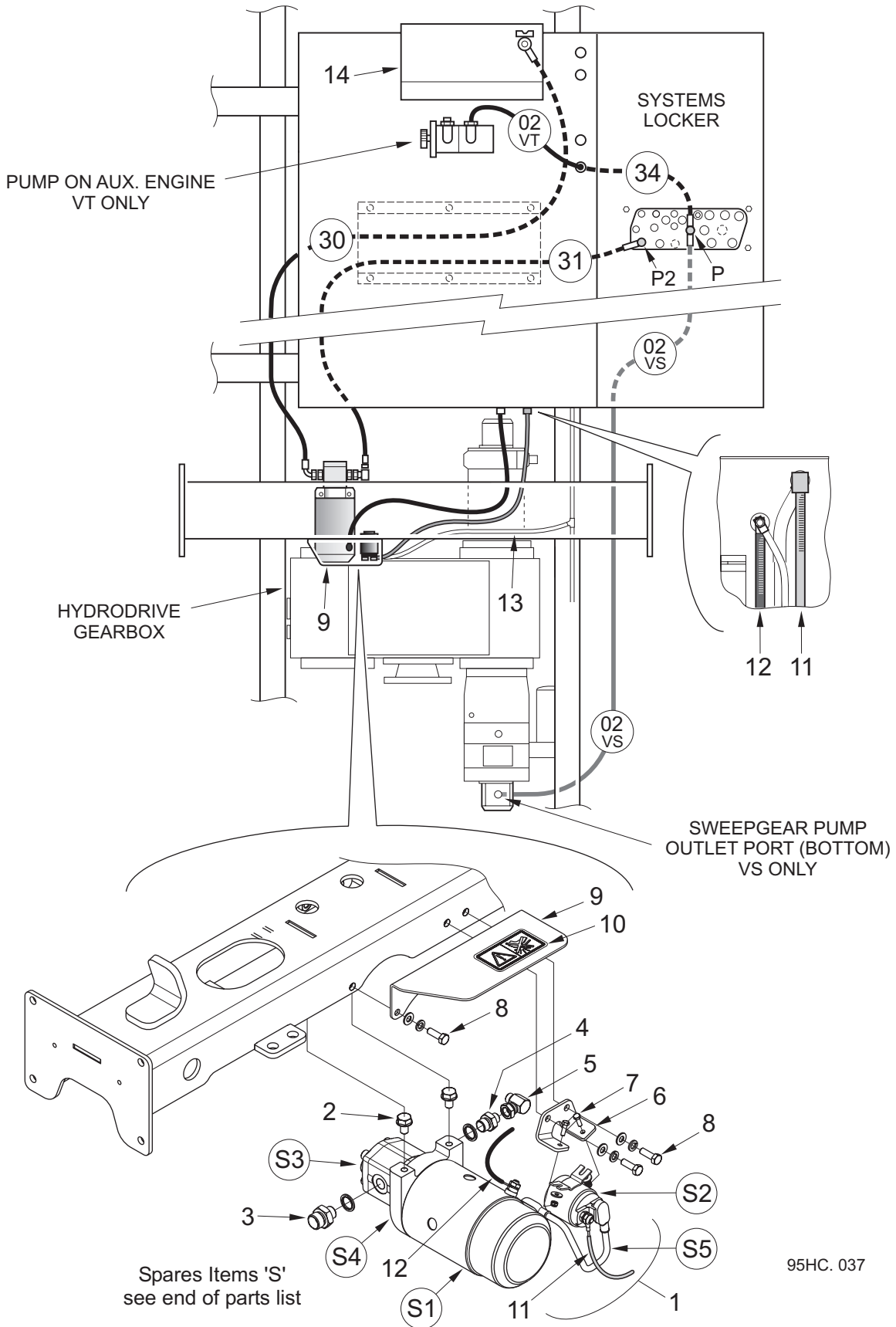
These hose item numbers correspond with those in hydraulic diagram SH521a01 Rev. 03

69	HC08003-40	Hydraulic Hose	1
85	HC08003-45	Hydraulic Hose	1

These hose item numbers correspond with those in hydraulic diagrams SH522z01 Rev. 10 and SH523z01 Rev. 09

Notes

Emergency Discharge Pump



Emergency Discharge Pump

BoM 950714

Item No.	Part No.	Description	Quantity
	283707-24	Emergency Discharge Assembly - 24v	
	283707-12	Emergency Discharge Assembly - 12v	
		Both Assemblies comprise items 1 to 10:-	
1	283706-24	Motor/Pump Unit - 24v	1
	283706-12	Motor/Pump Unit - 12v	1
2	125-185	Flanged Bolt M10 x 16	2
3	265-4	Adaptor 1/2" x 3/8"	1
	451-18	Washer - Sealing 3/8"	2
4	265-2	Adaptor 1/4" x 3/8"	1
	451-18	Washer - Sealing 3/8"	1
5	262-2	Swivel Elbow 1/4" x 90°	1
6	283687-1	Mounting Plate	1
7	124-70	Screw M5 x 16	2
	457-1	Washer - Plain Large Ø5	2
	425-12	Nut - Nyloc M5	2
8	124-137	Screw M8 x 25	3
	455-10	Washer - Plain Ø8	3
	460-10	Washer - Spring Ø8	3
9	283688-1	Guard	1
10	283709-1	Label	1
11	282036-1	Pump Cable - Red	1
12	282036-21	Pump Cable - Black	1
	282156-1	EDS Solenoid Earth Cable (Not Shown)	1
13	-	Subframe Loom	Ref.
14	-	Hydraulic Tank - covered elsewhere in this chapter	
30 *	HC08003-224	Hydraulic Hose 1/2"	1
31 *	HC04001-194	Hydraulic Hose 1/4"	1

BoM 950713 - VT Hoses

34 *	HC08001-49	Hydraulic Hose 1/2"	1
------	------------	---------------------	---

BoM 950515 - VT Hoses

02VT	See Chapters 22.EI, EJ, and EP - Pump Installations		
------	---	--	--

BoM 950414 - VS Hoses

02VS ^	HC08001-239	Hydraulic Hose 1/2"	1
--------	-------------	---------------------	---

See Spares Items over page

Emergency Discharge Pump**Spares Items**

Item No.	Part No.	Description
S1	283706-241	Motor - 24v
	283706-121	Motor - 12v
S2	283706-242	Starter Solenoid - 24v
	283706-122	Starter Solenoid - 12v
S3	283706-30	Hydraulic Pump
S4	283706-31	Mounting Plate
S5	283706-32	Link Cable

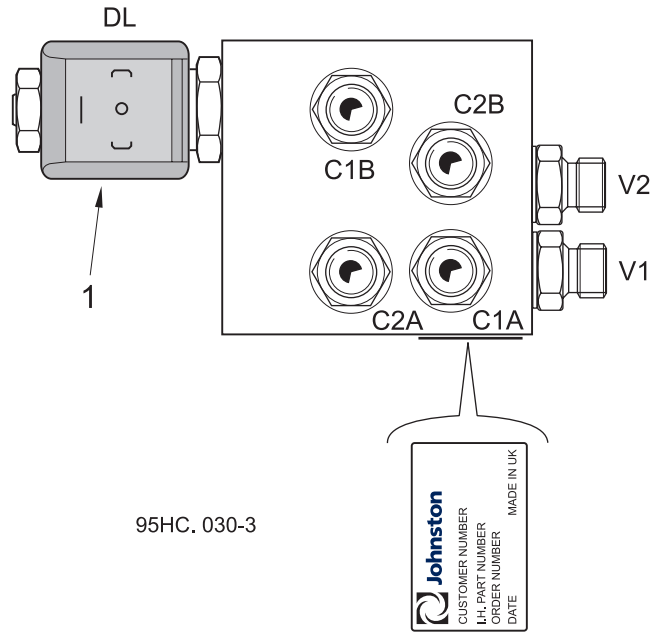
Notes

* Hose item numbers correspond with those in hydraulic diagram SH531a01 in Chapter 8.

^ Hose item number corresponds with that in hydraulic diagram SH531b01 in Chapter 8.

Sequence Valve - Rear Door Locking

SPARES ITEMS

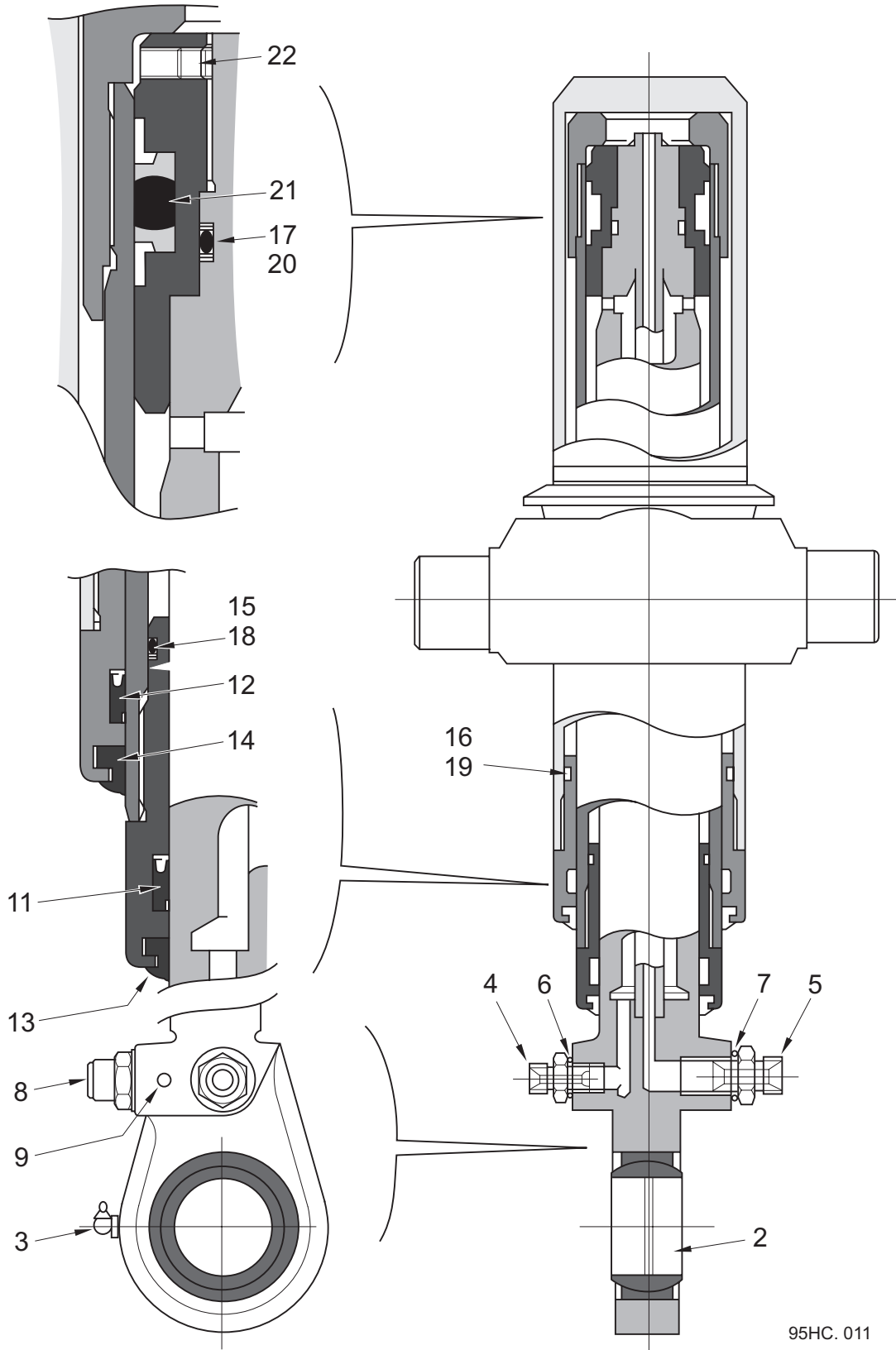


Item No.	Part No.	Description
	283405-12	12v Rear Door Valve Assembly
	283405-24	24v Rear Door Valve Assembly
1	847-5	Valve Cartridge (DL)
	847-3	Coil - 12v
	847-68	Coil - 24v

Notes

Valve fitted to rear of subframe - See Chapter 21 for fitting details

Body Tip Cylinder



95HC. 011

Body Tip Cylinder

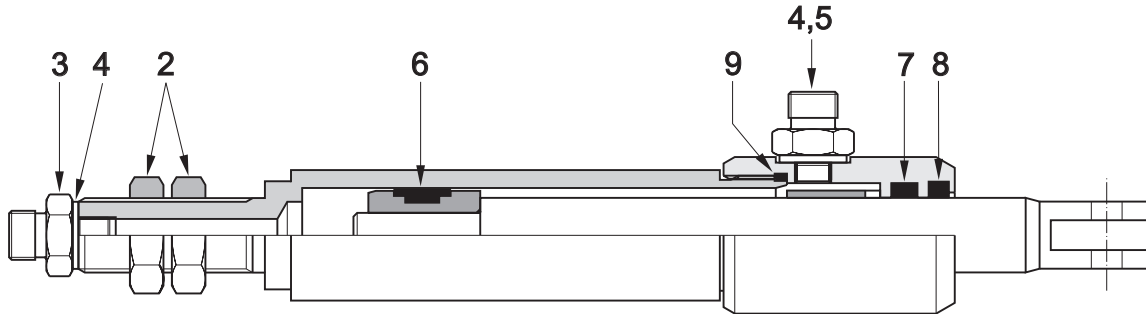
BoM 950611 Drg. 28940

Item No.	Part No.	Description	Quantity	
	500/605/650 800			
1	28940-4	28940-5	Body Tip Cylinder Assembly	1
2	29100-7	<	Spherical Bearing	1
3	38-8	<	Grease Nipple 1/8" 90°	1
4	263-2	<	Adaptor 1/4"	1
5	263-4	<	Adaptor 3/8" x 1/2"	1
6	451-17	<	Washer - Sealing 1/4"	1
7	451-19	<	Washer - Sealing 1/2"	1
> 8	241-265	<	Valve - Over Centre	1
9	5259	<	Plug 1/8"	1

Seal Kit 28940-500 comprising:

Item No	Description	Quantity
11	Seal - 2nd Stage Rod	1
12	Seal - 1st Stage Rod	1
13	Wiper Seal - 2nd Stage Rod	1
14	Wiper Seal - 1st Stage Rod	1
15	'O' Ring	1
16	'O' Ring	1
17	'O' Ring	1
18	Spirol Back-up Ring	1
19	Spirol Back-up Ring	1
20	Spirol Back-up Ring	2
21	Seal - 2nd Stage Piston	1
22	Grub Screw	1

Notes

Body Prop Cylinder


95HC. 013

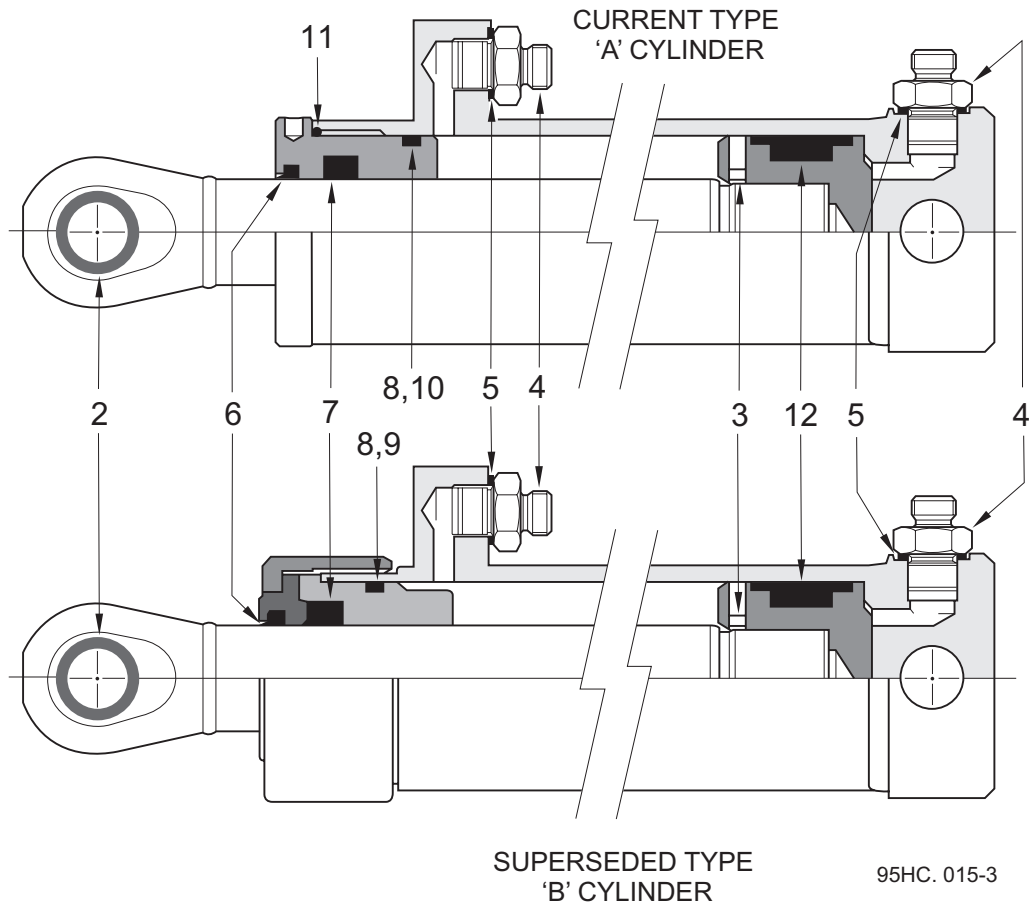
Item No.	Part No.	Description	Quantity
	29345-1	Body Prop Cylinder Assembly	
2	421-7	Locknut M20	2
3	265-1	Adaptor 1/8" x 1/4"	1
4	451-4	Washer - Sealing	2
5	29332-1	Special Adaptor 1/8" x 1/4"	1

Seal Kit 29345-50 comprising:

Item No.	Description	Quantity
6	Piston Seal	1
7	Rod Seal	1
8	Wiper Seal	1
9	'O' Ring	1

Notes

Rear Door and Powaboom Cylinders



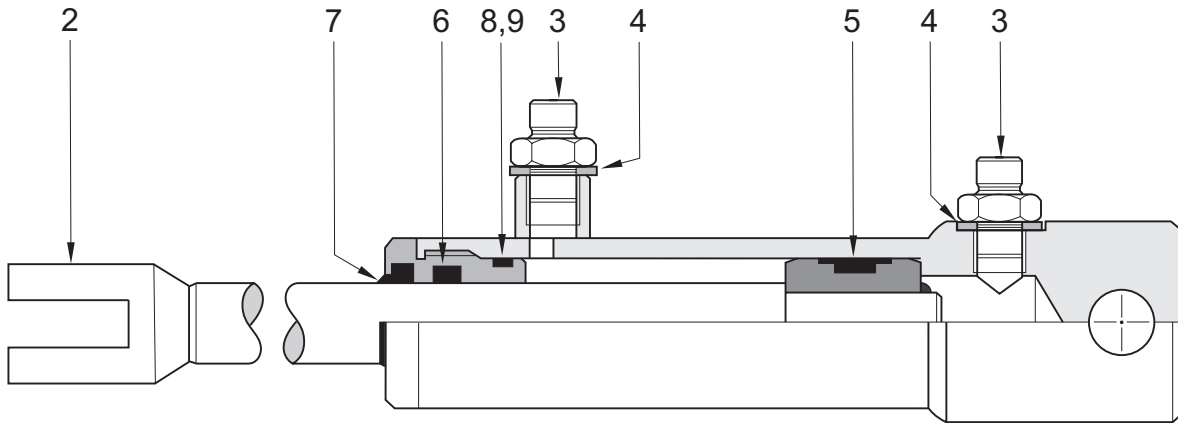
95HC. 015-3

BoM 950813, 951312

Item No.	Part No.	Description	Quantity
	29170-1	Rear Door Cylinder	
	29170-20	Powaboom Cylinder	
2	29128	Bush	2
3	135-2	Grubscrew M6c x 6mm	1
4	265-2	Adaptor 1/4" x 3/8"	2
5	451-18	Washer - Sealing 3/8"	2

Seal Kit 29170-500 comprising:

Item No.	Description	Quantity
2	Bush	2
6	Wiper Seal	1
7	Rod Seal	1
8	'O' Ring	1
9	Back-up Ring	1
10	Back-up Ring	1
11	'O' Ring	1
12	Piston Seal	1

Rear Door Clamping Cylinder


95HC. 014-2

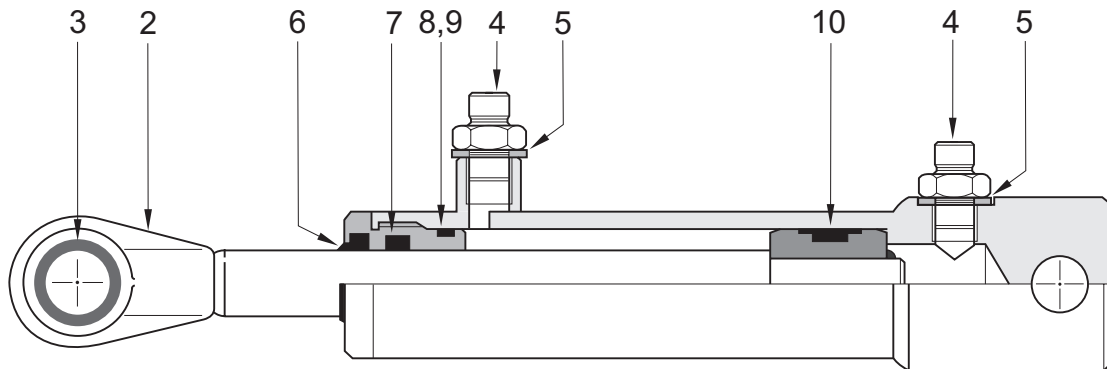
Item No.	Part No.	Description	Quantity
	281565-1	Cylinder Assembly	
2	28929-1	Fork End	1
3	263-2	Adaptor	2
4	451-17	Washer - Sealing	2

Seal Kit 29465-500 comprising:

Item No.	Description	Quantity
5	Piston Seal	1
6	Rod Seal	1
7	Wiper Seal	1
8	'O' Ring	1
9	Back-up Ring	1

Notes

Wide Sweep Brush Slew Cylinder



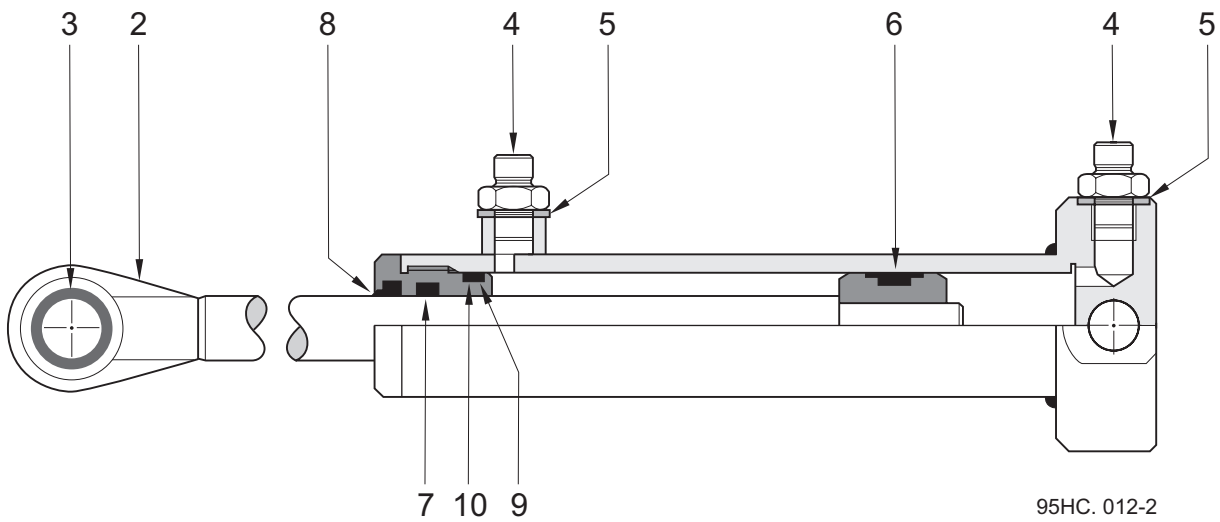
HC. 0014-3

Item No.	Part No.	Description	Quantity
1	29160-1	Wide Sweep Brush Slew Cylinder	
2	28928-1	Eye	1
3	29128-1	Bush	1
4	263-2	Adaptor 1/4"	2
4	451-17	Washer - Sealing 1/4"	2

Seal Kit 29160-500 comprising:

Item No.	Description	Quantity
3	Bush	1
6	Wiper Seal	1
7	Rod Seal	1
8	Back-up Ring	1
9	'O' Ring	1
10	Piston Seal	1

Notes

Channel Brush Pivot Cylinder


95HC. 012-2

Item No.	Part No.	Description	Quantity
	281601-1	Cylinder Assembly	1
2	28928-1	Eye	1
3	29128-1	Bush	1
4	263-2	Adaptor 1/4"	2
5	451-17	Washer - Sealing	2

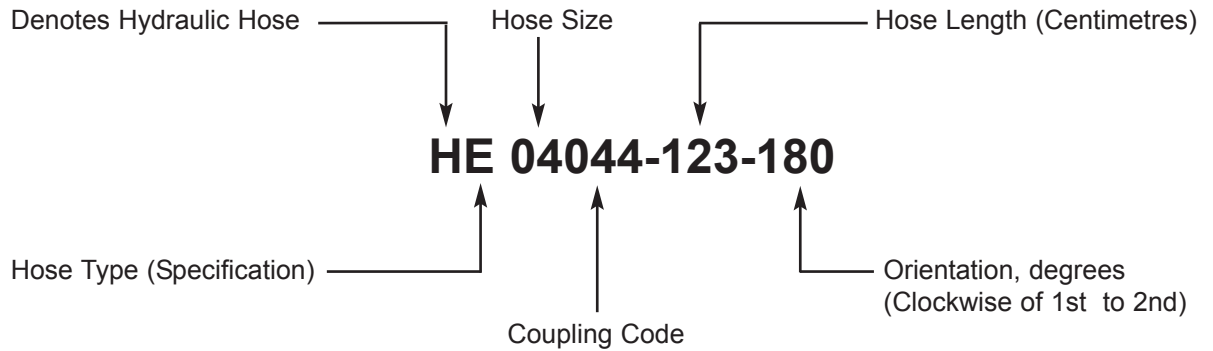
Seal Kit 29160-500 comprising:

Item No.	Description	Quantity
3	Bush	1
6	Piston Seal	1
7	Rod Seal	1
8	Wiper Seal	1
9	'O' Ring	1
10	Back-up Ring	1

Notes

Hydraulic Hose Part Numbering System

Example



Denoted by

B
C
E
F
K

JEL hose type**

Type B
Type C
Type E
Type F
Type K

Gates

MegaSpiral Plus (6 Braid)
Megaflex (M1T)
Sng. Braid (BE7)
Twinflex (CM2T)
MegaSpiral (4 Braid)

**B497 :- For full specification of hose.

Hose Diameter (Bore Size)

03 :- Denotes 3/16" Hose.
04 :- Denotes 1/4" Hose.
05 :- Denotes 5/16" Hose.
06 :- Denotes 3/8" Hose.
08 :- Denotes 1/2" Hose.

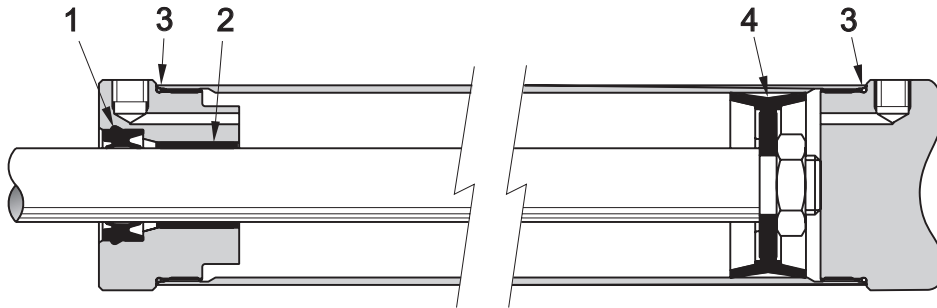
12 :- Denotes 3/4" Hose.
16 :- Denotes 1" Hose.
20 :- Denotes 1 1/4" Hose.
24 :- Denotes 1 1/2" Hose.
32 :- Denotes 2" Hose.

CHAPTER

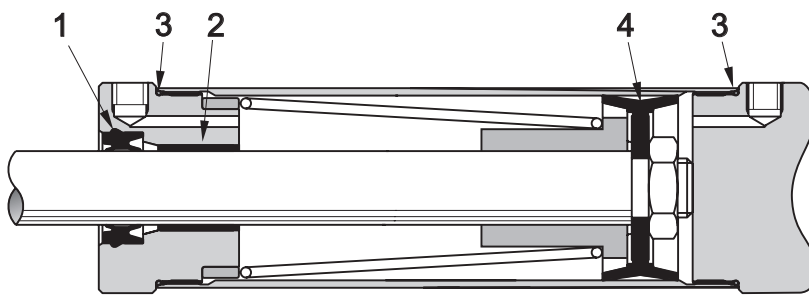
29**Pneumatics****Table of Contents**

Section	Page
Cylinders	
Cylinder Seal Kits	29 : 2
Systems Locker Components	
VM10 Valve Island	29 : 4
Regulators	29 : 6
Filter/Regulator (FR)	29 : 7
System Protection Valve	29 : 8
Shuttle Valve	29 : 9

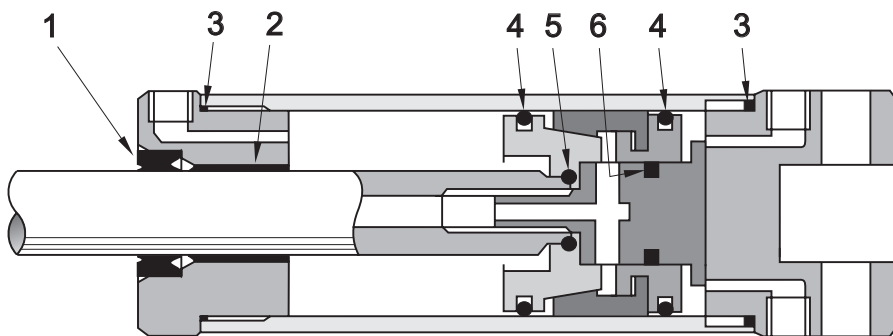
Cylinder Seal Kits



Ø 70mm Bore Cylinder - A
Ø 50mm Bore Cylinders - B, E, F, and G



Ø 50mm Bore Cylinder - C



Ø 50mm Bore Cylinder - D

95PC.002

Cylinder Seal Kits

Channel Brush Cylinders

Cylinder Letter	Cylinder Part No.	Cylinder Description	Seal Kit Part No.
A	200355-1	Lift Cylinder	200355-500
Not Shown	281614-1	Latch Cylinder	Not Repairable

Nozzle Cylinders

B	28903-1	Lift Cylinder	290001-500
C	290001-1	Maxigap Cylinder	290001-500
D	290002-1	Varagap Cylinder	290002-500

Wide Sweep Brush Cylinders

E	29284-2	Lift Cylinders	290001-500
---	---------	----------------	------------

Littasnatch Cylinder

F	63449-1	Gate Cylinder (6")	290001-500
---	---------	--------------------	------------

Intake Flap Cylinder

G	280840-1	Flap Cylinder	290001-500
---	----------	---------------	------------

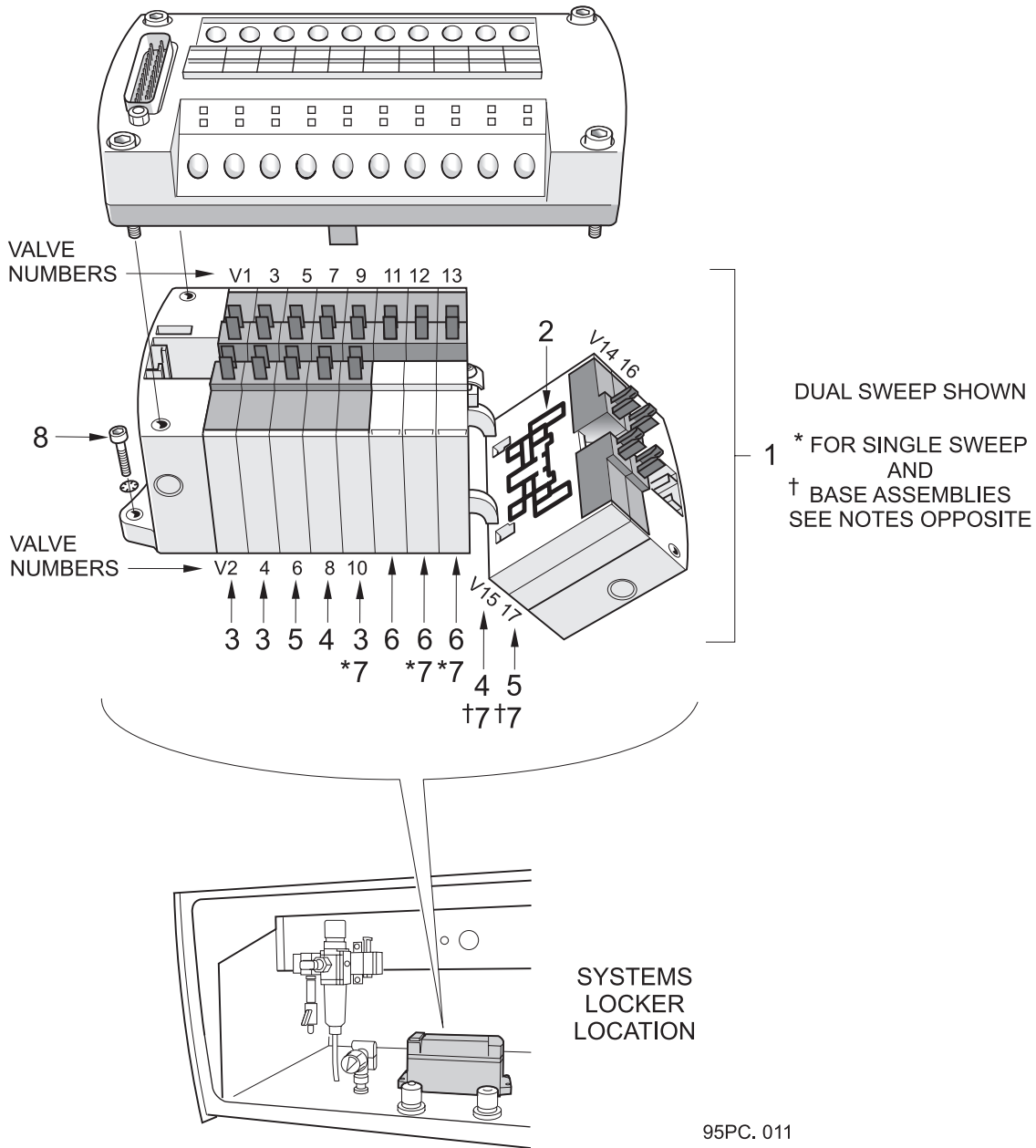
Seals Included in Kits 290001-500 and 200355-500

Item No.	Description	Quantity	Item No.	Description	Quantity
1	Rod Seal	1	3	'O' Ring	2
2	Bearing	1	4	Piston Seal	1

Seals Included in Kit 290002-500

Item No.	Description	Quantity	Item No.	Description	Quantity
1	Rod Seal	2	4	Piston Seal Ø50	2
2	Bearing	1	5	'O' Ring	1
3	'O' Ring	2	6	Piston Seal Ø25	1

VM10 Valve Island



95PC. 011

VM10 Valve Island

VM10 Valve Island

Item No.	Part No.	Description
1	283305-021	Valve Island 12v - Single Base
	283305-029	Valve Island 12v - Single Options
	283305-022	Valve Island 12v - Dual Base
	283305-030	Valve Island 12v - Dual Options
	283305-023	Valve Island 24v - Single Base
	283305-031	Valve Island 24v - Single Options
	283305-024	Valve Island 24v - Dual Base
	283305-032	Valve Island 24v - Dual Options

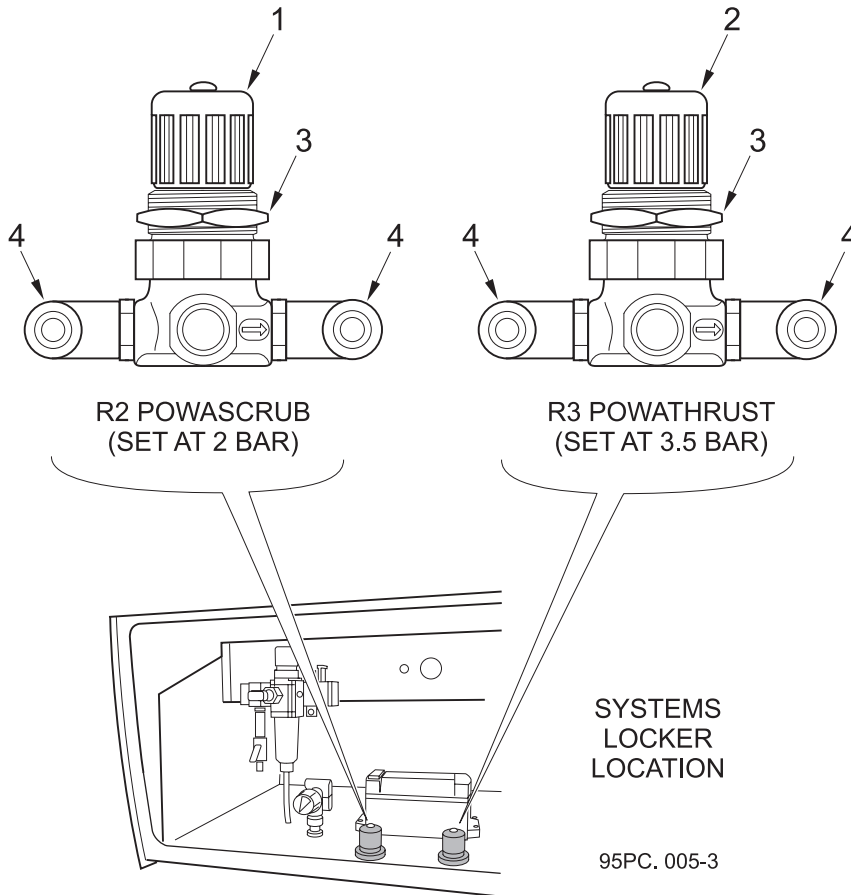
Spares Items			Quantity			
2	860-1	Gasket - Black			1	
	860-2	Gasket - Red			1	
		Valve Segments:-	Single Base	Single Options	Dual Base	Dual Options
3	860-5	Segment Code TC6U (12v)	2	2	3	3
	860-6	Segment Code NC6U (24v)	2	2	3	3
4	860-9	Segment Code TA6U (12v)	1	2	1	2
	860-10	Segment Code NA6U (24v)	1	2	1	2
5	860-7	Segment Code TB6U (12v)	1	2	1	2
	860-8	Segment Code NB6U (24v)	1	2	1	2
6	860-3	Segment Code TG6U (12v)	1	1	3	3
	860-4	Segment Code NG6U (24v)	1	1	3	3
7	860-30	Blanking Segment B000	5	3	2	-
8	129-35	Screw - Socket Head M4 x 16			4	
	450-269	Washer - Shakeproof M4			4	

Notes

> 12v Segments start with T*** 24v Segments start with N***

* Valve Segments V9/V10, 12 and V13 are replaced with blanking segments (7) on Single Sweep.
 † Valve Segments V14/15, V16/17 are replaced with blanking segments (7) on No Options.

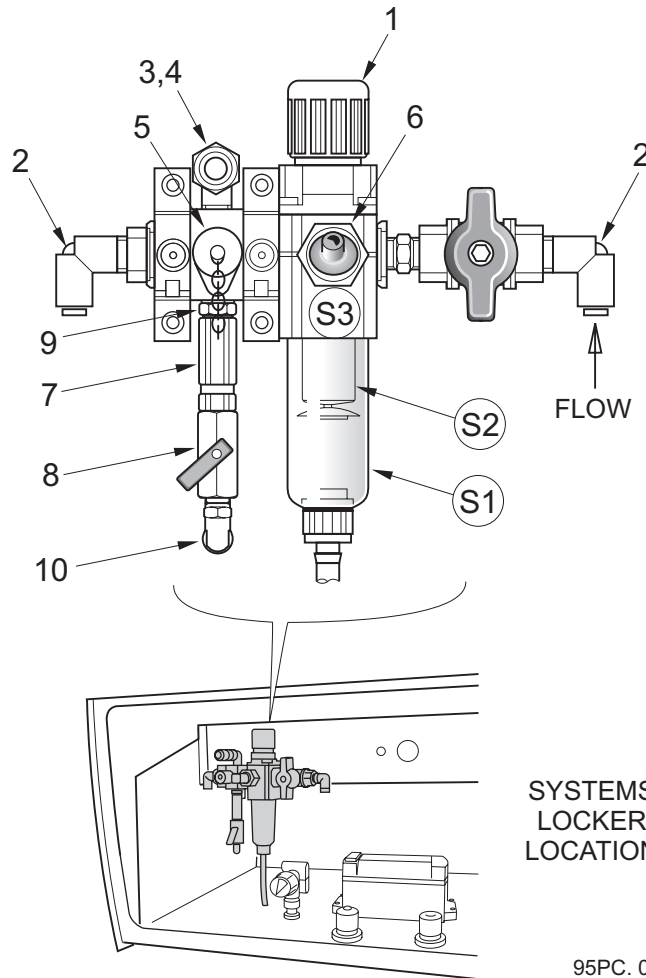
For circuit connections see diagrams SP541a02, Single Sweep and SP542a02, Dual Sweep in Chapter 11.

Regulators


Item No.	Part No.	Description	Quantity	
			R2	R3
	283526-1	Powascrub (R2) Regulator Assembly	✓	-
	283524-1	Powathrust (R3) Regulator Assembly	-	✓
1	283526-2	Pre-set Regulator	1	-
2	283524-2	Pre-set Regulator - with Yellow Top	-	1
3	72-15	Panel Nut	1	1
4	538-3	Swivel Elbow 1/8" x Ø6	2	2

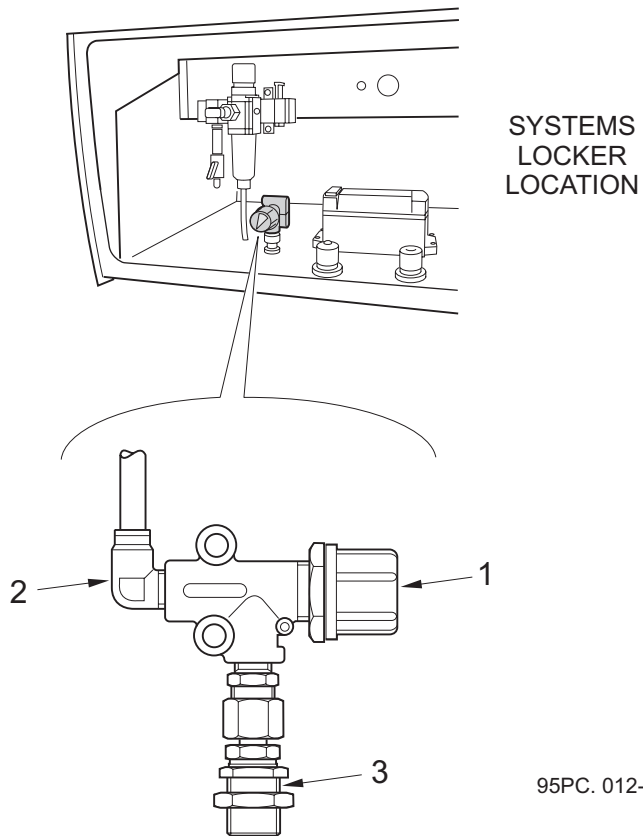
Notes

Filter/Regulator (FR) Unit



95PC. 006-4

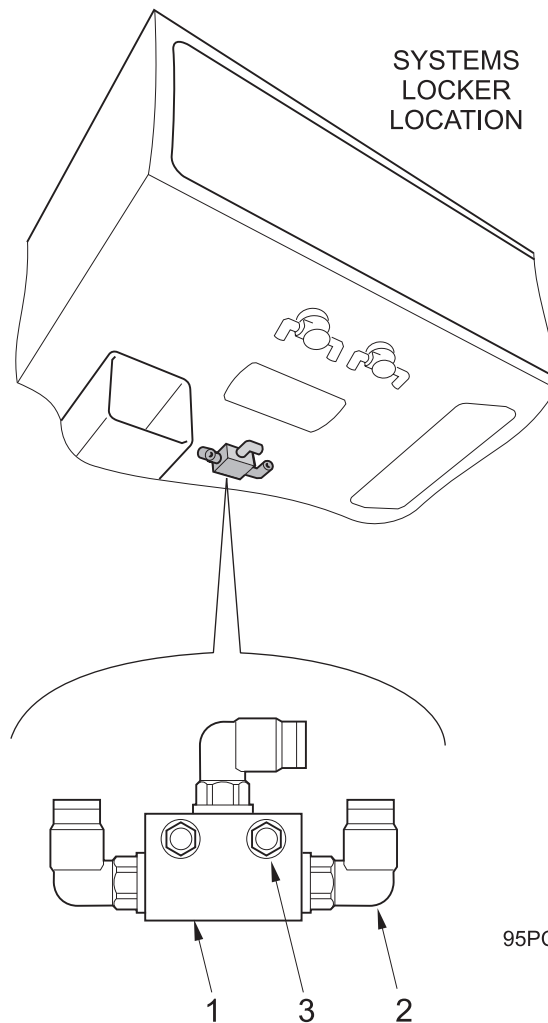
Item No.	Part No.	Description	Quantity
	221498-1	Filter/Regulator Assembly comprising:-	
1	283510-2	Filter/Regulator	1
2	538-9	Swivel Elbow R1/4" x Ø8	2
3	559-121	Quick Release Plug G1/4"	1
	559-120	Quick Release Socket G1/4"	1
4	72-60	Elbow R1/4" x G1/4"	1
5	665-26	Test Point	1
6	72-71	Pressure Switch	1
	509-5	Adaptor 1/8" NPTF x R1/8"	1
7	72-73	Non Return Valve G1/8"	1
> 8	72-95	Ball Valve G1/8"	1
9	558-2	Nipple R1/4" x R1/8"	1
10	553-3	Swivel Elbow G1/8" x Ø6	1
Spares Items for Filter Unit			
S1	72-30	Air Filter Bowl	
S2	72-39	Air Bowl Filter	
S3	72-29	Gasket Kit - Not Shown	

System Protection Valve


Item No.	Part No.	Description	Quantity
	283860-1	Valve Assembly comprising:-	
1	6779	Valve	1
2	538-9	Swivel Elbow	1
3	558-3	Bulkhead Connector	1

Notes

Shuttle Valve Assembly



95PC. 013

Item No.	Part No.	Description	Quantity	
			Single	Dual
	283527-1	Shuttle Valve Assembly comprising:-	1	2
1	72-1	Shuttle Valve	1	2
2	553-3	Swivel Elbow G1/8" x Ø6	3	6
3	129-38	Socket Capscrew M4 x 25	2	-
	129-44	Socket Capscrew M4 x 44	-	2
	455-5	Washer - Plain M4	2	2
	450-269	Washer - Shakeproof M4	2	2
	420-11	Nut M4	2	2

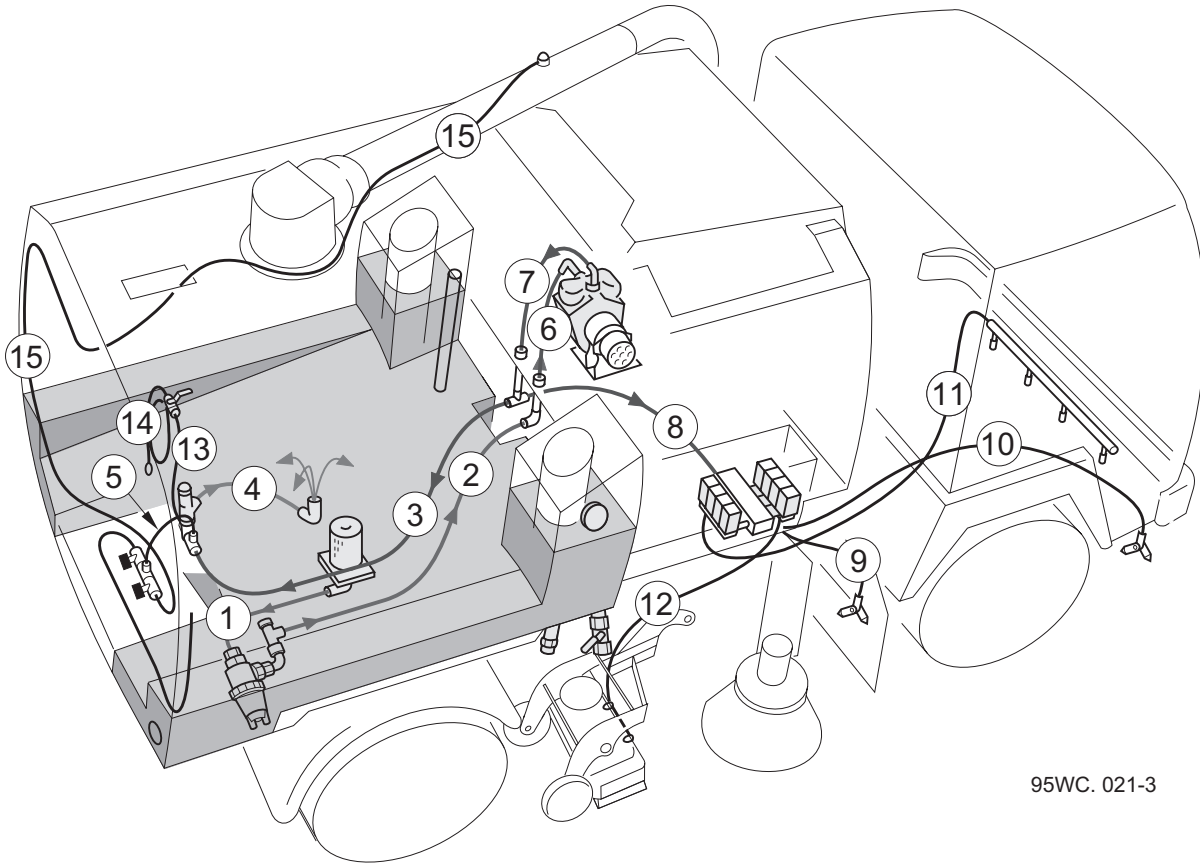
CHAPTER

30

Water System

Table of Contents

Section	Page
Diagrams	
Circuit Diagrams - See Chapter 10	
Hoses	
Water Hoses - Basic System	30 : 2
Low Pressure Pump	
Pump Assembly	30 : 4
Pump Installation	30 : 6
Pump Hydraulic Manifold	30 : 8
Control Valves	
Solenoid Valve Assembly	30 : 10
Valves and Manifold - Single Sweep	30 : 11
Valves and Manifold - Dual Sweep	30 : 12
Filters	
Rear Water Filter	30 : 13
Water Filter Sub-Assembly	30 : 14
Relief Valve	
Relief Valve Installation	30 : 15
Relief Valve Assembly	30 : 16
Washdown Hose	
Washdown Hose	30 : 17
Supawash Option	30.SW : 1

Water Hoses - Basic System


95WC. 021-3

BoM 950714 - Subframe Services

Item No.	Part No.	Description	Quantity
1	497-H24	Hose 1 1/2"	1.5m
	501-4	Hose Clip	2
2	6117	Hose 1"	2.0m
	501-4	Hose Clip	2
	24-1	Cable Tie	3
3	497-H12	Hose 3/4"	2.5m
	501-3	Hose Clip	2
	24-1	Cable Tie	4
4	497-H12	Hose 3/4"	1.2m
	501-3	Hose Clip	2
5	6111	Hose 1/2"	0.4m
	501-2	Hose Clip	2

Water Hoses - Basic System

BoM 950512 - Powapak Tub

Item No.	Part No.	Description	Quantity
6	6117	Hose 1" - Pump Suction	0.7m
	501-4	Hose Clip	2
	24-1	Cable Tie	2
7	497-H12	Hose 3/4" - Pump Feed	0.5m
	501-3	Hose Clip	2
8	497-H12	Hose 3/4"	1.0m
	501-3	Hose Clip	2

BoM 951220 - C.B. Installation, See Chapter 24

9	39444	Hose 3/8" - R.H. Brush Spray (Shown)	3.0m
	501-1	Hose Clip	2
	39444	Hose 3/8" - L.H. Brush Spray	5.0m
	501-1	Hose Clip	2
10	39444	Hose 3/8" - R.H. Gutter Spray (Shown)	6.2m
	501-1	Hose Clip	2
	39444	Hose 3/8" - L.H. Gutter Spray	11.3m
	501-1	Hose Clip	2

BoM 951020 - W.S.B. Installation, See Chapter 26

11	39444	Hose 3/8"	5.0m
	501-1	Hose Clip	2

BoM 951120 - Nozzle Installation, See Chapter 25

12	39444	Hose 3/8" - R.H. Nozzle Sprays (Shown)	5.0m
	501-1	Hose Clip	2
	39444	Hose 3/8" - L.H. Nozzle Sprays	8.0m
	501-1	Hose Clip	2

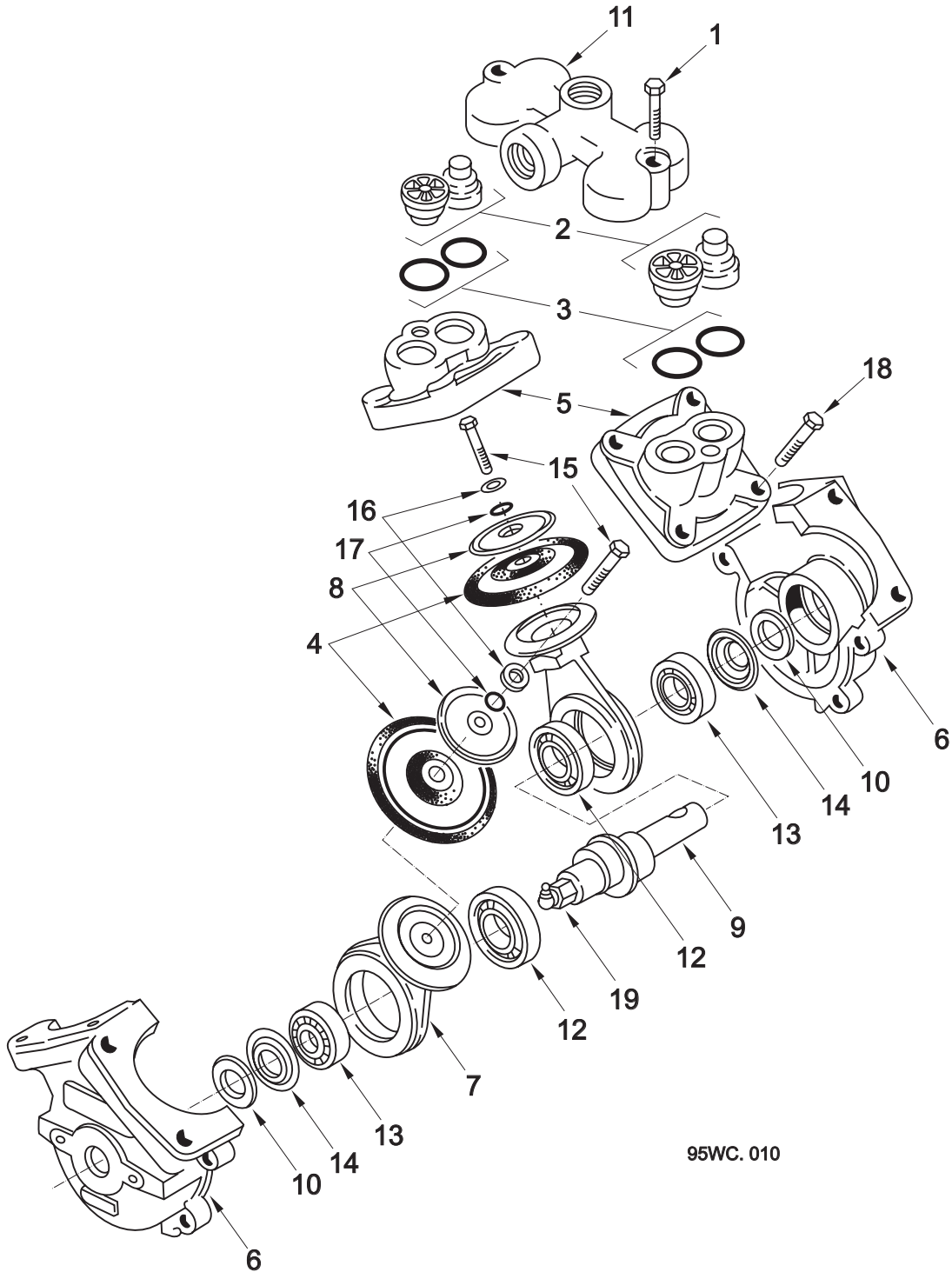
Drg. 807839 - Washdown Hose, See this Chapter

13	6111	Hose 1/2"	1.0m
	501-2	Hose Clip	2
14	6111	Hose 1/2"	6.0m
	501-2	Hose Clip	2

BoM 951330 - Wanderhose Installation, See Chapter 27

15	39444	Hose 3/8"	7.0m
	501-1	Hose Clip	2

Pump Assembly



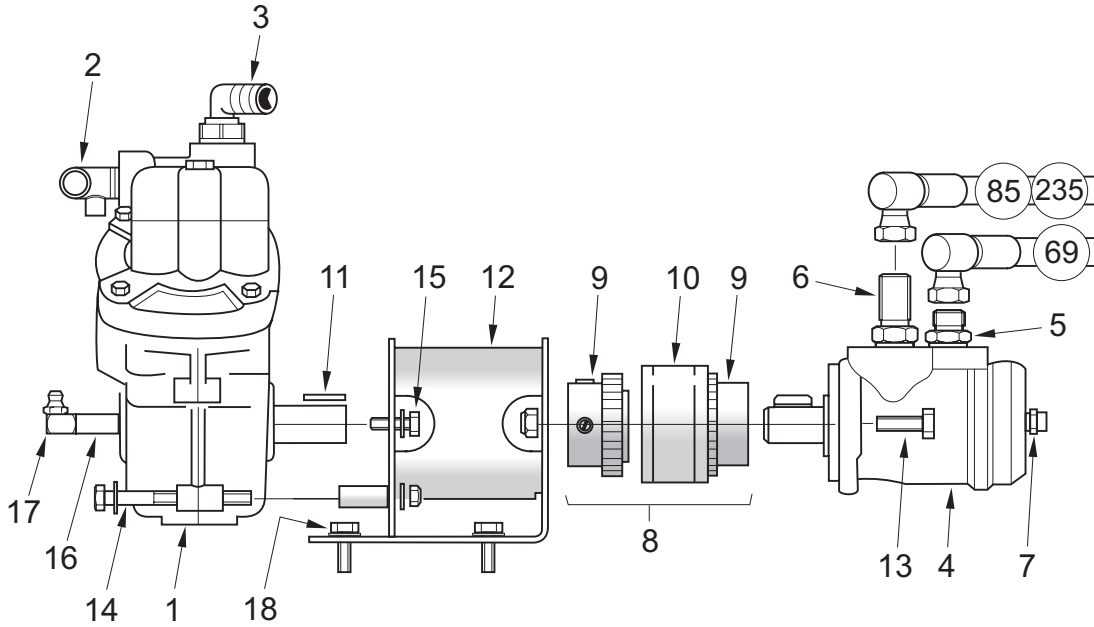
95WC. 010

Pump Assembly

Item No.	Part No.	Description	Quantity
	22599-1	Water Pump Assembly comprising:	
1	15824-2	Bolt	4
2	15824-3	Valve Assembly	4
3	15824-4	'O' Ring	4
4	15824-5	Diaphragm	2
5	15824-7	Cylinder Head	2
6	15824-8	Crankcase	1 Pair
7	15824-9	Connecting Rod	2
8	15824-10	Tension Pad	2
9	22599-2	Crankshaft	1
10	15824-12	Felt Ring	2
11	15824-13	Manifold	1
12	14-18	Bearing - Connecting Rod	2
13	14-32	Bearing - Crankshaft	2
14	15824-16	Dust Cover	2
15	15824-17	Bolt - Tension Pad	2
16	15824-18	Washer	2
17	15824-19	'O' Ring	2
18	15824-2	Bolt	8
19	-	See Pump Installation over page	-
	15824-6	Repair Kit comprising items 2, 3 and 4	

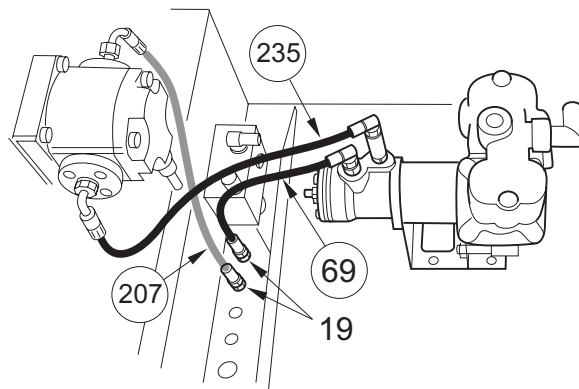
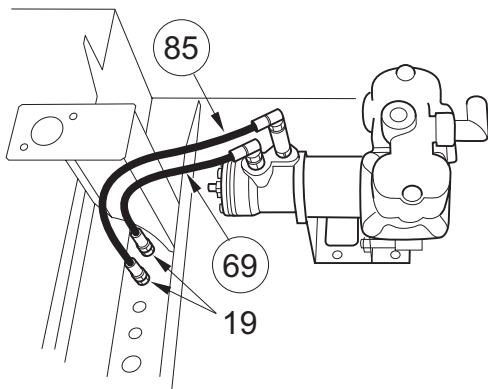
Notes

Low Pressure Pump Installation



VT HYDRAULIC HOSE ROUTING

VS HYDRAULIC HOSE ROUTING



95WC. 009-8

> **Note:** The Pump Low Water By-pass Valve option is covered in the Water System Section (35.WS) of Chapter 35.

Low Pressure Pump Installation

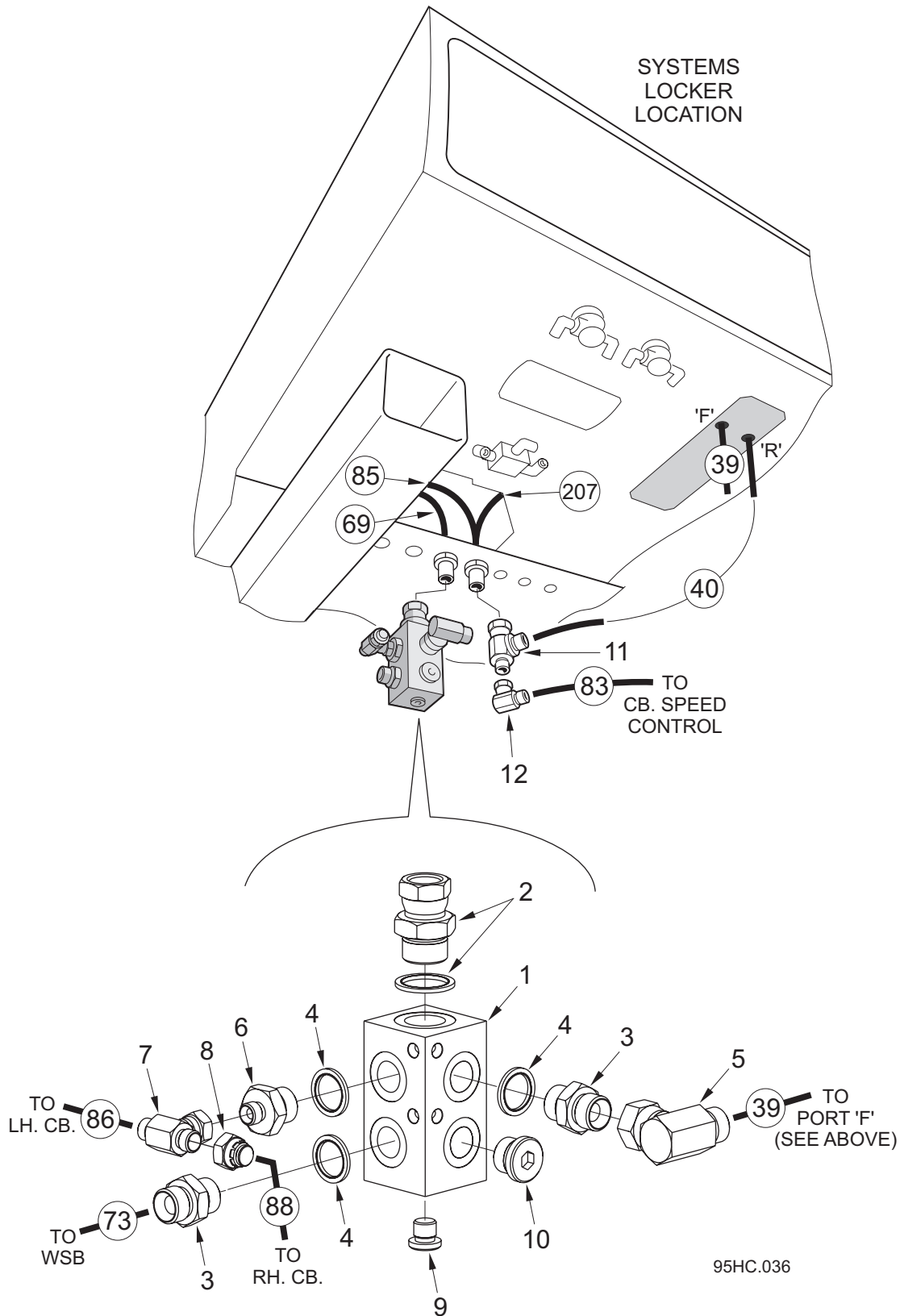
BoM 950512

Item No.	Part No.	Description	Quantity
	282812-2	Water Pump Assembly comprising:	
1	22599-1	Water Pump	1
2	49827-1	Elbow	1
3	277-231	Elbow	1
4	244-10	Hydraulic Motor OMP 32	1
	244-500	Motor Seal Kit	
	11879	Key	
5	263-4	Adaptor 1/2"	1
	451-126	Copper Washer - Sealing 1/2"	1
6	264-22	Adaptor 1/2" Extended	1
	451-126	Copper Washer - Sealing 1/2"	1
7	518-8	Adaptor 1/4" x Ø8	1
8	282809-1	Drive Coupling comprising:	1
9	282809-2	Drive Coupling) Spares	2
10	282809-3	Drive Coupling - Sleeve) Items	1
11	282817-1	Key	1
12	282811-1	Mounting Bracket	1
13	124-207	Screw M12 x 40	2
	455-12	Washer Ø12	2
	425-16	Nut - Nyloc M12	2
14	123-118	Bolt M8 x 90	2
	455-10	Washer Ø8	4
	425-14	Nut - Nyloc M8	2
15	124-169	Screw M10 x 25	2
	460-11	Washer - Spring M10	2
	455-11	Washer - Plain M10	2
16	95780-1	Adaptor	1
17	38-8	Grease Nipple 1/8" x 90°	1
18	124-137	Screw M8 x 25	4
	455-10	Washer Ø8	4
19	264-4	Bulkhead Adaptor 1/2" BSP	2
	410-80	Backnut 1/2" BSP	2
† 69	HC08003-40	Hydraulic Hose 1/2") See	1
† 85	HC08003-45	Hydraulic Hose 1/2" - VT Only) Manifold	1
† 207	-	See Fan Tub Hoses Chapter 22.HI - VS Only) over	
† 235	HC08002-91	Hydraulic Hose 1/2" - VS Only) page	1

Notes

> † Hose item numbers correspond with those in hydraulic diagrams SH522z01, SH523z01 and SH534z01 in Chapter 8 of the Maintenance Section.

Hydraulic Manifold - L.P. Water Pump



Hydraulic Manifold - L.P. Water Pump

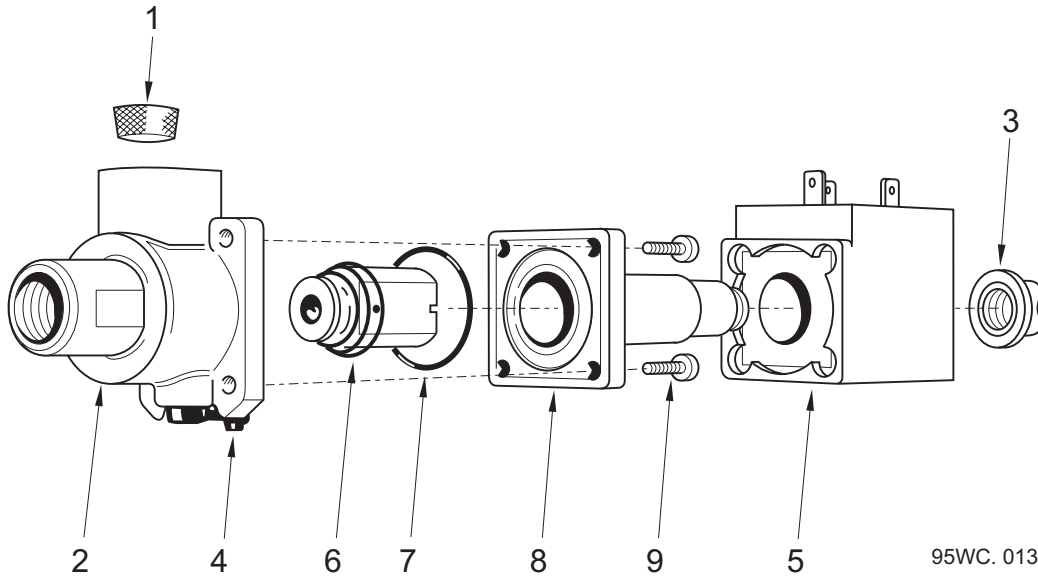
BoM 950512

Item No.	Part No.	Description	Quantity
	283533-1	Manifold Assembly comprising items 1 to 10	
1	281548-1	Manifold	1
2	252-16	Swivel Adaptor	1
	451-21	Washer - Sealing 3/4" BSP	1
3	263-4	Adaptor 1/2" BSP	2
4	451-19	Washer - Sealing 1/2" BSP	2
5	262-4	Swivel Elbow 1/2" BSP	1
6	265-100	Restricting Adaptor Ø 0.8	1
7	255-2	Swivel Tee 1/4" BSP	1
8	68-19	Blanking Cap - L.H. Single Only	1
9	54-2	Collar Plug 1/4" BSP	1
10	54-4	Collar Plug 1/2" BSP	1
11	277-56	Swivel Tee 1/2" x 1/2" x 3/8" BSP	1
12	262-3	Swivel Elbow 3/8" BSP	1

Hoses

69, 85, 207	See Previous Page
39, 73	See WSB Hydraulic Hoses Chapter 26
40, 83, 86, 88	See CB Hydraulic Hoses Chapter 24

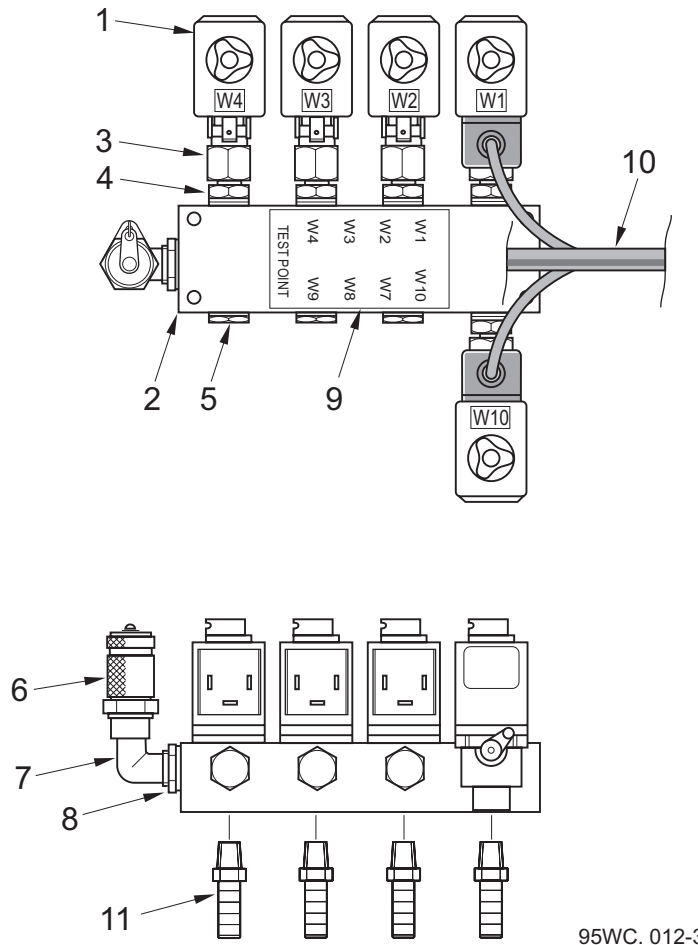
Notes

Solenoid Valve Assembly


95WC. 013

Item No.	Part No.	Description	Quantity
	281372-1	Water Valve Assembly 12v	
	281372-2	Water Valve Assembly 24v	
		Each comprising:	
1	13170	Filter	1
2	NSS	Base	1
3	281372-5	Lock Nut	1
4	40664-13	Lever Kit comprising: Lever, 'O' Ring and Circlip	
5	281372-12	Coil 12v	1
	281372-24	Coil 24v	1
6	NSS	Armature	1
7	NSS	'O' Ring	1
8	NSS	Armature Housing	1
9	NSS	Setscrews	4
	281372-3	Overhaul Kit comprising items 1, 2, 4, 6, 7, 8 and 9	
	281372-4	Seal Kit comprising items 6 and 7	

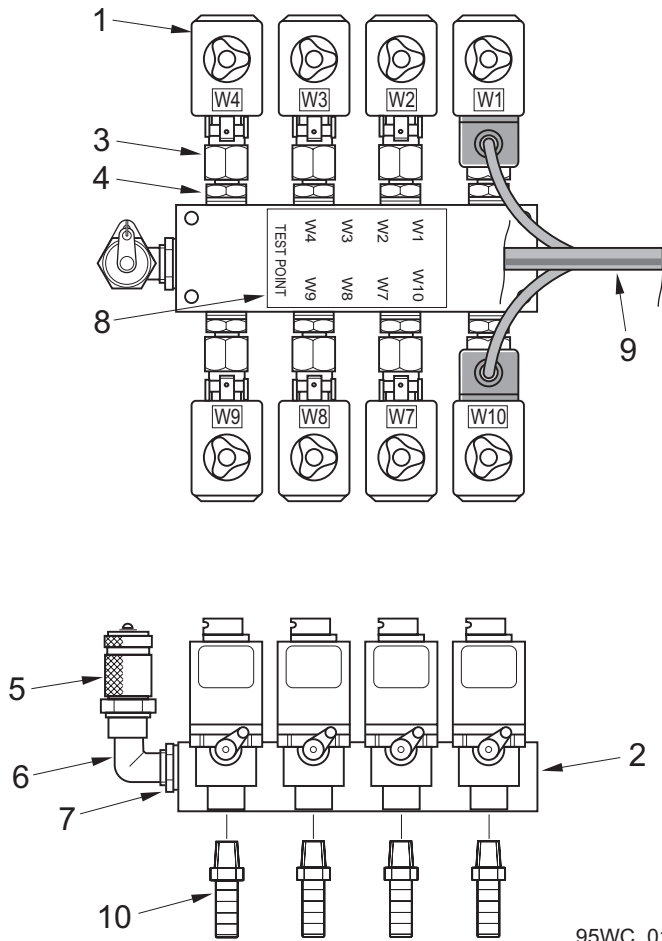
Valves and Manifold - Single Sweep



95WC. 012-3

Item No.	Part No.	Description	Quantity
	283861-12	Water Manifold Assembly - Single Sweep 12v	
	283861-24	Water Manifold Assembly - Single Sweep 24v	
1	281372-1	Valve 12v N.C.	5
	281372-2	Valve 24v N.C.	5
2	283528-1	Manifold	1
3	601-11	Adaptor 1/4"	5
4	601-10	Stem Adaptor 1/4"	5
5	54-14	Plug 1/4"	3
6	665-26	Test Point	1
7	72-60	Elbow 1/4"	1
8	559-110	Reducer 3/8" x 1/4"	1
9	283629-1	Label	1
10	-	Main Loom - See Chapter 31	
11	-	Hose Tail	5

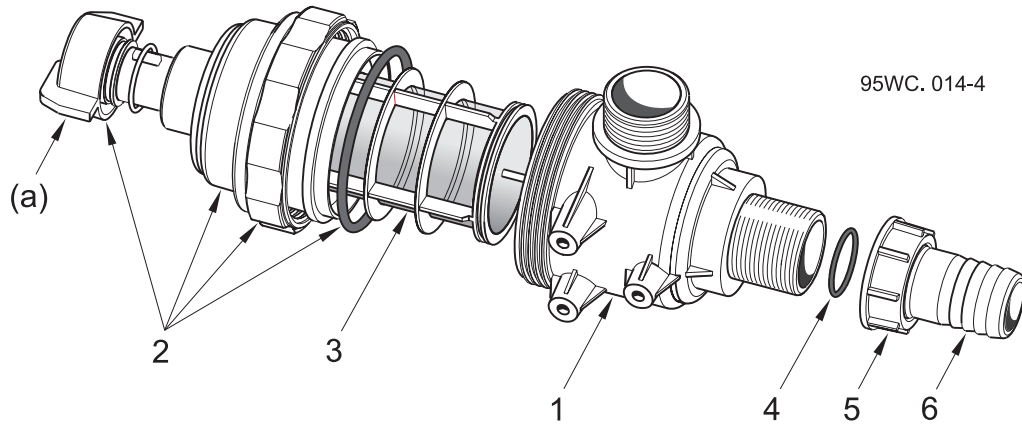
Water Valve and Manifold - Dual Sweep



95WC. 011-3

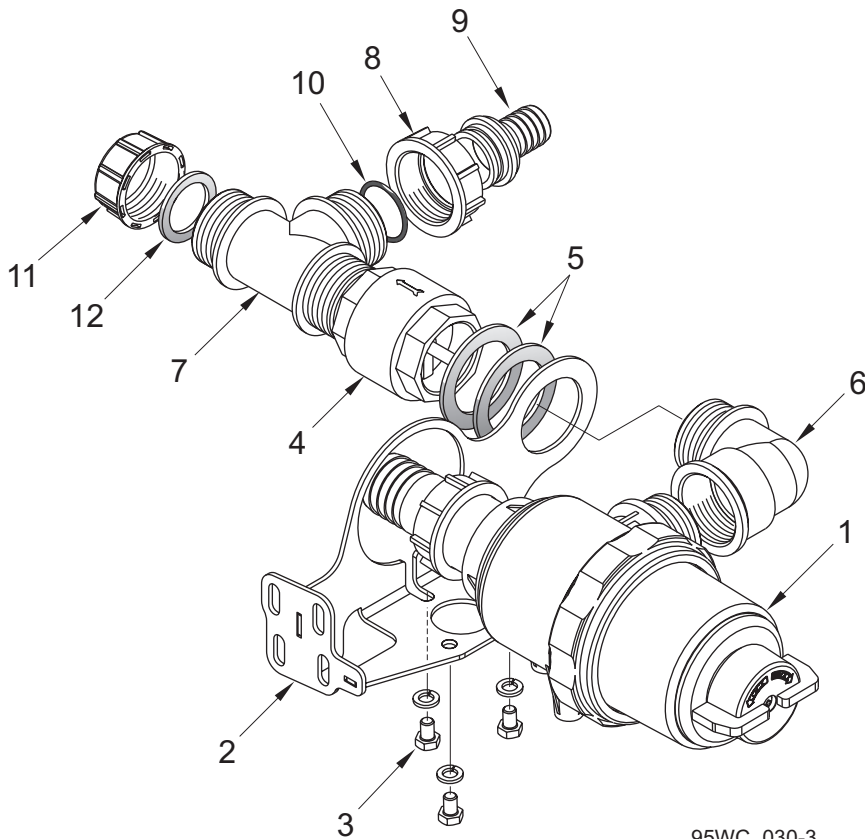
Item No.	Part No.	Description	Quantity
	221499-12	Water Manifold Assembly - Dual Sweep 12V	
	221499-24	Water Manifold Assembly - Dual Sweep 24V	
1	281372-1	Valve 12v N.C.	8
	281372-2	Valve 24v N.C.	8
2	283528-1	Manifold	1
3	601-11	Adaptor 1/4"	8
4	601-10	Stem Adaptor 1/4"	8
5	665-26	Test Point	1
6	72-60	Elbow 1/4"	1
7	559-110	Reducer 3/8" x 1/4"	1
8	283529-1	Label	1
9	-	Main Loom - See Chapter 31	
10		Hose Tail	8

Rear Water Filter



Item No.	Part No.	Description	Quantity
	281750-20	Water Filter Assembly comprising items 1 to 6:-	
1	277-181	Body	1
2	277-185	Bowl - Red Plug (a)	1
3	277-247	Mesh - Grey (200 Micron)	1
4	277-171	'O' Ring	2
5	277-170	Flynut	2
6	277-183	Hose Tail - Straight Ø38	1

Notes

Water Filter Sub- Assembly


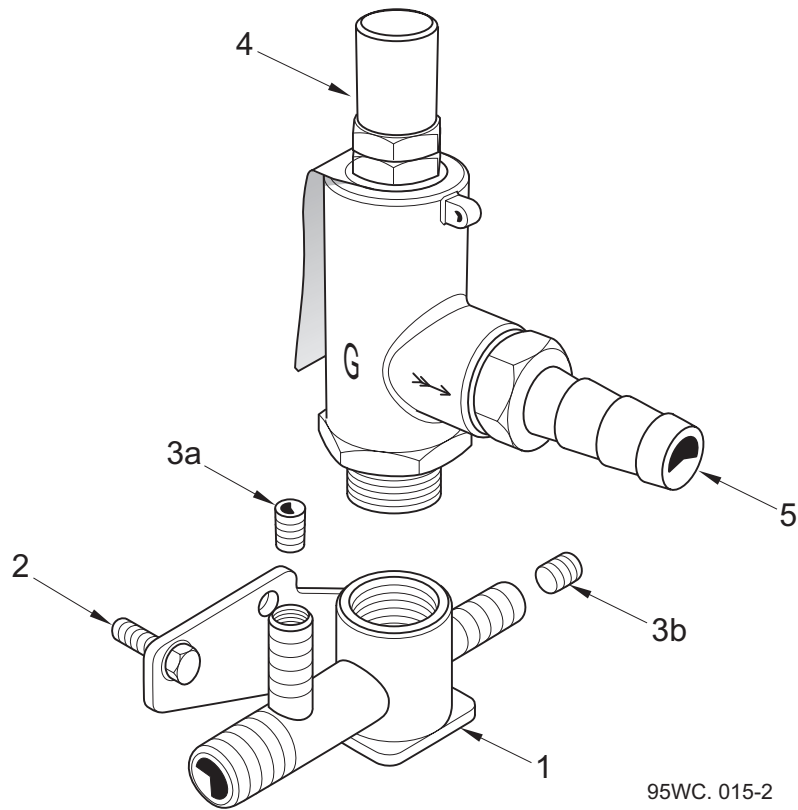
95WC. 030-3

BoM 950714

Item No.	Part No.	Description	Quantity	
>	* 293979-1	Filter Sub-Assembly comprising items 1 to 12:-		
	1	-		
>	2	293976-1	Bracket	1
	3	124-132	Screw M8 x 12	3
		460-10	Washer - Spring	3
	4	277-260	Check Valve	1
	5	277-214	Gasket	2
	6	277-261	Elbow	1
	7	277-215	Tee	1
	8	277-170	Flynut	1
	9	277-169	Hose Tail Straight Ø25	1
	10	277-171	'O' Ring	1
	* 11	277-203	Blanking Cap	1
	* 12	277-262	Gasket	1

> * Assembly 293979-2 is available without items 11 and 12 which are not required with Supawash.

Safety Relief Valve Installation



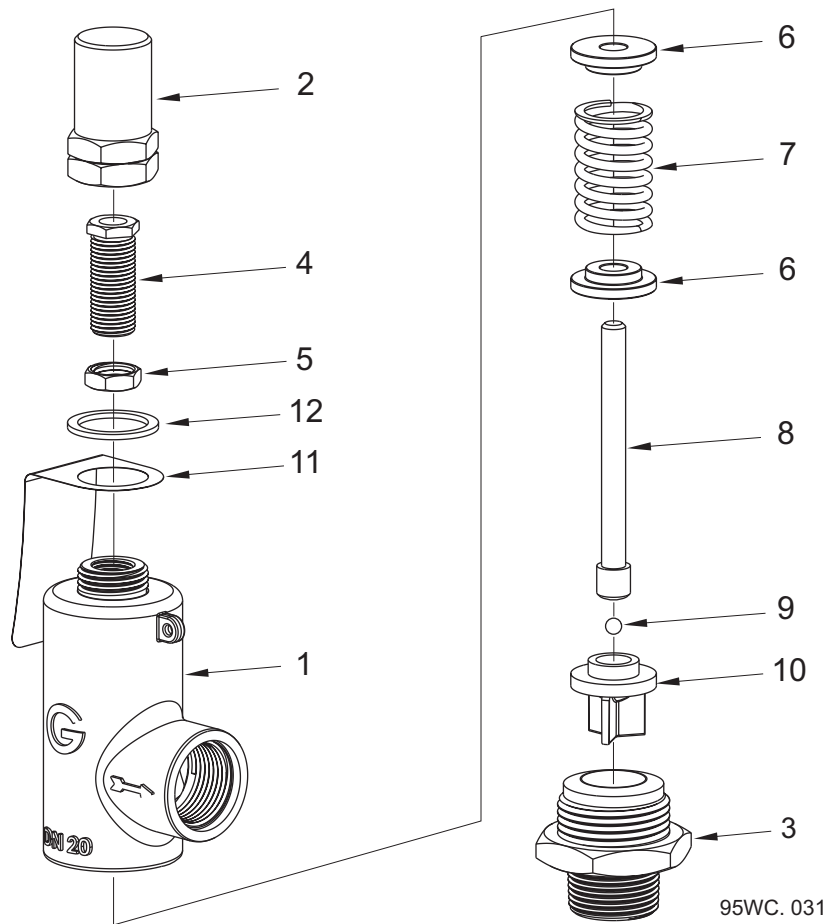
95WC. 015-2

Subframe Services BoM 950714

Item No.	Part No.	Description	Quantity
1	281075-1	Manifold	1
2	124-134	Screw M8 x 16	2
	460-10	Washer - Spring Ø8	2
3a	5259	Plug - Used when Wanderhose/Littasnatch is not fitted	1
3b	5259	Plug - Used to blank off washdown port when Supawash is fitted	1
4	284150-1	Relief Valve - See over page	1
> 5	277-297	Hose Adaptor 3/4" BSP	1
	451-21	Washer - Sealing 3/4" BSP	1

Note

Relief Valve item 4, shown above and on the next page, has replaced the previous valve pt. no. 3698-11 which is no longer available. Both valves are interchangeable. Refer to Technical Bulletin TB 1423 for the introduction of this current valve.

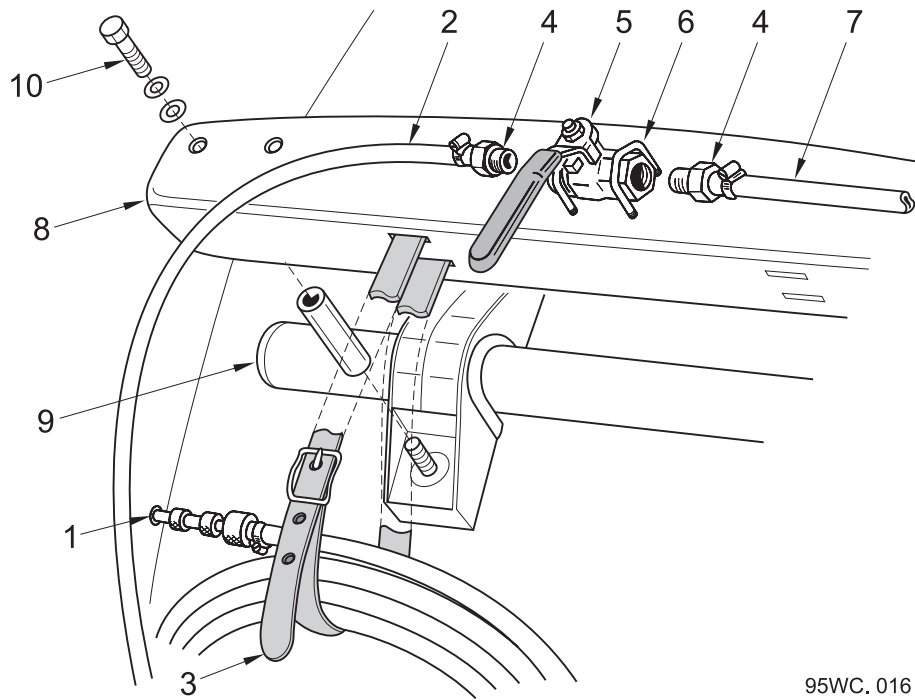
Safety Relief Valve Assembly

BoM 950714

Item No.	Part No.	Description	Quantity
	284150-1	Relief Valve Assembly comprising:	1
1	284150-2	Body	1
2	284150-3	Dome Top	1
3	284150-4	Base	1
4	284150-5	Adjusting Screw	1
5	284150-6	Locknut	1
6	284150-7	Spring End Plate	2
7	284150-12	Spring	1
8	284150-8	Spindle	1
9	284150-9	Ball	1
10	284150-10	Valve	1
11	284150-11	Label	1
12	284150-13	Washer	1

Note

For the introduction of this valve see the note on the previous page.

Washdown Hose - Not fitted with Supawash Option



95WC. 016

Item No.	Part No.	Description	Quantity
1	6137	Spray Nozzle	1
2	6111	Hose 1/2" Bore	6m
	501-2	Hose Clip	2
3	3786	Strap and Buckle	1
4	41006-1	Hose Adaptor	2
5	89-1	Valve 3/8" BSP	1
> * 6	6105-1	'U' Bolt	2
	455-8	Washer - Plain	4
	425-13	Nut - Nyloc M6	4
7	6111	Hose 1/2" Bore x 1m	1
	501-2	Hose Clip	2
* 8,9,10	-	See notes below	

Notes

* Items 8,9,10 - valve mounting and hose stowage are chassis dependant. Contact the Johnston Parts Department, quoting the machine serial number, for further information.

> These parts, plus item 6, are not supplied with a standard ESU.

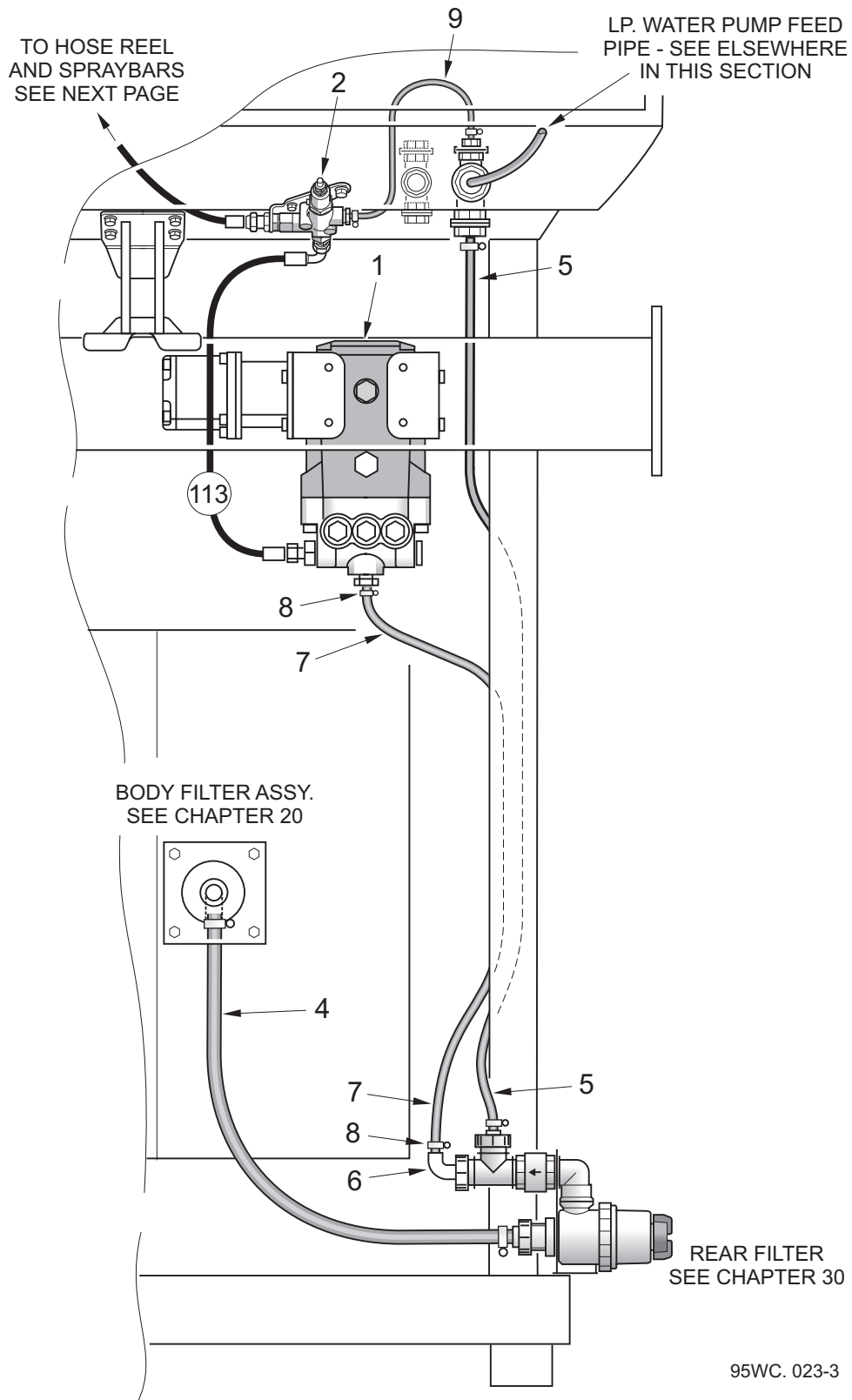
30.SW

Mk II Supawash Option

Table of Contents

Section	Page
Circuit Diagram and Hoses	
Circuit and Hoses - Feed and Bypass	30.SW : 2
Circuit and Hoses - Hose Reel and Spraybars	30.SW : 4
Circuit Diagram - Schematic	30.SW : 6
Pump Installation	
Pump Installation - 1" Water Feed Pipe Assembly	30.SW : 7
Pump and Unloader Installation	30.SW : 8
Hose Reel Installations	
L.H. V 605, 650 - Iveco 13 and 15 Tonne Chassis	30.SW : 12
L.H./R.H. V 605, 650 - Most Other Chassis	30.SW : 14
L.H. V 800 - Most Chassis	30.SW : 16
Spraybar Installations	
Front Spraybar	30.SW : 18
Nozzle Spraybar	30.SW : 19
Recirculating Option Backflush	30.SW : 20
Supawash Extended Operation	
Hopper Filter Strainer Option	30.SW : 21
Detergent Injection Option	
Supawash Detergent Injection System	30.SW : 22

Circuit and Hoses - Feed and Bypass



Circuit and Hoses - Feed and Bypass

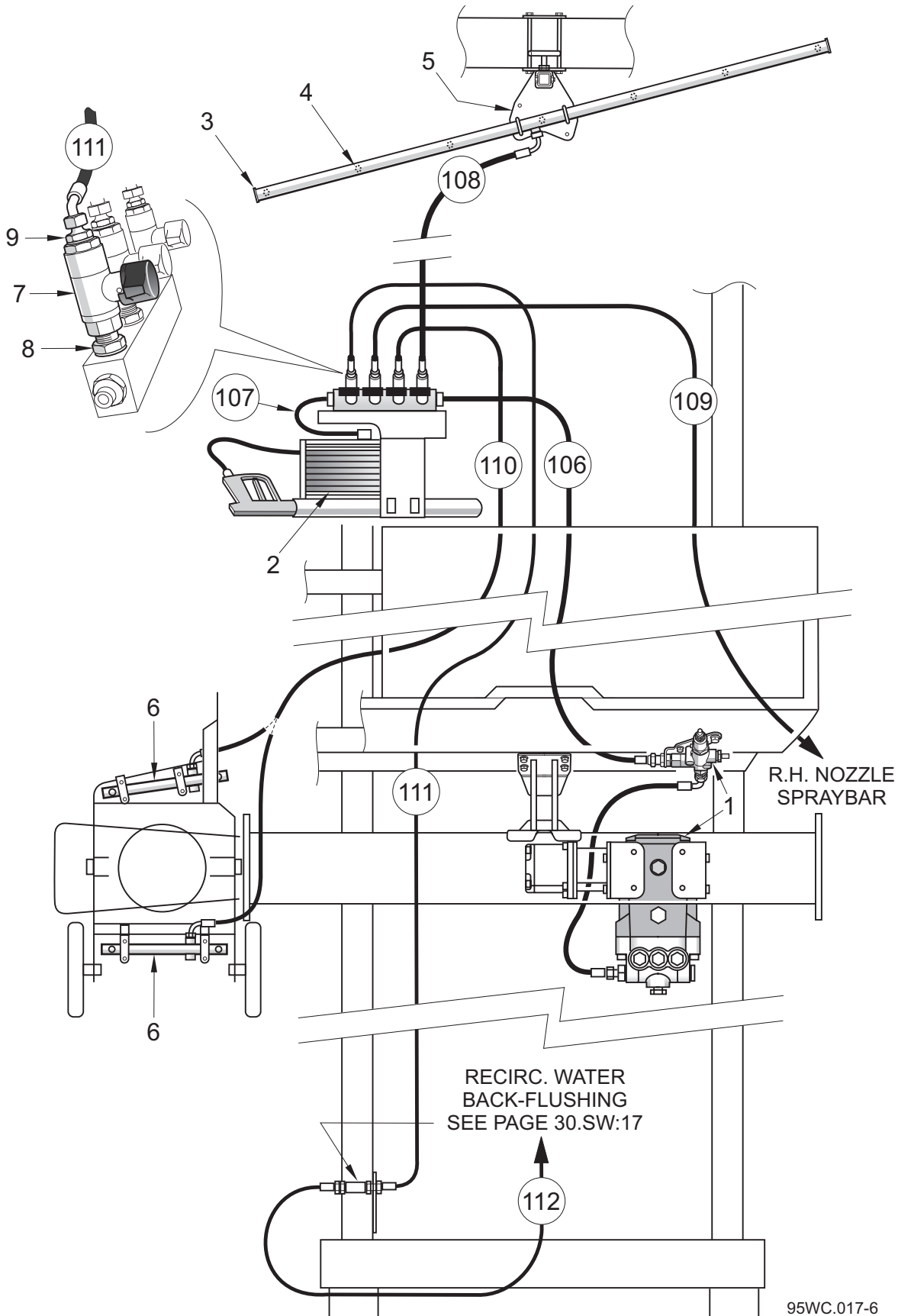
BoM KT00195

Item No.	Part No.	Description	Quantity
1, 2	-	Pump and Unloader - See Page 30.SW:8	
3	-	-	
4	-	See Chapter 30 - Water Hoses, Item 1	
5	-	See Chapter 30 - Water Hoses, Item 2	
6	277-244	Hose Tail 90° x 1" Elbow	1
	277-170	Flynut 1 1/2" BSP	1
7	6117	Hose 1" NB x 1.5m	1
8	501-4	Hose Clip	2
9	6111	Hose 1/2" NB x 0.5m	1
	501-2	Hose Clip	2
* 113	HCO8002-95	Hydraulic Hose 1/2" BSP	1

Notes

* Hose item number corresponds with that on Supawash diagram SW513a02 elsewhere in this section.

Circuit and Hoses - Hose Reel and Spraybars



Circuit and Hoses - Hose Reel and Spraybars

BoM KT00195 - Supawash Pump

Item No.	Part No.	Description	Quantity
1	-	Pump and Unloader - See Page 30.SW:8	

BoM KT06195 - Hose Reel

2	-	Hose Reels - See Pages 30.SW:12 to 16	
106	HC08002-320	Hydraulic Hose 1/2" BSP - V 605, 650, 800	1
107	HC06043-51-190	Hydraulic Hose 3/8" BSP - V 605, 650	1
	HC06002-51-30	Hydraulic Hose 3/8" BSP - V 800	1

BoM KT05995 - Front Spraybar

3	282466-1	Front Spraybar	1
4	21-31	Spray Jet	7
> 5	-	Front Spraybar Installation - See Page 30.SW:18	
108	HC08002-372	Hydraulic Hose 1/2" BSP	1

BoM KT02595 - Nozzle Spraybars

> 6	-	Nozzle Spraybar Installation - See Page 30.SW:20	
109	HC06002-400	Hydraulic Hose 3/8" BSP	1
110	HC06002-320	Hydraulic Hose 3/8" BSP	1

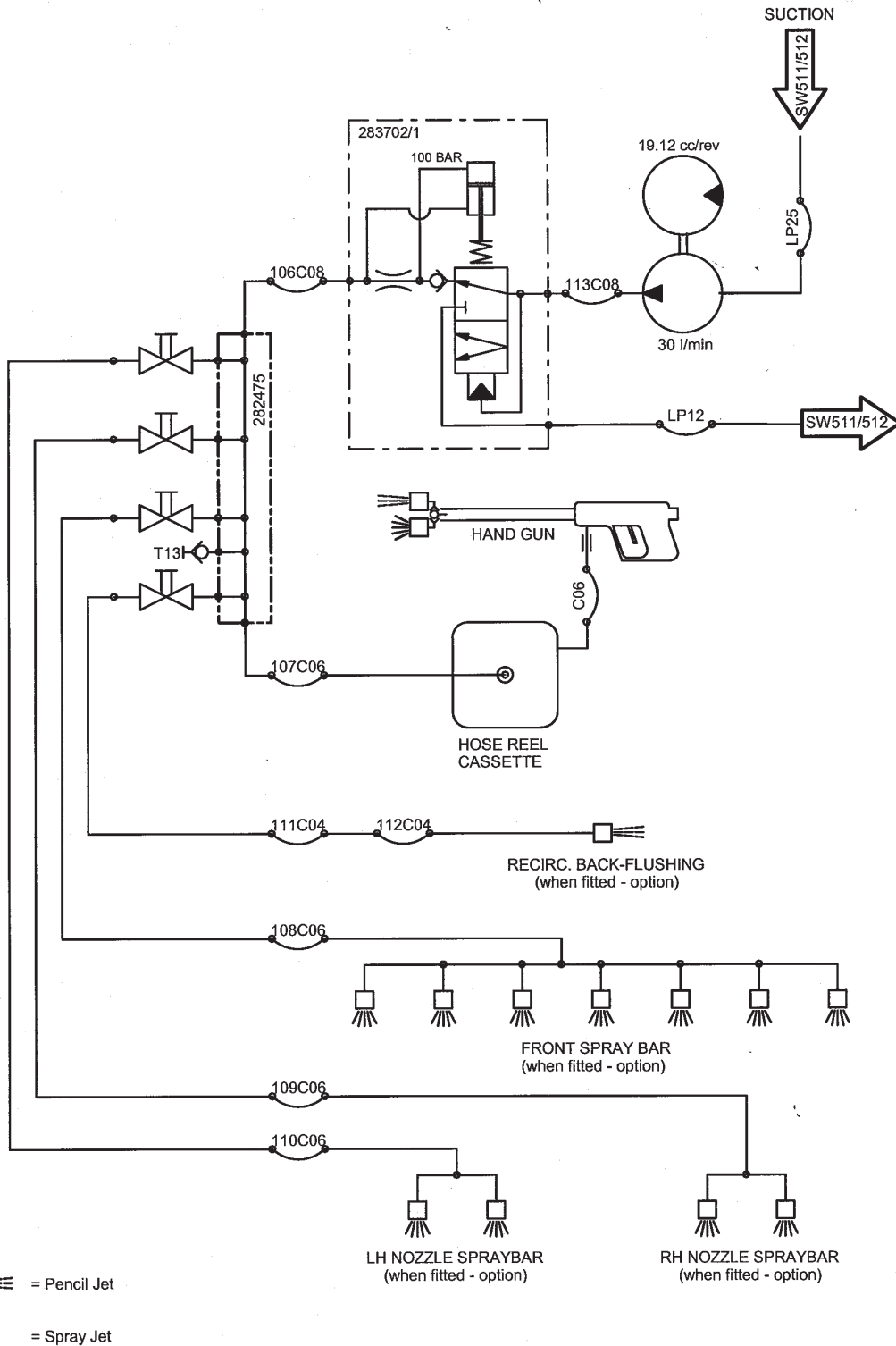
BoM KT05895 - Recirc. Backflushing

}	7	88-33	Valve 1/2" BSPF	1
	8	266-4	Adaptor 1/2" BSP x 1/2" BSPT	1
		451-19	Washer - Sealing 1/2" BSP	1
	9	265-3	Adaptor 1/2" x 1/4" BSP	1
		451-19	Washer - Sealing 1/2" BSP	1
111	HC04001-454	Hydraulic Hose 1/4" BSP	1	
112	HC04002-290	Hydraulic Hose 1/4" BSP	1	

Notes

Hose item numbers correspond with those on Supawash diagram SW513a02 on the next page.

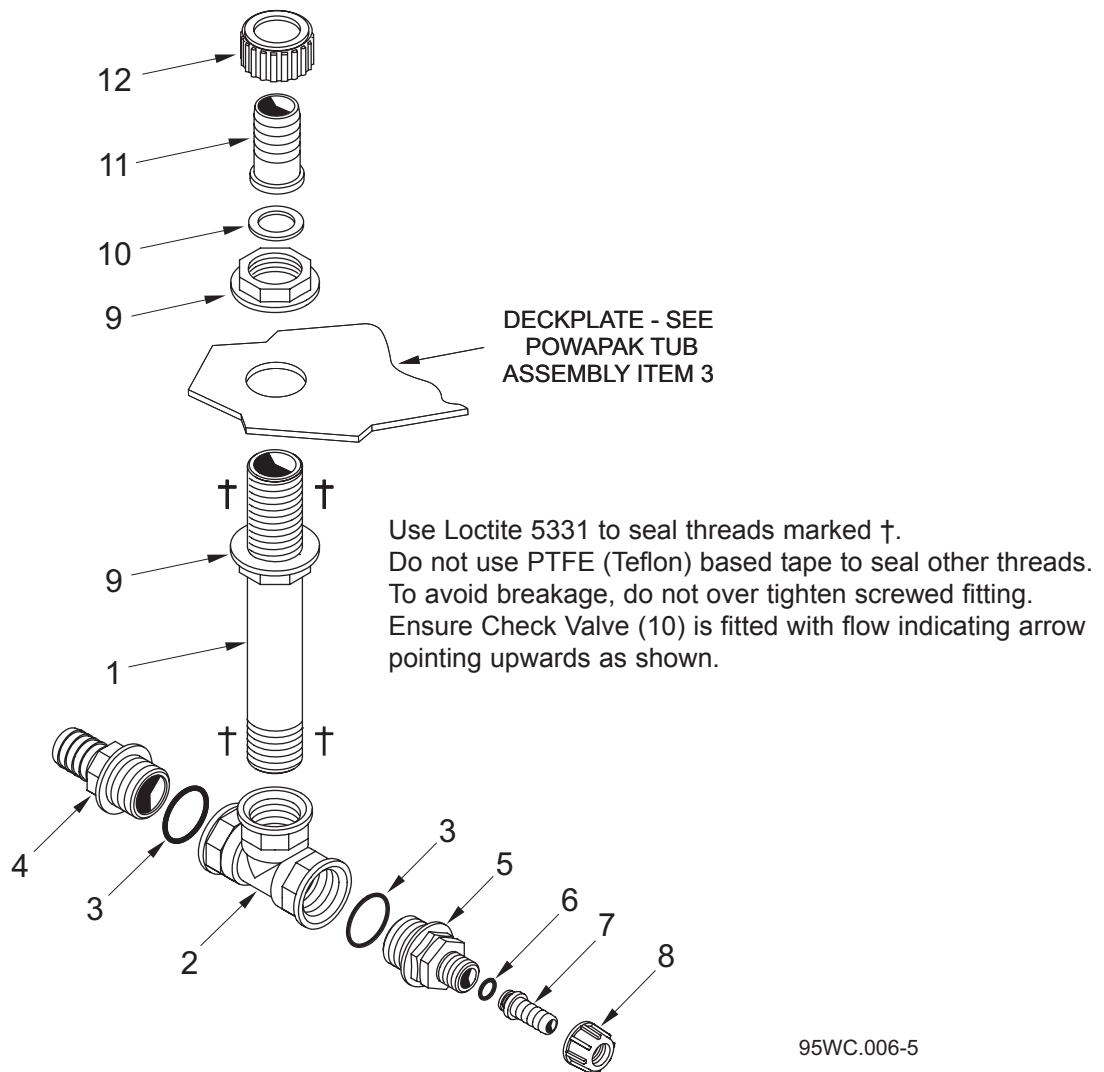
Circuit Diagram SW513a02



ED22839

	VT/VS Range	Supawash	RD-20/10/06	SW513a02	00
--	-------------	----------	-------------	-----------------	----

1" Water Pump Feed Pipe Assembly

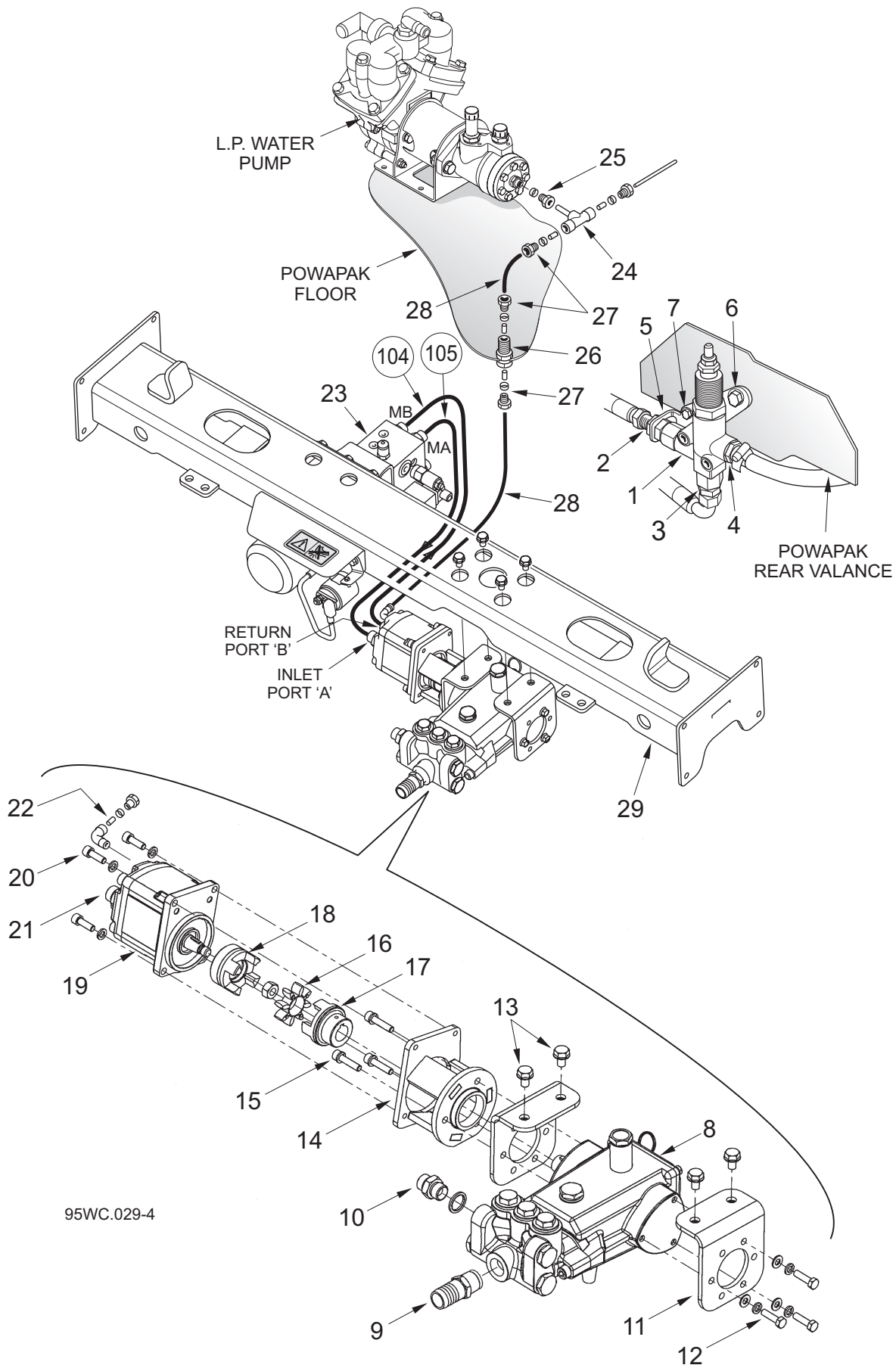


95WC.006-5

BoM KT00195

Item No.	Part No.	Description	Quantity
	283793-1	1" Pump Feed Pipe Assembly for Supawash	
1	281667-1	Pipe - Water 1"	1
2	277-128	Tee 1" BSP	1
3	277-149	'O' Ring	2
4	277-125	Hosetail 1" BSP / 1" NB Hose	1
5	277-216	Reducer 1" x 1/2" BSP	1
6	277-220	'O' Ring	1
7	277-217	Hosetail	1
8	277-218	Flynut 1/2" BSP	1
9	277-165	Backnut 1" BSP	2
10	277-163	Gasket	1
11	277-161	Hosetail 1" BSP	1
12	277-162	Flynut 1" BSP	1

Supawash Pump and Unloader Installation



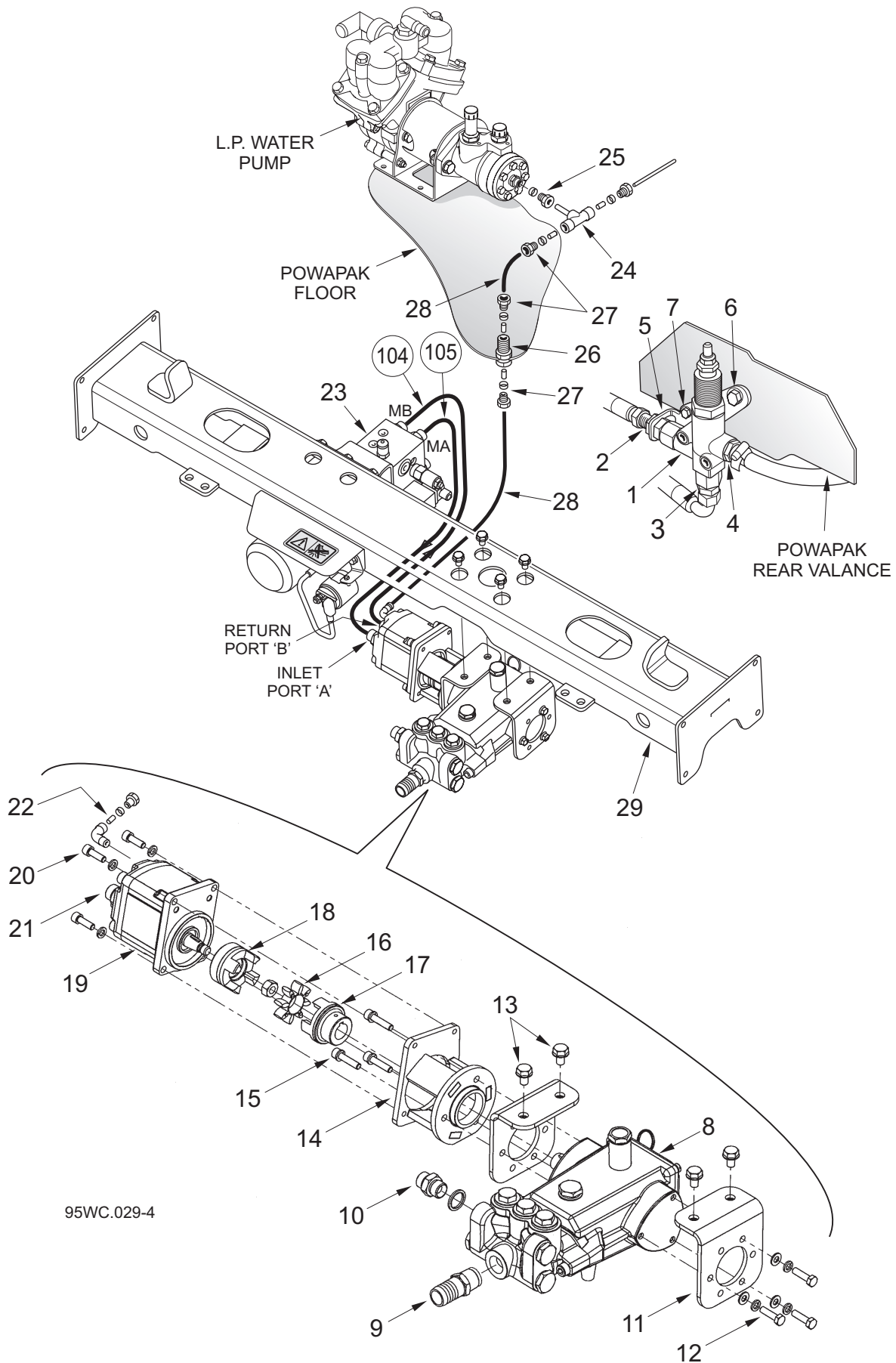
95WC.029-4

Supawash Pump and Unloader Installation

KT00195

Item No.	Part No.	Description	Quantity
	283700-1	Installation Drawing	
	283710-1	Unloader Assembly comprising items 1 to 7:-	
1	283702-1	Unloader	1
2	264-4	Bulkhead Adaptor 1/2" BSP	1
	451-19	Washer - Sealing Ø1/2"	1
3	263-4	Adaptor 1/2" BSP	1
	451-19	Washer - Sealing Ø1/2"	1
4	231-66	Hose Tail 1/2"	1
5	283804-1	Mounting Plate	1
6	124-171	Screw M10 x 30	1
	460-11	Washer - Spring Ø10	1
	455-11	Washer - Plain Ø10	1
7	124-139	Screw M8 x 30	1
	460-10	Washer - Spring Ø8	1
	455-10	Washer - Plain Ø8	1
>	283839-1	Pump Assembly Installation comprising items 8 to 22:-	
8	283701-1	Pump Assembly	1
	283701-10	Seal Kit)	
	283701-11	Valve Kit) Spares Items	
	283701-12	Ceramic Pipe)	
9	231-65	Hose Tail	1
10	263-4	Adaptor 1/2" BSP	1
	451-19	Washer - Sealing	1
11	283698-1	Mounting Foot	2
12	123-104	Bolt M8 x 30	3
	460-10	Washer - Spring Ø8	3
	455-10	Washer - Plain Ø8	3
13	125-185	Bolt - Flanged Head M10 x 16	4
14	283695-1	Bell Housing	1
> 15	129-129	Bolt - Cap Head M8 x 35	3
	283681-1	Drive Coupling comprising items 16 to 18:-	
16	283684-1	Spider	1
17	283682-1	Hub Ø22 Bore	1
18	283683-1	Hub - Taper Bore	1
> 19	244-15	Hydraulic Motor	1
> 20	129-125	Screw - Cap Head M8 x 25	4

Supawash Pump and Unloader Installation



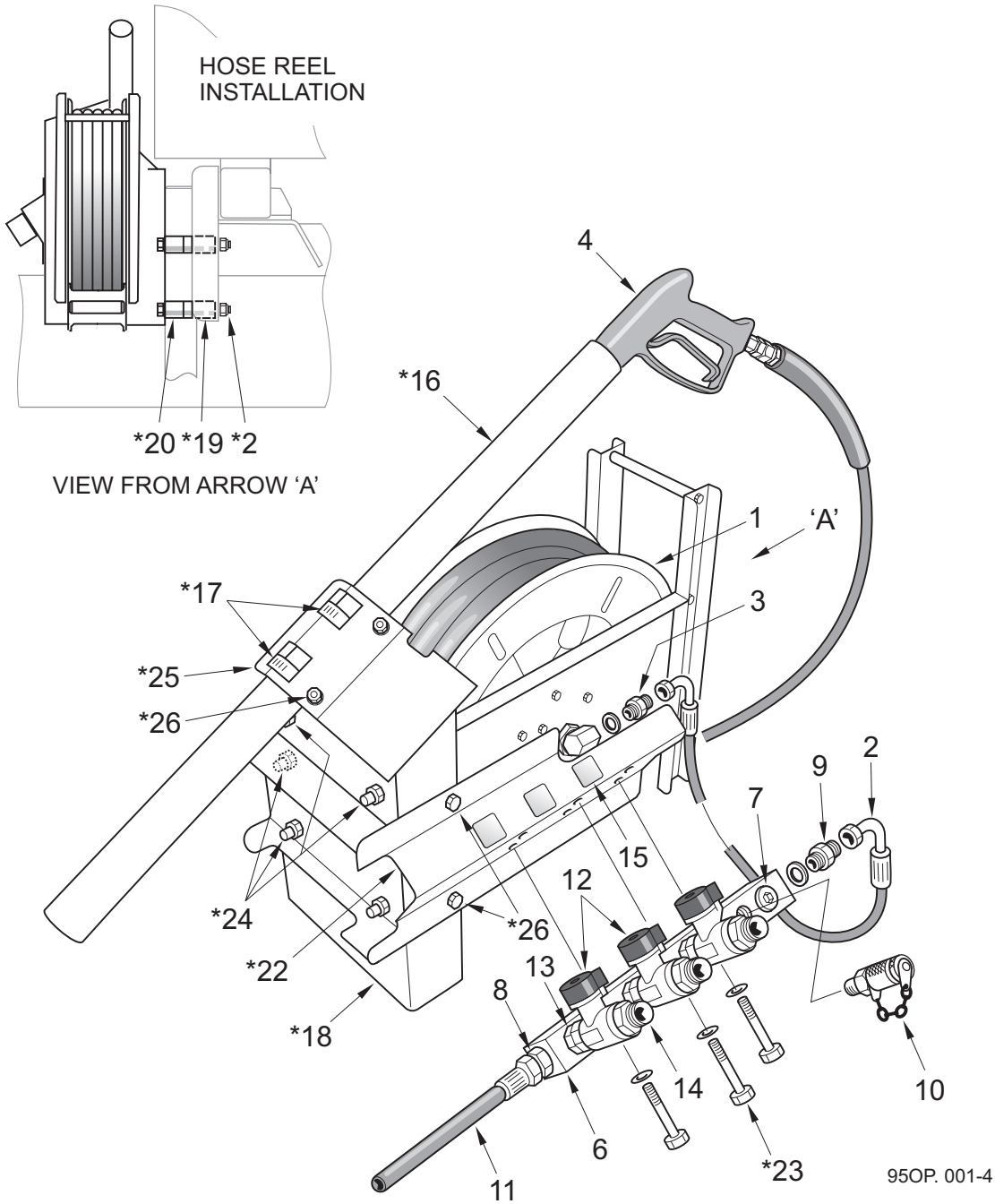
Supawash Pump and Unloader Installation

Item No.	Part No.	Description	Quantity	
21	263-4	Adaptor 1/2" BSP	2	
	451-19	Washer - Sealing	2	
22	521-8	Adaptor - Elbow Ø8	1	
	511-4	Olive Ø8	1	
	510-4	Tubing Nut	1	
	41038-1	Sleeve	1	
23	-	Valve Block - See Chapter 28, Tandem/Options Valve Block Installation		
}	24	532-23	Stem Tee Ø8	1
	25	511-4	Olive Ø8	1
		510-4	Tubing Nut	1
	26	532-4	Bulkhead Adaptor	1
		532-5	Locknut	1
	27	511-4	Olive Ø8	3
		510-4	Tubing Nut	3
		41038-1	Sleeve	3
	28	12870	Tube - Black Nylon Ø8	2
	BoM 950712			
>	29	283680-1	Subframe Crossmember - See Chapter 21	
	* 104	HCO8003-76	Hydraulic Hose 1/2"	1
	* 105	HCO8003-76	Hydraulic Hose 1/2"	1

Notes

* Hose item numbers 104 and 105 correspond with those in hydraulic diagram SH528a01 in chapter 8.

**Supawash Lance & Reel - V 605, 650, Left Hand Installation
Iveco 13 and 15 Tonne Chassis only**



Supawash Lance & Reel - V 605, 650, Left Hand Installation
Iveco 13 and 15 Tonne Chassis only

BoM KT 06195

Item No.	Part No.	Description	Quantity
1	667-49	Hose Reel	1
2	-	Hydraulic Hose - See item 107 on page 30.SW:4	1
3	263-3	Adaptor 3/8" BSP	1
	451-18	Washer - Sealing 3/8" BSP	1
4	21-71	Lance complete with Swivel Adaptor	1
5	-		
	282475-1	Manifold Assembly comprising items 5 to 9	
6	282229-1	Water Manifold	1
7	54-4	Collared Plug (Remove as Required - See item 11)	6
8	263-4	Adaptor 1/2" BSP	1
	451-19	Washer - Sealing 1/2" BSP	1
9	265-4	Adaptor 1/2" x 3/8" BSP	1
	451-19	Washer - Sealing 1/2" BSP	1
10	665-8	Test Point	1
11	-	Hydraulic Hose - See item 106 on page 30.SW:4	1
Valves and Decal Quantities, Items 11 to 14, depend on Supawash equipment fitted			
12	88-33	Valve 1/2" BSPF	As Req'd
13	266-4	Adaptor 1/2" x 1/2" BSPT	1 per Valve
	451-19	Washer - Sealing	1 per Valve
14	265-4	Adaptor 1/2" x 3/8" BSP	1 per Valve
	451-19	Washer - Sealing 1/2"	1 per Valve
15	-	Decals - See Chapter 34	
*16 - *26	-	See notes below	

Notes

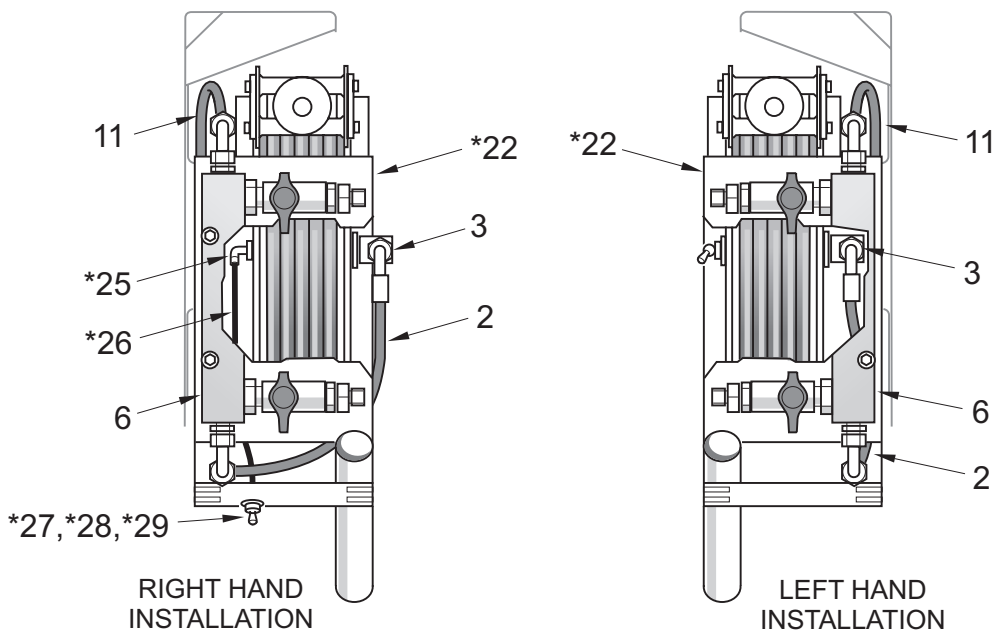
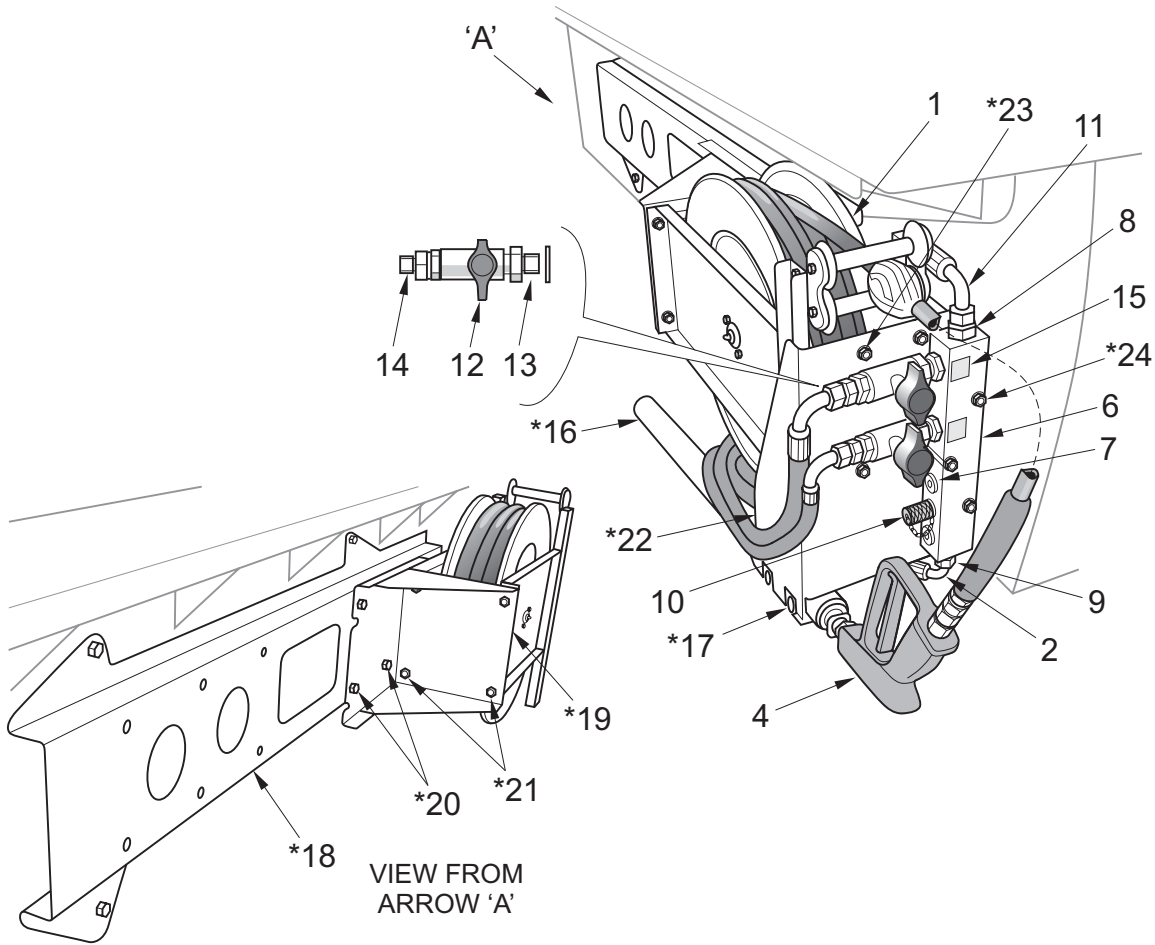
* Items 16 to 26 - Hose reel and hand lance installation parts are chassis related. Contact the Johnston Parts Department, quoting the machine serial number, for further information.

These parts are not supplied with standard ESU's.

Johnston reference drawings:

The relevant installation drawing can be found via the Chassis Drawing Matrix shown in chapter 33 page 33:2.

**Supawash Lance & Reel - V 605, 650, Multiuse Left and Right Hand Installations
Used on most chassis except Ivecos**



RIGHT HAND INSTALLATION LEFT HAND INSTALLATION
VIEWS SHOWN WITH ITEMS 19 AND 22 CUT AWAY FOR CLARITY 95OP.002-4

**Supawash Lance & Reel - V 605, 650, Multiuse Left and Right Hand Installations
Used on most chassis except Ivecos**

BoM KT 06195

Item No.	Part No.	Description	Quantity
1	667-49	Hose Reel	1
2	-	Hydraulic Hose - See item 107 on page 30.SW:4	1
3	263-3	Adaptor 3/8" BSP	1
	451-18	Washer - Sealing 3/8" BSP	1
4	21-71	Lance complete with Swivel Adaptor	1
5	-		
	282475-1	Manifold Assembly comprising items 5 to 9	
6	282229-1	Water Manifold	1
7	54-4	Collared Plug (Remove as Required - See item 11)	6
8	263-4	Adaptor 1/2" BSP	1
	451-19	Washer - Sealing 1/2" BSP	1
9	265-4	Adaptor 1/2" x 3/8" BSP	1
	451-19	Washer - Sealing 1/2" BSP	1
10	665-8	Test Point	1
11	-	Hydraulic Hose - See item 106 on page 30.SW:4	1
Valves and Decal Quantities, Items 12 to 15, depend on Supawash equipment fitted			
12	88-33	Valve 1/2" BSPF	As Req'd
13	266-4	Adaptor 1/2" x 1/2" BSPT	1 per Valve
	451-19	Washer - Sealing	1 per Valve
14	265-4	Adaptor 1/2" x 3/8" BSP	1 per Valve
	451-19	Washer - Sealing 1/2"	1 per Valve
15	-	Decals - See Chapter 34	
*16 - *29	-	See notes below	

Notes

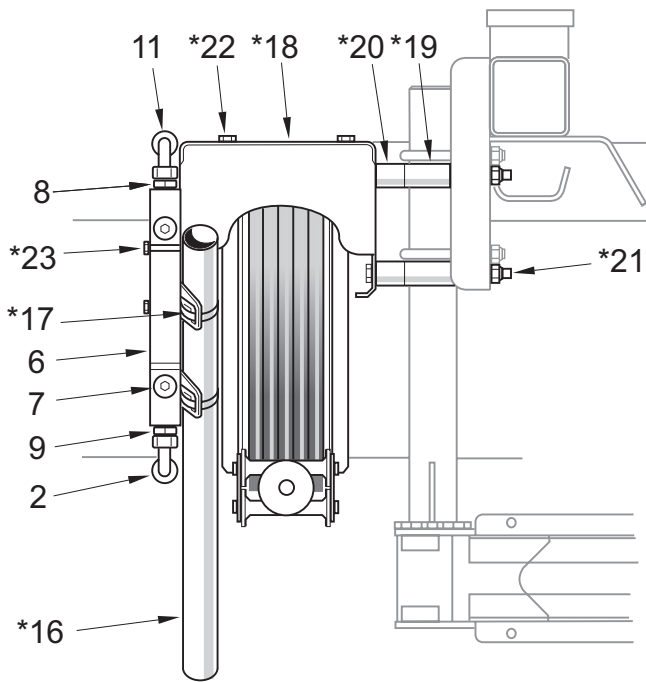
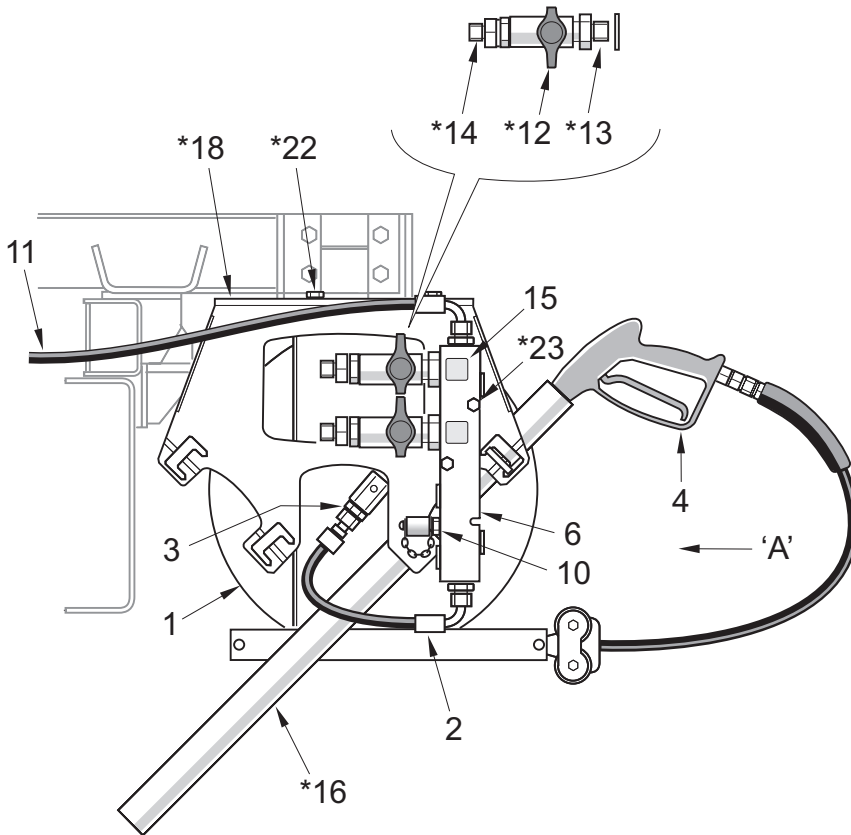
* Items 16 to 29 - Hose reel and hand lance installation parts are chassis related. Contact the Johnston Parts Department, quoting the machine serial number, for further information.

These parts are not supplied with standard ESU's.

Johnston reference drawings:

The relevant installation drawing can be found via the Chassis Drawing Matrix shown in chapter 33 page 33:2.

Supawash Lance & Reel - V 650, 800 Multiuse Installation



95OP. 003-4

Supawash Lance & Reel - V 650, 800 Multiuse Installation

BoM KT 06195

Item No.	Part No.	Description	Quantity
1	667-49	Hose Reel	1
2	-	Hydraulic Hose - See item 107 on page 30.SW:4	1
3	263-3	Adaptor 3/8" BSP	1
	451-18	Washer - Sealing 3/8" BSP	1
4	21-71	Lance complete with Swivel Adaptor	1
5	-		
	282475-1	Manifold Assembly comprising items 5 to 9	
6	282229-1	Water Manifold	1
7	54-4	Collared Plug (Remove as Required - See item 11)	6
8	263-4	Adaptor 1/2" BSP	1
	451-19	Washer - Sealing 1/2" BSP	1
9	265-4	Adaptor 1/2" x 3/8" BSP	1
	451-19	Washer - Sealing 1/2" BSP	1
10	665-8	Test Point	1
11	-	Hydraulic Hose - See item 106 on page 30.SW:4	1
Valves and Decal Quantities, Items 12 to 15, depend on Supawash equipment fitted			
12	88-33	Valve 1/2" BSPF	As Req'd
13	266-4	Adaptor 1/2" x 1/2" BSPT	1 per Valve
	451-19	Washer - Sealing	1 per Valve
14	265-4	Adaptor 1/2" x 3/8" BSP	1 per Valve
	451-19	Washer - Sealing 1/2"	1 per Valve
15	-	Decals - See Chapter 34	
*16 - *23	-	See notes below	

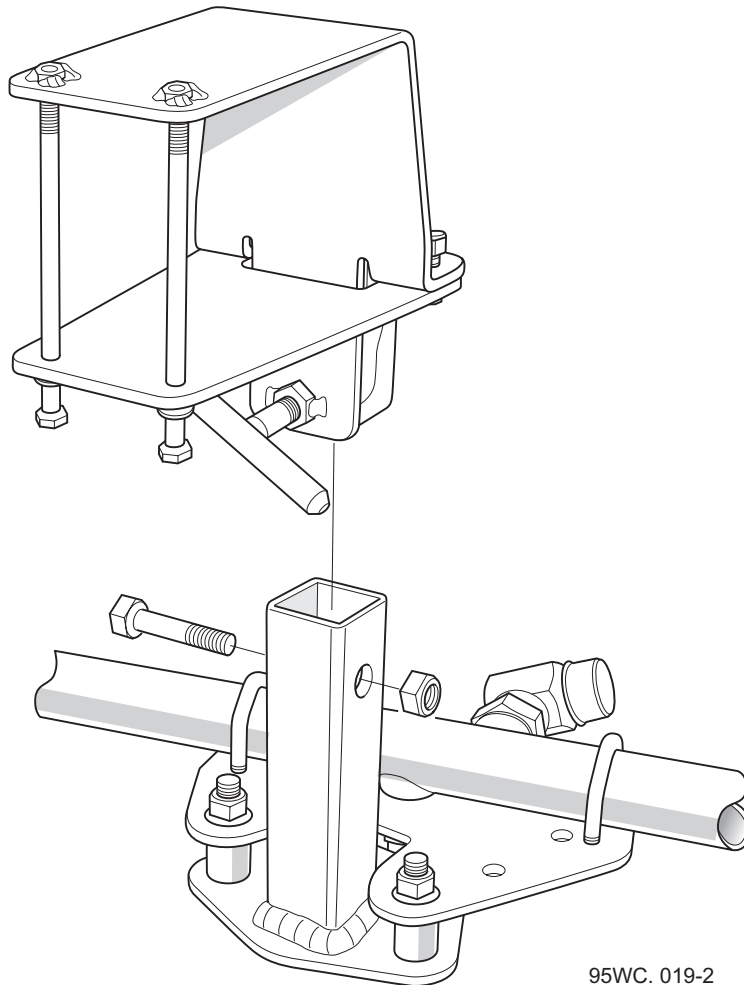
Notes

* Items 16 to 23 - Hose reel and hand lance installation parts are chassis related. Contact the Johnston Parts Department, quoting the machine serial number, for further information.

These parts are not supplied with standard ESU's.

Johnston reference drawings:

The relevant installation drawing can be found via the Chassis Drawing Matrix shown in chapter 33 page 33:2.

Front Spraybar Installation

95WC. 019-2

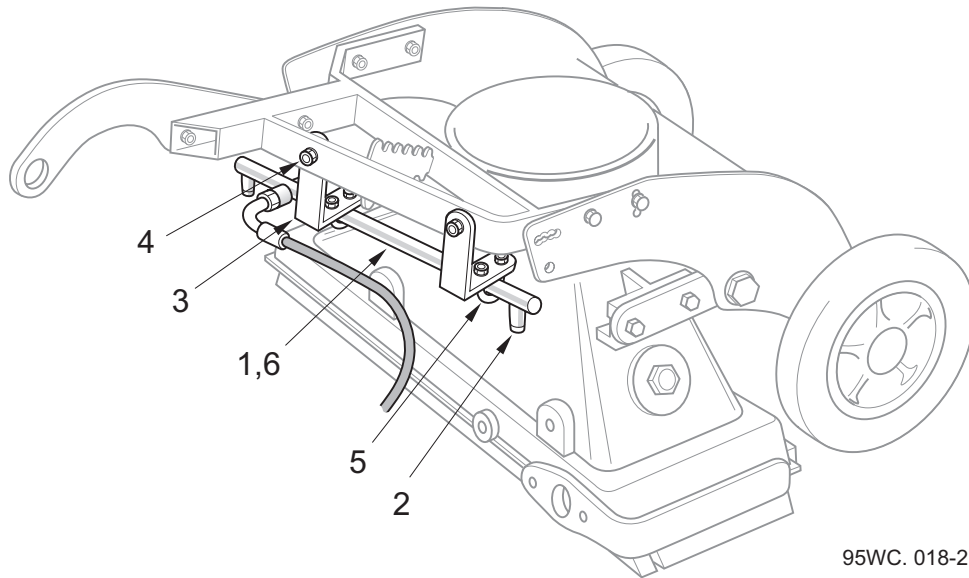
The Front Spraybar Installation parts are chassis related. Contact the Johnston Parts Department, quoting the machine serial number, for further information.

These parts are not supplied with standard ESU's.

Johnston reference drawings:

The relevant installation drawing can be found via the Chassis Drawing Matrix shown in chapter 33 page 33:2.

Nozzle Spraybar Installation



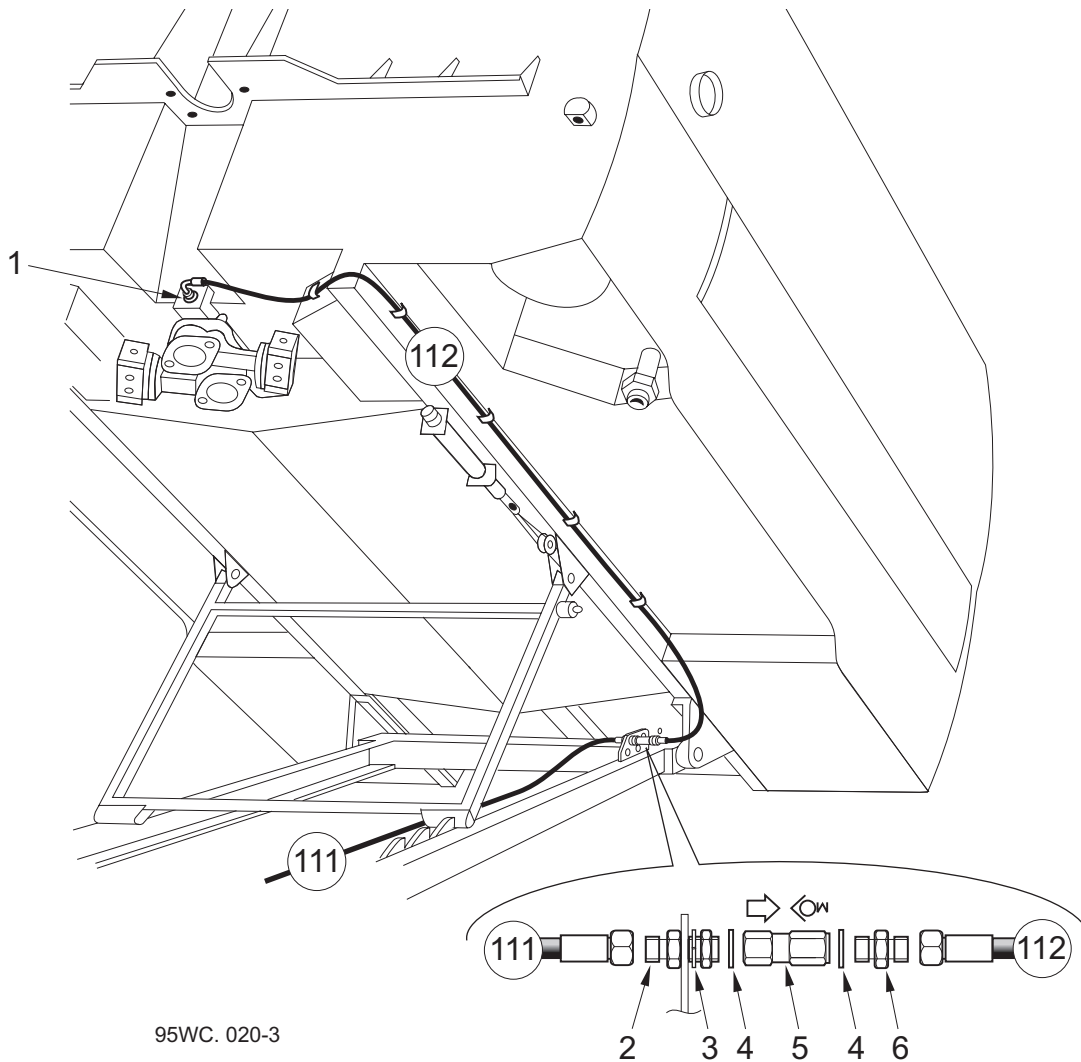
95WC. 018-2

BoM KT 02595

Item No.	Part No.	Description	Quantity
	282240-1	Spraybar Installation comprising items 1 to 5	
1	282231-1	Spraybar	1
2	21-31	Spray Jet	2
3	282238-1	Mounting Bracket	2
> 4	124-139	Screw M8 x 30	2
	455-10	Washer - Plain M8	2
	425-14	Nut - Nyloc M8	2
5	6105-1	'U' Bolt M6	2
	455-8	Washer - Plain	4
	425-13	Nut - Nyloc M6	4
6	68-18	Swivel Blanking Cap	1

Notes

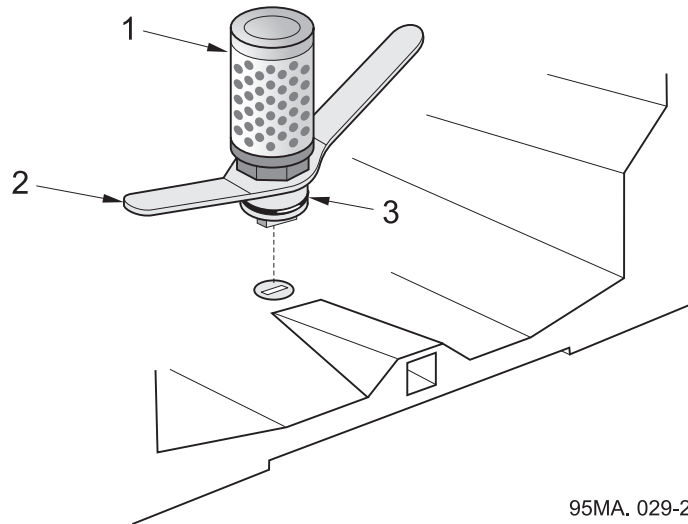
For Supawash nozzle spraybar with PM10 spraybars see Options Chapter 35.WS

Recirculating Water Option - Backflushing Installation

BoM KT 05895

Item No.	Part No.	Description	Quantity
1	265-3	Adaptor 1/2" x 1/4" BSP	1
	451-19	Washer - Sealing 1/2" BSP	1
2	264-2	Bulkhead Adaptor	1
3	460-13	Washer - Spring M14	1
4	451-17	Washer - Sealing 1/4" BSP	2
5	241-279	Check Valve 1/4" BSP	1
6	263-2	Adaptor 1/4" BSP	1
111	-	Hydraulic Hose - See Circuit and Hoses page 30.SW:4	
112	-	Hydraulic Hose - See Circuit and Hoses page 30.SW:4	

Hose item numbers correspond with those on Supawash diagram SW513a01 on page 30.SW:6.

Hopper Filter Strainer Option



95MA. 029-2

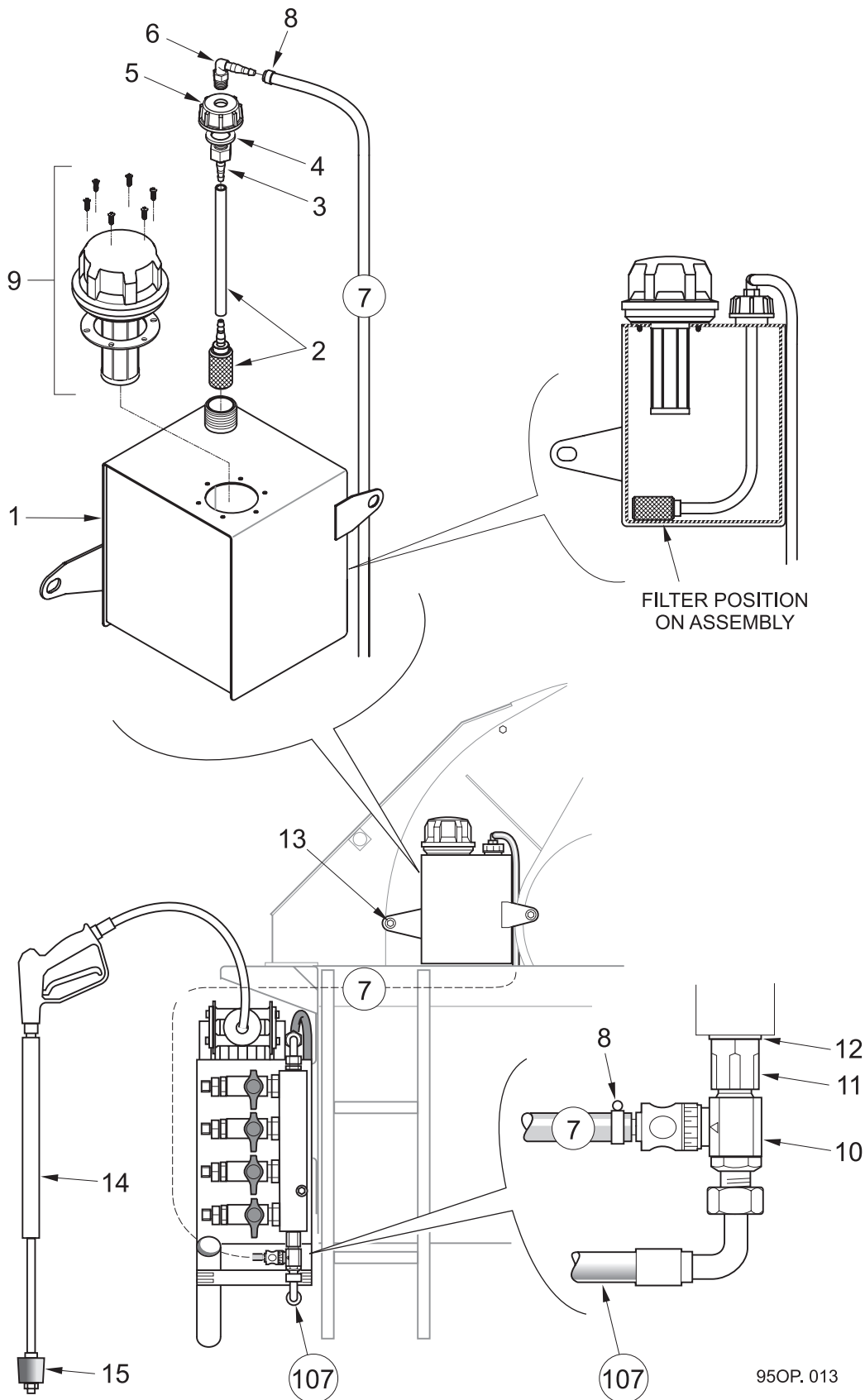
BoM KT 08695

Item No.	Part No.	Description	Quantity
	282736-1	Water Strainer Adaptor Installation comprising items 1 to 3	
1	6974-1	Filter Element	1
2	282606-1	Water Strainer Adaptor	1
3	80-65	'O' Ring	1

Notes

Refer to Product Information Sheet PI 539 for a description of the use of this Filter Strainer option for extended Supawash operating times.

Supawash Optional Detergent Injection System



Supawash Optional Detergent Injection System

BoM KT 10795, 10796

Item No.	Part No.	Description	Quantity
	283314-1	Tank Assembly comprising items 1 to 9:-	
1	283313-1	Detergent Tank - 6 Litre	1
2	21-351	Filter and Hose	1
3	277-233	Hose Tail - Straight	1
4	740-3	Washer	1
5	277-221	Cap	1
6	277-232	Hose Tail - 90°	1
7	272-35	Water Hose - Clear Ø8 I.D.	2m
8	501-1	Hose Clip	2
9	69-30	Filler Breather - 10 Micron	1
	283315-1	System Installation - V650)	
	283315-2	System Installation - V800)	Comprising items 10 to 15:-
10	21-350	Chemical Injector	1
11	492-13	Adaptor	1
12	451-19	Washer - Sealing 1/2" BSP	1
13	124-137	Screw M8 x 25	1
14	-	Lance - See "Supawash Lance and Reel" elsewhere in this chapter.	1
15	21-352	Adjustable Pressure Head - Specific for this application.	1
* 107	HC06043-60-190	Hydraulic Hose 3/8" BSP - V650	1
	HC06002-60-30	Hydraulic Hose 3/8" BSP - V800	1

Notes

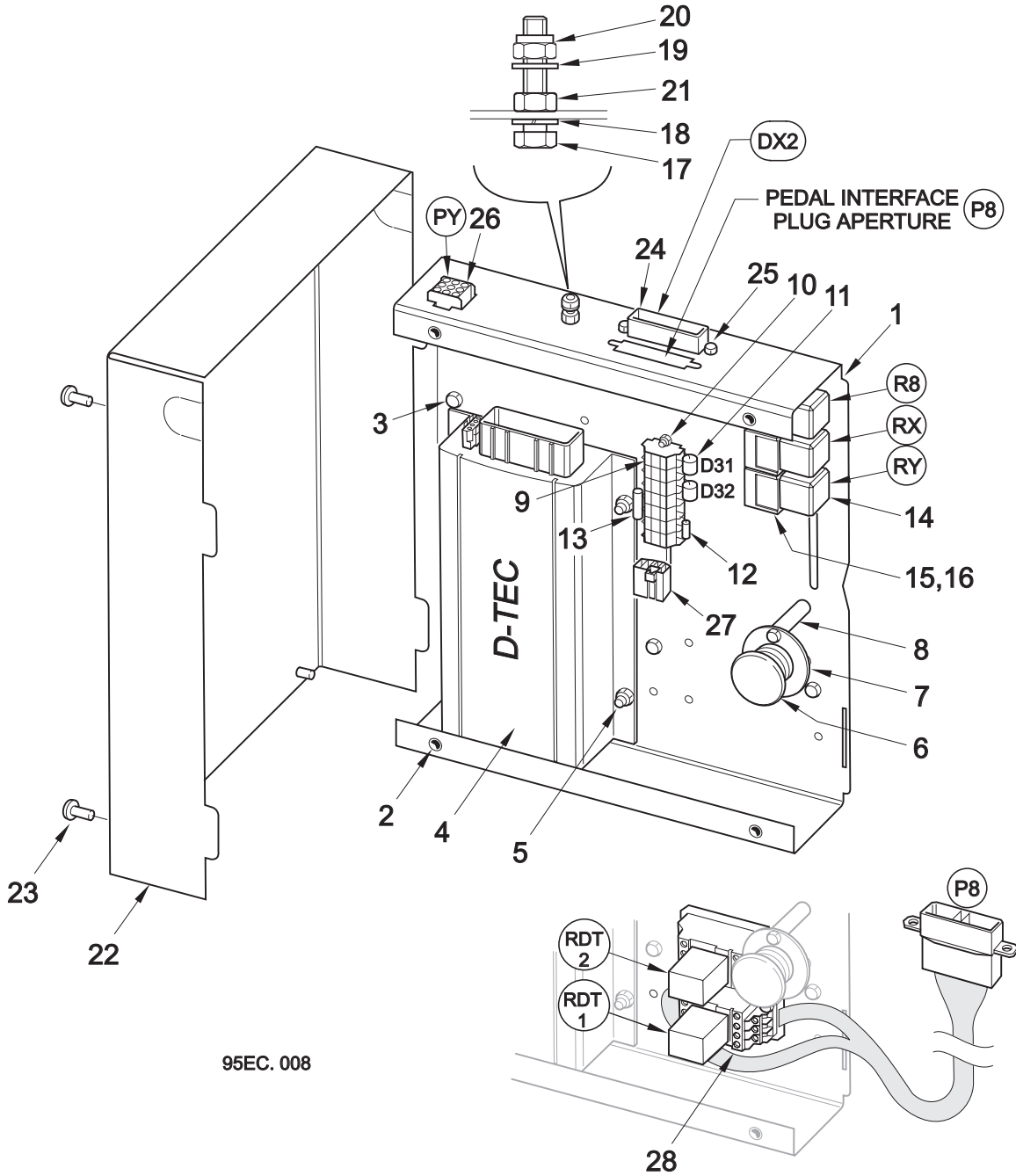
* Item 107 - These hoses replace the standard ones listed on page 30.SW:4

CHAPTER

31**Electrical System****Table of Contents**

VS Section	Page
Hydrodrive Control Box Core Module	31 : 2
Mercedes Hydrodrive Control Box Module	31 : 4
VT & VS Section	
Relay Box	31 : 6
Lights	
Beacons, Lights and Looms	31 : 8
Wiring Looms	
Looms	31 : 12

VS Hydrodrive Control Box Core Module - Euro 4 Chassis Engines



Note: The Control Box Module assemblies listed below comprise the core module, shown on this page, plus a specific Foot Pedal Module, item 28.

Chassis Type	Core Module	Foot Pedal Module
MAN	283189-1	+
DAF	283189-1	+ 809908-1
Renault	283189-1	+ 283191-1
Iveco	283189-1	+ 809917-1
Mercedes	283893-1	+ 809882-1

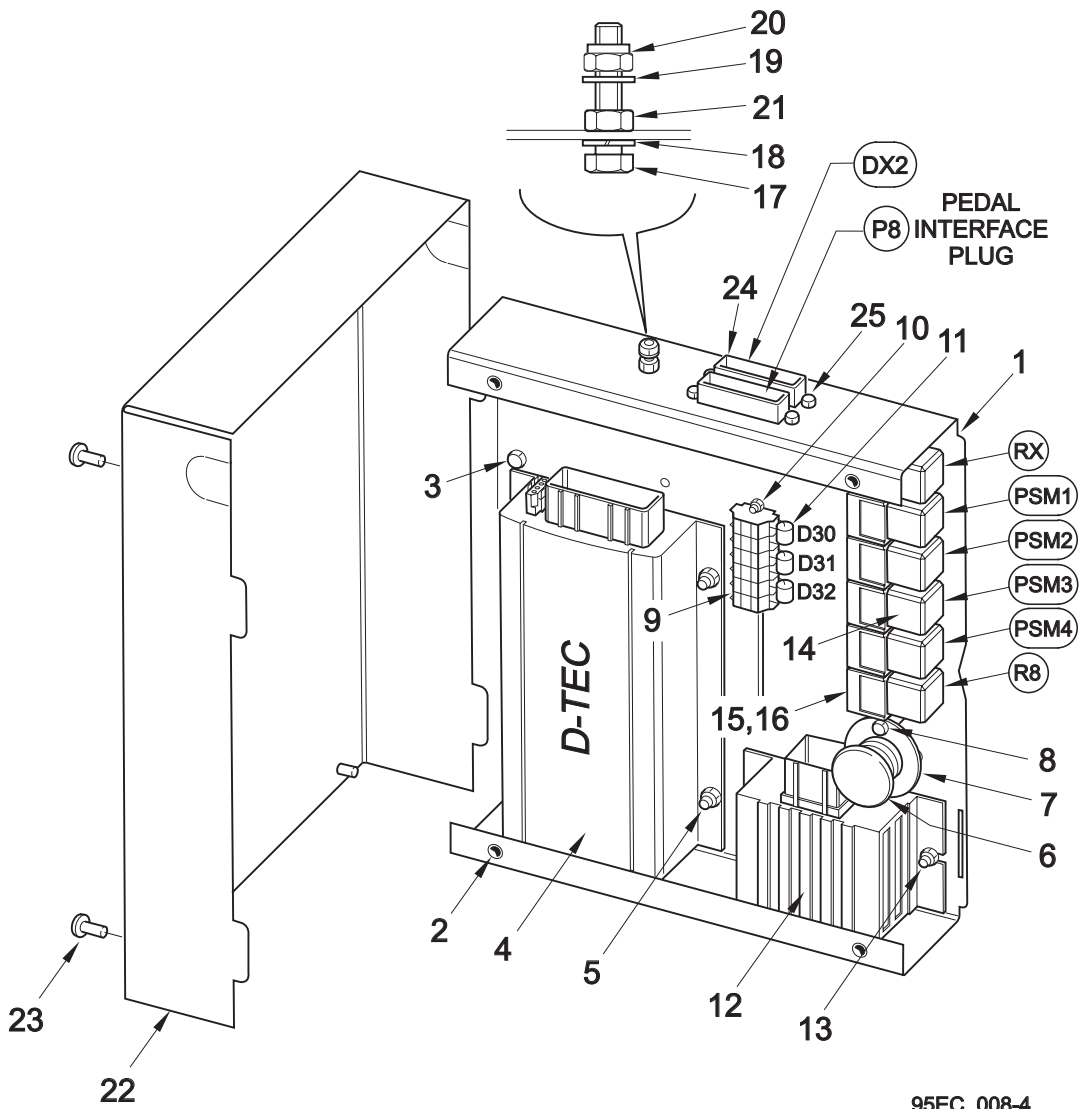
The Mercedes box is unique and is shown over the page.

VS Hydrodrive Control Box Core Module - Euro 4 Chassis Engines

BoM 950420

Item No.	Part No.	Description	Quantity
>	283189-1	Control Box Core Module comprising:-	
1	282823-1	Base	1
2	433-2	Clufix fastening M6	4
3	124-100	Bolt M6 x 12	4
4	200469-4	D-Tec 910 V04 Unit - See over page	1
5	124-102	Bolt M6 x 16	4
	455-8	Washer - Plain	4
	425-13	Nut - Nyloc M6	4
6	99-29	Override Button	1
	99-2	Body Contact N.C.	1
7	282857-1	Support Plate	1
8	42774-5	Spacer	2
	124-100	Bolt M6 x 12	4
9	30-256	Dual Terminal Block	7
	30-254	End Plate	1
10	124-4	Bolt M3 x 12	2
	455-3	Washer - Plain	2
	425-10	Nut - Nyloc M3	2
11	13984	Diode 6A	2
12	30-229	Resistor 2k2 21watt	1
13	30-173	Resistor 300 Ohm 6watt	1
14	13194	Relay 24V	3
15	48-89	Relay Base	3
16	124-67	Bolt M5 x 10	3
	455-7	Washer - Plain	3
	425-12	Nut - Nyloc M5	3
17	124-113	Bolt M6 x 50	1
18	460-8	Washer - Spring	1
19	455-8	Washer - Plain	4
20	420-13	Nut M6	1
21	425-13	Nut - Nyloc M6	1
22	282824-1	Lid	1
23	138-91	Socket Button Head Bolt	4
24	31-218	Plug - 17 Way	1
25	124-69	Bolt M5 x 14	2
26	31-391	Plug Housing - 9 - Way	1
27	31-127	Receptacle Housing - 7 Way (DTO1, loose item)	1
28	-	Foot Pedal Module - Typical not part of Core Module	

VS Mercedes Hydrodrive Control Box



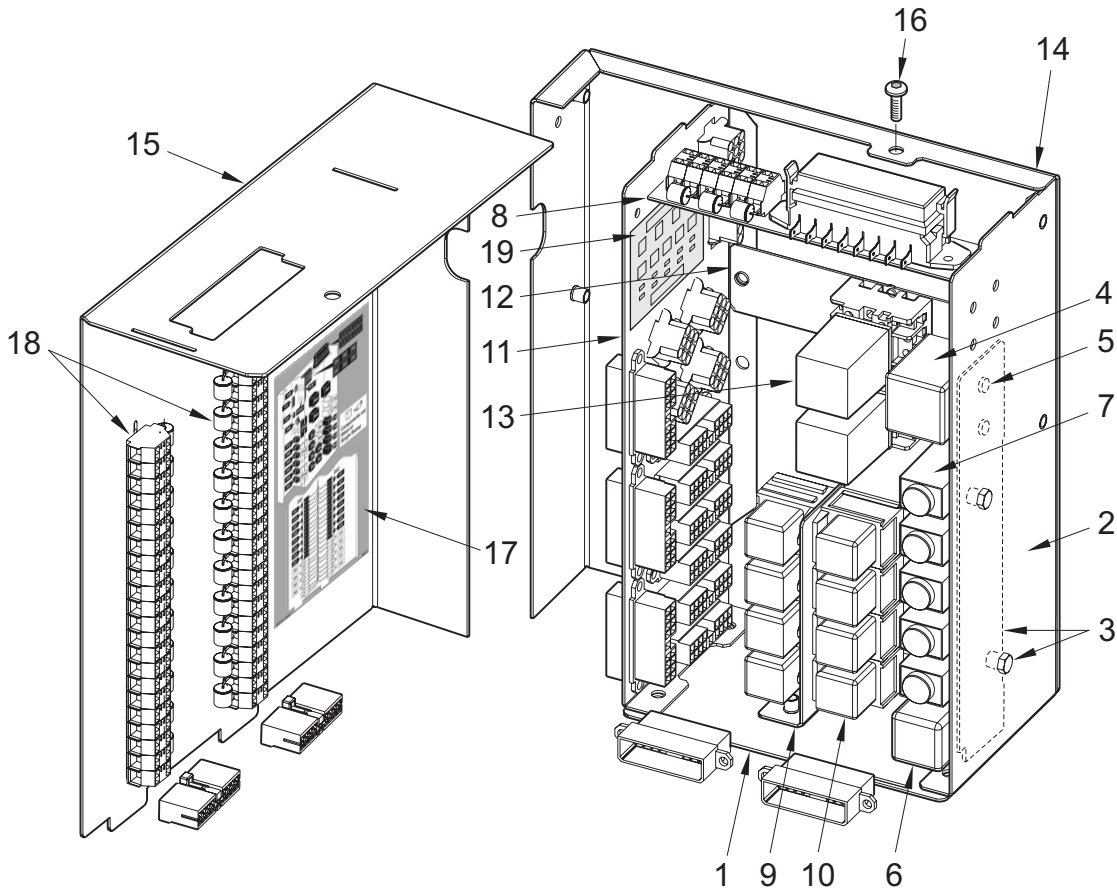
95EC. 008-4

VS Mercedes Hydrostatic Control Box Module

BoM 950420

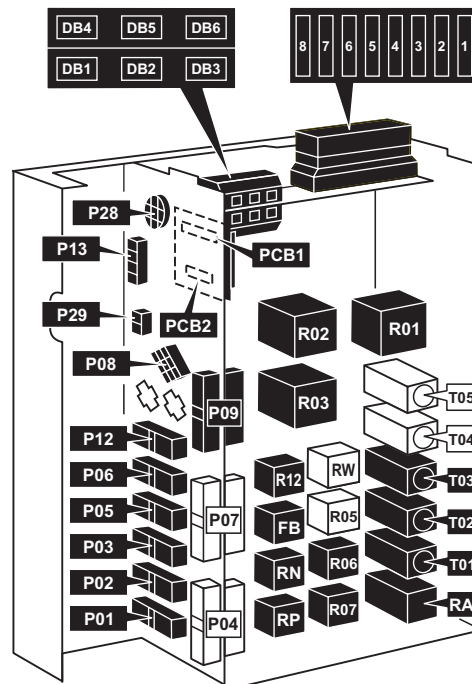
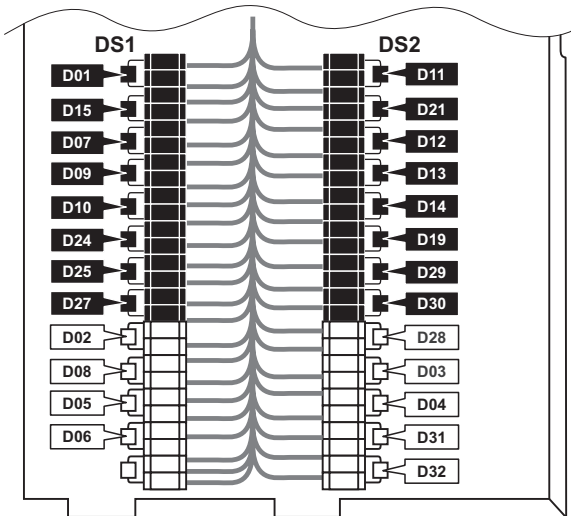
Item No.	Part No.	Description	Quantity
>	283893-1	Mercedes Control Box Module comprising:-	
1	282823-1	Base	1
2	433-2	Clufix fastening M6	4
3	124-100	Bolt M6 x 12	4
4	200441-1	D-Tec 910 V04 Unit	1
5	124-102	Bolt M6 x 16	4
	455-8	Washer - Plain	4
	425-13	Nut - Nyloc M6	4
6	99-29	Override Button	1
	99-2	Body Contact N.C.	1
7	282857-1	Support Plate	1
8	42774-5	Spacer	2
	124-100	Bolt M6 x 12	4
9	30-256	Dual Terminal Block	7
	30-254	End Plate	1
10	124-4	Bolt M3 x 12	2
	455-3	Washer - Plain	2
	425-10	Nut - Nyloc M3	2
11	13984	Diode 6A	2
12	200440-1	Pedal Interface	1
13	124-68	Bolt M5 x 12	2
	455-7	Washer - Plain	2
	425-12	Nut - Nyloc M5	2
14	13194	Relay 24V	3
15	48-89	Relay Base	3
16	124-67	Bolt M5 x 10	3
	455-7	Washer - Plain	3
	425-12	Nut - Nyloc M5	3
17	124-113	Bolt M6 x 50	1
18	460-8	Washer - Spring	1
19	455-8	Washer - Plain	4
20	420-13	Nut M6	1
21	425-13	Nut - Nyloc M6	1
22	282824-1	Lid	1
23	138-91	Socket Button Head Bolt	4
24	31-218	Plug - 17 Way	2
25	124-69	Bolt M5 x 14	4

Relay Box - VT & VS



COMPONENT IDENTIFICATION CODES


 Components not fitted on Single Sweep



95EC.002-5

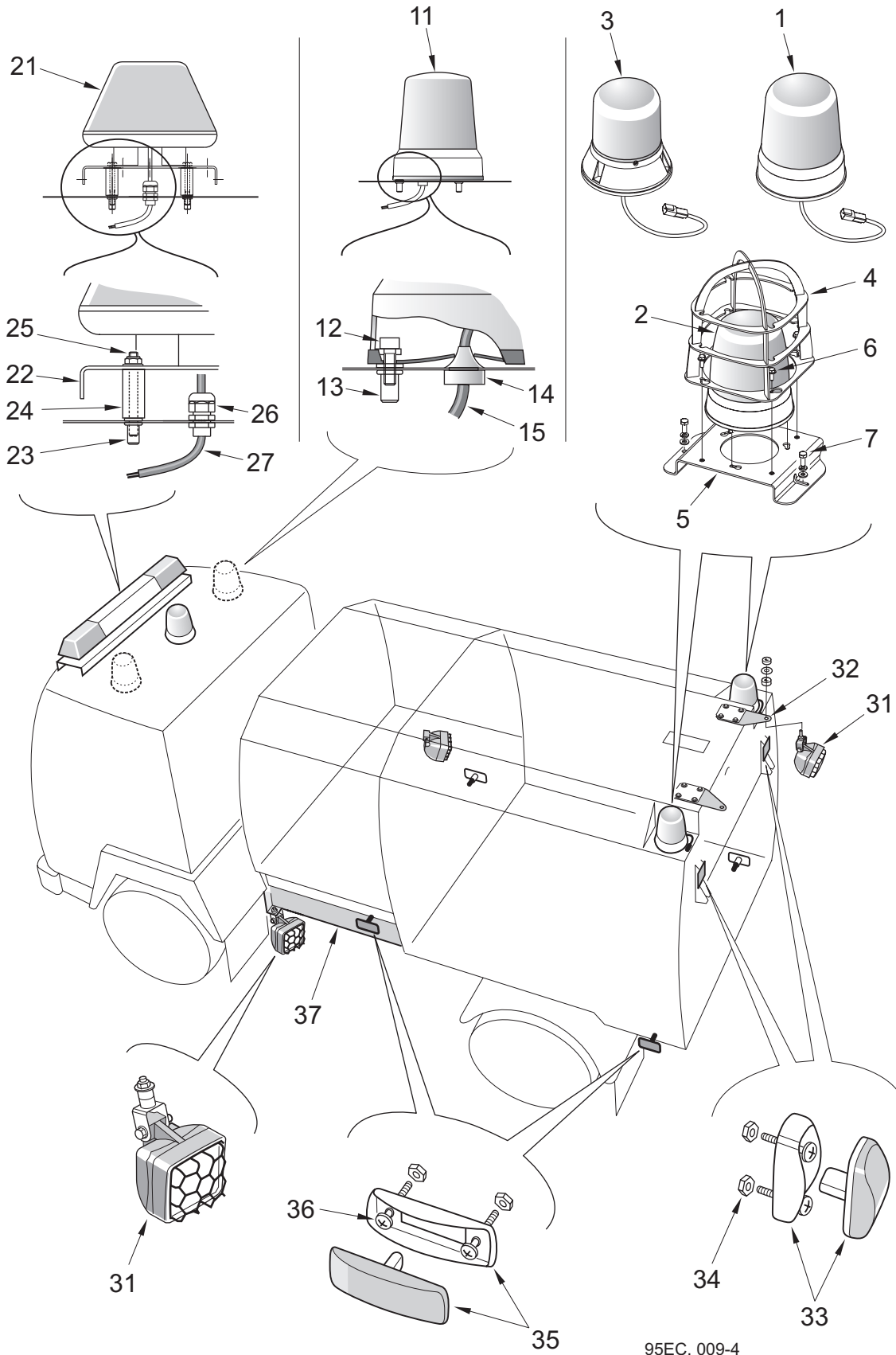
Relay Box - VT & VS

BoM 950311

Item No.	Part No.	Description	Quantity		
			Single	Dual	
1	282108-1	Base Plate	1	1	
2	282114-1	Side Wall	1	1	
	433-2	Clufix Threaded Insert M6	4	4	
	138-91	Screw M6 x 12	2	2	
3	282117-1	Relay Plate	1	1	
	433-2	Clufix Threaded Insert M6	2	2	
	138-91	Screw M6 x 12	2	2	
4	48-34	Relay 12v	1	1	
	48-37	Relay 24v	1	1	
5	181-1	Screw Pozidriv M5 x 10	2	2	
	420-12	Nut M5	2	2	
6	48-252	Audible Warning Relay 12v	1	1	
	48-253	Audible Warning Relay 24v	1	1	
7	13981	Relay - Timer 12v	3	5	
	13982	Relay - Timer 24v	3	5	
	13983	Timer Relay - Base	3	5	
8	281904-1	Arm - Fuse Box Support	1	1	
	433-2	Clufix Insert M6	2	2	
	138-91	Screw M6 x 12	2	2	
9	282115-1	Relay Support Plate	1	1	
	433-2	Clufix Insert M6	2	2	
	138-91	Screw M6 x 12	2	2	
10	13193-1	Relay 12v	6	8	
	13194-1	Relay 24v	6	8	
11	282112-1	Plate - Plug Mounting	1	1	
	433-2	Clufix Insert M6	4	4	
	138-91	Screw M6 x 12	2	2	
12	281903-1	Tee Plate	1	1	
	433-2	Clufix Insert M6	2	2	
	138-91	Screw M6 x 12	2	2	
13	12904	Relay - 3 Channel 12v	2	2	
	13867	Relay - 3 Channel 24v	2	2	
14	282109-1	Back Plate	1	1	
	138-91	Screw M6 x 12	4	4	
	283-14	Clip	1	1	
15	282110-1	Front Plate	1	1	
16	138-94	Screw - Button Hd M6 x 20	1	1	
17	283242-1	Label	1	1	
>	18	283501-1	Diode Pack	1	-
	283398-1	Diode Pack	-	1	
	13984	Diode (Spares item)	16	26	
>	19	283644-1	Printed Circuit Board	1	1

Beacons, Lights and Looms

Note: Beacons, Marker and Work lights are not supplied on standard ESU's. They are available as options.



95EC. 009-4

Beacons, Lights and Looms

BoM KT 01195 - Rear Beacons

Item No.	Part No.	Description	Quantity
1	282793-12	Beacon 12v - Rotating	2
	282793-24	Beacon 24v - Rotating	2
2	282462-1	Beacon 24v - Xenon	2
3	282959-12	Beacon 12v - Airport Flashing	2
	282959-24	Beacon 24v - Airport Flashing	2

Rear Beacon Installation Drawings:-

	283981	Rotating Beacon	
	283982	Xenon Beacon	
	283983	Airport Flashing Beacon	
		Each comprising a beacon, item 1, 2 or 3, plus items 4 to 7	
4	295078-1	Cage	1
5	295079-1	Base	1
> 6	116-155	Flanged Bolt M6 x 16	4
7	124-102	Screw M6 x 20	2
	460-10	Washer - Spring	2
	455-10	Washer - Plain	2
8 - 10	-	-	-

BoM KT 070999 - Front Beacons

11	46-15-24	Beacon 24v - Rotating	1 or 2
	46-265	Beacon 24v - Xenon	1 or 2
	46-264	Beacon 24v - Airport	1 or 2

Front Beacon Installation Drawings:-

	807193-1	24v Rotating Beacon (Includes Wiring, Item15)	
	807193-2	24v Xenon Beacon (Includes Wiring, Item15)	
	807193-3	24v Airport Flashing Beacon (Includes Wiring, Item15)	
		Each comprises a beacon, item 11, plus items 12 to 15:-	
12	129-94	Capscrew M6 x 20	3 per beacon
13	433-11	Blind Rivet M6	3 per beacon
14	86-23	Cable Gland	1 per beacon
15	32-17	Cable x 3m (Fittings listed on 807193)	1 per beacon
16 - 20	-	-	-

Front Beacon Positioning Drawings:-

	807198	Single Beacon - Cab Mounted
	807199	Dual Beacons - Cab Mounted

Beacons, Lights and Looms
BoM KT 070999 - Front Beacon Bars

Item No.	Part No.	Description	Quantity
21	46-290	Beacon Bar 24v - Rotating	1
	46-291	Beacon Bar 24v - Xenon	1
	46-292	Beacon Bar 4 Mod	1
	46-289	Beacon Bar LED	1

Front Beacon Bar Installation Drawings:-

	807195-1	24v Rotating Beacon (Includes Wiring, Item 27)	
	807195-2	24v Xenon Beacon (Includes Wiring, Item 27)	
	807195-3	24v 4 Mod Beacon (Includes Wiring, Item 27)	
	807195-4	24v 3 LED Beacon (Includes Wiring, Item 27)	
	Each comprises a beacon bar, item 21, plus items 22 to 27:-		
22	807232-1	Support Plate	1
23	433-12	Blind Rivet M8	4
24	808749-1	Spacer	4
25	145-1	Studding M8 x 95	4
	455-10	Washer - Plain	4
	425-14	Nut - Nyloc M8	4
26	86-20	Cable Gland	1
27	32-78	Cable (Fittings listed on 807195)	3m
28 - 30	-	-	-

KT01095 - Worklight Installation

31	283230-1	Worklight - 12V	As req'd
	47-10	Bulb 12v - 55 Watt	
	283230-2	Worklight - 24V	As req'd
	47-9	Bulb 24v - 70 Watt	

283984 - Rear Worklight Installation

32	283984-1	Mounting Plate	2
----	----------	----------------	---

807418/1/INST - Rear Marker Lights

33	46-270	Marker Light	2
34	124-103	Screw Pan Head M3 x 15	4
	425-13	Nut M3	4

807412/1/INST - Side Marker Lights

35	46-267	Marker Light	4
36	134-42	Screw Pan Head M4 x 12	2 per light
	455-5	Washer - Plain	2 per light
	425-11	Nut - Nyloc M4	2 per light

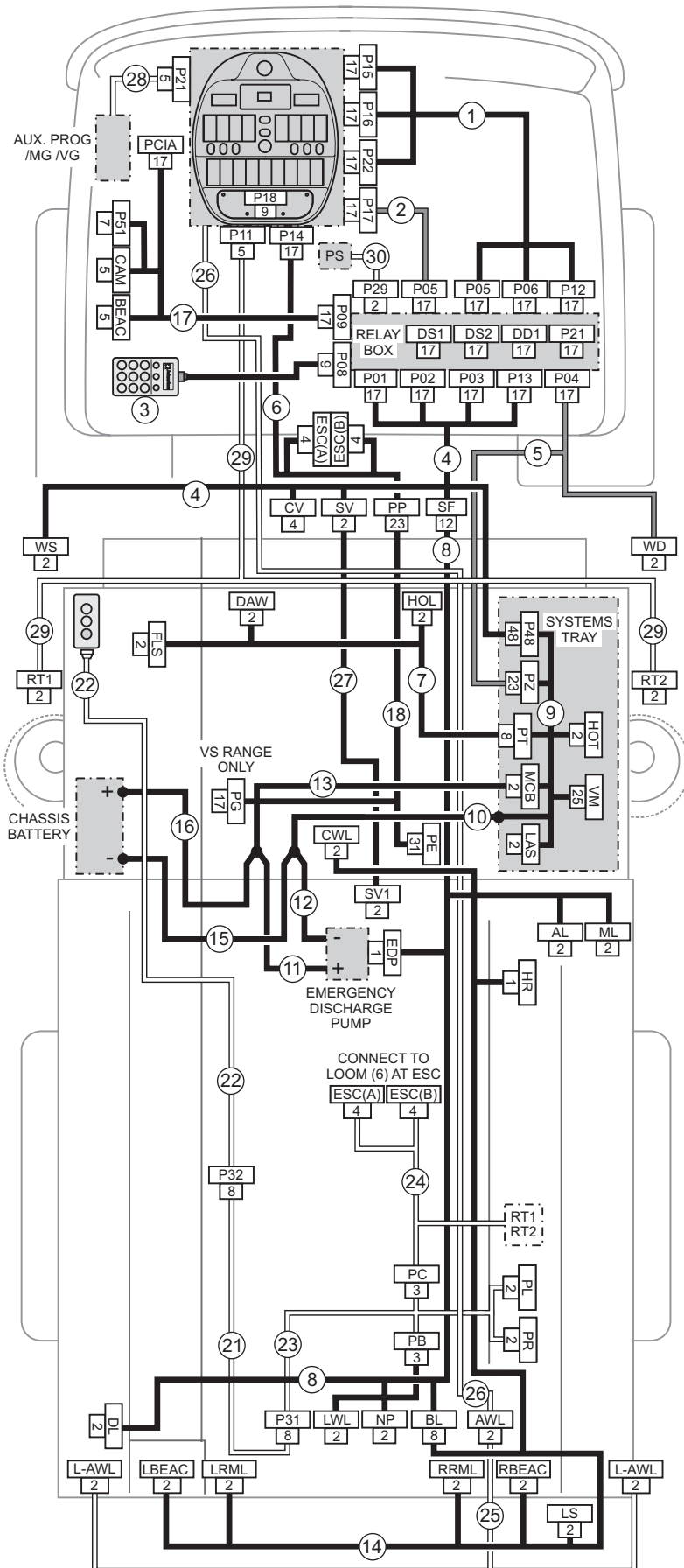
Beacons, Lights and Looms

BoM 950324 - Valance and Fittings

Item No.	Part No.	Description	Quantity
> 37		Fuel Tank Valance - See Chapter 33, Access Ladder and Valance	
	808575-1	Systems Locker Valance (RH Side) - Not Shown	1
	124-103	Screw M6 x 20)	4
	455-8	Washer - Plain M6)	4
	425-13	Nut - Nyloc M6)	4
		Valance to Systems Locker	

Notes

Looms



LEGEND

SINGLE SWEEP LOOMS

**DUAL SWEEP LOOMS
(REQUIRED IN ADDITION
TO SINGLE SWEEP
LOOMS ON DUAL
MACHINES)**

OPTIONS LOOMS

XXX *CONNECTOR REF.
X NO. OF WAYS

* SEE ABBREVIATIONS
OPPOSITE

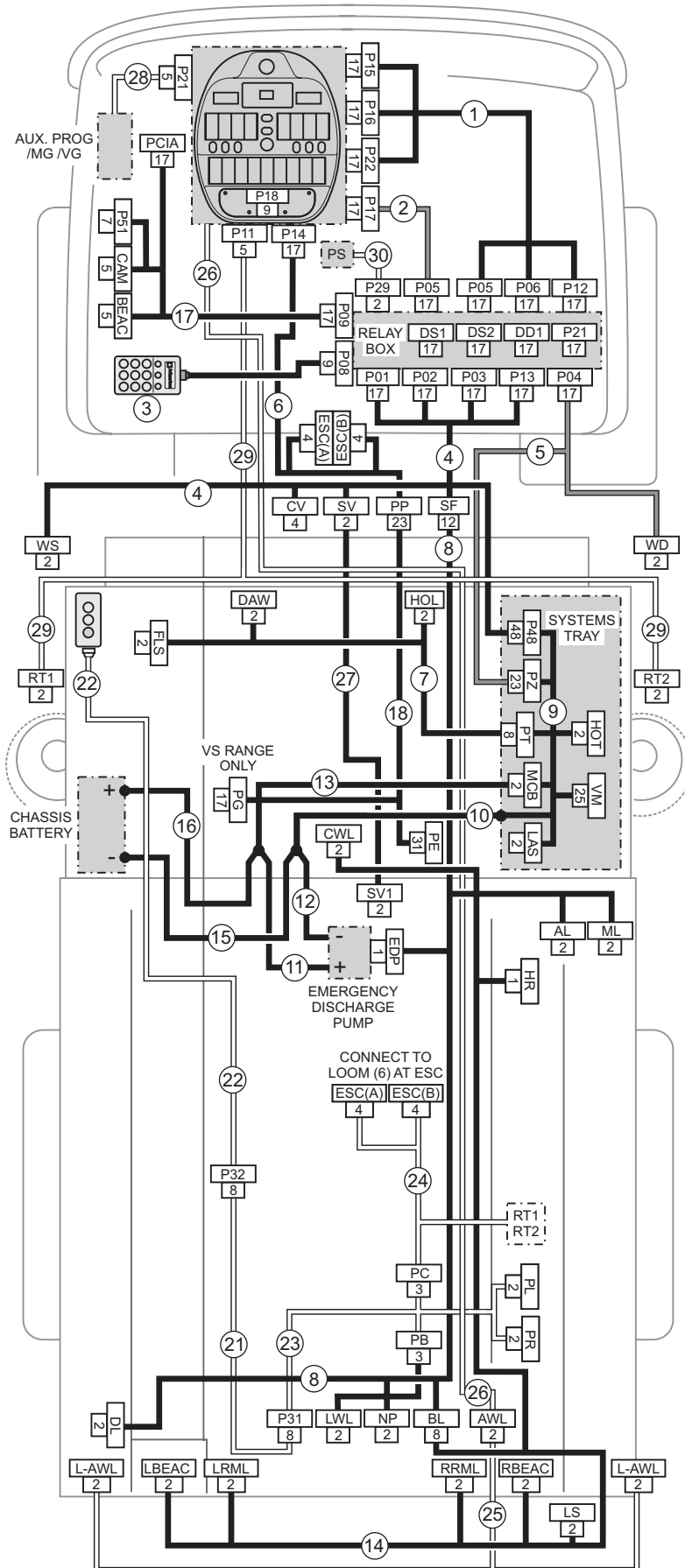
(XX) LOOM ITEM NOS.
SEE NEXT PAGE

95EC. 012a

Abbreviations

AL	=	Auto Lube
AWL	=	Additional Work Lights - L = Left, R = Right
BEAC	=	Beacon - L = Left, R = Right
BL	=	Body Loom
CAM	=	Camera
CWL	=	Cowl Work Light
CV	=	Combivac
DAW	=	Discharge Audible Warning
DD	=	Diode Dual
DS	=	Diode Single
DL	=	Door Lock
EDP	=	Emergency Discharge Pump
ESC	=	Engine Speed Control
FLS	=	Fuel Load Sensor
HOL	=	Hydraulic Oil Level
HOT	=	Hydraulic Oil Temperature
HR	=	Hopper Raised Switch
LAS	=	Low Air Pressure Switch
LS	=	Limit Switch
MCB	=	Master Circuit Breaker
MG	=	Maxigap
ML	=	Marker Light - LR = Left Rear, RR = Right Rear
NP	=	Number Plate
P	=	Plugs i.e. 'B', 'C', 'T' and 'Z'
PCIA	=	Plug 'A' - Chassis Interface
PE	=	Plug - Engine Management Box
PP	=	Powapack Plug
PS	=	Powasave Valve (Channel Brush)(
PL	=	Powaboom Lower
PR	=	Powaboom Raise
RT1	=	Relay 'T1', 'T2'
SF	=	Subframe
SV	=	Supawash Valve
VG	=	Variagap
VM	=	Pneumatic Valve Unit
W	=	Work Light - S = Single, D = Dual

Looms



LEGEND

—————
SINGLE SWEEP LOOMS

—————
DUAL SWEEP LOOMS
(REQUIRED IN ADDITION
TO SINGLE SWEEP
LOOMS ON DUAL
MACHINES)

—————
OPTIONS LOOMS

XXX *CONNECTOR REF.
X NO. OF WAYS

* SEE ABBREVIATIONS
ON PREVIOUS PAGE

(XX) LOOM ITEM NOS.
SEE OPPOSITE

95EC. 012b

Looms

SE551z04

Item No	Part No	Description	Quantity
1	282022-1	Interlink Loom	1
2	282023-1	Interlink Loom - Dual addition	1
3	283440-2	Discharge Pendant	1
4	283260-1	Main Loom	1
5	283265-1	Main Loom - Dual addition	1
6	282020-1	Main Loom - Powapak	1
7	283263-1	Powapak Service Loom	1
8	283261-1	Subframe Loom	1
9	283807-12	Systems Wafer Loom - 12v)	1
	283807-24	Systems Wafer Loom - 24v) Single Sweep	1
	283264-12	Systems Wafer Loom - 12v)	1
	283264-24	Systems Wafer Loom - 24v) Dual Sweep	1
10	283276-1	System Earth Loom	1
11	282036-1	Emergency Pump Feed - Red	1
12	282036-2	Emergency Pump Feed - Black	1
13	283275-1	System Power Cable	1
14	283262-1	Body Main Loom	1
15	17936-305	Earth Cable - Black	1
16	92105-301	Starter Cable	1
17	283186-1	Cab Main Loom	1

VT Range Engine Looms

18	282042-1	Iveco Standard Power Engine Loom	1
	283851-1	Iveco High Power Engine Loom	1
	282041-1	John Deere Standard Power Engine Loom	1
	283939-1	John Deere High Power Engine Loom	1

VS Range Systems Loom

18	282050-1	Hydrostatic Systems Loom	1
----	----------	--------------------------	---

Ref. only **VT Range Engine Management Boxes (PE)**

- See Chapter 22 Sections PA and PB

Ref. only **VS Range Management Box (PE)**

- See Chapter 22 Section PG

19 - 20

-

Options - See over page

Looms
SE551z04

Item No	Part No	Description	Quantity
Options			
Powaboom			
21	282063-1	Extension Loom	1
22	282061-1	Control Loom	1
* 23	282062-1	Powaboom Control Loom	1
24	282060-1	Remote Throttle Control Loom	1
* Remote Throttle without Powaboom			
23	282160	Throttle Control Loom - VT Range	1
	282161	Throttle Control Loom - VS Range	1
Additional Worklights			
25	293774-1	Additional Rear Worklights Loom	1
26	283235-1	Main Loom - Rear Door Accessories	1
Supawash			
27	282069	Supawash Loom	1
Maxigap / Varagap			
28	283233	Maxigap / Varagap Link Loom	1
Channel Brush			
29	282053	Rotatilt Loom	1
30	283504	Powasave Loom	1

Notes

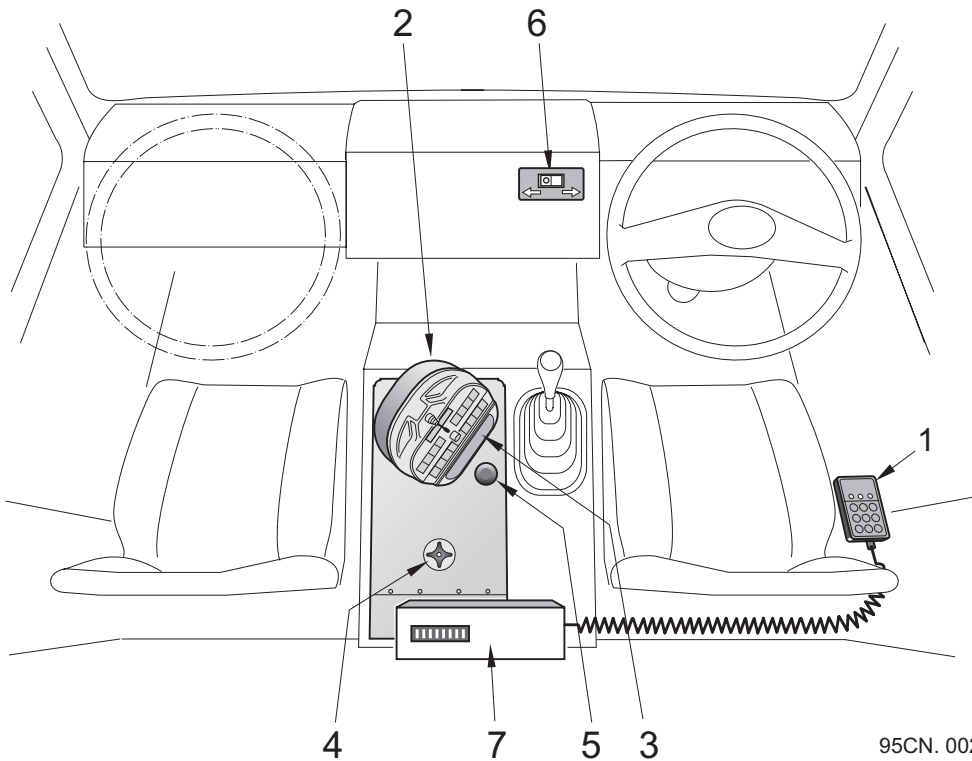
CHAPTER

32

Cab Controls

Table of Contents

Section	Page
Cab Controls	
Cab Mounted Controls	32 : 2
Discharge Control	
Load Discharge Pendant	32 : 3
Switch Panel	
Switch Panel Assembly	32 : 4
Powapak Control Panel - VT Range	32 : 8
Powapak Control Panel - VS Range	32 : 10
Channel Brush	
Channel Brush Speed Control	32 : 11
Powasave Control - Option	32 : 12
Dual Steer	
Dual Steer Changeover Control	32 : 13

Cab Mounted Controls


95CN.002-3

Item No.	Description	Page
1	Load Discharge Pendant	32 : 3
* 2	Switch Panel	32 : 4
* 3	Powapak Control Panel	32 : 8 - 10
* 4	Channel Brush Speed Control	32 : 11
* 5	Powasave Pressure Control	32 : 12
* 6	Dual Steer Changeover Control	32 : 13
7	Control Relay Box	Chapter 31

Notes

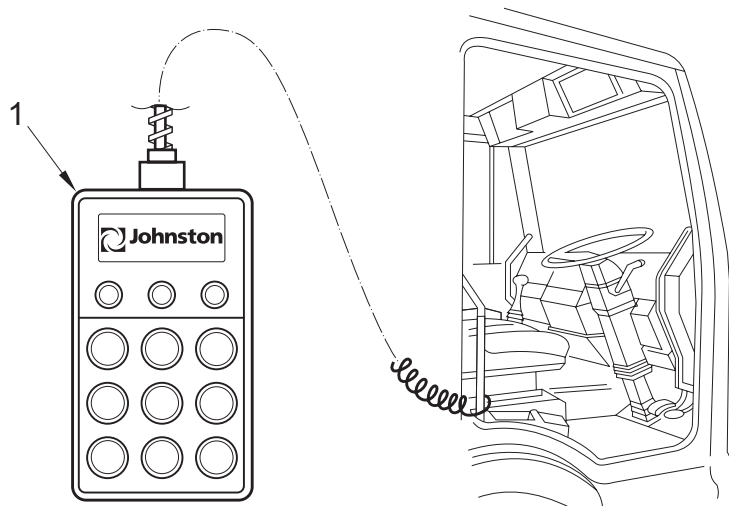
* The Mountings and positions of these controls are chassis related. Contact the Johnston Parts Department, quoting the machine serial number, for further information.

The Mounting Parts are not supplied with standard ESU's.

Johnston reference drawings:

The relevant installation drawing can be found via the Chassis Drawing Matrix shown in Chapter 33 page 33:2.

Load Discharge Pendant



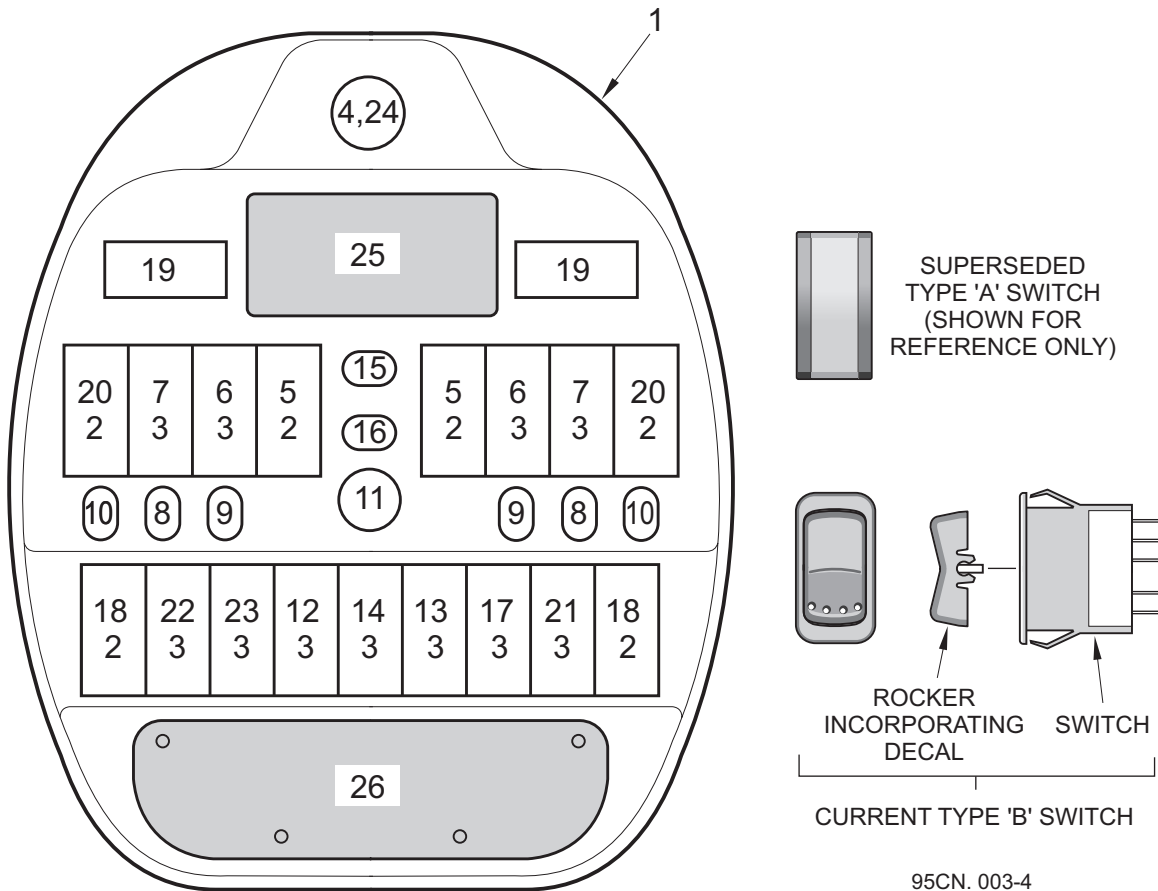
96CN.003

BoM 950313

Item No.	Part No.	Description	Quantity
	283440-2	Discharge Pendant Assembly	1

Notes

Switch Panel



BoM 950310

VT Panel Assemblies

	Part No.	Description
	Type 'B' Switches	
>	950312-60 to 63 950312-64 to 67	Iveco Standard Power 24v Switch Panels Iveco High Power 24v Switch Panels
>	950312-68 to 71	John Deere Standard Power 12v Switch Panels
>	950312-72 to 75	John Deere High Power 12v Switch Panels

VS Panel Assemblies

950312-43 to 46	Hydrodrive 12v Switch Panels
950312-47 to 50	Hydrodrive 24v Switch Panels

Note

Quote machine serial number when ordering a replacement panel.

Switch Panel

Drg. 950312 shts 3, 4

Item No.	Part No. Type 'B' Switches	Description	Quantity	
			Single	Dual
1	282350-1	Switch Panel Casing	1	1
2	735-70	Switch Frame - End Piece	6	6
3	735-71	Switch Frame - Centre Piece	11	11
4		Maxigap:		
	99-95	Joystick - 2 Position	1	1
	99-1	Body Contact	1	1
5		Wide Sweep Brush:		
	735-07	Switch - 3 Position, Detent 12v	1	
	735-27	Switch - 3 Position, Detent 24v	1	2
	735-103	Rocker with Wide Sweep Brush Decal	1	2
	735-60	Blanking Plate	1	-
6		Nozzle:		
	735-07	Switch - 3 Position, Detent 12v	1	2
	735-27	Switch - 3 Position, Detent 24v	1	2
	735-102	Rocker with Nozzle Decal	1	1
	735-60	Blanking Plate	1	-
7		Channel Brush:		
	735-07	Switch - 3 Position, Detent 12v	1	2
	735-27	Switch - 3 Position, Detent 24v	1	2
	735-101	Rocker with Channel Brush Decal	1	1
	735-60	Blanking Plate	1	-
8		Gutter Spray:		
	43-100	Switch - Low Pressure Water 12v	1	2
	43-200	Switch - Low Pressure Water 24v	1	2
	43-1	Blanking Plate	1	-
9		Inlet Flap:		
	43-102	Switch - Inlet Flap 12v	-	2
	43-202	Switch - Inlet 24v 24v	-	2
	43-1	Blanking Plate	2	-
10		Worklamp:		
	43-101	Switch - Worklamp 12v	1	2
	43-201	Switch - Worklamp 24v	1	2
	43-1	Blanking Plate	1	-
11		Programme Switch:		
	99-92	Base + Light 12v	1	1
	99-93	Base + Light 24v	1	1
	99-4	Contact - N.O.	1	1
	99-94	Operating Head	1	1
12	735-60	Blanking Plate	1	1

Switch Panel

Item No.	Part No. Type 'B' Switches	Description	Quantity		
			Single	Dual	
13		Beacon:			
	735-06	Switch - 2 Position, Detent 12v	1	1	
	735-26	Switch - 2 Position, Detent 24v	1	1	
	735-108	Rocker with Beacon Decal	1	1	
14		Low Water/Speed Selector			
	735-09	Switch - 3 Position, Spring Centre 12v)	1	1	
	> 735-29	Switch - 3 Position, Spring Centre 24v) Part of	1	1	
>	735-121	Rocker with Low Water/Speed Select) item 26 Decal)	1	1	
Options					
15		Powathrust - KT00395			
	43-104	Switch 12v	1	1	
	43-204	Switch 24v	1	1	
	43-1	Blanking Plate (when not fitted)	1	1	
16		Powascrub - KT00495			
	43-103	Switch 12v	1	1	
	43-203	Switch 24v	1	1	
	43-1	Blanking Plate (when not fitted)	1	1	
17		Supawash - KT06595			
	735-06	Switch - 2 Position, Detent 12v	1	1	
	735-26	Switch - 2 Position, Detent 24v	1	1	
	735-106	Rocker with Supawash Decal	1	1	
	735-60	Blanking Plate (when not fitted)	1	1	
18		Recirculation Water - KT07795			
	735-06	Switch - 2 Position, Detent 12v	1	2	
	735-26	Switch - 2 Position, Detent 24v	1	2	
	735-107	Rocker with Recirculation Water Decal	1	2	
	735-60	Blanking Plate	1	-	
	735-60	Blanking Plate (when not fitted)	2	2	
19		Variabrush - KT00295	LHS	RHS	Dual
	735-11	Switch - 3 Position, Spring Centre 12v	1	1	2
	735-31	Switch - 3 Position, Spring Centre 24v	1	1	2
	735-110	Rocker with LH Variabrush Decal	1	-	1
	735-111	Rocker with RH Variabrush Decal	-	1	1
	735-60	Blanking Plate (when not fitted)	1	1	2
20		Rotatilt - KT07695			
	735-11	Switch - 3 Position, Spring Centre 12v	1	1	2
	735-31	Switch - 3 Position, Spring Centre 24v	1	1	2
	735-104	Rocker with LH Rotatilt Decal	1	-	1
	735-105	Rocker with RH Rotatilt Decal	-	1	1
	735-60	Blanking Plate (when not fitted)	1	1	2

Switch Panel

Item No.	Part No. Type 'B' Switches	Description	Quantity	
			Single	Dual
21		Additional Lights - KT08195		
	735-06	Switch - 2 Position, Detent 12v	1	1
	735-26	Switch - 2 Position, Detent 24v	1	1
	735-120	Rocker with Additional Lights Decal	1	1
	735-60	Blanking Plate (when not fitted)	1	1
22		Additional Worklight - KT07995		
	735-06	Switch - 2 Position, Detent 12v	1	1
	735-26	Switch - 2 Position, Detent 24v	1	1
	735-118	Rocker with Additional Worklight Decal	1	1
	735-60	Blanking Plate (when not fitted)	1	1
23		Additional WSB Water - KT08095		
	735-06	Switch - 2 Position, Detent 12v	1	1
	735-26	Switch - 2 Position, Detent 24v	1	1
	735-119	Rocker with Additional WSB Water Decal	1	1
	735-60	Blanking Plate (when not fitted)	1	1
24		Varagap - KT07895		
	99-96	Joystick - 3 Position Spring Return	1	1
	99-1	Body Contact	1	1
BoM 950312				
>	25	282237-2	Instrument Panel - Iveco High Power Engine	1
		282237-3	Instrument Panel - VS Hydrodrive	1
		282237-4	Instrument Panel - Iveco Standard Power and John Deere Standard and High Power Engines	1
	26	Powapak Control Panel - See over page		

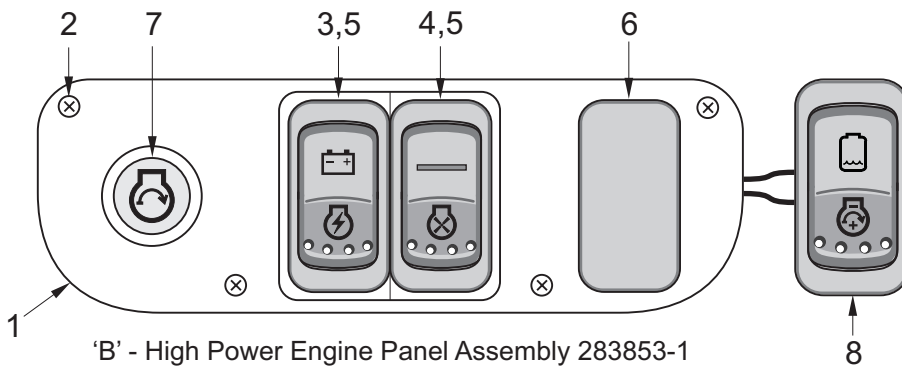
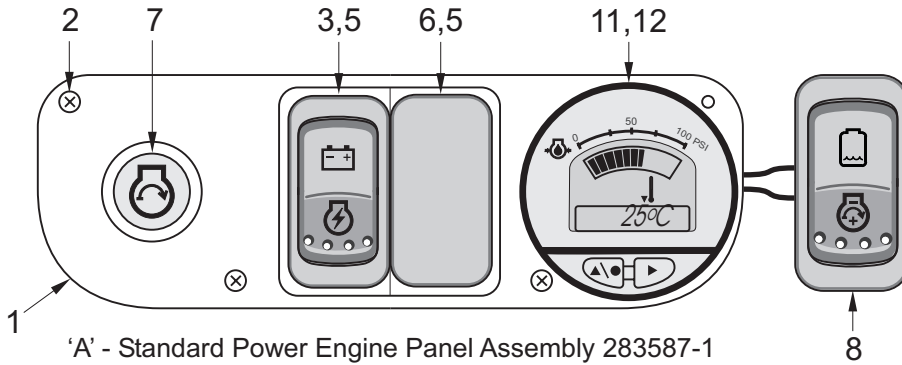
Notes

Instrument panels, item 25, have a code number on a label on the back. Quote this number when ordering a replacement.

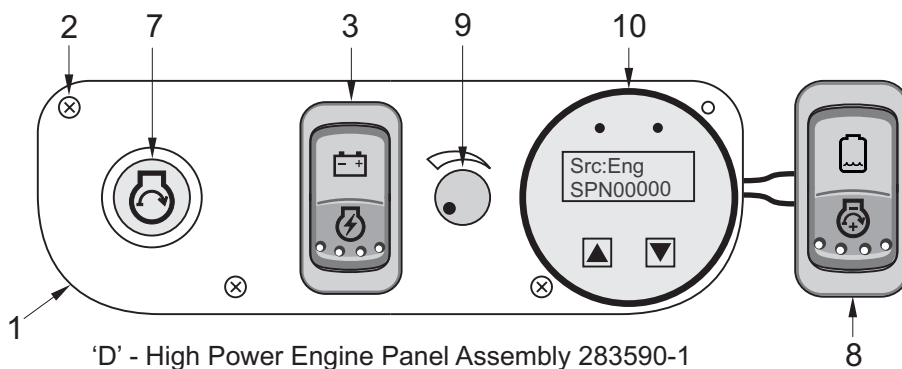
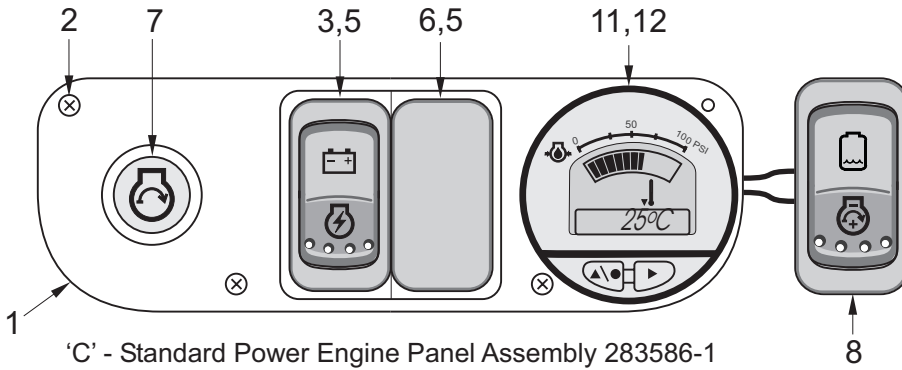
- > The numbers are:
- Iveco High Power - Code No.0003
 - Iveco Standard Power and John Deere Standard and High Power - Code No.0004
 - Hydrodrive - Code No.0005

VT Range Powapak Control Panels

IVECO ENGINES



JOHN DEERE ENGINES



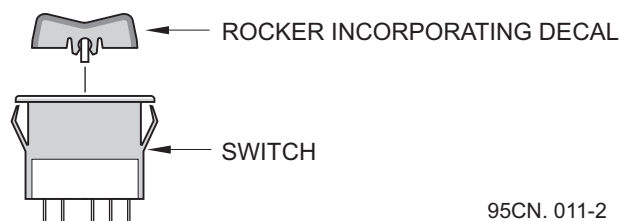
95CN. 011-3

VT Range Powapak Control Panels

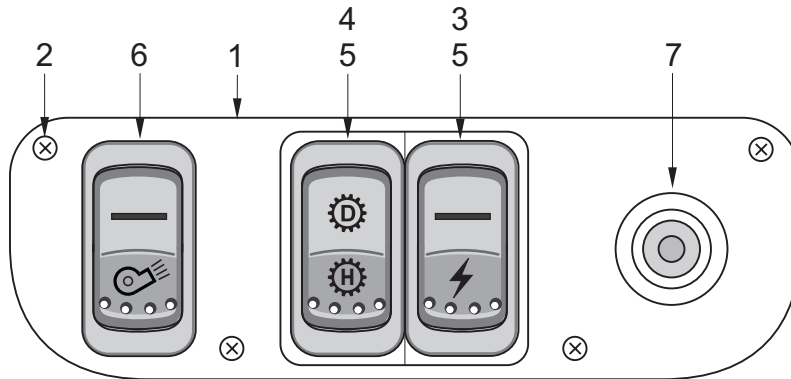
Drg. 950312

Item No.	Part No.	Description	Quantity			
			'A'	'B'	'C'	'D'
1	282353-1	Mounting Plate	-	1	-	-
	282353-2	Mounting Plate	1	-	1	-
	282353-4	Mounting Plate	-	-	-	1
2	135-151	Screw - Pan Head M4 x 16	4	4	4	4
3		Engine Ignition:				
	735-30	Switch - 3 Position, Spring Centre 24v	1	-	-	-
	735-34	Switch - 2 Position, Detent 24v	-	1	-	-
	735-10	Switch - 3 Position, Spring Centre 12v	-	-	1	-
	735-14	Switch - 2 Position, Detent 12v	-	-	-	1
	735-125	Rocker with Ignition Decal	1	1	1	1
4		Engine Resume:				
	735-28	Switch - 3 Position, Spring Centre 24v	-	1	-	-
	735-116	Rocker with Engine Resume Decal	-	1	-	-
5	735-70	Switch Frame - End Piece	2	2	2	-
6	735-60	Switch Blanking Plate	1	1	1	-
7		Engine Start:				
	99-93	Base + Light 24v	1	1	-	-
	99-92	Base + Light 12v	-	-	1	1
	99-4	Contact - N.O.	1	1	1	1
	99-5	Contact - N.C.	1	1	1	1
	99-67	Operating Head	1	1	1	1
> 8	-	Switch - Low Water/Engine Speed See 'Switch Panel' item 14.				
9	31-497	Potentiometer 4k7	-	-	-	1
10	282934-1	Diagnostics Gauge	-	-	-	1
11	12705	Gauge Blanking Plate (Used when item 12 is not fitted)	1	-	1	-
KT00695						
12	282740-1	Gauge Pod - Oil Press./Water Temp. (Optional)	1	-	1	-

Switch Details



95CN. 011-2

VS Range Powapak Control Panel


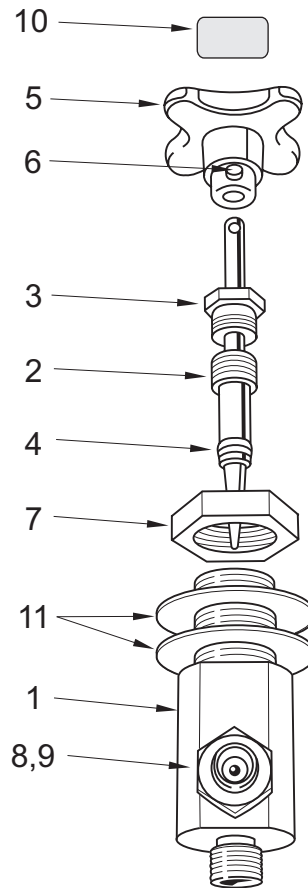
95CN. 004-10

Assemblies

 283589-1 HydroDrive 12v
 283589-2 HydroDrive 24v

Item No.	Part No. Type 'B' Switches	Description	Quantity
1	282353-3	Plate - Hydrodrive	1
2	135-151	Screw Pan Hd. M4 x 16	4
3	735-08	Switch - 3 Position, Spring Centre 12v	1
	735-28	Switch - 3 Position, Spring Centre 24v	1
	735-109	Rocker with Master Switch Decal	1
4	735-08	Switch - 3 Position, Spring Centre 12v	1
	735-28	Switch - 3 Position, Spring Centre 24v	1
	735-113	Rocker with Gearbox Engage Decal	1
5	735-70	Switch Frame - End Piece	2
6	735-07	Switch - 3 Position, Detent 12v	1
	735-27	Switch - 3 Position, Detent 24v	1
	735-114	Rocker with Suction Fan Decal	1
7	48-83	Joystick - Forward/Neutral/Reverse	1
	48-85	Contact	2

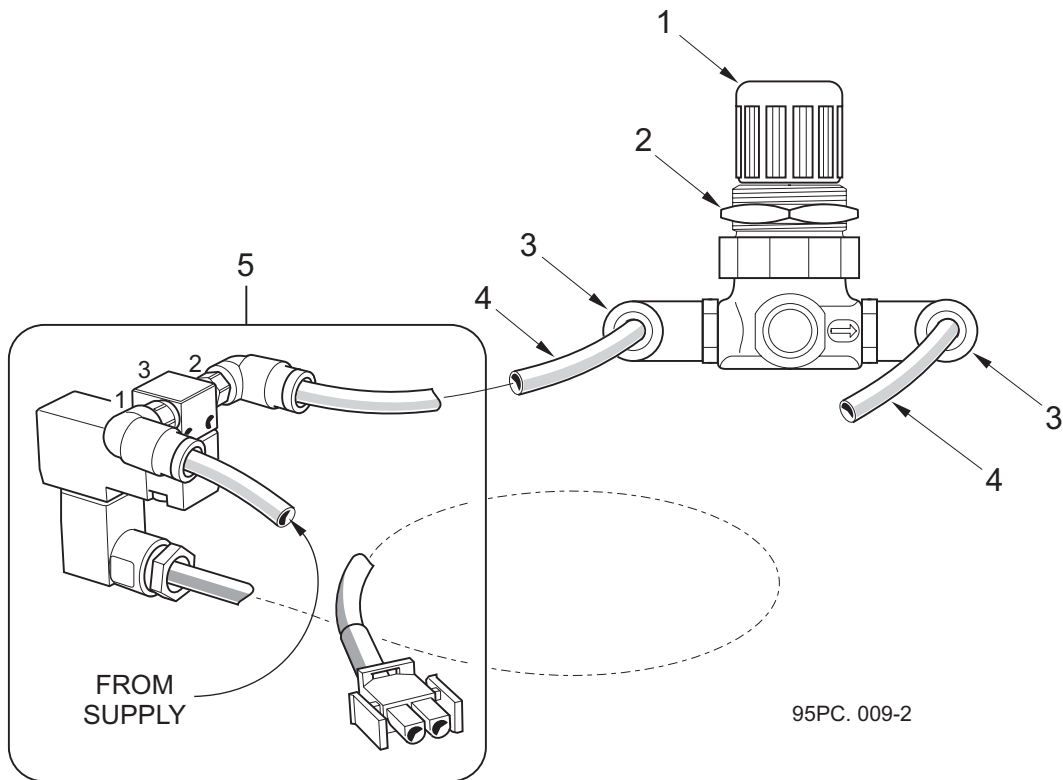
Channel Brush Speed Control



95CN. 005-2

BoM 950322

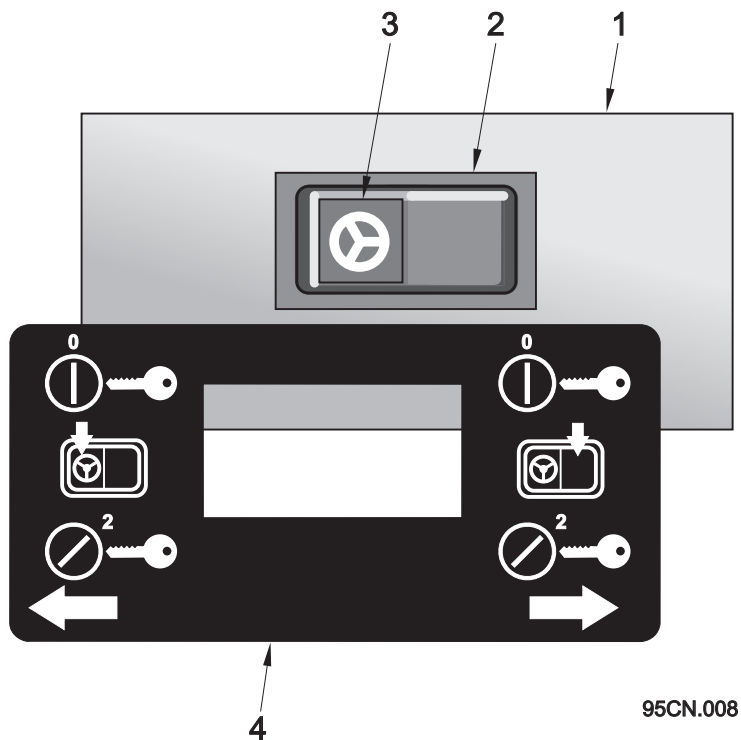
Item No.	Part No.	Description	Quantity
	3730-1	Flow Control Valve comprising:	1
1	26106-1	Body	1
2	26107-1	Spindle	1
3	26108-1	Gland	1
4	79-52	'O' Ring	2
5	41045-2	Handwheel	1
6	135-9	Grubscrew M6c x 8	1
7	410-18	Nut - Mounting 3/4"	1
8	265-2	Adaptor - Reducing 3/8" x 1/4" BSP	1
9	451-17	Washer - Sealing 1/4" BSP	1
10	-	Label 2:12 on Decals Chapter 34	-
11	450-16	Washer - Plain, for mounting valve	2

Powasave Pressure Control - Option

KT00395

Item No.	Part No.	Description	Quantity
	282627	Regulator Assembly comprising items 1 to 3:	
1	72-14	Regulator	1
2	72-15	Panel Nut	1
3	538-3	Swivel Elbow 1/8" x Ø6	2
4	273-21	Tube - Red Ø6	12m
*5	283648-12	Powasave Control Valve Assembly - 12v	1
	283648-24	Powasave Control Valve Assembly - 24v	1

Notes

Dual Steer Changeover Control



95CN.008

KT 10095

Item No.	Part No.	Description	Quantity
	808013-1	Power Switch Assembly Comprising:-	
1	808014-1	Blank - Cab Facia	1
2	48-88	Rocker Switch	1
3	48-111	Lens Insert	1
4	808045-1	Label	1

Notes

CHAPTER

33

Chassis Application**Table of Contents**

Section	Page
Introduction	
Chassis Related Parts	33 : 2
Components	
Weight Load Indicator - Steel Suspension	33 : 3
Weight Load Indicator - Air Suspension	33 : 5
Fuel Tank Access Ladder	33 : 6
VS Hydrodrive	
Clutch Safety Switch Installation	33 : 8

Chassis Related Parts

The items listed below vary depending on what chassis the Johnston sweeper equipment is mounted to.

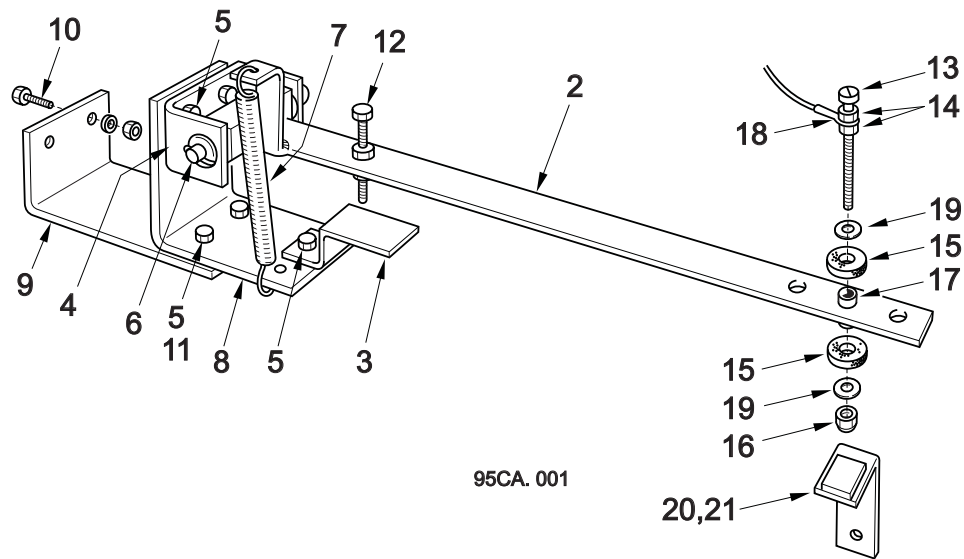
If any parts for these areas are required, contact the Johnston Parts Department quoting the machine serial number shown on the plate fitted to the subframe crossmember below the body rear door.

- Batteries and battery mounting
- Cab - Sweep control installations (Chapters 24 and 32)
- Cab - single and dual steer parts
- Body discharge interlock
- Rear mounted fuel tank
- Gutter and wide sweep brush water spraybar mountings (Chapters 24 and 26)
- Supawash hose reel and front bumper spraybar mountings (Chapter 30.SW)
- Rear underrun bumper
- Rear mudguards and mudflaps
- Subframe to chassis mounts
- Work lights (Chapter 31)
- Channel brush pivot frame support posts (Chapter 24)
- Channel brush hydraulic hoses 75 and 84 (Chapter 24)
- Wide sweep brush hydraulic hoses 70 to 74 (Chapter 26)
- Customer options i.e. autolube, special beacons, reversing camera, handwash etc.

Chassis Specification Sheets plus Drawing Lists covering the above components are as follows:

Chassis	Chassis Spec. No.		Chassis Matrix List No.	
	*T	*S	*T	*S
DAF FA LF45 12 Tonne	C201	-	CM202	-
DAF FA LF55 13 Tonne	C202	-	CM202	-
DAF FA LF55 15 Tonne	C203	C103	CM203	CM103
DAF FA LF55 18 Tonne	C204	-	CM204	-
IVECO ML 130E 13 Tonne Tector	C209	-	CM209	-
IVECO ML 150E 15 Tonne Tector	C210	-	CM210	-
IVECO ML 180E 18 Tonne Tector	C211	-	CM211	-
IVECO ML 120E 12 Tonne Tector	C212	C112	CM212	CM112
MAN 15.225 LK 15 Tonne	C216	C116	CM216	CM116
MERCEDES ATEGO 10.5 Tonne, KO	C219	-	CM219	-
MERCEDES ATEGO 13.5 Tonne, LKO	C220	-	CM220	-
MERCEDES ATEGO 15 Tonne, LKO	C221	-	CM221	-
MERCEDES ATEGO 18 Tonne, K	C222	C122	CM222	CM122
RENAULT MIDLUM 220-12 'Balayeuse'	C223	C123	CM223	CM123
RENAULT MIDLUM 220-14 'Balayeuse'	C224	-	CM224	-
RENAULT MIDLUM 220-15 'Balayeuse'	C225	C125	CM225	CM125
SCANIA P94DB NZ	C227	-	CM227	-
VOLVO FLH 15 Tonne	C228	-	CM228	-
VOLVO FLE 18 Tonne	C229	-	CM229	-

Weight Load Indicator - Steel Suspension Chassis



Chassis Matrix - Various

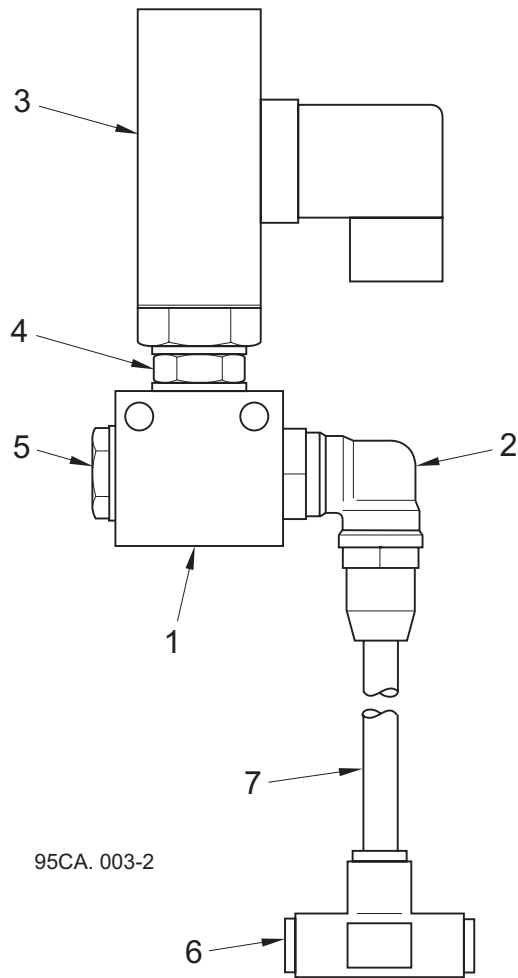
Item No.	Part No.	Description	Quantity
	807336-1	Load Indicator - Short, comprising items 1 and 20	
	807336-2	Load Indicator - Long, comprising items 1 and 21	
1	20724-1	Weight Load Indicator Assembly comprising items 2 to 19	
2	281745-1	Arm	1
3	281739-1	Stop Plate	1
4	281738-1	Support Bracket	1
5	124-103	Screw M6 x 20	5
	460-8	Washer - Spring M6	5
	420-13	Nut M6	5
6	281742-1	Pin	1
	455-10	Washer - Plain M8	4
	500-70	Split Pin	2
7	6275-1	Spring	1
8	20723-1	Support Link	1
9	20722-1	Support Bracket	1
10	124-105	Screw M6 x 25	2
	460-8	Washer - Spring M6	2
	420-13	Nut M6	2
11	455-8	Washer - Plain M6	2
12	124-113	Screw M6 x 50	1
	420-13	Nut M6	2

Weight Load Indicator Switch - Steel Suspension Chassis

Item No.	Part No.	Description	Quantity
13	124-113	Setscrew M6c x 50	1
14	410-27	Nut - M6c x 50	2
15	453-20	Washer - Nylon	2
16	425-13	Nut - Nyloc M6c	1
> 17	17369	Insulator - Nylon Tube	1
18	50-43	Ring Terminal	1
19	457-2	Washer - Large M6	2
20	6369-1	Contact Bracket - Short	
21	6369-9	Contact Bracket - Long	

Notes

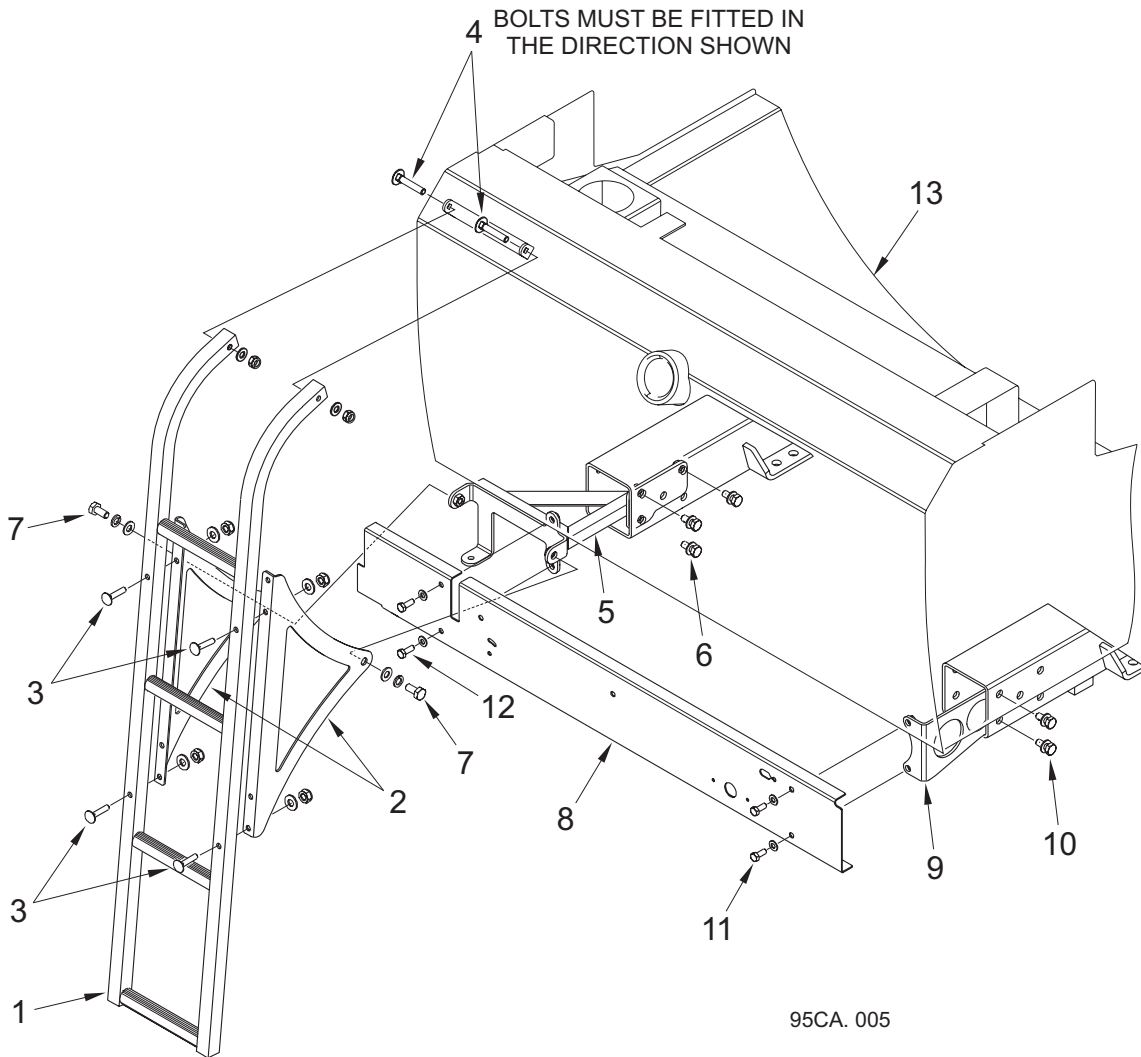
Weight Load Indicator Switch - Air Suspension Chassis



Chassis Matrix - Various

Item No.	Part No.	Description	Quantity
	802780-2	Air Switch Assembly comprising:	
1	802779-1	Air Switch Block	1
2	4505-469	Elbow x Ø8 Tube	1
3	72-52	Air Pressure Switch	1
4	263-2	Adaptor 1/4" BSP	1
	451-17	Washer - Sealing 1/4" BSP	2
5	54-12	Collar Plug	1
	451-17	Washer - Sealing 1/4" BSP	1
6	277-54	Equal Tee x Ø8 Tube	1
7	39394	Air Brake Tube	As Req'd

Access Ladder and Valance Installation



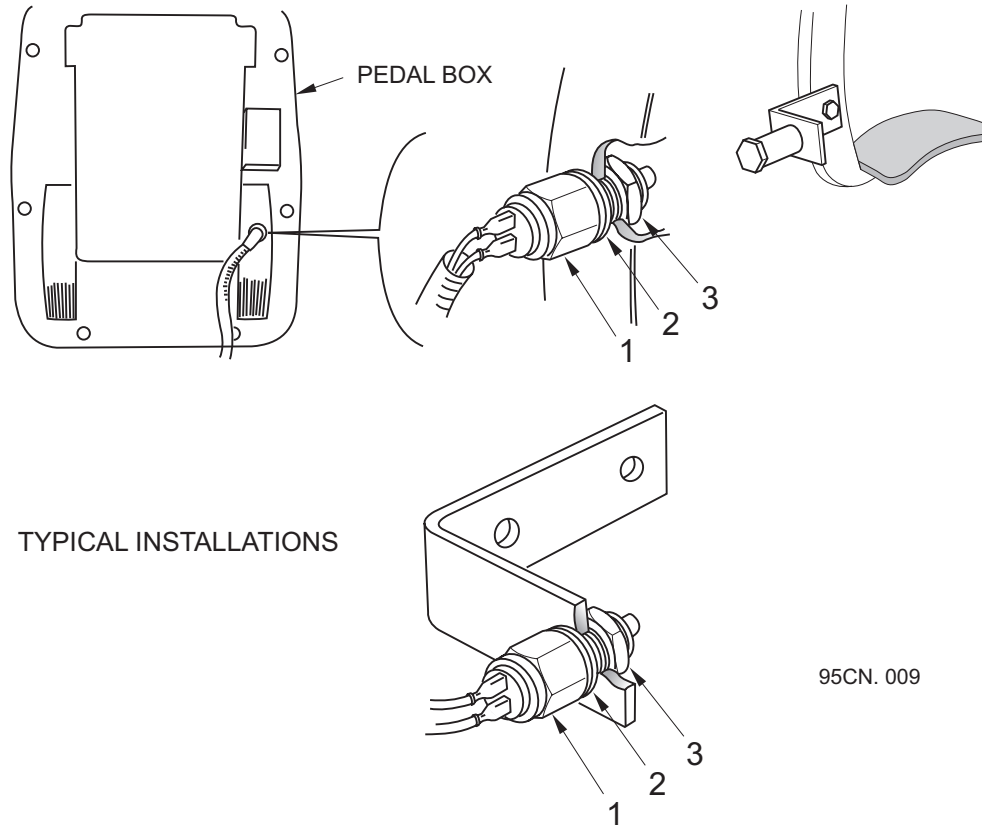
Chassis Matrix - Various

Item No.	Part No.	Description	Quantity
	282440	Ladder Installation Drawing	
1	282561-1	Access Ladder	1
2	283657-1	Stay	2
3	136-22	Carriage Bolt M8 x 40	4
	455-10	Washer - Plain M8	4
	425-14	Nut - Nyloc M8	4
4	136-23	Carriage Bolt M8 x 45	2
	455-10	Washer - Plain M8	2
	425-14	Nut - Nyloc M8	2

Access Ladder and Valance Installation

Item No.	Part No.	Description	Quantity
5	283650-1	Mount	1
6	135-29	Screw - Self Locking M10 x 25	3
	455-11	Washer - Plain M10	3
7	124-168	Screw M10 x 22	2
	460-11	Washer - Spring M10	2
	455-11	Washer - Plain M10	2
8	283655-1	Valance	1
9	283658-1	Bracket	1
10	124-203	Screw M12 x 30	2
	460-12	Washer - Spring M12	2
	455-12	Washer - Plain M12	2
11	124-135	Screw M8 x 20	2
	455-10	Washer - Plain M8	2
12	124-136	Screw M8 x 22	2
	455-10	Washer - Plain M8	2
13		Fuel Tank - See Chapter 22	

Notes

VS Clutch Switch Safety Feature


Item No.	Part No.	Description	Quantity
* 1	48-149	Sensor Switch	1
* 2	457-6	Washer - Plain Ø12	2
* 3	410-33	Lock Nut	1

Note

* These parts are chassis related. Contact the Johnston Parts Department, quoting the machine serial number, for further information.

The above parts are not supplied with standard ESU's.

Johnston reference drawings:

The relevant installation drawing can be found via the Chassis Drawing Matrix shown in chapter 33 page 33:2.

CHAPTER

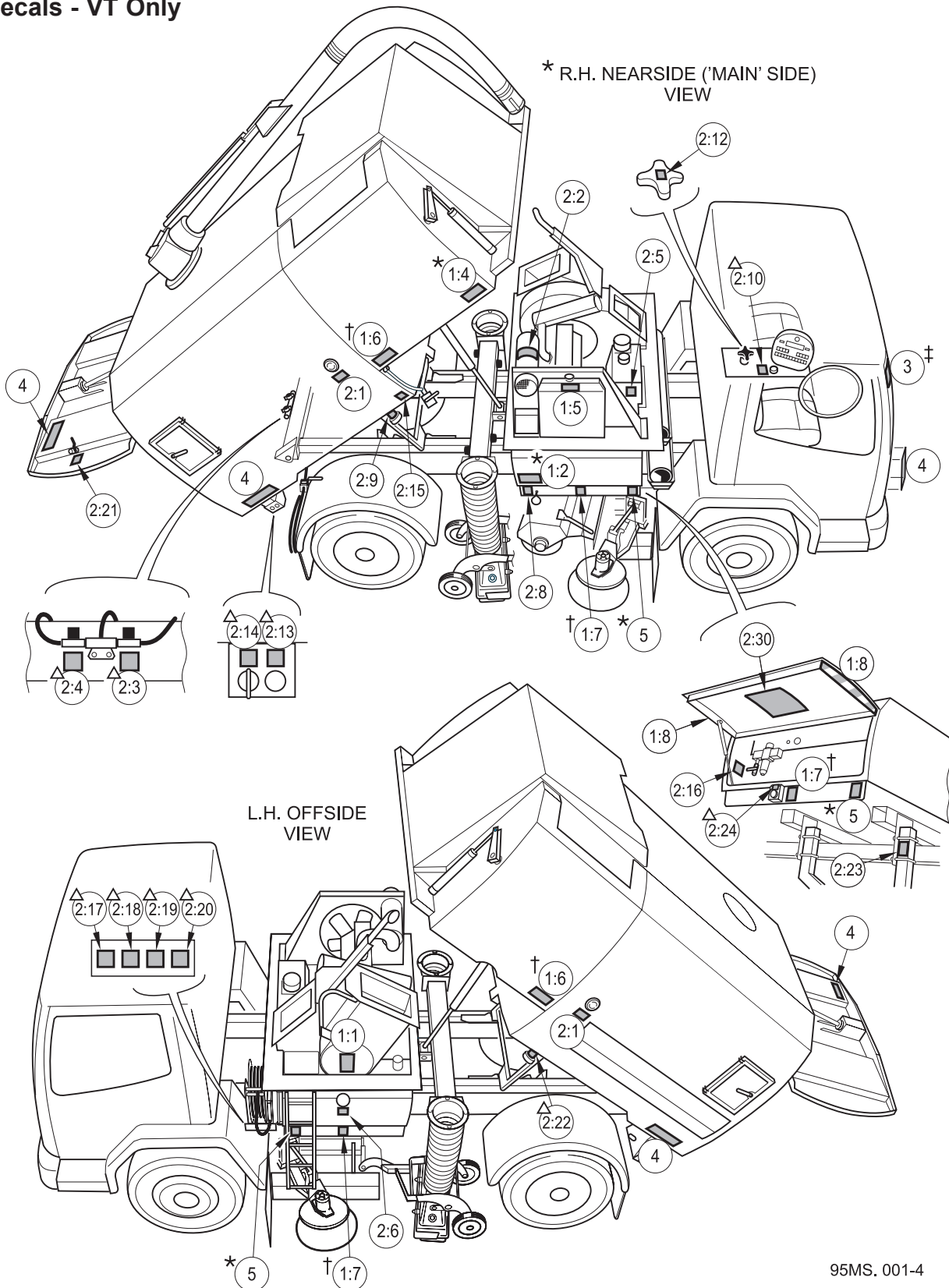
34

Miscellaneous

Table of Contents

Section	Page
Decals - VT Only	34 : 2
Decals - VS Only	34 : 4
Lubricants and Tool Kit	34 : 6

Decals - VT Only



95MS. 001-4

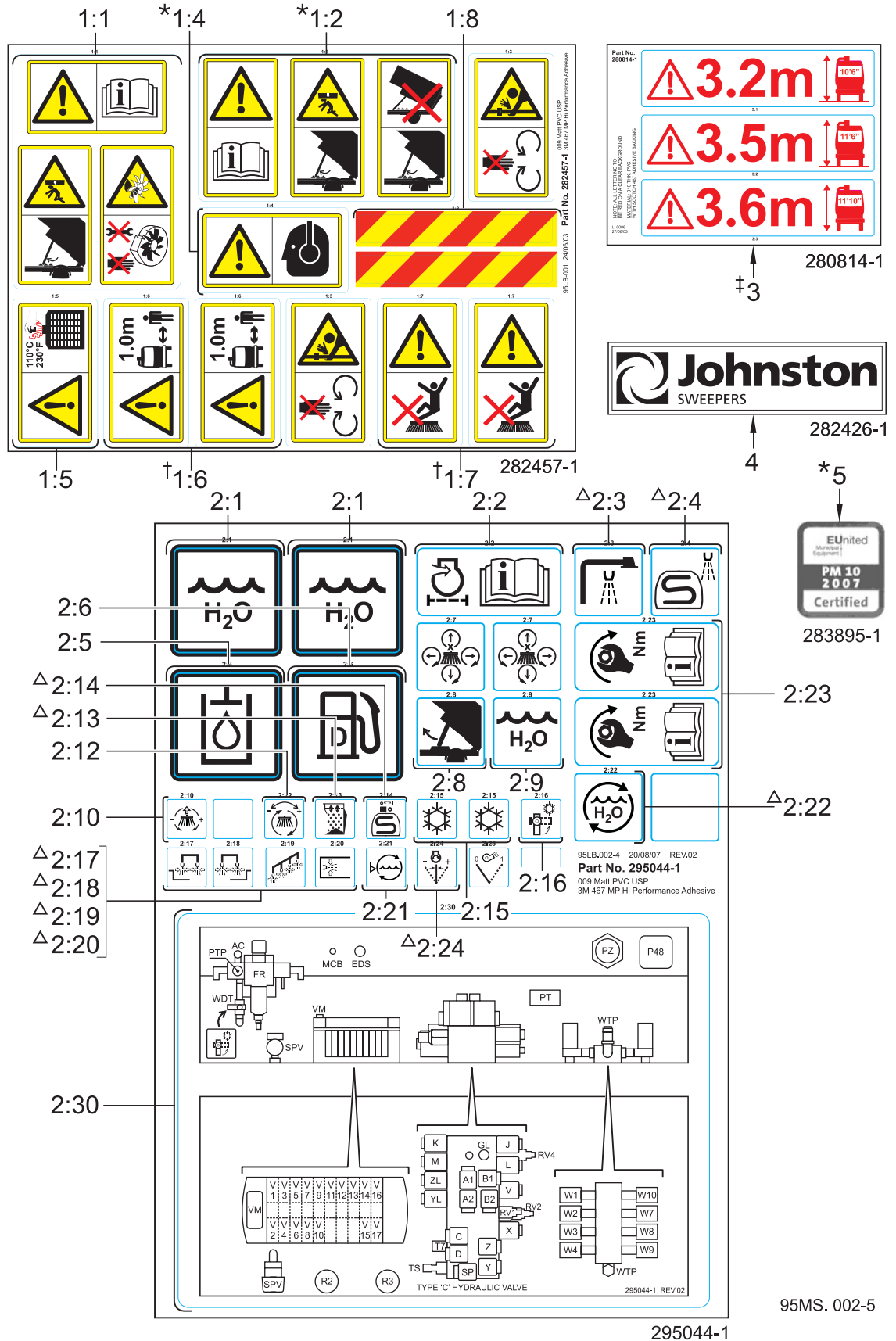
* 1:2,1:4 & 5 Fit to 'main' side of machine, i.e. R.H. dual sweep machine R.H. side (As shown)
L.H. dual sweep machine L.H. side

† 1:6 & 1:7 Fit to both sides of machine, single & dual sweep machines.

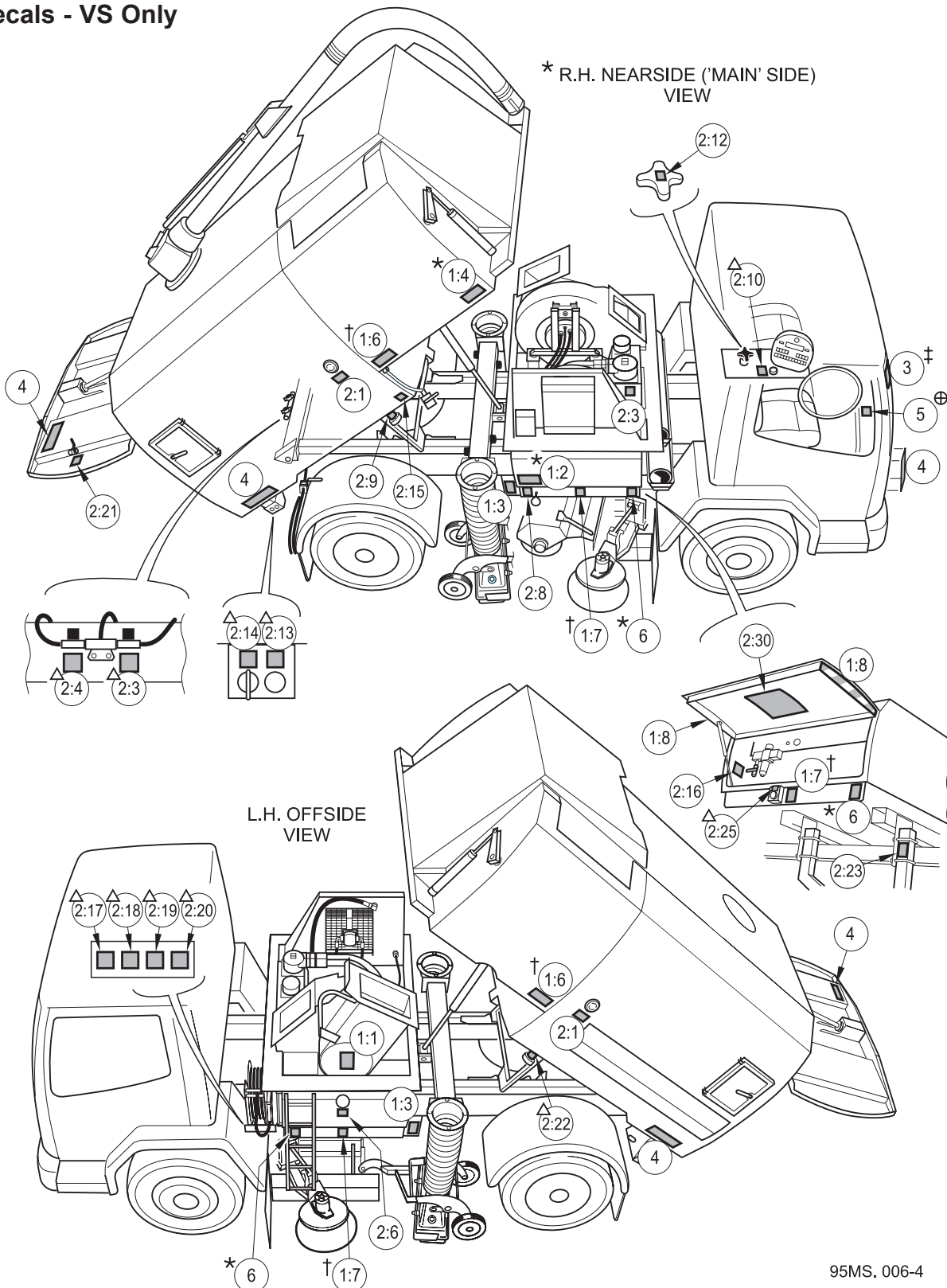
‡ 3 Fit label appropriate to vehicle height + 50mm.

ΔX:XX Optional equipment.

BoM 951811



Decals - VS Only



95MS. 006-4

* 1:2, 1:4 & 6 Fit to 'main' side of machine, i.e. R.H. dual sweep machine R.H. side (As shown)
L.H. dual sweep machine L.H. side

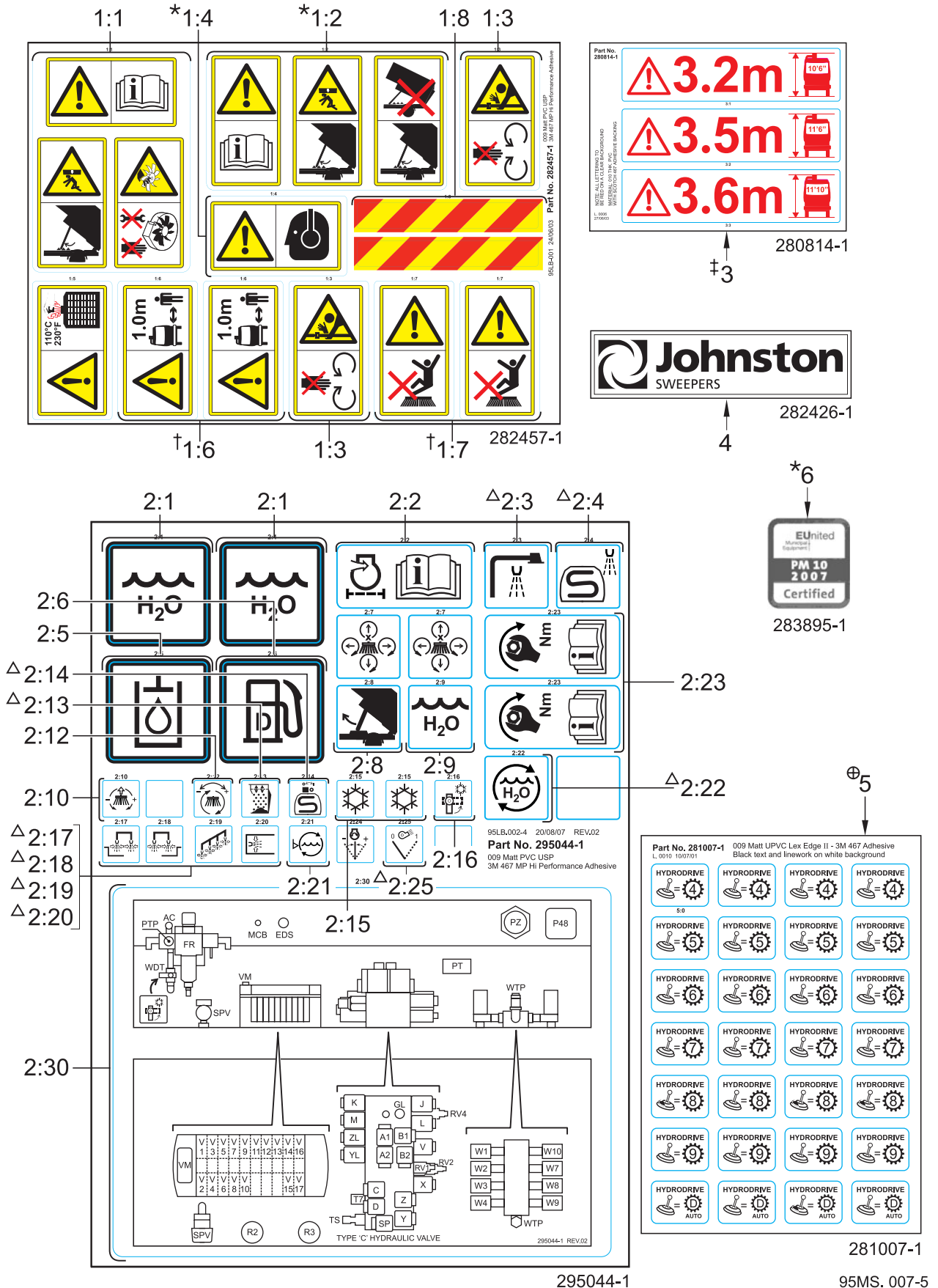
† 1:6 & 1:7 Fit to both sides of machine, single & dual sweep machines.

‡ 3 Fit label appropriate to vehicle height + 50mm.

⊕ 5 Chassis gearbox direct (1:1) drive. Actual gear depends on chassis.

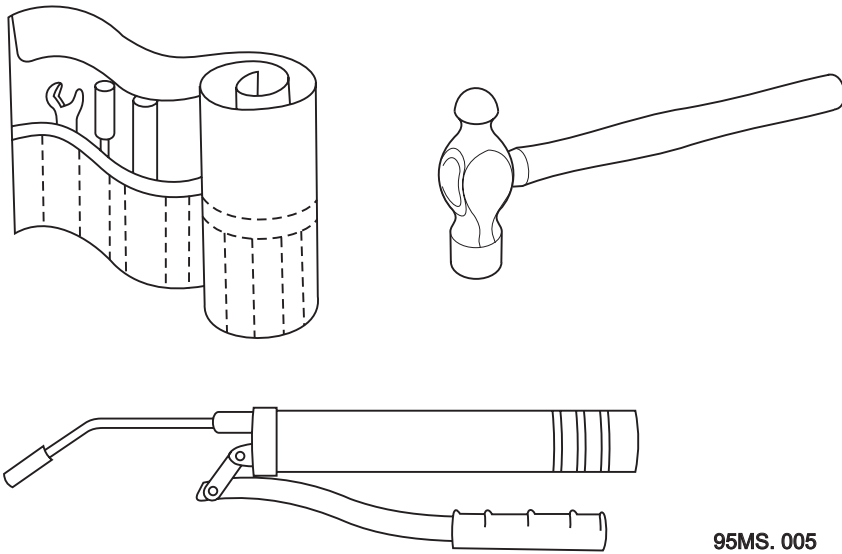
ΔX:XX Optional equipment.

BoM 951811

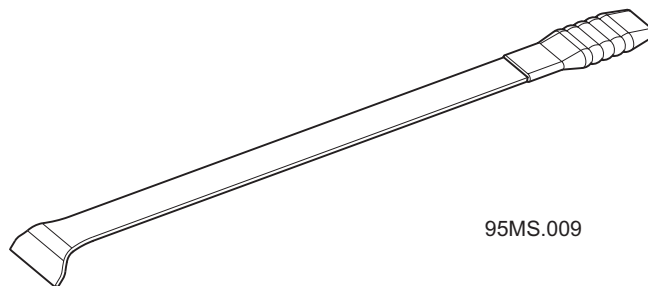


Lubricants

Part No.	Description	Quantity
39671	Vitaliser Fluid	Top Up Bottle
39672-5	Hydraulic Oil	5 Litre Can
39673-5	Fluid Flywheel Oil	5 Litre Can
39675-5	Automatic Transmission and Power Steering Fluid	5 Litre Can
39676-5	Engine Oil	5 Litre Can
39677-5	Gearbox Oil	5 Litre Can
39678-5	Antifreeze	5 Litre Can

Tool Kit - KT03995

95MS.005

Part No.	Description
282499-1	Tool Kit

Fan Scraper - Option

95MS.009

Suction Fan Scraper Pt. No. 283665-1 for cleaning debris from underside of blades to prevent vibration. See Operator's Guide, Chapter 6, Routine Maintenance, Suction Fan Impeller and Casing.

CHAPTER

35

Optional Equipment

Table of Contents

Section	Page
Ancillary Equipment	
Handwash Unit	35.AE : 1
CCTV Cameras	35.AE : 5
Water Hydrant Kit	35.AE : 9
Rear LED Warning Lights	35.AE : 11
Body	
Top Mounted Access Door	35.BD : 1
Heavy Duty Intake Components	35.BD : 3
Contractors Rear Door	35.BD : 5
Sweep Gear	
Varagap Nozzle	35.SG : 1
Full Width Nozzles	35.SG : 5
Wanderhose Lo-Level Water Injection	35.SG : 15
Heavy Duty Nozzle Carriage Components	35.SG : 19
Rear Mounted Wanderhose	35.SG : 21
Wanderhose Gulley Pack	35.SG : 29
Combivak Nozzle	35.SG : 33
Water System	
Microtrap Spray System	35.WS : 1
Water Recirculation System	35.WS : 5
> Auxiliary Water Tank	35.WS : 11
> Pump Low Water By-pass Valve	35.WS : 21

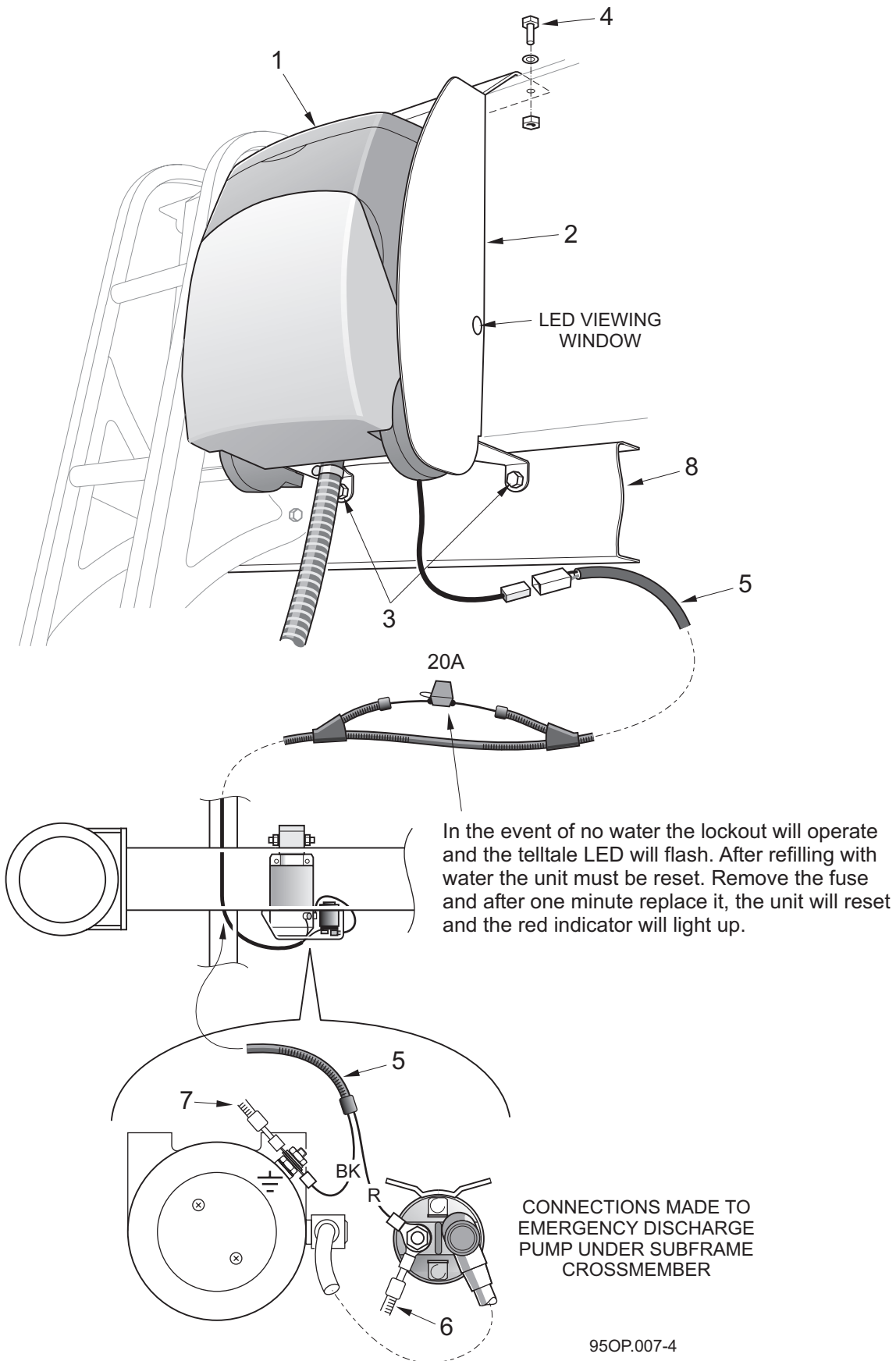
35.AE

Ancillary Equipment - Handwash Unit

Table of Contents

Section	Page
Handwash Unit	35.AE : 2

Handwash Unit



Handwash Unit**BoM KT04095**

Item No.	Part No.	Description	Quantity
	807350-1	Handwash - L.H. Installation	
1	222-93	Handwash Unit - 24V	1
2	283779-1	Bracket	1
3	124-135	Screw M8 x 20	2
	455-10	Washer - Plain M8	2
	425-14	Nut - Nyloc M8	2
4	138-125	Screw - Button Hd. M8 x 25	2
	455-10	Washer - Plain	2
	425-14	Nut - Nyloc M8	2
5	293763-1	Handwash Loom	1
6	-	Pump Cable - Red) See Emergency Discharge	
7	-	Pump Cable - Black) Pump - Chapter 28	
8	-	Valance - See Chapter 33, Access Ladder and Valance Installation.	

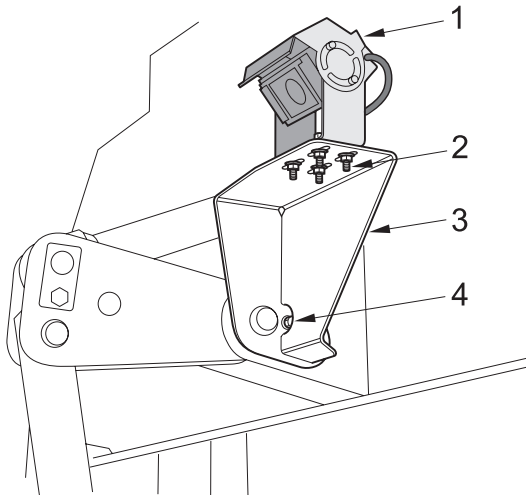
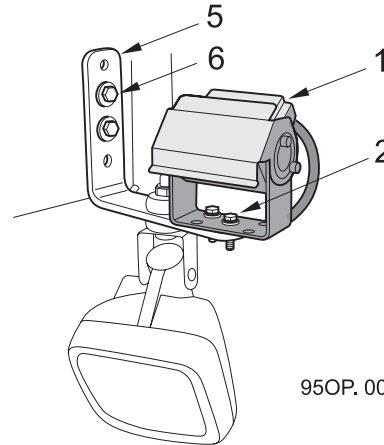
Notes

35.AE

Ancillary Equipment - CCTV Cameras

Table of Contents

Section	Page
Camera/Monitor Kits and Camera Installations	35.AE : 6
Monitor Installation	35.AE : 7

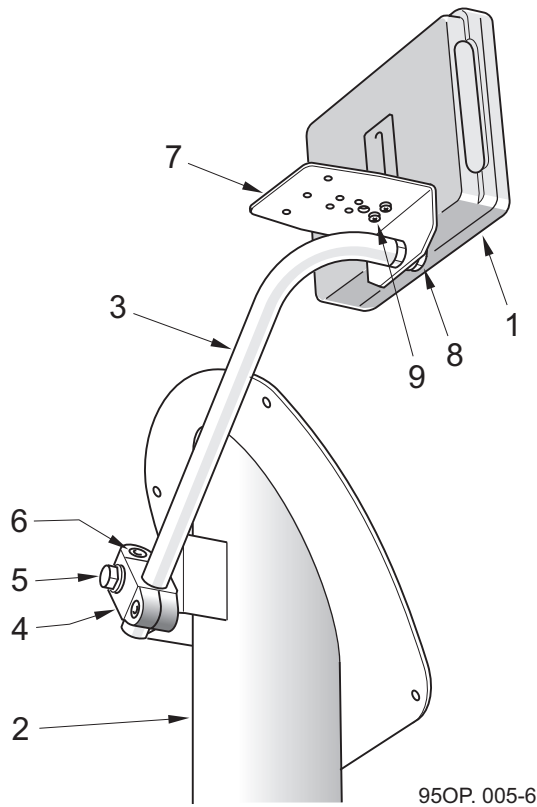
Camera/Monitor Kits and Camera Installations

BODY REAR

BODY SIDE - VALANCE

95OP.005-4

Item No.	Part No.	Description	Quantity	
Ultra Low Light Colour Camera and High Definition Flat Screen Monitor Kits:				
	657-1	One Camera and one 5.6" Monitor		
	657-2	Two Cameras and one 5.6" Monitor		
	657-31	One Camera and one 7.0" Monitor		
	657-32	Two Cameras and one 7.0" Monitor		
	655-33	Three Cameras and one Quad Split Screen Monitor		
BoM KT03795				
			Rear	Side
* 1	-	Camera	1	1
	657-15	Camera Lead x 15m	As Required	
	657-23	Camera Lead x 23m	As Required	
2	124-103	Screw M6 x 20	4	2
	460-8	Washer - Plain	4	2
	420-13	Nut - Nyloc M6	4	2
3	283438-1	Mount	1	-
4	124-132	Screw M8 x 12	1	-
	460-10	Washer - Spring	1	-
>	5	Camera/Worklight Bracket	-	1
	6	124-103	-	2
		460-8	-	4
		420-13	-	2

* Quote the machine serial number and the camera system fitted (if known) when ordering replacement parts.

Monitor Installation



BoM KT03795

Item No.	Part No.	Description	Quantity
	809390-2	Monitor Installation	
* 1	-	5.6" or 7.0" Monitor with Power Leads	
2	807229-1	Pedestal	1
3	809387-1	Monitor Post	1
4	220-251	Cross Clamp 16mm	1
5	124-144	Screw M8 x 45	1
	56569-8	Spacer	1
	455-10	Washer - Plain Ø8	1
6	129-93	Screw - Cap Head M6 x 16	2
	425-13	Nut - Nyloc M6	2
7	809389-1	Monitor Mount	1
8	124-134	Screw M8 x 16	1
	460-10	Washer Spring Ø8	1
	455-10	Washer - Plain Ø8	1
9	134-10	Screw - Pan Head M3 x 6	2
	460-3	Washer Spring Ø3	2
	455-3	Washer - Plain Ø3	2

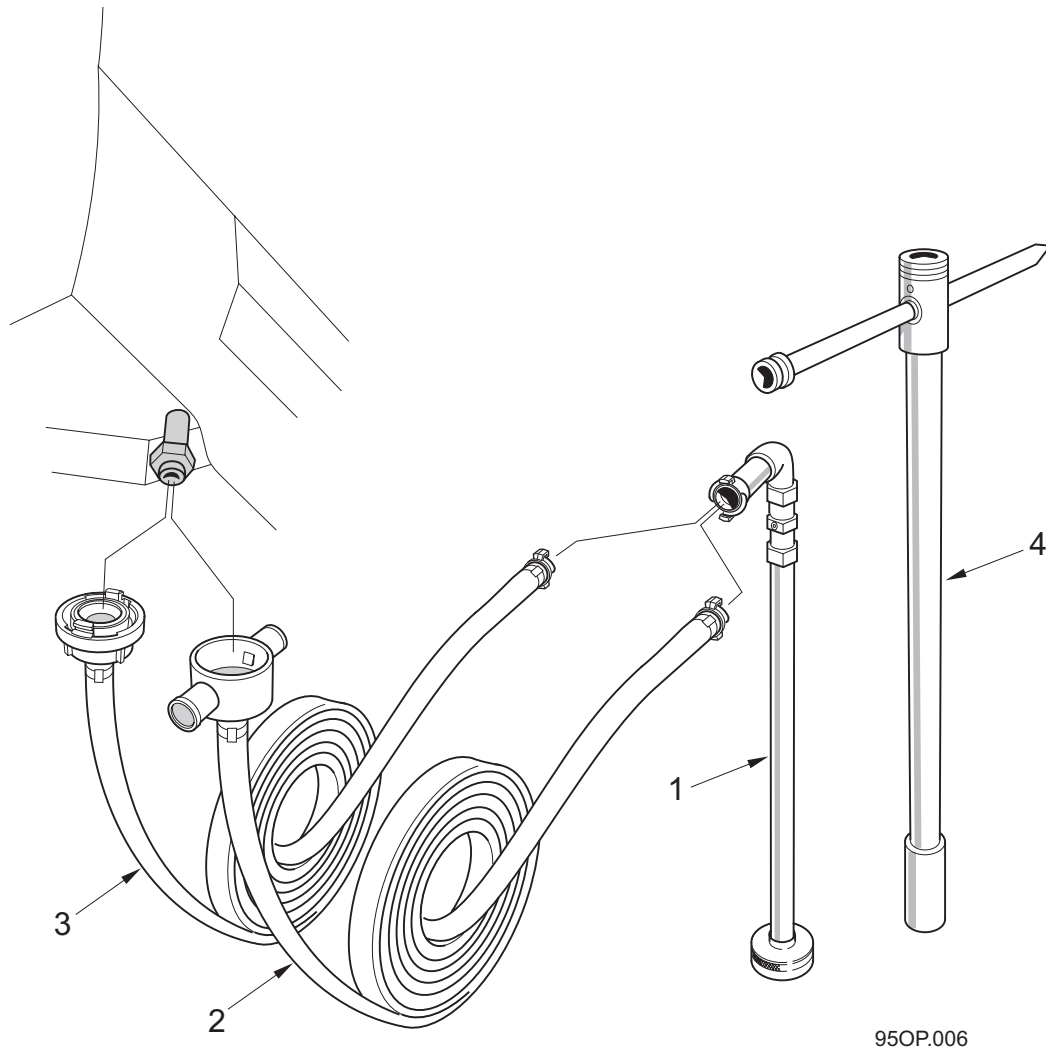
* Quote the machine serial number and the camera system fitted (if known) when ordering replacement parts.

35.AE

Ancillary Equipment - Water Hydrant Kit

Table of Contents

Section	Page
Water Hydrant Kit	35.AE : 10

Water Hydrant Kit

BoM KT04095

Item No.	Part No.	Description	Quantity
1	72688-1	Standpipe Assembly - UK	1
	72688-2	Standpipe Assembly - German	1
	72688-11	Standpipe Assembly - Belfast	1
2	72689-6	Hose Assembly - 2 1/2" Instantaneous Coupling (UK only)	1
3	72689-1	Hose Assembly - Stortz Coupling (66mm between lugs)	1
4	667-6	Key Poker	1

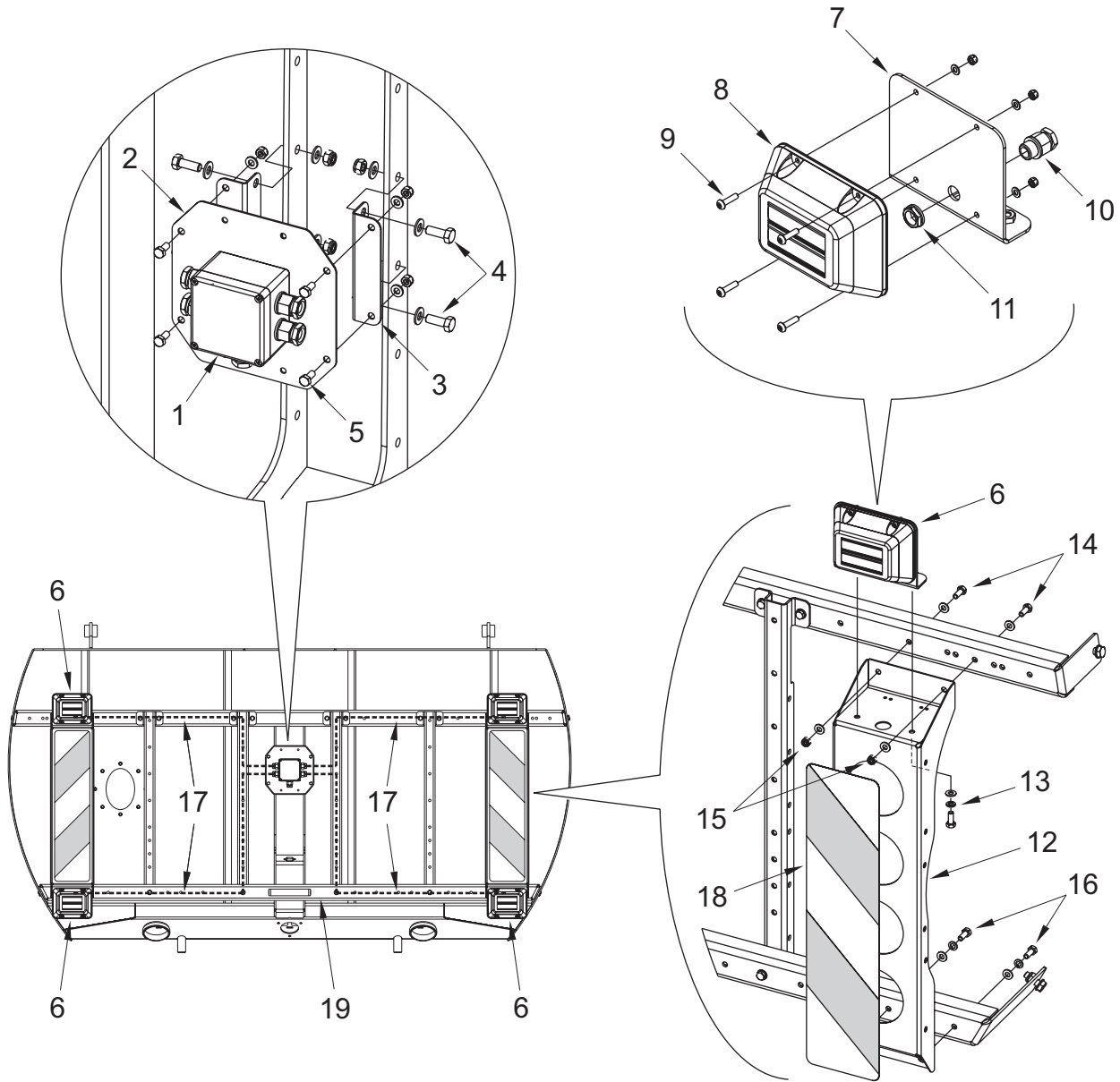
35.AE

Ancillary Equipment - LED Warning Lights

Table of Contents

Section	Page
Rear LED Warning Light Installation	35.AE : 12

Rear LED Warning Light Installation



95OP.016

Rear LED Warning Light Installation

BoM KT01295

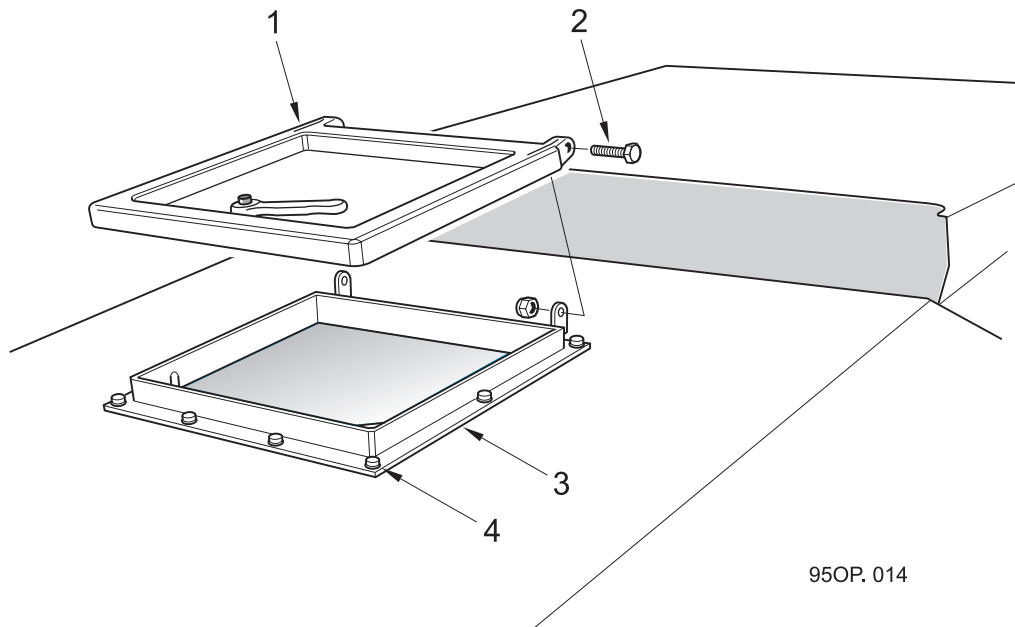
Item No.	Part No.	Description	Quantity
	284117-2	LED Warning Light Installation comprising items 1 to 16:-	
1	284116-1	LED/ Enclosure comprising items 1 and 2:-	1
	284120-1	Control Module	1
	134-41	Screw - Pan Head M4 x 10	4
	455-5	Washer - Plain Ø4	4
	425-11	Nut - Nyloc M4	4
2	283285-1	Mounting Plate	1
3	283284-1	Mounting Bracket	2
4	124-136	Screw M8 x 22	4
	455-10	Washer - Plain Ø8	8
	425-14	Nut - Nyloc M8	4
5	124-101	Screw M6 x 14	4
	455-8	Washer - Plain Ø6	4
	425-13	Nut - Nyloc M6	4
6	284118-1	LED/ Bracket Assembly comprising items 7 to 11:-	4
7	284111	Bracket	1
8	745-5	LED Directional Beacon - Amber	1
9	138-65	Screw - Button Head M5 x 20	4
	455-7	Washer - Plain Ø5	4
	425-12	Nut - Nyloc M5	4
10	86-11	Cable Gland	1
11	700-93	Locknut M16	1
12	282975-1	Base Plate	2
13	124-135	Screw M8 x 20	4
	460-10	Washer - Spring Ø8	4
	455-10	Washer - Plain Ø8	4
14	124-135	Screw M8 x 20	4
	455-10	Washer - Plain Ø8	4
15	455-10	Washer - Plain Ø8	4
	425-14	Nut - Nyloc M8	4
16	124-135	Screw M8 x 20	4
	460-10	Washer - Spring Ø8	4
	455-10	Washer - Plain Ø8	4
17	-	LED Cables Routed Behind the Options Frame	
18	20674-3	Rear Marker Boards - UK only	
19	-	Options Frame - See Chapter 27	

35.BD

Body - Roof Mounted Access Door

Table of Contents

Section	Page
Roof Mounted Access Door	35.BD : 2

Roof Mounted Access Door

BoM KTO3095

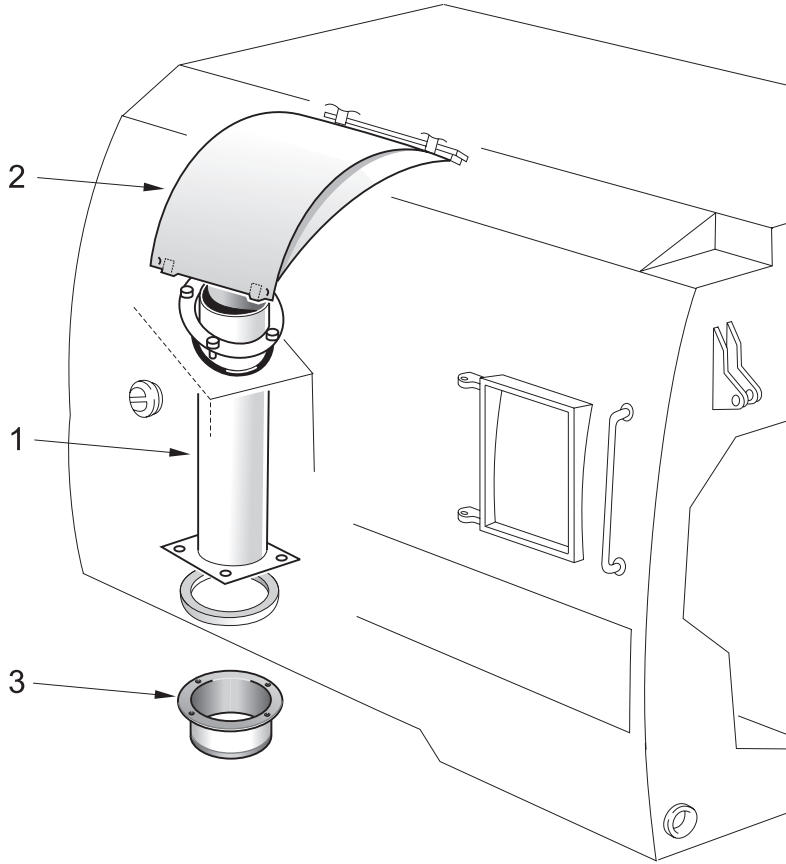
Item No.	Part No.	Description	Quantity
	283595-2	Roof Access Door Assembly comprising items 1 to 3	
1	-	Access Door Assembly - As Standard Door See Body Common Parts (1) - Chapter 20	
2	123-148	Bolt M12 x 50	2
	425-16	Nut - Nyloc M12	2
3	283596-2	Frame	1
4	124-137	Screw M8 x 25	10
	460-10	Washer - Spring M8	10

35.BD

Body - Heavy Duty Intake Components

Table of Contents

Section	Page
Heavy Duty Intake Components	35.BD : 4

Heavy Duty Intake Components


95BD.006-2

KT05395, 05396

Item No.	Part No.	Description	Quantity	
			Single	Dual
>	1	280694-50	1	2
		296031-2	1	2
2		281190-6	1	2
		281190-5	1	2
		61102-2	1	2

KT05295

3	94990-11	Intake Seat - Rubber Lined - 0.8 to 0.99m Chassis Height	1	2
	94990-13	Intake Seat - Rubber Lined 1.0 to 1.099m Chassis Height	1	2

Notes

Installation hardware and components as standard parts.

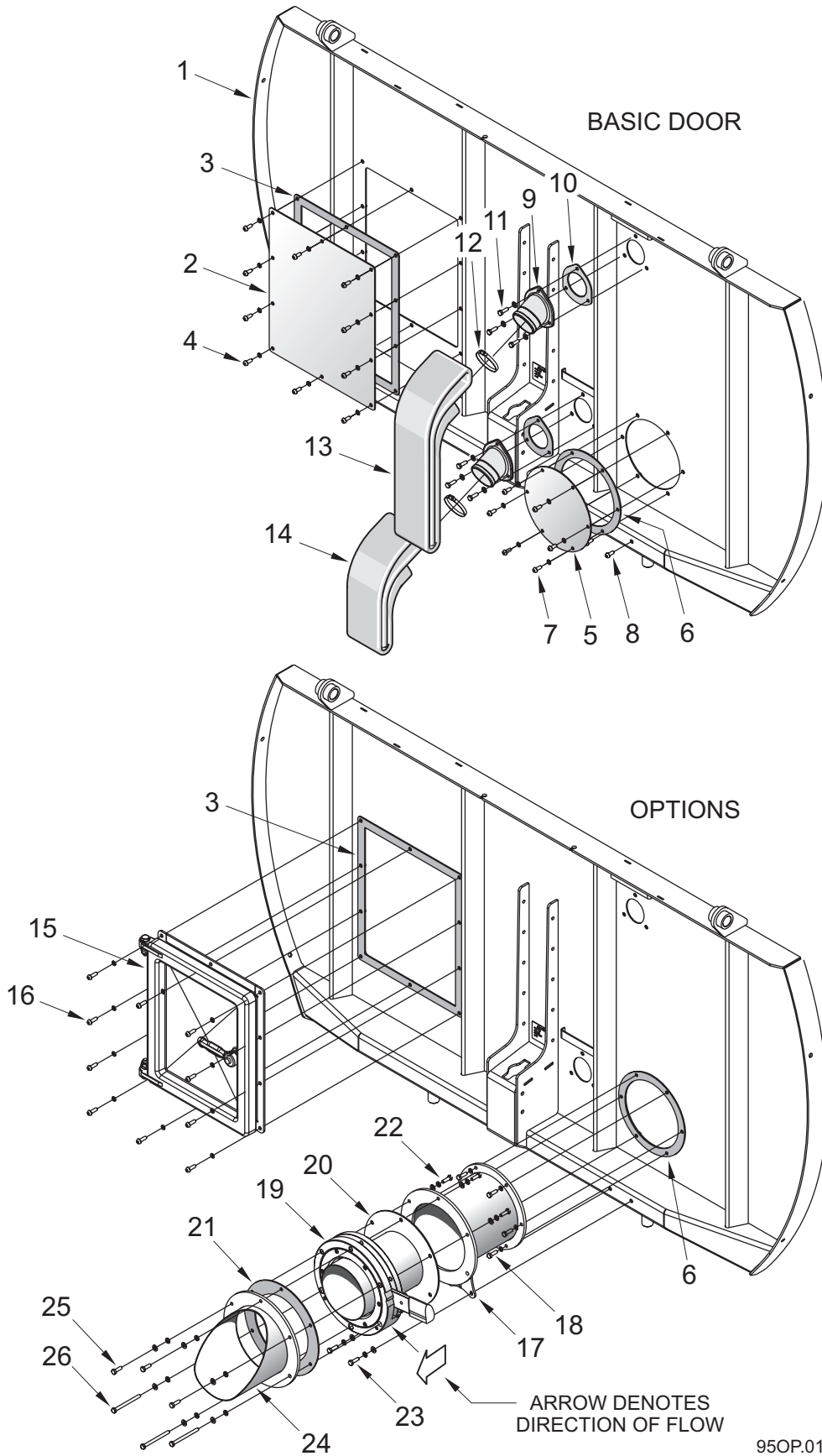
35.BD

Body - Contractors Rear Door

Table of Contents

Section	Page
Contractors Rear Door	35.BD : 6

Contractors Rear Door



Contractors Rear Door

BoM 950811

Item No.	Part No.	Description	Quantity	
	283930-2 283930-3	Contractors Rear Door - Chrome Steel (4003)) Contractors Rear Door - Stainless Steel (316))	Comprising items 1 to 8	
1	283871-2 283871-3	Door - Chrome Steel (4003) Door - Stainless Steel (316) Hinge Bushes and Door Seal as standard door in chapter 20.	- - -	
>	2	280528-2 280528-3	Access Panel - Chrome Steel (4003) Access Panel - Stainless Steel (316)	1 1
	3	283613-1	Gasket	1
	4	117-123 451-3	Screw M8 x 20 Stainless Steel Washer - Sealing	10 10
>	5	283862-2 283862-3	Blanking Plate - Chrome Steel (4003) Blanking Plate - Stainless Steel (316)	1 1
	6	283865-1	Gasket	1
	7	117-123 451-3	Screw M8 x 20 Stainless Steel Washer - Sealing	6 6
	8	117-123 451-3	Screw M8 x 20 Stainless Steel Washer - Sealing	2 2
Options				
	9	281452-1	Drain Spigot	2
	10	281411-1	Gasket	2
	11	118-137 451-82	Screw M8 x 25 Stainless Steel Washer - Brass	6 6
	12	501-7	Hose Clip	2
	13	9983	Layflat Hose x 1.6m	1
	14	9983	Layflat Hose x 1.0m	1
	15	283595-2	Roof / Rear Access Door Assembly - See page 35.BD:1	1
	16	117-125 451-3	Screw M8 x 25 Stainless Steel Washer - Sealing	10 10
	17	283879-1	Extension Tube	1
	18	118-137 451-3	Screw M8 x 25 Stainless Steel Washer - Sealing	6 6
	19	88-45	Iris Valve	1
	20	88-48	Iris Valve Liner	1
	21	283866-1	Gasket	1
	22	124-137 460-10	Screw M8 x 25 Washer - Spring M8	3 3
>		455-10	Washer - Plain M8	3
	23	124-137 460-10	Screw M8 x 25 Washer - Spring M8	2 2
		455-10	Washer - Plain M8	2

Contractors Rear Door**BoM 950811**

Item No.	Part No.	Description	Quantity
24	283864-1	Chute	1
	124-137	Screw M8 x 25	3
	460-10	Washer - Spring M8	3
	455-10	Washer - Plain M8	3
26	123-119	Screw M8 x 95	3
	460-10	Washer - Spring M8	3
	455-10	Washer - Plain M8	3

Notes

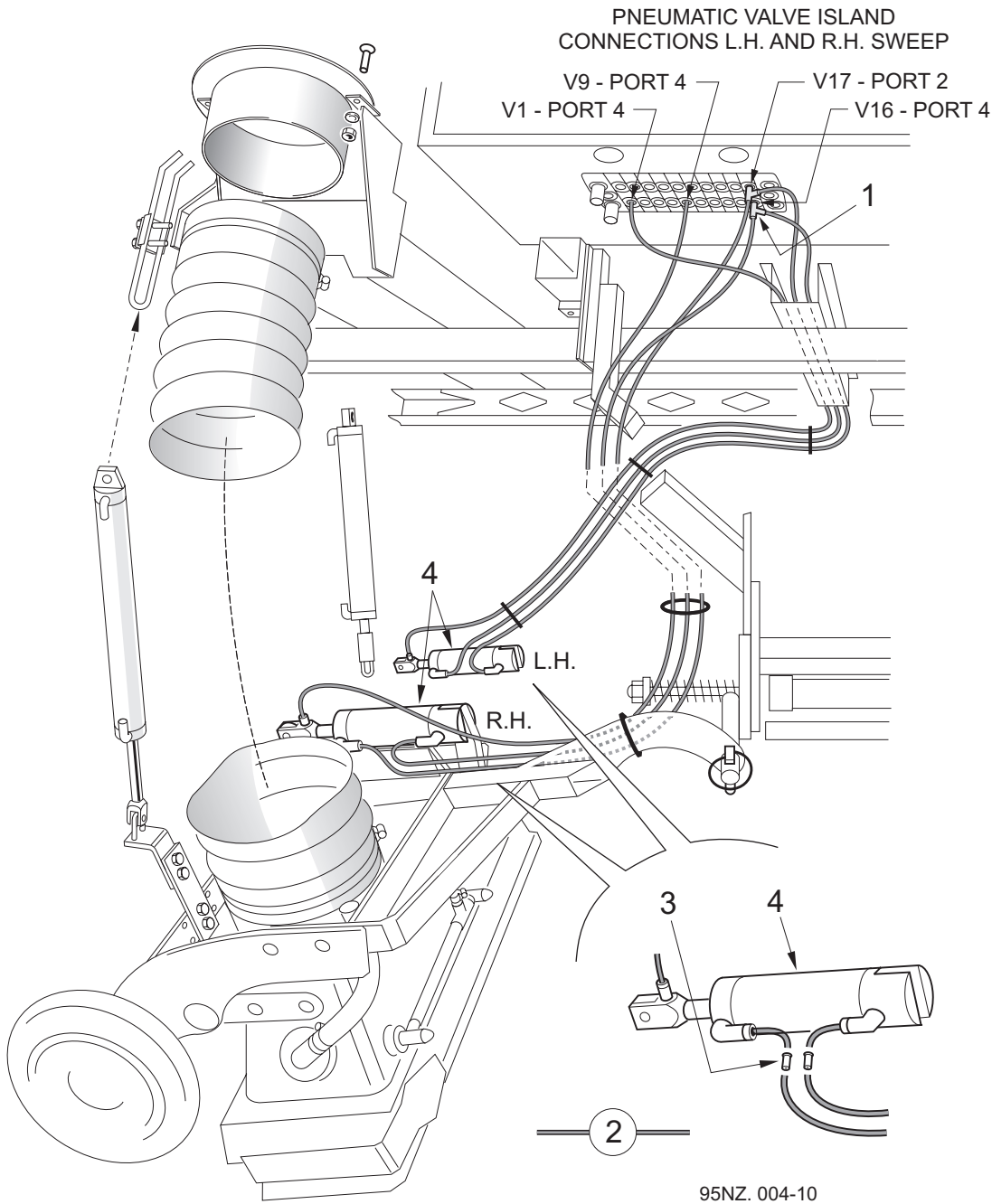
35.SG

Sweep Gear - Varagap Nozzle

Table of Contents

Section	Page
Varagap Installation	35.SG : 2

Varagap Nozzle Installation



DUAL SWEEP INSTALLATION SHOWN

Varagap Nozzle Installation**BoM KT 07895**

Item No.	Part No.	Description	Quantity Dual Sweep
1	554-3	Tee Adaptor - Dual Sweep Only	2
2	273-20	Pneumatic Pipe Ø6 Blue	18m
3	41041-1	Restrictor Ø6 Pipe	4

BoM 951113

4	290002-1	Varagap Cylinder	2
---	----------	------------------	---

Notes

For Varagap Joystick Control see Switch Panel chapter 32

For Varagap Cylinder Seal Kit see chapter 29

Refer to Electrical Diagram SE574z02 in chapter 9

Refer to Pneumatic Diagram SP547a02 in chapter 11

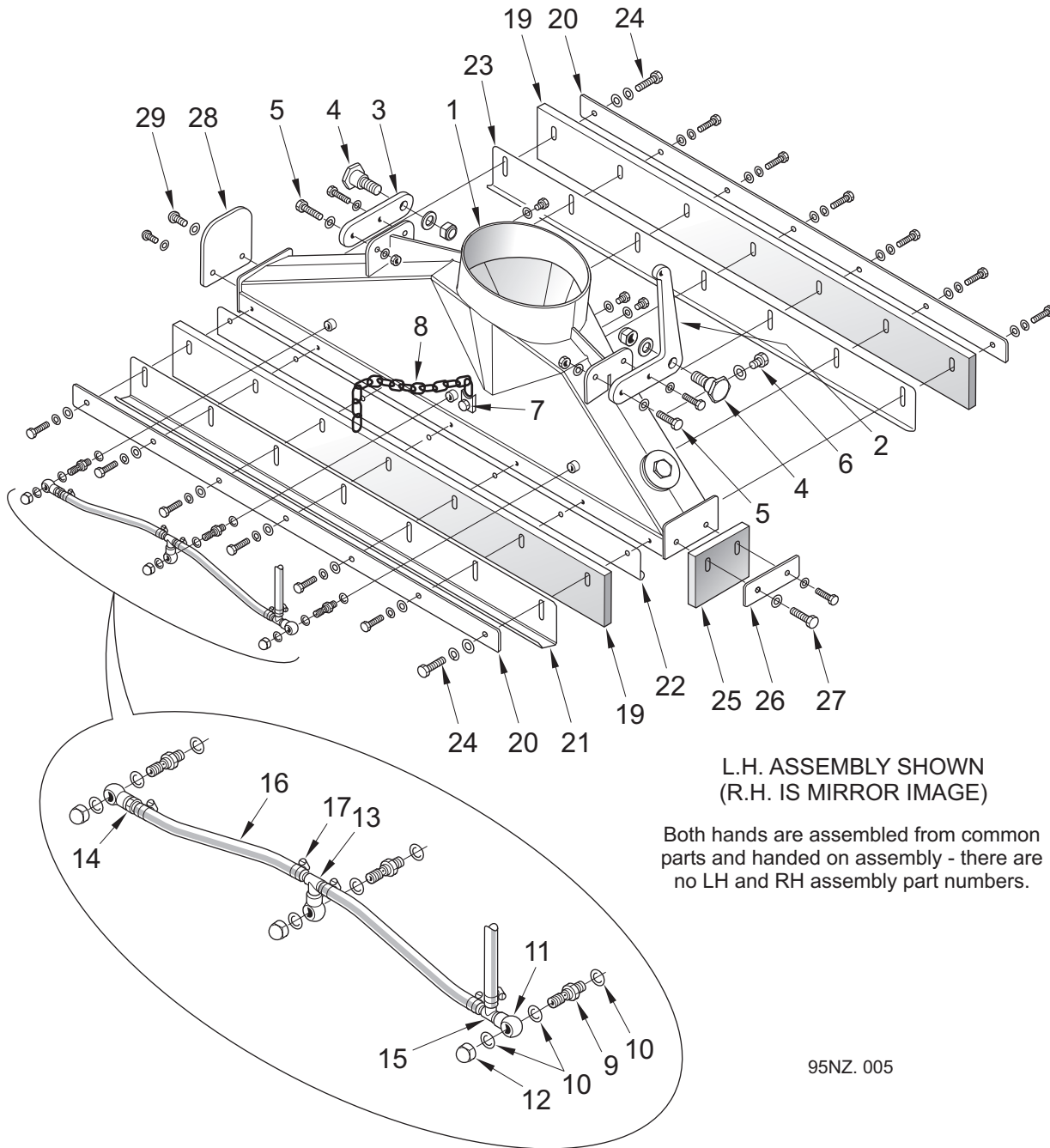
35.SG

Sweep Gear - Full Width Nozzles

Table of Contents

Section	Page
Nozzle Assemblies	
'Wide Mouth' Nozzle (Maxigap/Varagap)	35.SG : 6
'Narrow Mouth' Chipping Nozzle	35.SG : 8
'Narrow Mouth' Fluid Recovery Nozzle	35.SG : 10
Carriage	
> Carriage and Cradle Assemblies	35.SG : 12

Full Width 'Wide Mouth' Nozzle



L.H. ASSEMBLY SHOWN
(R.H. IS MIRROR IMAGE)

Both hands are assembled from common parts and handed on assembly - there are no LH and RH assembly part numbers.

95NZ. 005

BoM KT08995

Item No.	Part No.	Description	Quantity per Nozzle
*	283480-1	Full Width 'Wide Mouth' Nozzle Assembly comprising:-	
1	283460-1	Nozzle - 'Wide Mouth'	1
2	281752-1	Actuator Arm	1
3	281751-1	Pivot Arm	1
4	283363-1	Pivot Bolt	2
	455-16	Washer Plain M20	2
	425-20	Nut - Nyloc M20	2

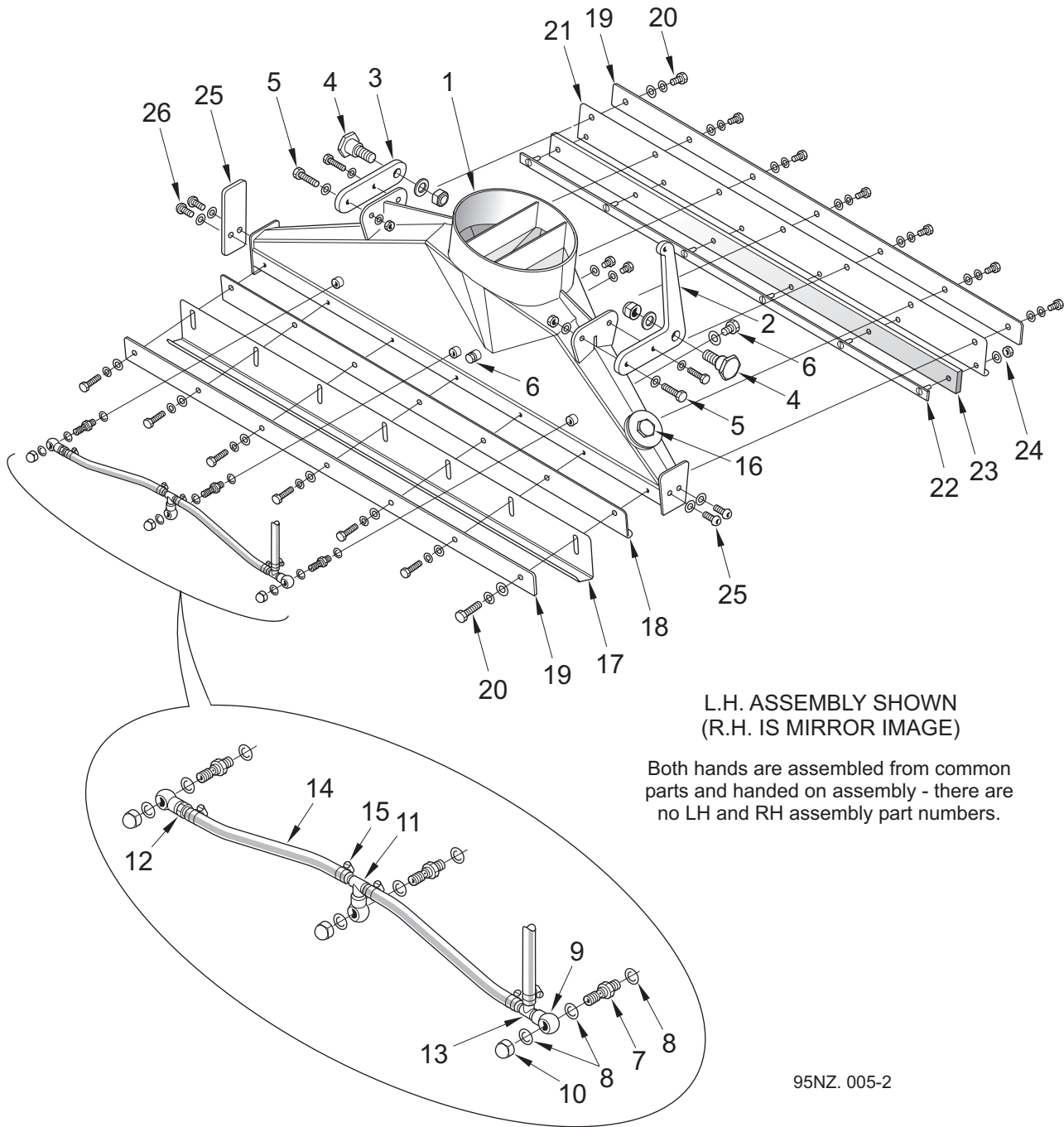
Full Width 'Wide Mouth' Nozzle

Item No.	Part No.	Description	Quantity per Nozzle
5	124-175	Screw M10c x 40	4
	455-11	Washer - Plain M10	4
	425-15	Nut - Nyloc M10	4
6	124-198	Screw M12 x 16	4
	455-12	Washer - Plain M12	4
7	124-203	Screw M12 x 30	1
	455-12	Washer - Plain M12	1
	460-12	Washer - Spring M12	1
8	62353	Link	1
> 9	40755-2	Water Jet - M12	3
10	453-1	Washer - Fibre (Red)	9
11	26997-1	Banjo Body	3
12	418-12	Dome Nut M12	3
13	62746-1	Hose Adaptor	1
14	46382-3	Adaptor - Hose	1
15	90696-1	Tee Piece	1
16	39444	Water Hose 3/8" Bore x 3m	1
17	501-1	Hose Clip	5
18	281755-1	Plug	1
	410-57	Back Nut G 3/4"	1
19	283471-1	Front / Rear Curtain	2
20	283474-1	Curtain Retainer	2
21	283479-2	Leading Shoe	1
22	283478-2	Deflector	1
23	283494-1	Trailing Curtain Support	1
24	119-128	Bolt M10 x 40 Stainless Steel	14
	458-10	Washer - Spring M10 Stainless Steel	14
	454-10	Washer - Plain M10 Stainless Steel	14
25	283473-1	Side Curtain	1
26	283475-1	Curtain Retainer - Side	1
27	119-130	Bolt M10 x 50 Stainless Steel	2
	454-10	Washer - Plain M10	2
	417-10	Nut - Nyloc M10 Stainless Steel	2
28	283537-1	Guide	1
29	138-156	Button Head Screw M10 x 25	2
	455-11	Washer - Plain M10	2
	425-15	Nut - Nyloc M10	2

Note

* This assembly is part of Carriage Assemblies 283497-1 and 283498-1 shown on page 35.SG:13

Full Width Chipping Nozzle



L.H. ASSEMBLY SHOWN
(R.H. IS MIRROR IMAGE)

Both hands are assembled from common parts and handed on assembly - there are no LH and RH assembly part numbers.

95NZ. 005-2

Full Width Chipping Nozzle

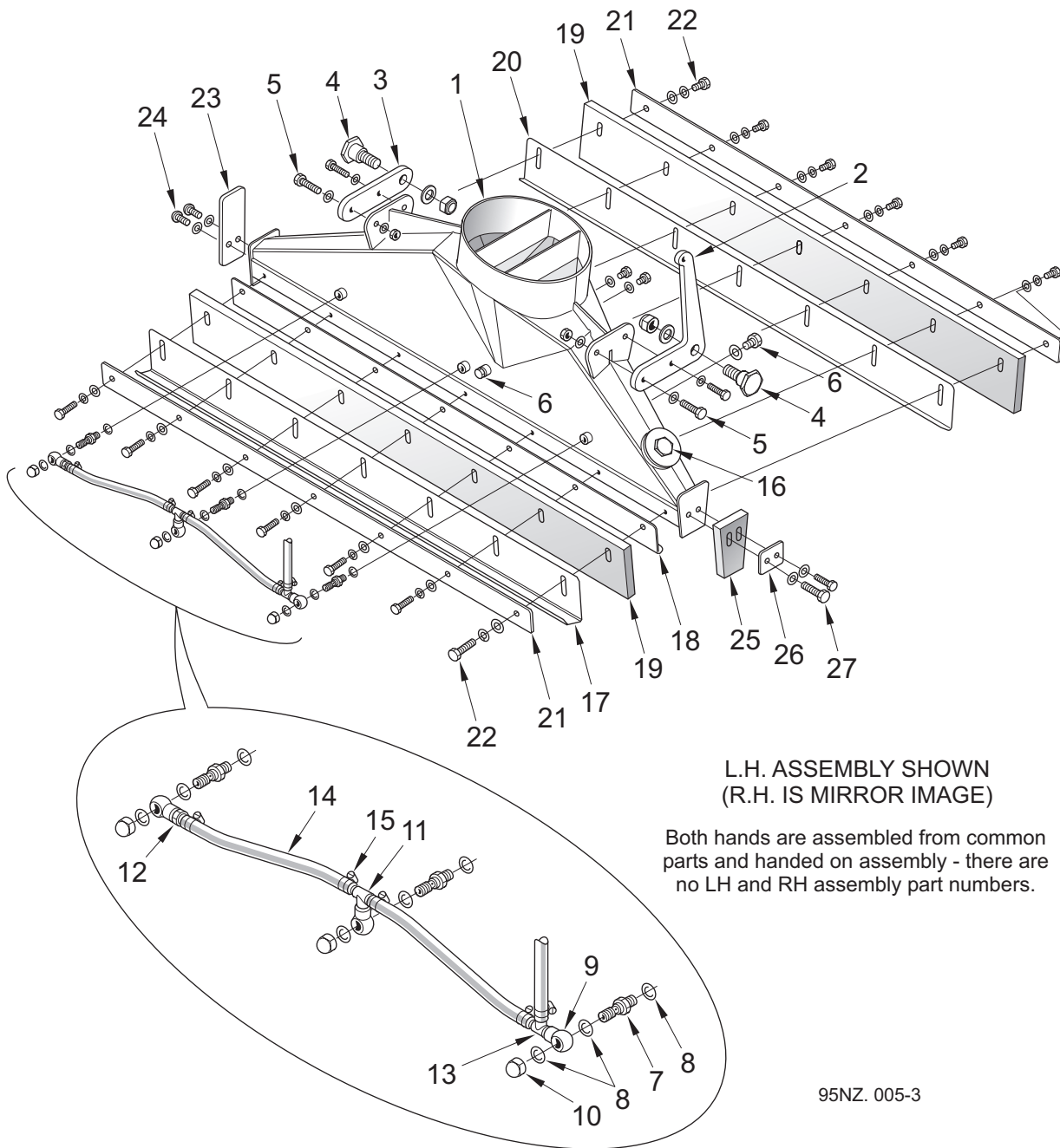
BoM KT08995

Item No.	Part No.	Description	Quantity per Nozzle
	* 283490-1	Full Width 'Chipping Nozzle' Assembly comprising:-	
1	283470-1	Nozzle - Narrow Mouth	1
2	281752-1	Actuator Arm	1
3	281751-1	Pivot Arm	1
4	283363-1	Pivot Bolt	2
	455-16	Washer - Plain M20	2
	425-20	Nut - Nyloc M20	2
5	124-175	Screw M10c x 40	4
	455-11	Washer - Plain M10	4
	425-15	Nut - Nyloc M10	4
6	124-198	Screw M12 x 16	4
	455-12	Washer - Plain M12	4
> 7	40755-2	Water Jet - M12	3
8	453-1	Washer - Fibre (Red)	9
9	26997-1	Banjo Body	3
10	418-12	Dome Nut M12	3
11	62746-1	Hose Adaptor	1
12	46382-3	Adaptor - Hose	1
13	62736-1	Tee Piece	1
14	39444	Water Hose 3/8" Bore x 3m	1
15	501-1	Hose Clip	5
16	281755-1	Plug	1
	410-57	Back Nut G 3/4"	1
17	283479-2	Leading Shoe	1
18	283478-2	Deflector	1
19	283474-1	Curtain Retainer	2
20	119-128	Bolt M10 x 40 Stainless Steel	14
	458-10	Washer - Spring M10 Stainless Steel	14
	454-10	Washer - Plain M10 Stainless Steel	14
21	283477-2	Trailing Shoe	1
22	40815-1	Clamp Strip	1
23	40823-1	Rubber	1
24	454-8	Washer - Plain M8 Stainless Steel	6
	417-8	Nut - Nyloc M8 Stainless Steel	6
25	283538-1	Guide	1
26	138-156	Button Head Screw M10 x 30	4
	455-11	Washer - Plain M10	4
	425-15	Nut - Nyloc M10	4

Note:

* This assembly is part of Carriage Assembly 283500-1 shown on page 35.SG:13

Full Width Fluid Recovery Nozzle



L.H. ASSEMBLY SHOWN
(R.H. IS MIRROR IMAGE)

Both hands are assembled from common parts and handed on assembly - there are no LH and RH assembly part numbers.

95NZ. 005-3

Full Width Fluid Recovery Nozzle

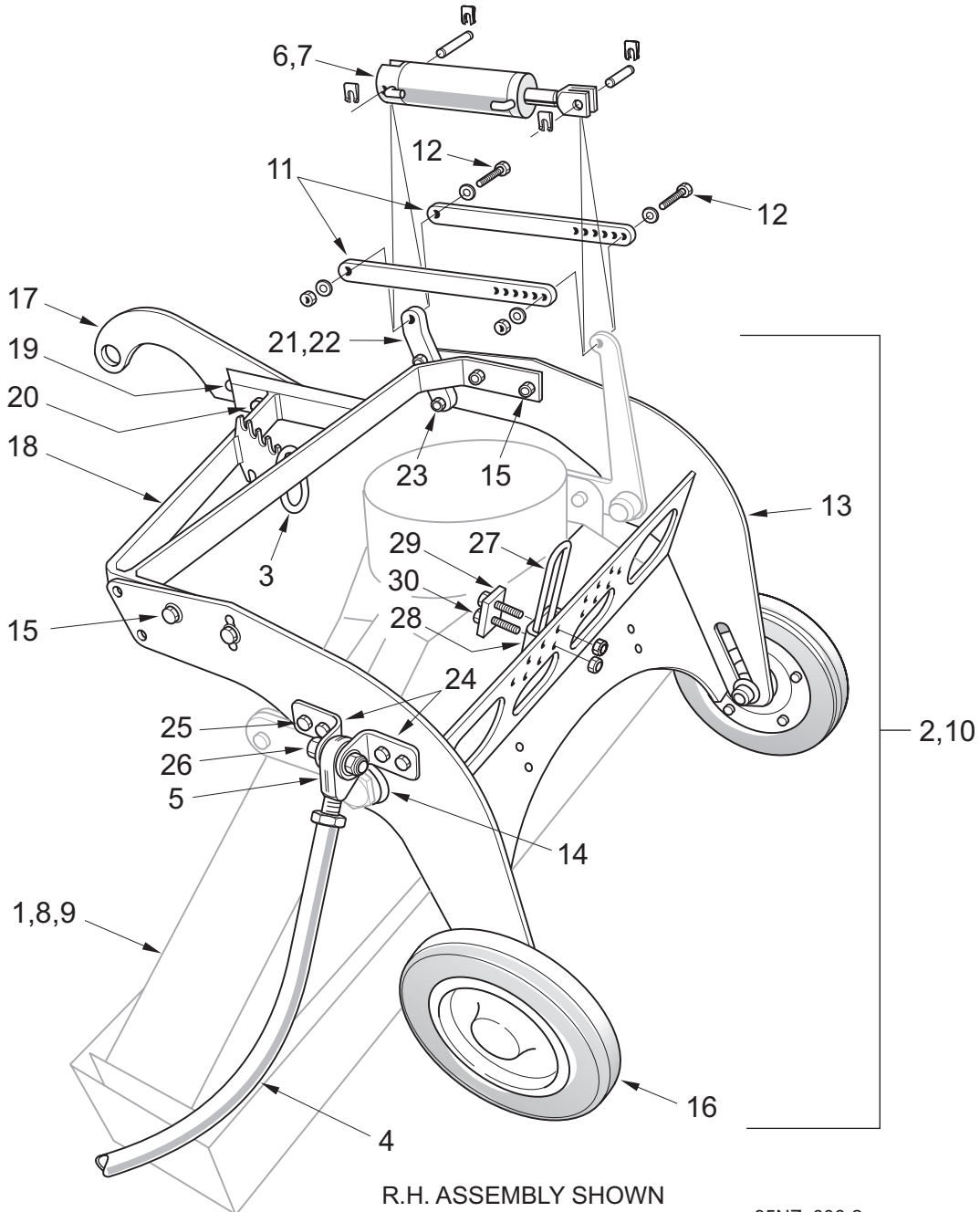
BoM KT08995

Item No.	Part No.	Description	Quantity per Nozzle
	* 283490-2	Full Width 'Fluid Recovery' Nozzle Assembly comprising:-	
1	283470-1	Nozzle - Narrow Mouth	1
2	281752-1	Actuator Arm	1
3	281751-1	Pivot Arm	1
4	283363-1	Pivot Bolt	2
	455-16	Washer - Plain M20	2
	425-20	Nut - Nyloc M20	2
5	124-175	Screw M10c x 40	4
	455-11	Washer - Plain M10	4
	425-15	Nut - Nyloc M10	4
6	124=198	Screw M12 x 16	4
	455-12	Washer - Plain M12	4
> 7	40755-2	Water Jet - M12	3
8	453-1	Washer - Fibre (Red)	9
9	26997-1	Banjo Body	3
10	418-12	Dome Nut M12	3
11	62746-1	Hose Adaptor	1
12	46382-3	Adaptor - Hose	1
13	90696-1	Tee Piece	1
14	39444	Water Hose 3/8" Bore x 3m	1
15	501-1	Hose Clip	5
16	281755-1	Plug	1
	410-57	Back Nut G 3/4"	1
17	283479-2	Leading Shoe	1
18	283478-2	Deflector	1
19	283471-1	Front / Rear Curtain	2
20	283494-1	Rear Curtain Support	1
21	283474-1	Curtain Retainer	2
22	119-128	Bolt M10 x 40 Stainless Steel	14
	458-10	Washer - Spring M10 Stainless Steel	14
	454-10	Washer - Plain M10 Stainless Steel	14
23	283538-1	Guide	1
24	138-156	Button Head Screw M10 x 30	2
	455-11	Washer - Plain M10	2
	425-15	Nut - Nyloc M10	2
25	283472-1	Side Curtain	1
26	282476-1	Curtain Retainer - Side	1
27	119-128	Bolt M10 x 40 Stainless Steel	2
	454-10	Washer - Spring M10 Stainless Steel	2
	417-10	Nut - Nyloc M10 Stainless Steel	2

Note:

* This assembly is part of Carriage Assembly 283500-1 shown on page 35.SG:13

Full Width Nozzle Carriage



R.H. ASSEMBLY SHOWN
(L.H. IS MIRROR IMAGE)

95NZ. 006-2

Both hands are assembled from common parts and handed on assembly.
There are no L.H. and R.H. assembly part numbers.

Full Width Nozzle Carriage

BoM KT08995

Item No.	Part No.	Description	Quantity per Nozzle		Fluid Recovery	Chipping Nozzle
			Maxigap	Varagap		
	283497-1	'Wide Mouth' Carriage Assembly	✓	-		
	283498-1	'Wide Mouth' Carriage Assembly	-	✓		
		Assemblies comprise items 1 to 7:-				
1	283480-1	'Wide Mouth' Nozzle Assembly - See page SG:6	1	1		
2	283491-1	Cradle Assembly - See items 13 to 30	1	1		
3	282968-1	Adjuster Link	1	1		
	283493-1	Link Arm Assembly comprising items 4 and 5				
4	283489-1	Link Arm	1	1		
5	16-10	Rod End	2	2		
	421-18	Lock Nut M16	2	2		
6	290001-1	Maxigap Cylinder	1	-		
7	290001-2	Varagap Cylinder	-	1		
					Fluid Recovery	Chipping Nozzle
	283499-1	'Narrow Mouth' Carriage Assembly	✓	-		
	283500-1	'Narrow Mouth' Carriage Assembly	-	✓		
		Assemblies comprise items 8 to 12:-				
8	283490-2	Fluid Recovery Nozzle Assembly - See page SG:10	1	-		
9	283490-1	Chipping Nozzle Assembly - See page SG:8	-	1		
10	283492-1	Cradle Assembly - See items 13 to 30	1	1		
11	283487-1	Tie Bar	2	2		
12	123-130	Bolt M10 x 50	2	2		
	455-11	Washer - Plain M10	4	4		
	425-15	Nut - Nyloc M10	2	2		
	283493-1	Link Arm Assembly comprising items 4 and 5 above				
		Cradle Assemblies			Maxigap/ Varagap	Chipping/ Fluid Recovery
	283491-1	'Wide Mouth' Cradle Assembly	✓	-		
	283492-1	'Narrow Mouth' Cradle Assembly	-	✓		
		Assemblies comprise items 13 to 30:-				
13	283481-1	Cradle	1	1		
14	283374-1	Pivot Bush	2	2		
15	124-173	Screw M10 x 35	4	4		
	457-5	Washer - Large M10	4	4		
	425-15	Nut - Nyloc M10	4	4		
16	63491-1	Wheel Assembly - See Chapter 25	2	2		

Full Width Nozzle Carriage

Item No.	Part No.	Description	Quantity per Cradle	
			Maxigap/ Varagap	Chipping/ Fluid Recovery
17	283495-1	Tow Eye	1	1
18	283484-1	Tow Bar	1	1
19	123-126	Screw M10 x 35	1	1
	455-11	Washer - Plain M10	2	2
	425-15	Nut - Nyloc M10	1	1
20	123-134	Screw M10 x 70	1	1
	455-11	Washer - Plain M10	2	2
	425-15	Nut - Nyloc M10	1	1
21	280866-1	Mast - Cylinder Mount ('Wide Mouth' Nozzle)	1	-
22	280866-2	Mast - Tie Bar Mount ('Narrow Mouth' Nozzle)	-	1
23	124-175	Screw M10 x 40	2	2
	455-11	Washer - Plain M10	2	2
	425-15	Nut - Nyloc M10	2	2
24	283488-1	Link Arm Anchor	2	2
25	124-139	Screw M8 x 30	4	4
	455-10	Washer - Plain M8	4	4
	425-14	Nut - Nyloc M8	4	4
26	123-184	Bolt M16 x 60	1	1
	455-14	Washer - Plain M16	2	2
	425-18	Nut - Nyloc M16	1	1
27	40405-1	Lifting Eye	1	1
28	40404-1	Clamp Washer	1	1
29	63345-1	Clamp Block	1	1
30	123-130	Bolt M10 x 50	2	2
	455-11	Washer - Plain M10	2	2
	425-15	Nut - Nyloc M10	2	2

Notes

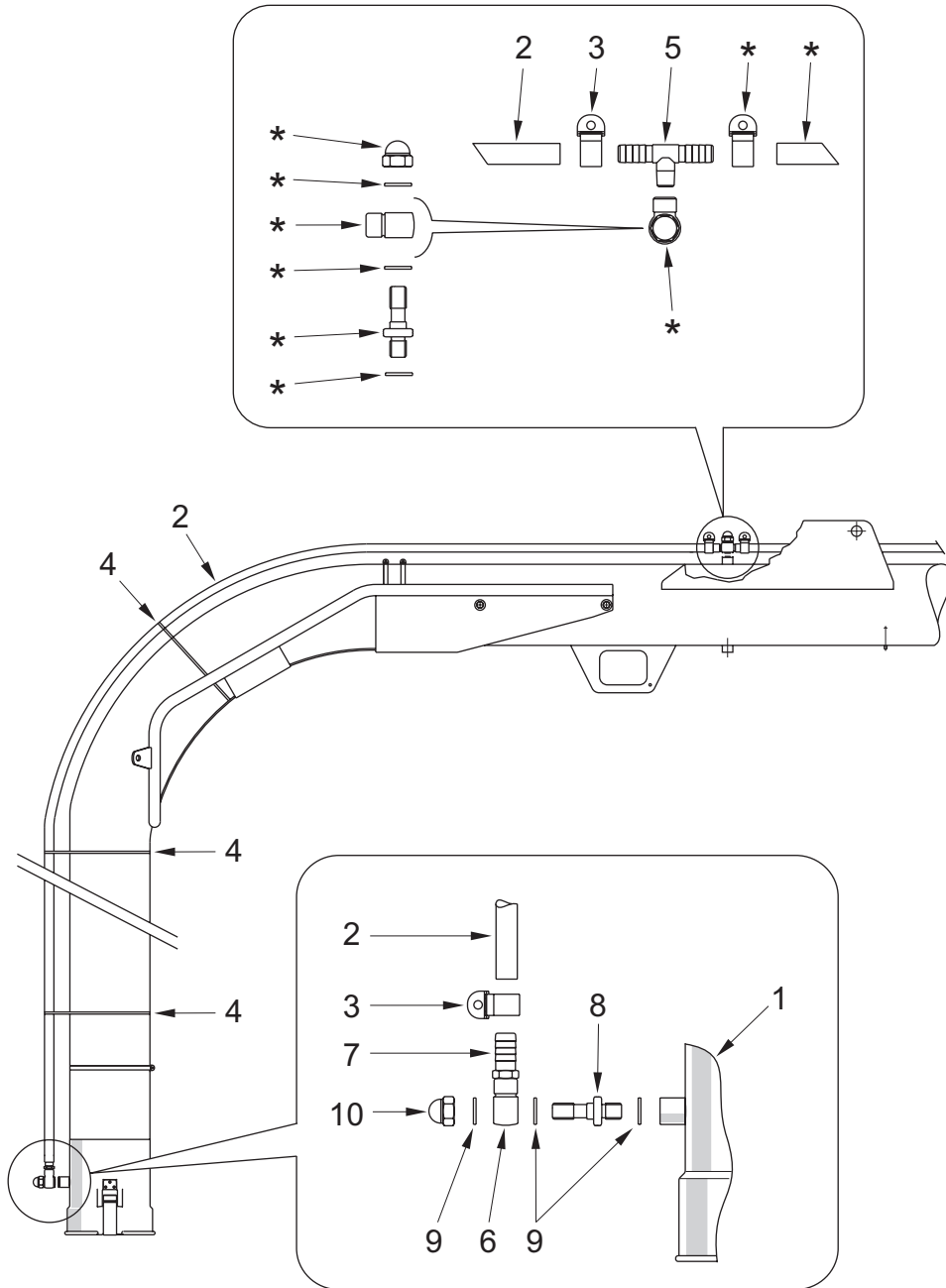
35.SG

Sweep Gear - Wanderhose Lo-Level Water Injection

Table of Contents

Section	Page
Wanderhose Lo-Level Water Injection	35.SG :16

Wanderhose Lo-Level Water Injection



95WH. 011

* These items are used on standard Top Mounted and optional Powaboom Wanderhoses shown in chapter 27.

Wanderhose Lo-Level Water Injection

KT00895

Item No.	Part No.	Description	Quantity
	283534-6	Lo-Level Water Injection Installation 150 dia. Boom	
	283534-8	Lo-Level Water Injection Installation 200 dia. Boom	
1	6003-10	Coupling Assembly 150 dia.	1
	6003-80	Coupling Assembly 200 dia.	1
2	39444	Hose 3/8" x 2.6m	1
3	501-1	Hose Clip	2
4	24-10	Cable Tie	3
5	277-254	Tee	1
6	26997-1	Banjo	1
7	46382-3	Hose Adaptor	1
> 8	40755-2	Water Jet	1
9	453-1	Washer - Fibre	3
10	418-12	Domed Nut M12	1

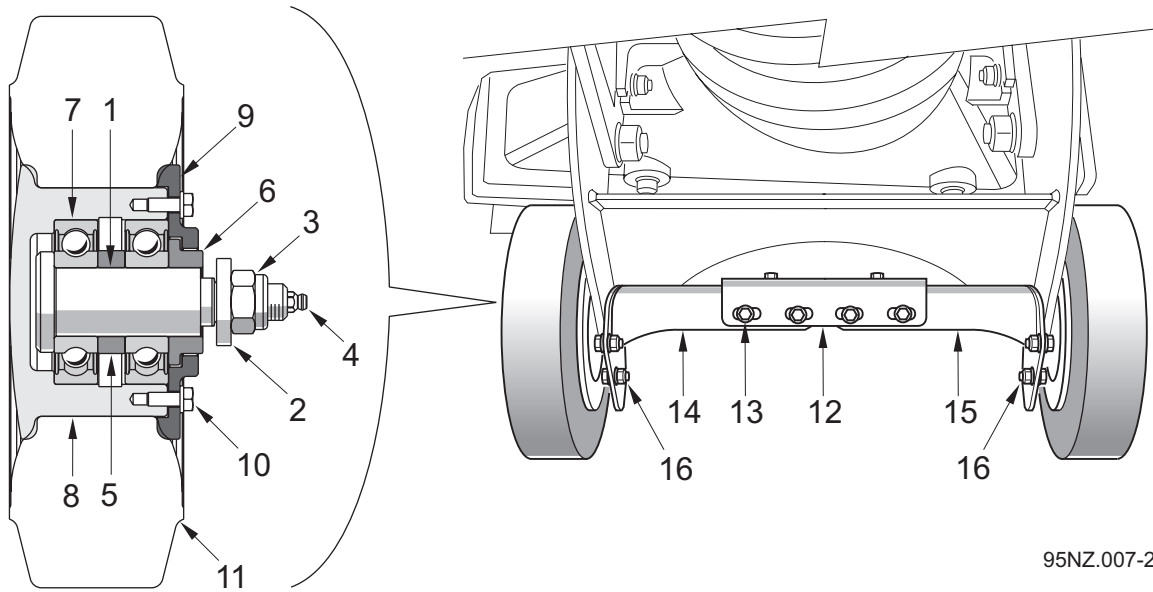
Notes

35.SG

Sweep Gear - Heavy Duty Nozzle Carriage Components

Table of Contents

Section	Page
Heavy Duty Nozzle Carriage	35.SG : 20

Heavy Duty Carriage Components


95NZ.007-2

KT08595

Item No.	Part No.	Description	Quantity Per Wheel
	283358-1	Heavy Duty Wheel Assembly comprising items 1 to11:-	
1	283353-1	Axle	1
2	9114-2	Special Washer	1
3	425-18	Nut - Nyloc M16	1
4	38-30	Grease Nipple - Straight M6	3
5	283354-1	Spacer	1
6	283356-1	Labyrinth	1
7	14-62	Ball Bearing	2
8	283355-1	Hub	1
9	283357-1	Flange	1
10	124-102	Screw M6 x 16	6
	460-8	Washer - Spring M6	6
11	44122-2	Tyre 10"	1
	283450-1	Brace Assembly - Standard)	
	283450-2	Brace Assembly - Wide) comprising items 12 to16:-	
12	283449-1	Brace Bar - Standard	1
	283448-1	Brace Bar - Wide	1
13	124-137	Screw M8 x 25	6
	455-10	Washer - Plain	6
	425-14	Nut - Nyloc M8	6
14	283364-1	Brace End - L.H.	1
15	283364-1	Brace End - R.H.	1
16	124-135	Screw M8 x 20	4
	455-10	Washer - Plain	8
	425-14	Nut - Nyloc M8	4

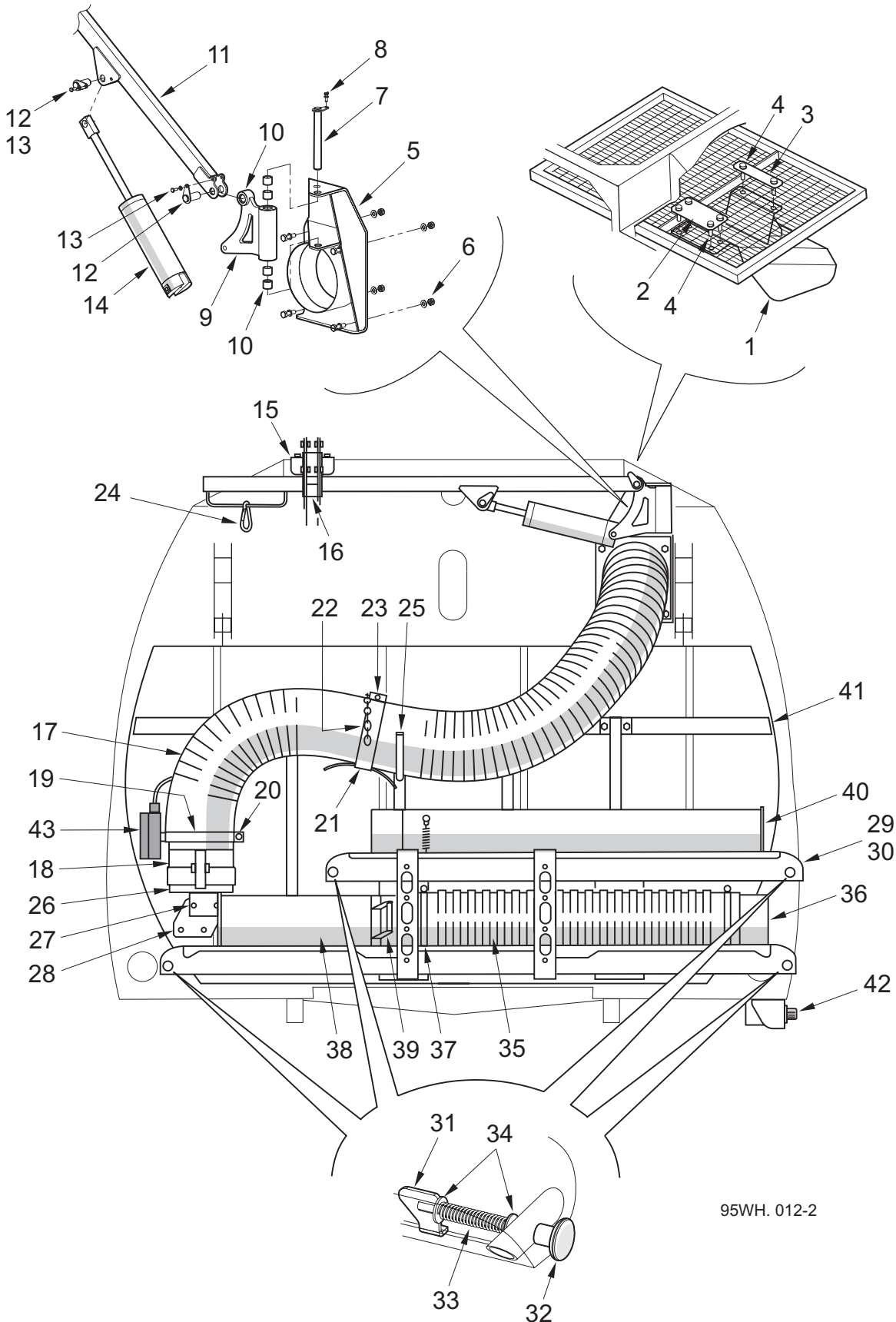
35.SG

Sweep Gear - Rear Mounted Wanderhose

Table of Contents

Section	Page
Rear Mounted Wanderhose	35.SG : 22
Pneumatic Controls	35.SG : 26
Looms	35.SG : 28

Rear Mounted Wanderhose



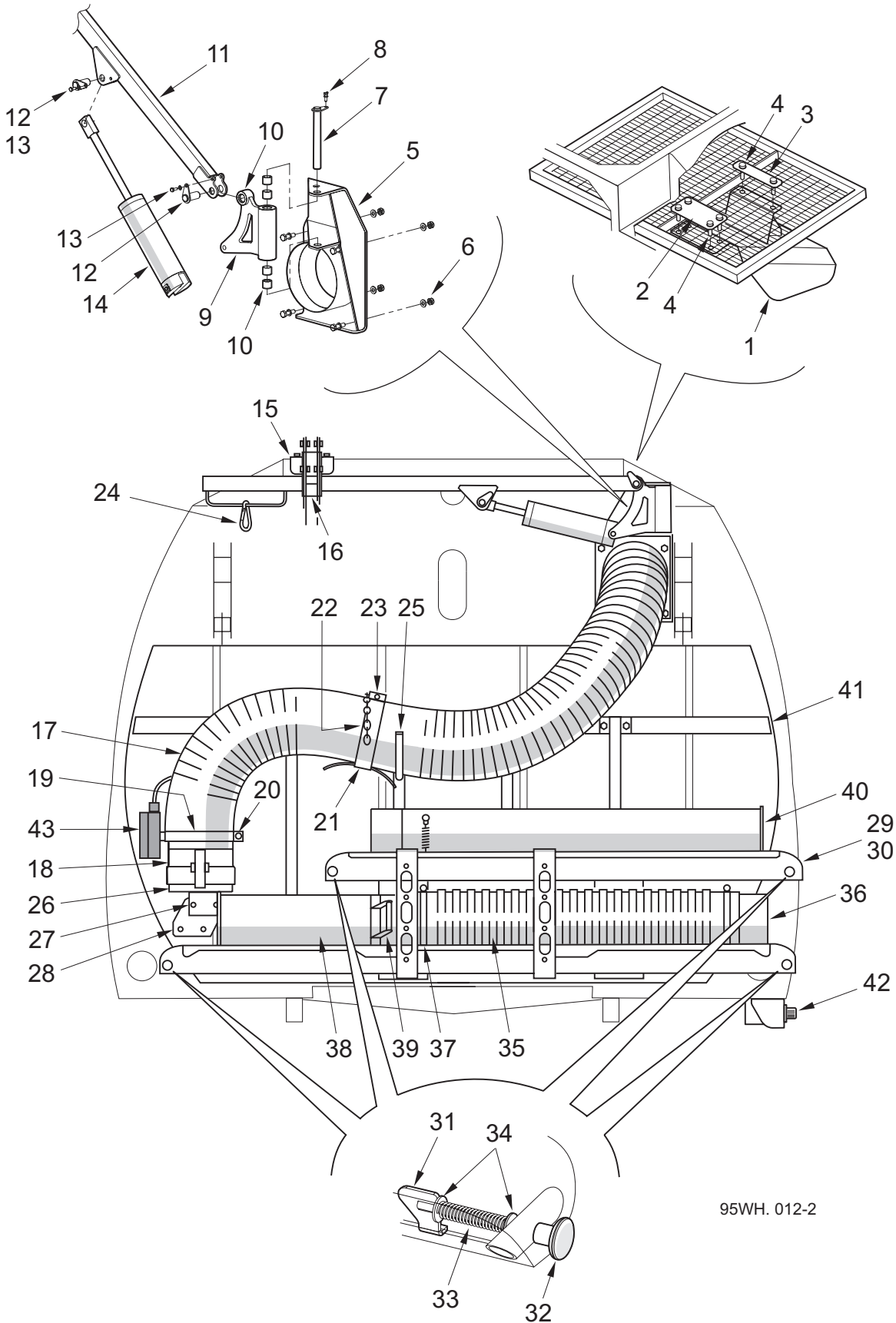
95WH. 012-2

Rear Mounted Wanderhose

BoM KT05695

Item No.	Part No.	Description	Quantity
	283756-1	Wanderhose Installation Drawing	
1	280360-1	Baffle	1
2	221741-1	Spreader Plate	1
3	221742-1	Spreader Plate	1
4	118-135	Screw M8 x 20 - Stainless Steel	6
	454-8	Washer - Plain Ø8 - Stainless Steel	6
	417-8	Nut - Nyloc M8 - Stainless Steel	6
	283755-1	Pivot Assembly comprising items 5 to 14:	
5	283745-1	Pivot Bracket	1
6	118-175	Screw M10 x 40 - Stainless Steel	4
	458-10	Washer - Spring Ø10 - Stainless Steel	4
	454-10	Washer - Plain Ø10 - Stainless Steel	4
	417-10	Nut - Nyloc M10 - Stainless Steel	4
7	283751-2	Pivot Pin	1
8	124-103	Screw M6 x 20	1
	460-8	Washer - Spring Ø6	1
9	283740-1	Pivot	1
10	29128-1	Bush	5
11	283738-1	Arm	1
12	283751-1	Pivot Pin	2
13	124-102	Screw M6 x 16	2
	460-8	Washer - Spring Ø6	2
14	200355-1	Cylinder - Pneumatic	1
15	283759-1	Mount - Fitted on top of standard blanking plate if Mesh Shaker option is not fitted, see chapter 20	1
	118-135	Screw M8 x 20 - Stainless Steel	4
	454-8	Washer - Plain Ø8 - Stainless Steel	4
	458-8	Washer - Spring Ø8 - Stainless Steel	4
16	283760-1	Stowage Hook	1
	118-201	Screw M12 x 25	4
	425-16	Nut - Nyloc M12	4
	290-43	Rubber Buffer	1
17	221771-1	Trunking Ø200	1
* 18	6003-8	Coupling Ø200	1
19	282638-2	Cable Support	1
20	123-114	Bolt M8 x 70	1
	425-14	Nut M8	1
21	93863-1	Hose Support Clamp	1
22	93865-1	Spigot and Chain	1

Rear Mounted Wanderhose



95WH. 012-2

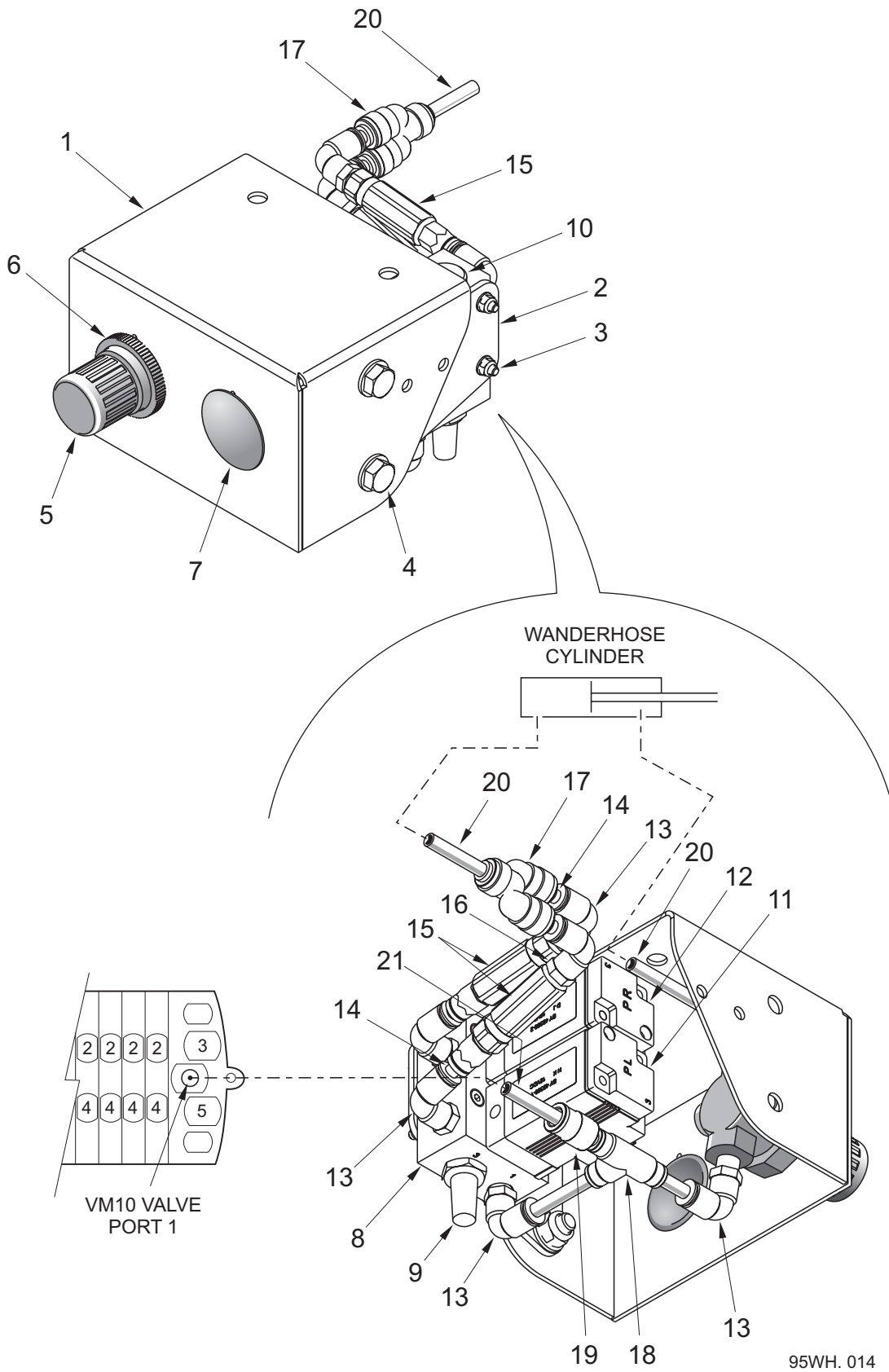
Rear Mounted Wanderhose

Item No.	Part No.	Description	Quantity
	23	123-110 Bolt M8 x 50	1
		455-10 Washer - Plain Ø8	1
		425-14 Nut - Nyloc M8	1
>	24	284-21 Carbine Hook	1
	25	282504-1 Hook - includes plastic plug 220-65	1
		124-137 Screw M8 x 25	2
		455-10 Washer - Plain Ø8	1
		425-14 Nut - Nyloc M8	1
* 26	42738-1	Anchor	1
	124-167	Screw M10 x 20) Anchor to	2
	460-11	Washer- Spring Ø10) Bracket	2
27	42463-1	Anchor Bracket	1
	124-135	Screw M8 x 20)	2
	455-10	Washer - Plain Ø8) Bracket	2
	425-14	Nut - Nyloc M8) to Plate	2
28	283899-1	Plate	1
	124-135	Screw M8 x 20)	2
	455-10	Washer - Plain Ø8) Plate to	2
	425-14	Nut - Nyloc M8) Options Frame	2
29	221830-1	Hose Tray	1
30	123-113	Bolt M8 x 65	4
	282438-41	Spacer	4
	455-10	Washer - Plain Ø8	4
	457-4	Washer - Plain Large Ø8	4
	425-14	Nut - Nyloc M8	4
>	31	282879-1 Plunger	4
	32	23-21 Knob	4
	33	285-27 Spring	4
	34	457-5 Washer - Plain Large	4
	35	15917-1 Trunking Ø200	1
	36	5996-4 Coupling	1
	37	504-52 Hose Clip	1
	38	15899-1 Hose End Fitting	1
	39	15920-1 Handle	1
	40	282890-3 Extension x 1250 long - Includes spring clips 6216-1	1
	41	- Options Frame - See chapter 27	
	42	- Pneumatic Controls - See over page	
	43	- Looms - See elsewhere in this section	

Notes

* Refer to Standard Wanderhose in chapter 27 for a more detailed description of these items.

Pneumatic Controls



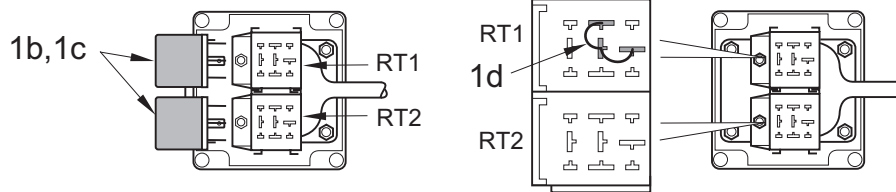
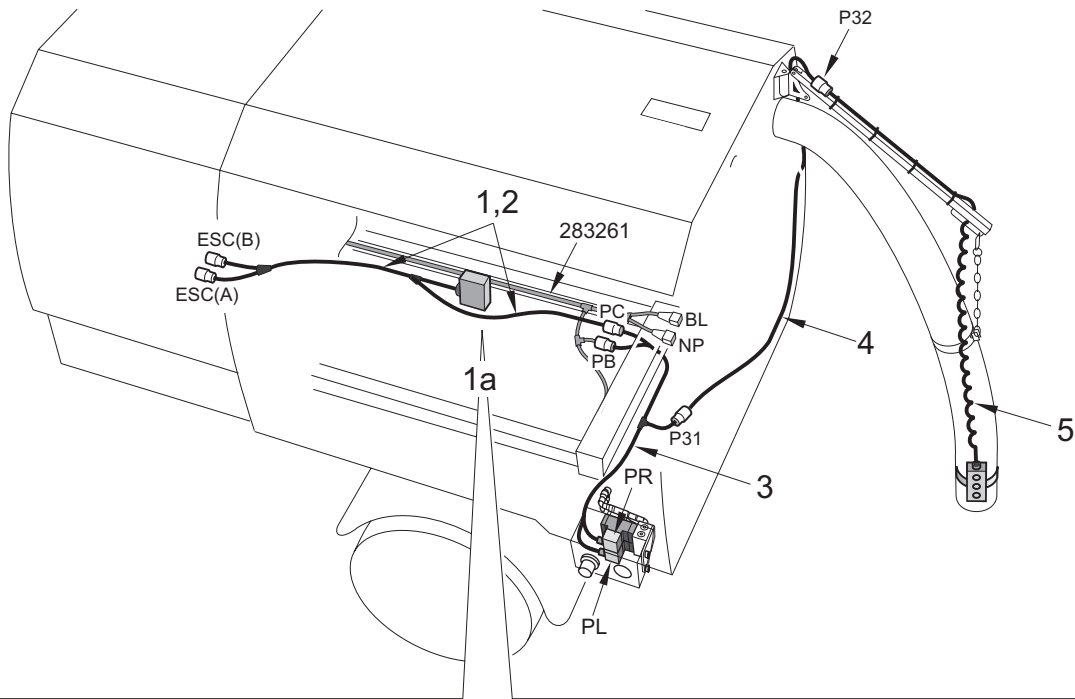
Pneumatic Controls

BoM KT07595

Item No.	Part No.	Description	Quantity
	283835-12	Pneumatic Control Assembly 12v	
	283835-24	Pneumatic Control Assembly 24v	
1	282522-1	Box	1
2	283833-1	Plate - Valve Mounting	1
3	129-42	Bolt - Socket Head M4 x 35	2
	455-5	Washer - Plain Ø4	2
	425-11	Nut - Nyloc M4	2
4	124-135	Screw M8 x 20	2
	455-10	Washer - Plain Ø8	2
	425-14	Nut - Nyloc M8	2
5	72-14	Mini Regulator	1
6	72-15	Panel Ring	1
7	288-28	Grommet - Blind	1
8	40602-2	Valve Block	1
9	72-20	Air Silencer	1
10	54-2	Collar Plug G1/4"	2
11	42300-1	Control Valve 12v (N.C.)	1
	42300-3	Control Valve 24v (N.C.)	1
12	42300-2	Control Valve 12v (N.O.)	1
	42300-4	Control Valve 24v (N.O.)	1
13	538-3	Elbow G1/8" x Ø6	7
14	549-3	Stem Connector	4
15	72-4	Valve - Non Return	2
16	537-8	Adaptor - Push In 1/4" BSPT x Ø8	2
17	559-6	'Y' Connector	1
18	554-3	Tee Connector	1
19	548-20	Reducing Stem Connector	1
20	273-20	Nylon Tube Ø6 Blue x 10m	1
21	273-21	Nylon Tube Ø6 Red x 20m	1

Notes

Looms



Iveco 'SP' and 'HP' and John Deere 'SP' engines. For John Deere 'HP' engine see item 2.

VT 12v Loom Assembly 282140-1 comprising items 1 and 1b

VT 24v Loom Assembly 282140-2 comprising items 1 and 1c

VS Loom Assembly 282140-3 comprising items 1 and 1d

95WH. 015-3

KT07595

Item No.	Part No.	Description	Quantity
1	282060-1	Remote Throttle Loom (Includes Relay Box 1a)	1
1a		Relay Box - requires the addition of components 1b,1c or 1d	
1b	13193	Relay 12v (28RA) - 12v VT only.	2
1c	13194	Relay 24v (28RA) - 24v VT only.	2
1d	282119-1	Shorting Link - VS only.	1
2	283140-1	Remote Throttle Loom - John Deere 'HP' engines	1
3	282062-1	Powaboom Loom	1
4	282063-1	Extension Loom	1
5	282061-1	Control Loom VT Series	1
	282061-2	Control Loom VS Series	1

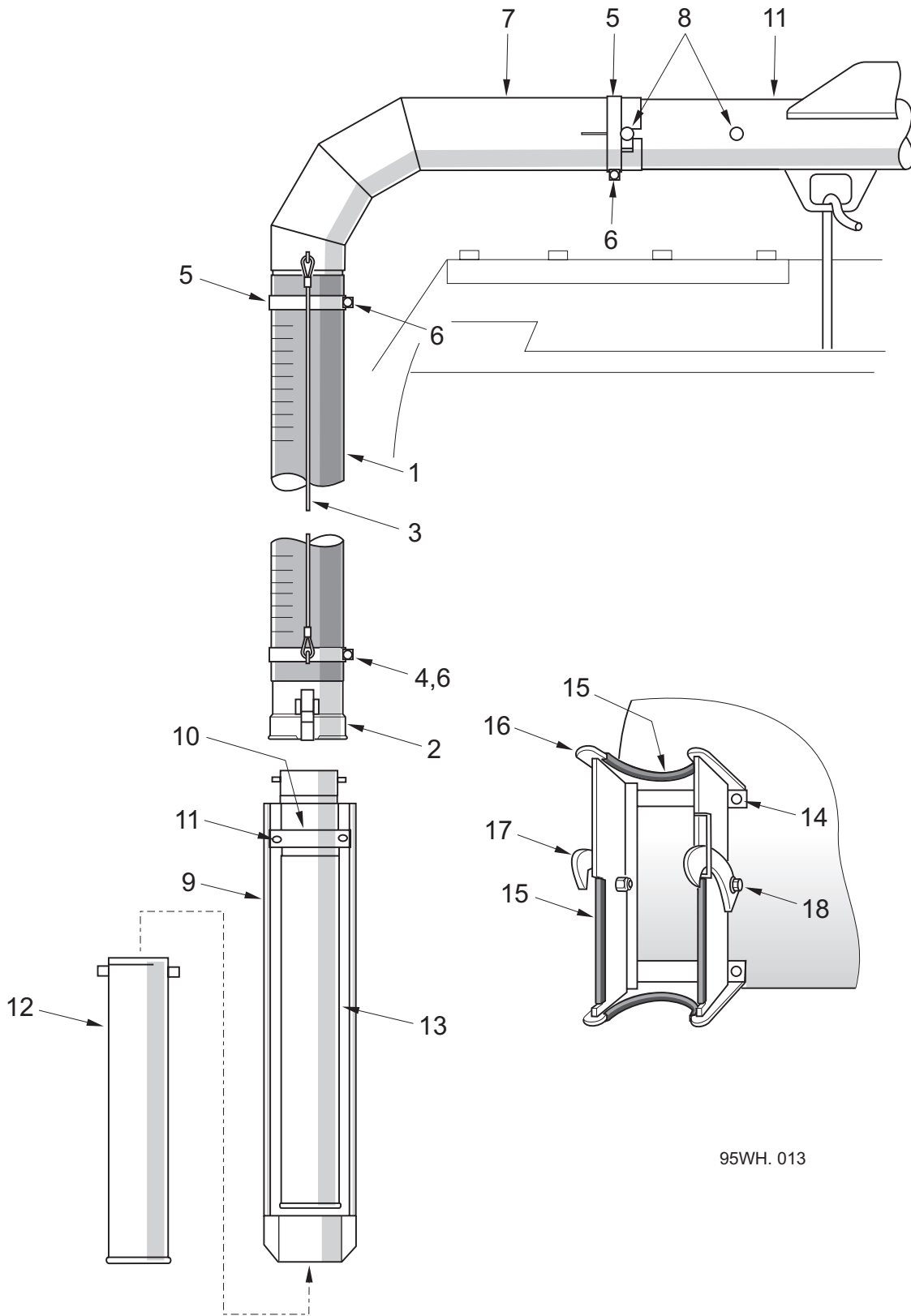
35.SG

Wanderhose Gulley Pack

Table of Contents

Section	Page
Wanderhose Gulley Pack	35.SG : 30

Wanderhose Gulley Pack



95WH. 013

Wanderhose Gulley Pack

BoM 951331

Item No.	Part No.	Description	Quantity
	284031-1	Ø150 Gulley Pack Installation:-	
1	48824-1	Flexible Extension	1
2	6003-1	Coupling	1
3	21216-14	Lift Cable x 1040 long	2
4	282637-3	Cable Support - with hooks	1
5	282637-4	Cable Support - without hooks	2
6	123-114	Bolt M8 x 70	3
	425-14	Nut - Nyloc M8	3
7	282600-1	Gulley Extension	1
8	124-199	Screw M12 x 20	4
	460-12	Washer - Spring Ø12	4

BoM 951332

	284032-1	Ø150 Gulley Pack Extension Installation:-	
9	41070-1	Cradle	1
10	41063-1	Support	1
11	124-134	Screw M8 x 16	2
	455-10	Washer - Plain Ø8	2
	420-14	Nut M8	2
12	41150-1	Extension	1
13	41067-1	Extension	1

BoM 951333

	284033-1	Holster Installation:-	
14	124-135	Screw M8 x 30	4
	425-14	Nut - Nyloc M8	4
	457-4	Washer - Large	4
15	211-38	Edge Trim	4
	41061-1	Hose Guide/Clamp Assembly comprising:-	
16	284061-1	Holster	1
17	41183-1	Latch	2
18	124-139	Screw M8 x 30	2
	41184-1	Pivot	2
	425-14	Nut - Nyloc M8	2

Notes

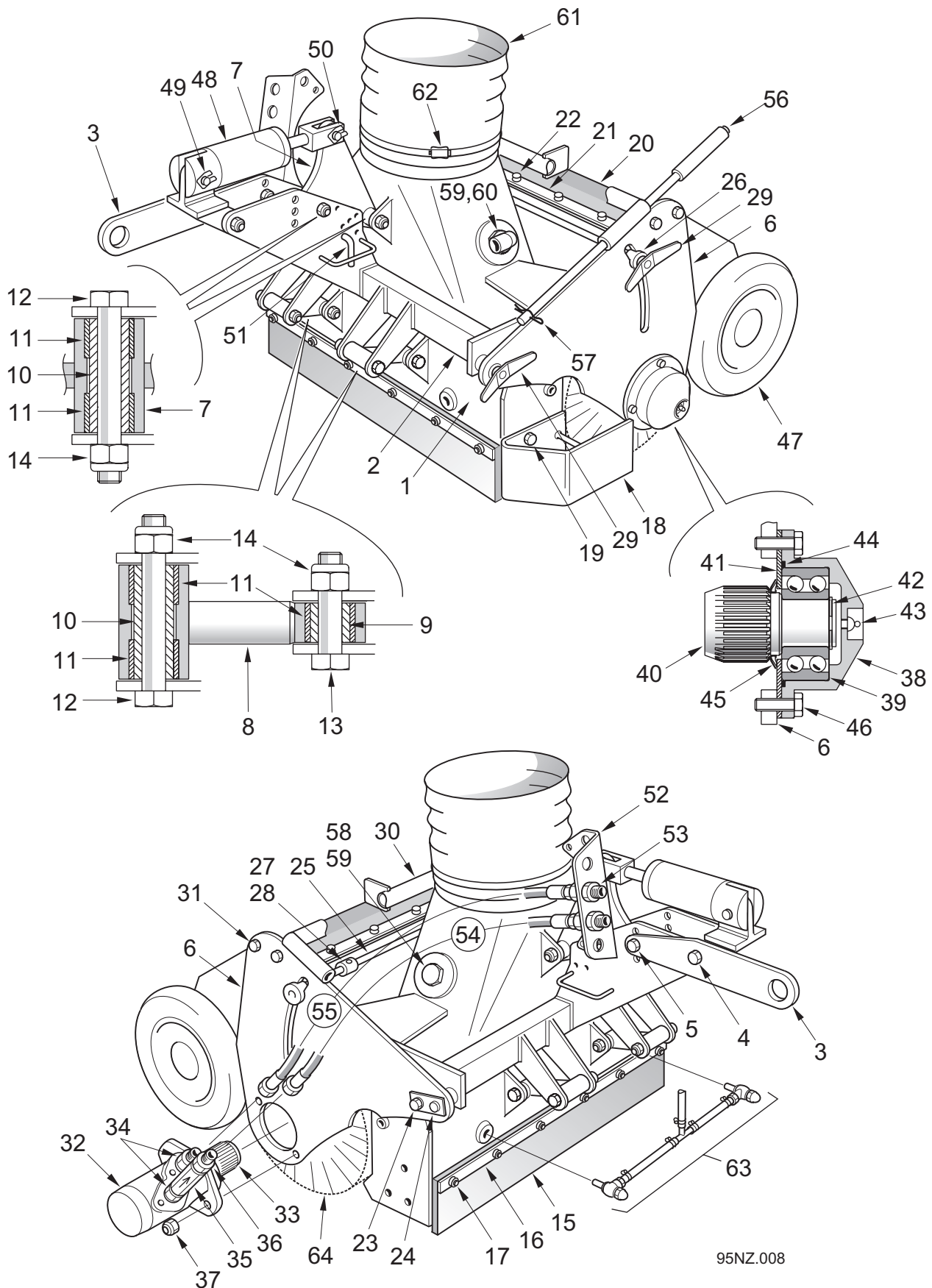
35.SG

Combivak Nozzle

Table of Contents

Section	Page
Nozzle Assembly	
Nozzle Assembly	35.SG : 34
Water Jets and Hoses	35.SG : 38
Brush Assembly	35.SG : 39
Nozzle Installation	
Nozzle Installation	35.SG : 40
> Hydraulic Hoses and Wiring Looms	
Hoses and Loom - L.H. Nozzle	35.SG : 42
Hoses and Loom - R.H. Nozzle	35.SG : 43
Hoses and Loom - Dual Nozzles	35.SG : 44
Hoses and Looms	35.SG : 45

Combivak Nozzle Assembly

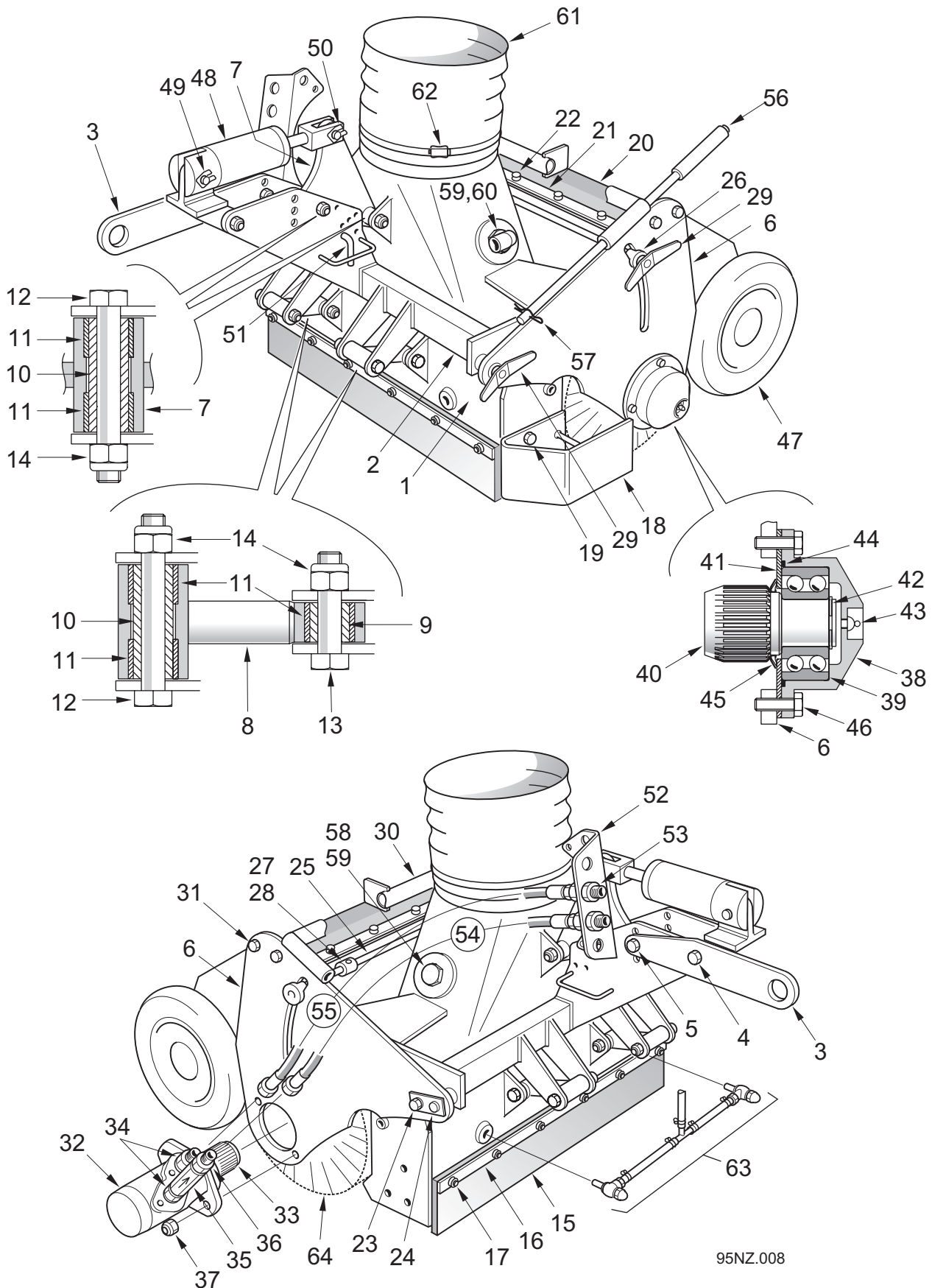


95NZ.008

Combivak Nozzle Assembly

Item No.	Part No.	Description	Quantity
	281887-1	LH Nozzle Assembly	
	281887-2	RH Nozzle Assembly	
1	280920-2	Lined Nozzle	1
2	62882-2	Carriage	1
3	200377-1	Tow Bracket	1
4	123-158	Bolt M12c x 100mm	1
	425-16	Nut M12c Nyloc	1
5	124-205	Setscrew M12c x 35mm	1
	425-16	Nut M12c Nyloc	1
6	802725-1	Cheek Plate	2
7	281884-1	Actuator	1
8	62567-1	Pivot Arm	2
9	42733-1	Bush - Bearing	2
10	42733-2	Bush - Bearing	4
11	29128-1	Bush - Bearing	10
12	123-156	Bolt M12c x 90mm	4
13	123-148	Bolt M12c x 50mm	2
14	425-16	Nut M12c Nyloc	6
15	62138-1	Front Rubber	1
16	62148-1	Clamp Strip	1
17	124-177	Setscrew M10c x 50mm	6
	425-15	Nut M10c Nyloc	6
18	62170-1	Skid	1
19	124-208	Setscrew M12c x 45mm	3
	425-16	Nut M12c Nyloc	3
20	41615-1	Rubber Curtain	1
21	41457-1	Clamp Strip	1
22	124-103	Setscrew M6c x 20mm	6
	425-13	Nut M6c Nyloc	6
23	62123-1	Pivot Pin	1
24	124-134	Setscrew M8c x 15mm	1
	460-10	Spring Washer M8	1
25	62124-1	Adjuster	1
26	62167-2	Slider	1
27	62157-1	Clamp Tube	1
28	135-23	Grub Screw M6c x 10mm	1
29	281305	Handle	2
30	62828-1	Cross Beam	1
31	124-169	Setscrew M10c x 25mm	4
	460-11	Spring Washer M10	4
32	40550-1	Hydraulic Motor	1
33	42489-1	Adaptor	1

Combivak Nozzle Assembly



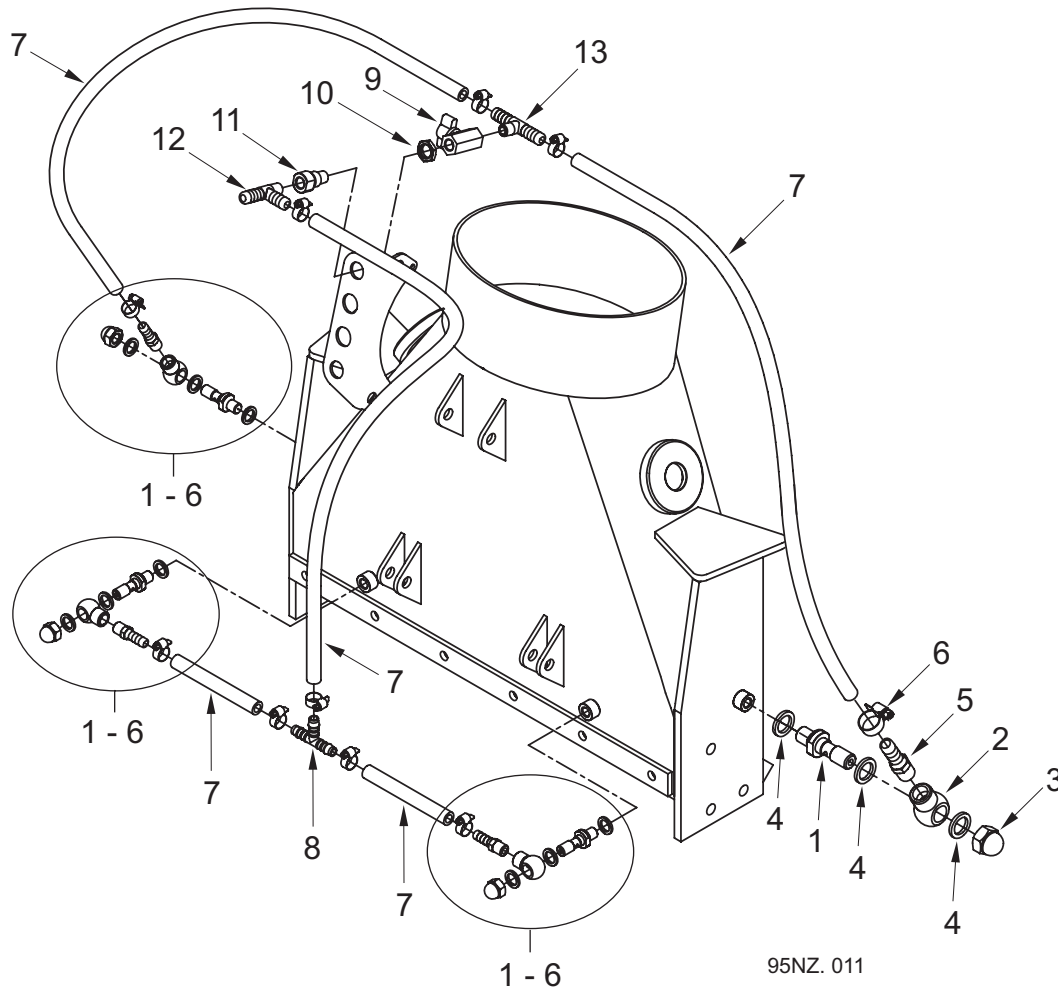
95NZ.008

Combivak Nozzle Assembly

Item No.	Part No.	Description	Quantity
34	263-4	Adaptor 1/2" BSP	2
	451-126	Washer - Copper 1/2" BSP	2
35	71457-1	Check Valve	1
36	42490-1	Adaptor	1
37	124-208	Setscrew M12c x 45mm	2
	425-16	Nut M12c	2
38	94737-1	Bearing Housing	1
39	14-47	Bearing	1
40	42490-1	Adaptor	1
41	42819-1	Bearing Support Plate	1
42	27-15	Circlip	1
43	38-1	Grease Nipple 1/8" Str.	1
44	80-94	'O' Ring	1
45	77-26	Oil Seal	1
46	124-137	Setscrew M8c x 25mm	4
	460-10	Spring Washer M8	4
47	-	Nozzle Wheel - See Chapter 25	2
48	29362-2	Cylinder	1
	290001-500	Cylinder Seal Kit	
49	29149-2	Clevis Pin)	1
	39624	Retaining Clip) Spares	1
50	62098-1	Clevis Pin) Items	1
	39624	Retaining Clip)	1
51	62135-1	Pin - Nozzle Stop	1
52	63321-1	Bracket	1
	124-137	Setscrew M8c x 25mm	1
	425-14	Nut M8c Nyloc	1
53	410-12	Black Nut 1/2"	2
54	-	See 'Hydraulic Hoses' items 161 and 162	-
55	-	See 'Hydraulic Hoses' items 163 and 164	-
56	62167-1	Handle	1
57	59-26	Split Pin	1
58	281755-1	Plug	2
59	410-57	Locknut	2
* 60	200493-1	Elbow	1
61	-	Nozzle Trunking) As Standard Nozzle	1
62	-	Hose Clip) See Chapter 25	1
63	-	Water Spray Jets, Hoses and Fittings - See Next Page	
64	-	Brush Assembly - See Over Page	

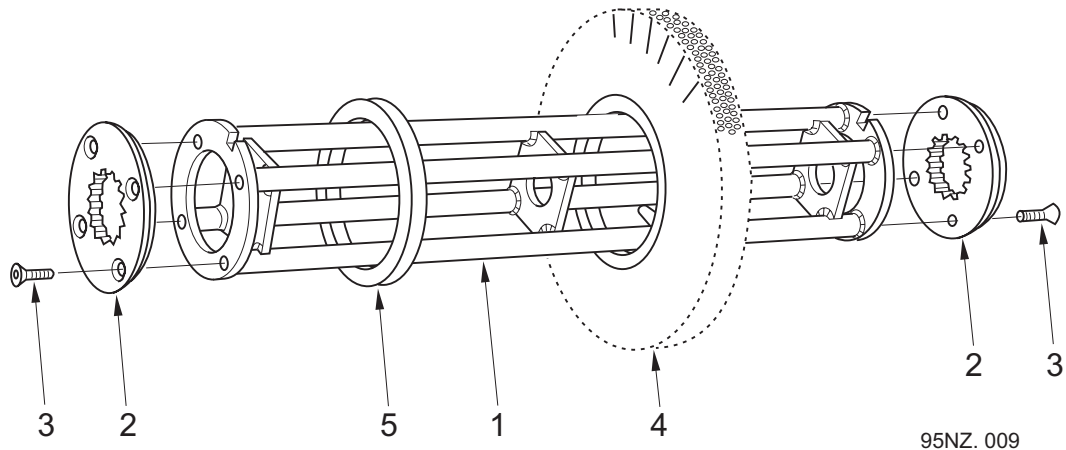
Notes

* Elbow, item 60, only fitted with Recirculating Water Option

Combivak Nozzle - Water Jets and Hoses


Item No.	Part No.	Description	Quantity
1	40755-2	Water Jet	4
2	26997-1	Banjo	4
3	418-12	Domed Nut	4
4	453-1	Fibre Washer	12
5	46382-3	Hose Adaptor	4
6	501-1	Hose Clip	10
7	39444	Hose	2.5m
8	277-2	Tee Connector	1
9	88-4	Ball Valve	1
10	410-3	Locknut 3/8" BSP	1
11	283640-1	Bulkhead Adaptor	1
12	90696-1	Hose Adaptor	1
13	62746-1	Hose Adaptor	1

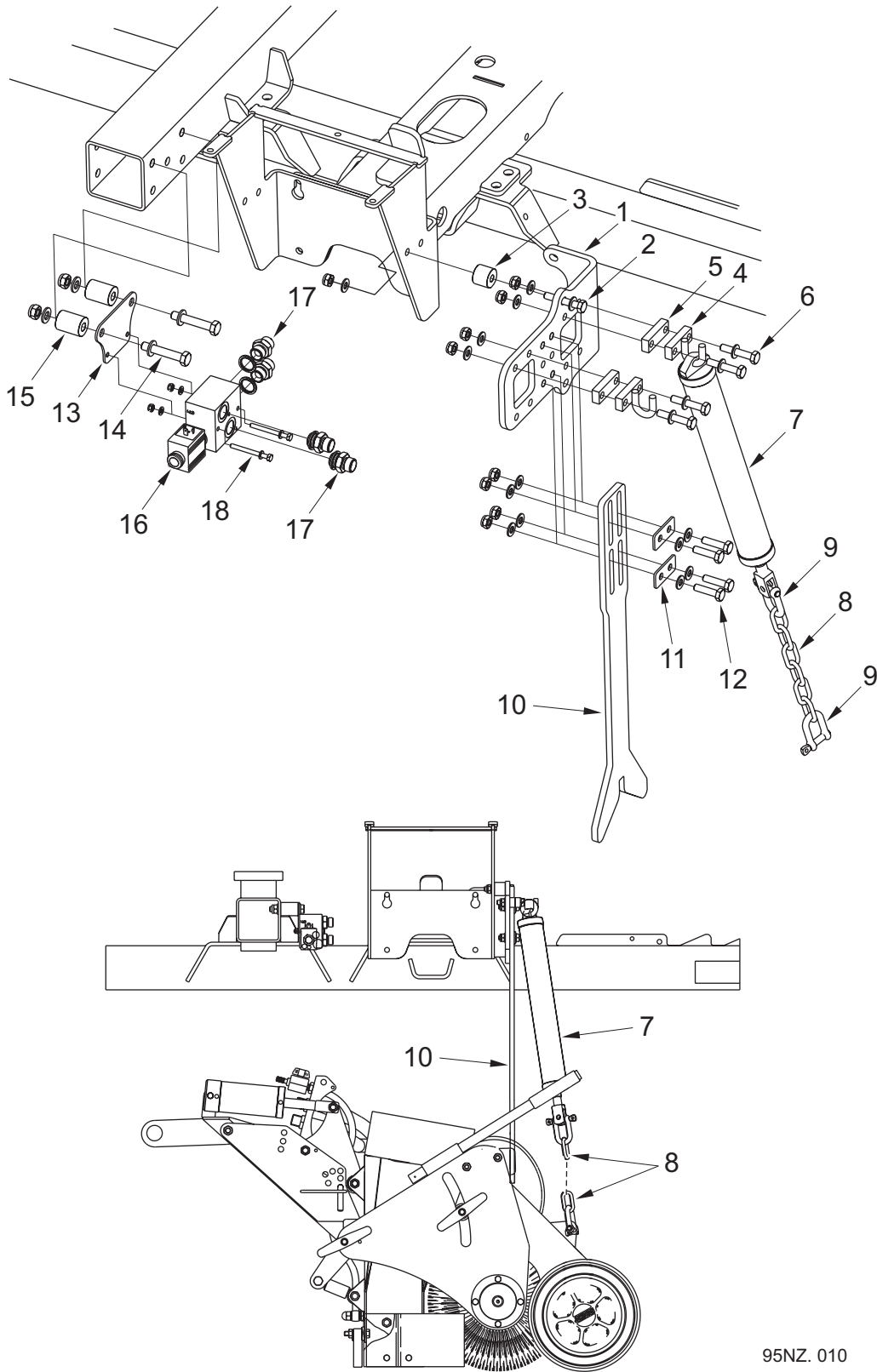
Combivak Nozzle - Brush Assembly



Item No.	Part No.	Description	Quantity
1	41433-5	Stock	1
2	41436-2	End Plate	2
3	131-131	Screw Csk. Soc. Hd. M8c x 40mm	8
4	15130	Brush Segment	42
5	15131	Brush Spacer	2

Notes

Combivak Nozzle - Installation



95NZ. 010

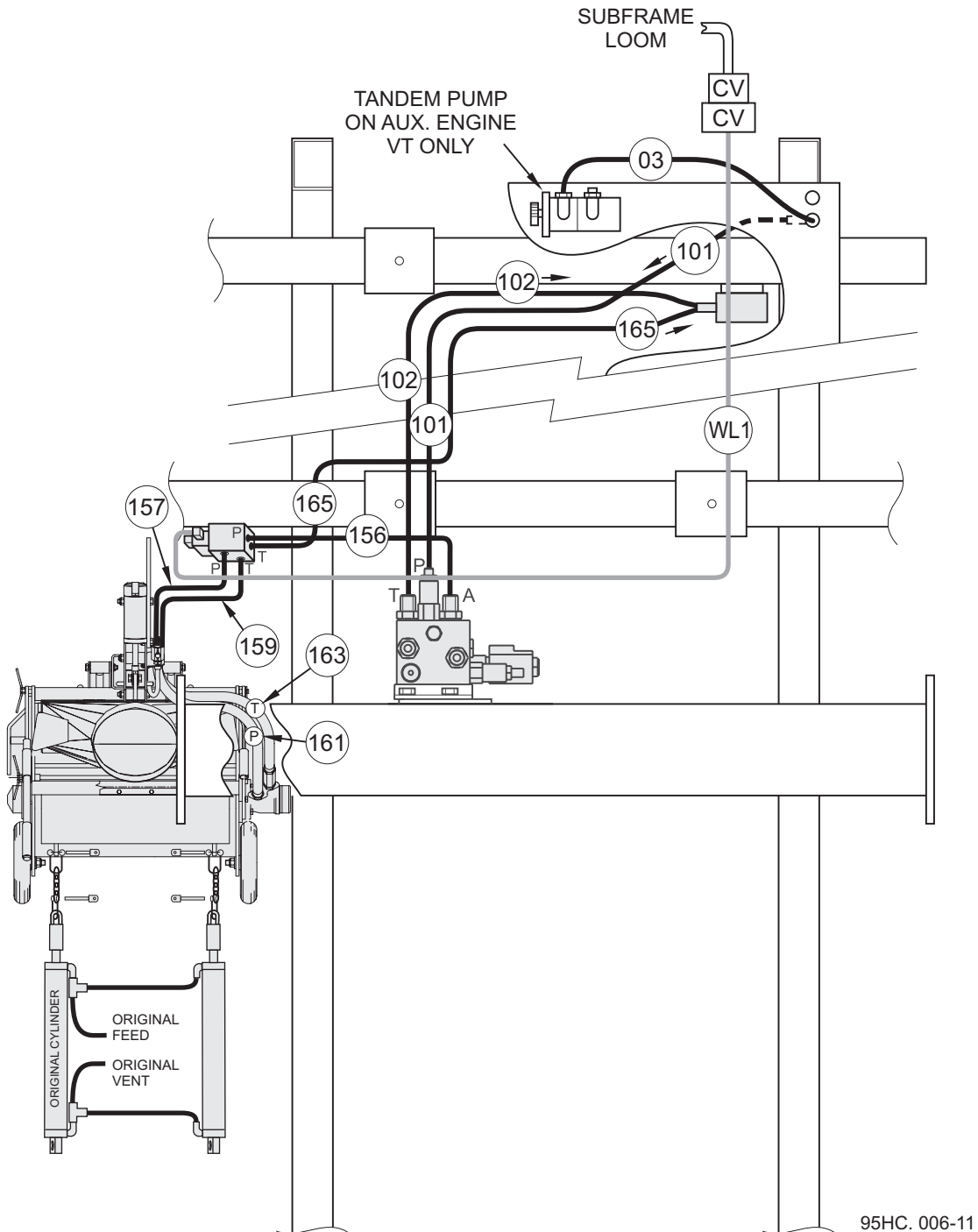
Combivak Nozzle - Installation

BoM KT06695

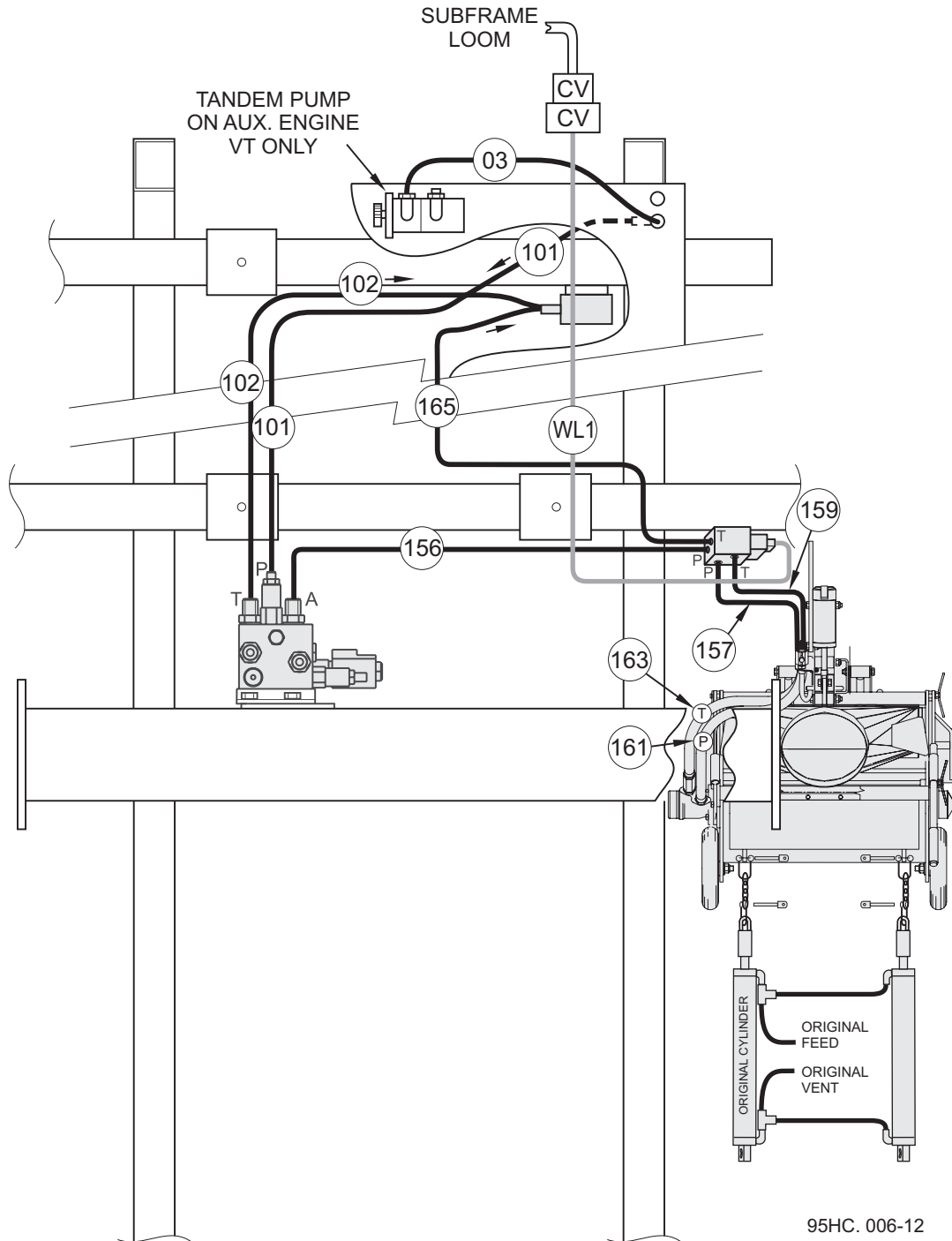
Item No.	Part No.	Description	Quantity
1	283540-1	Bracket	1
2	124-179	Screw M10 x 60	1
	455-11	Washer - Plain	2
	425-15	Nut - Nyloc M10	1
3	283307-3	Spacer - Nylon	1
4	40269-1	Lifting Hook	2
5	40457-2	Bar	2
6	124-178	Screw M10 x 55	4
	455-11	Washer - Plain	8
	425-15	Nut - Nyloc M10	4
7	29284-2	Cylinder	2
8	62165-6	Chain	2
9	62172-1	Shackle - Stainless Steel	4
10	283542-1	Arm	1
11	283567-1	Clamping Plate	2
12	124-175	Screw M10 x 40	4
	455-11	Washer - Plain	8
	425-15	Nut - Nyloc M10	4
13	283543-1	Plate	1
14	124-213	Screw M12 x 70	2
	455-12	Washer - Plain	4
	425-16	Nut - Nyloc M12	2
15	283307-4	Spacer - Nylon	1
16	283565-12	Valve Block Assembly - 12v	1
	283565-24	Valve Block Assembly - 24v	1
17	263-4	Adaptor G1/2"	4
	451-19	Washer - Sealing	4
18	124-116	Screw M6 x 65	2
	455-8	Washer - Plain	4
	425-13	Nut - Nyloc M6	2

Notes

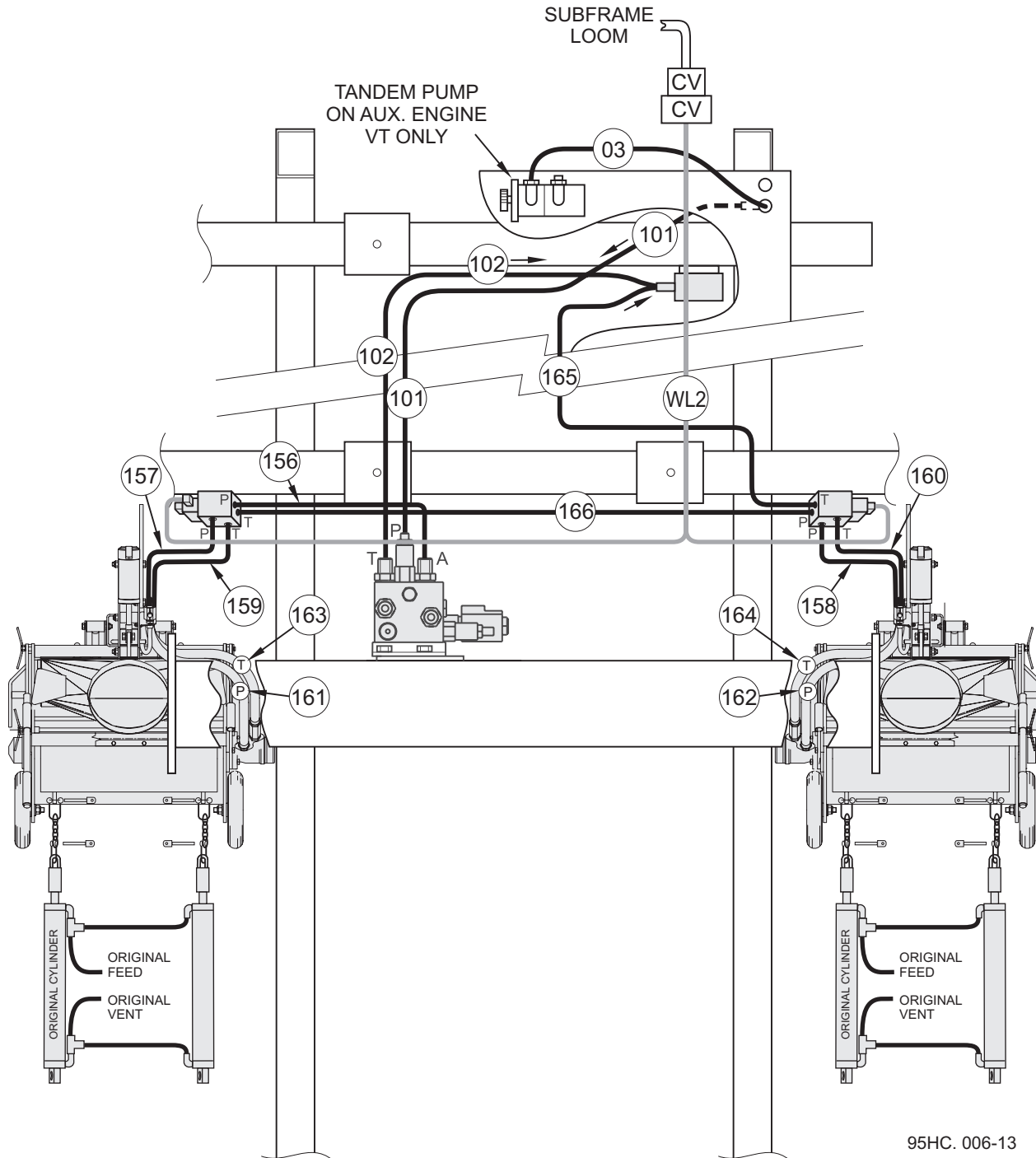
Hydraulic Hoses and Wiring Loom - L.H. Combivak Nozzle



Hydraulic Hoses and Wiring Loom - R.H. Combivak Nozzle



Hydraulic Hoses and Wiring Loom - Dual Combivak Nozzles



Hydraulic Hoses and Wiring Looms - Combivak Nozzle

BoM KT06695, Drg. 281887

Item No.	Part No.	Description	Quantity
03	-) See chapter 22.PA/PB, Common Parts -) 'PTO Pump Installations'	
101	-) See chapter 28 -	
102	-) 'Tandem/Options Pump Valve Block Installations'	
156	HC08000-168	1/2" Hydraulic Hose	1
157	HC08002-85	1/2" Hydraulic Hose	1
158	HC08002-85	1/2" Hydraulic Hose	1
159	HC08002-85	1/2" Hydraulic Hose	1
160	HC08002-85	1/2" Hydraulic Hose	1
161	HC06004-87	3/8" Hydraulic Hose	1
162	HC06004-87	3/8" Hydraulic Hose	1
163	HC06004-77	3/8" Hydraulic Hose	1
164	HC06004-77	3/8" Hydraulic Hose	1
165	HC08000-168	1/2" Hydraulic Hose	1
166	HC08000-168	1/2" Hydraulic Hose	1
> Looms			
WL1	283566-1	Combivak Loom - Single	1
WL2	283566-2	Combivak Loom - Dual	1

Notes

Hose item numbers 156 to 166 correspond with those in Hydraulic diagram SH529z01 in Chapter 8.

35.WS

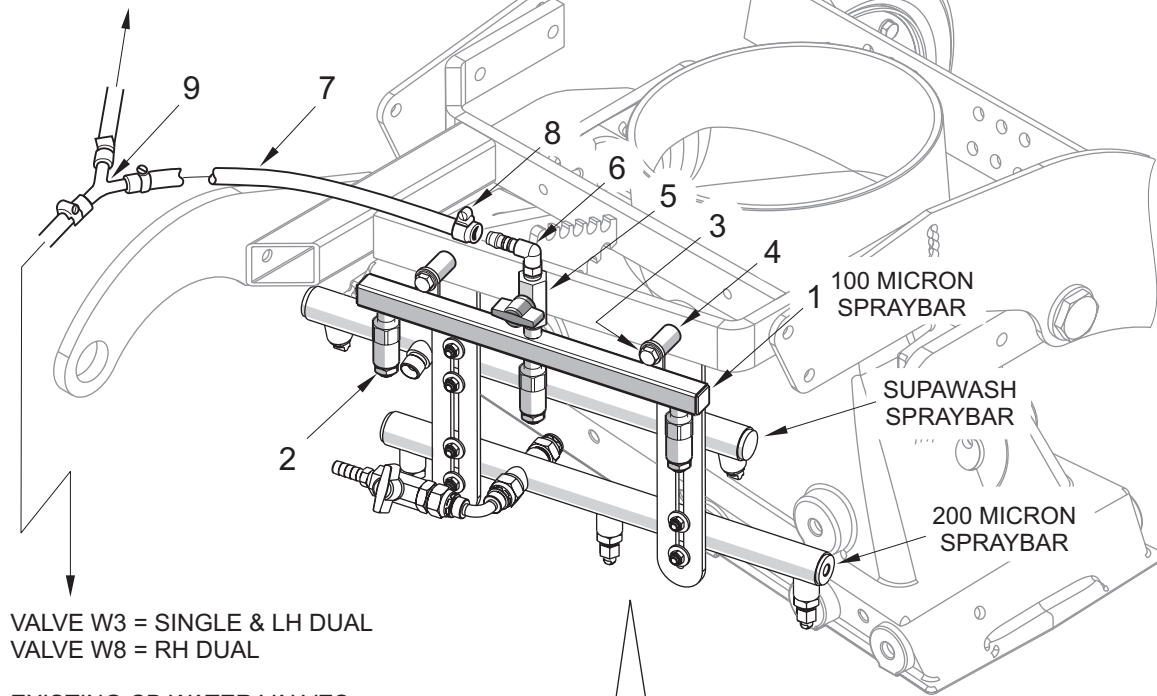
Water System - Microtrap Sprays

Table of Contents

Section	Page
PM10 Spraybar Installation - Nozzle Draw Bar	35.WS : 2
100 Micron Spraybar Installation - C.B. Pivot Frame	35.WS : 4

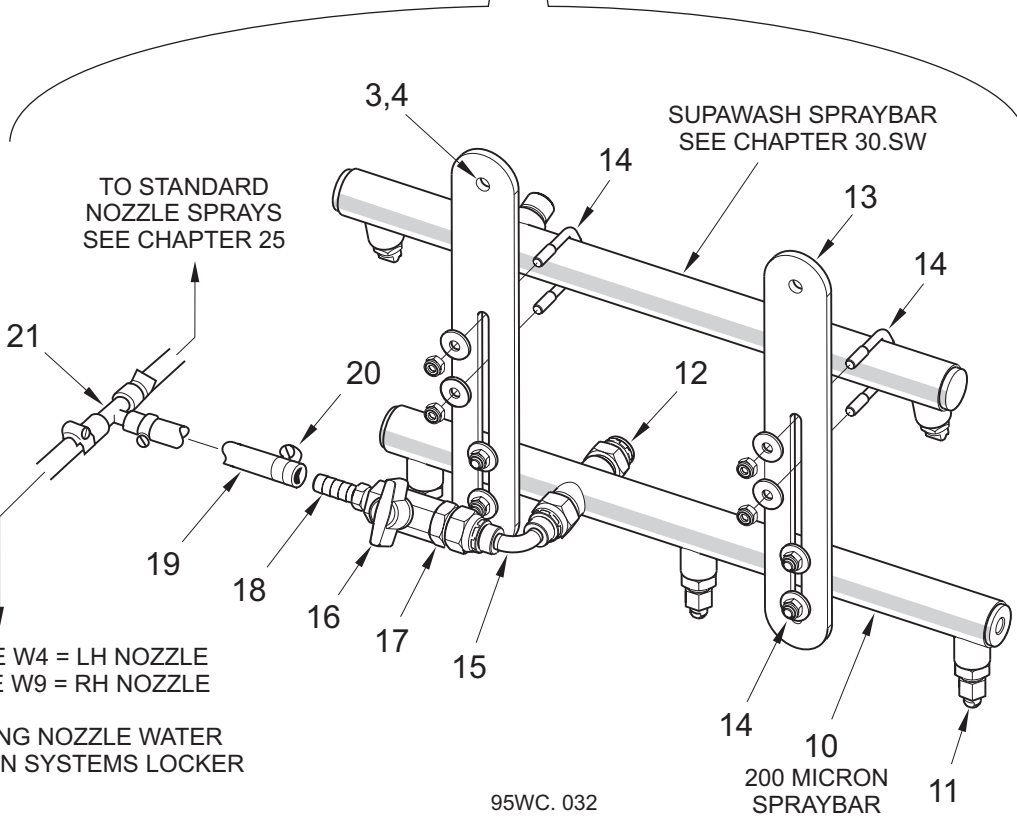
PM10 (plus Supawash) Spray Bar Installations - Nozzle Draw Bar

CHANNEL BRUSH
ATOMISING SPRAY BAR
SEE NEXT PAGE



VALVE W3 = SINGLE & LH DUAL
VALVE W8 = RH DUAL

EXISTING CB WATER VALVES
IN SYSTEMS LOCKER



TO STANDARD
NOZZLE SPRAYS
SEE CHAPTER 25

SUPAWASH SPRAYBAR
SEE CHAPTER 30.SW

VALVE W4 = LH NOZZLE
VALVE W9 = RH NOZZLE

EXISTING NOZZLE WATER
VALVES IN SYSTEMS LOCKER

95WC. 032

PM10 (plus Supawash) Spray Bar Installations - Nozzle Draw Bar

BoM KT01995

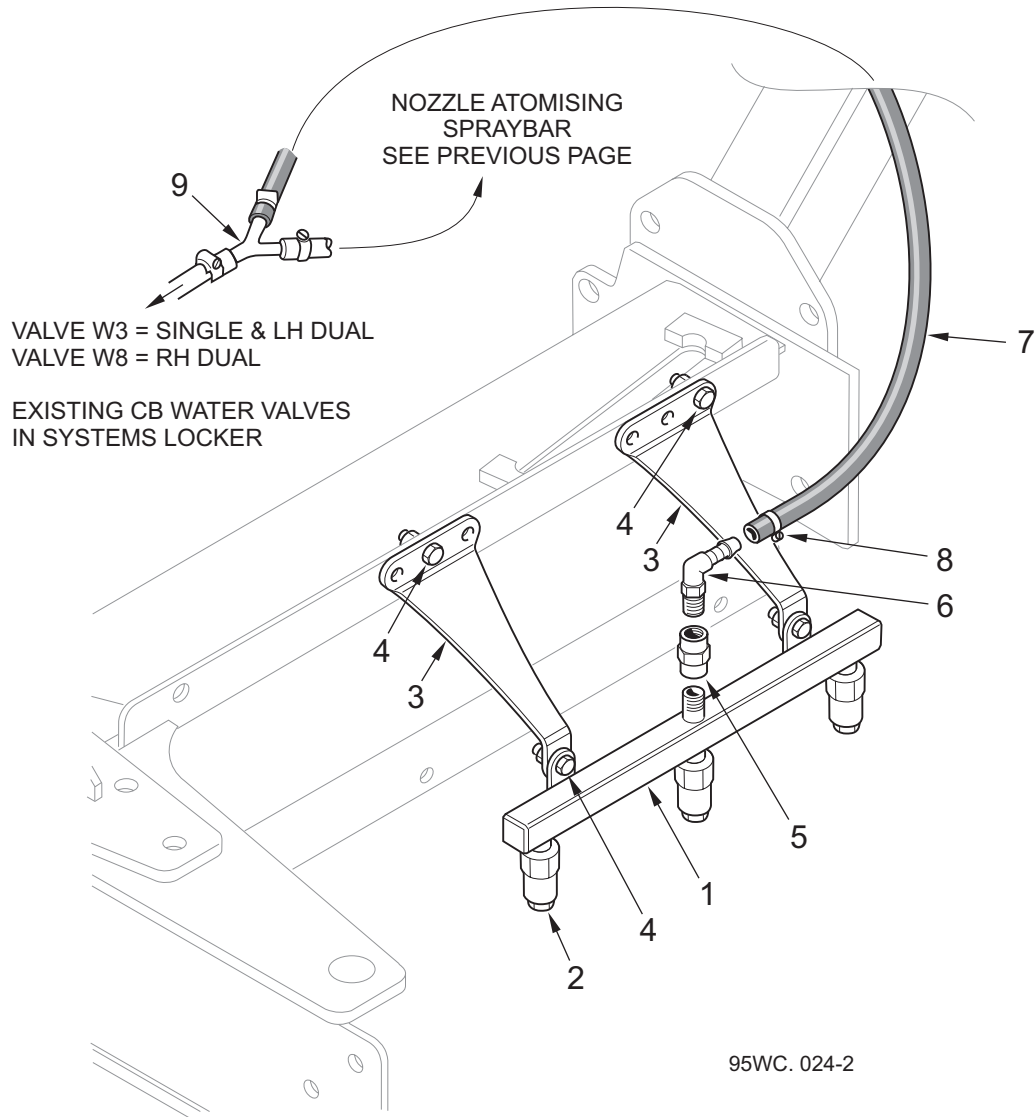
Item No.	Part No.	Description	Quantity
	283393-2	100 Micron (Atomising) Spray Bar Assembly Comprising items 1 to 6:-	
1	201076-1	Spray Bar	1
2	21-319	Nozzle Jet	3
3	124-148	Screw M8 x 65	2
	455-10	Washer - Plain M8	4
	425-14	Nut - Nyloc M8	2
4	56589-8	Spacer	2
5	88-4	Tap	1
6	277-20	Elbow - Hose Connector	1
7	39444	Hose 3/8" Bore	As Req'd
8	501-1	Hose Clip	2
9	39640	'Y' Connector	1
	283393-3	200 Micron Spray Bar Assembly Comprising items 10 to 18:-	
10	63584-1	Spray Bar	1
11	263-2	Adaptor 1/4" BSP	3
	60690-1	Nozzle Jet	3
	60689-1	Union Nut	3
12	68-18	Blanking Cap	1
13	201232-1	Mounting Plate	2
* 14	6105-1	U-Bolt M6	2
	457-2	Washer - Plain Large M6	4
	425-13	Nut - Nyloc M6	4
15	242-51	Elbow 3/8" BSP - Swivel	1
16	88-4	Tap	1
17	265-2	Adaptor 1/4" x 3/8" BSP	1
18	46382-3	Hose Adaptor	1
19	39444	Hose	As Req'd
20	501-1	Hose Clip	4
21	277-2	Tee Connector	1

Notes

* If a Supawash Spray Bar is fitted an additional two U-bolts, items 14, will be required.

For Water Circuit diagrams see SW511b01 (Single) and SW512b011 (Dual) in Chapter 10

100 Micron Spray Installation - Channel Brush Pivot Frame



BoM KT01995

Item No.	Part No.	Description	Quantity
1	201076-1	Spray Bar	1
2	21-319	Nozzle - Water Atomising	3
3	283317-1	Mounting Bracket	2
4	124-138	Setscrew M8 x 28	4
	425-14	Nut - Nyloc M8	4
5	66-36	Adaptor G1/4"	1
6	277-20	Hose Connector Elbow R1/4" x Ø10	1
7	39444	Hose 3/8" Bore	As Req'd
8	501-1	Hose Clip	1
9	-	'Y' Connector (See Nozzle Atomising Spraybar on previous page)	1

For Water Circuit diagrams see SW511b01 (Single) and SW512b011 (Dual) in Chapter 10

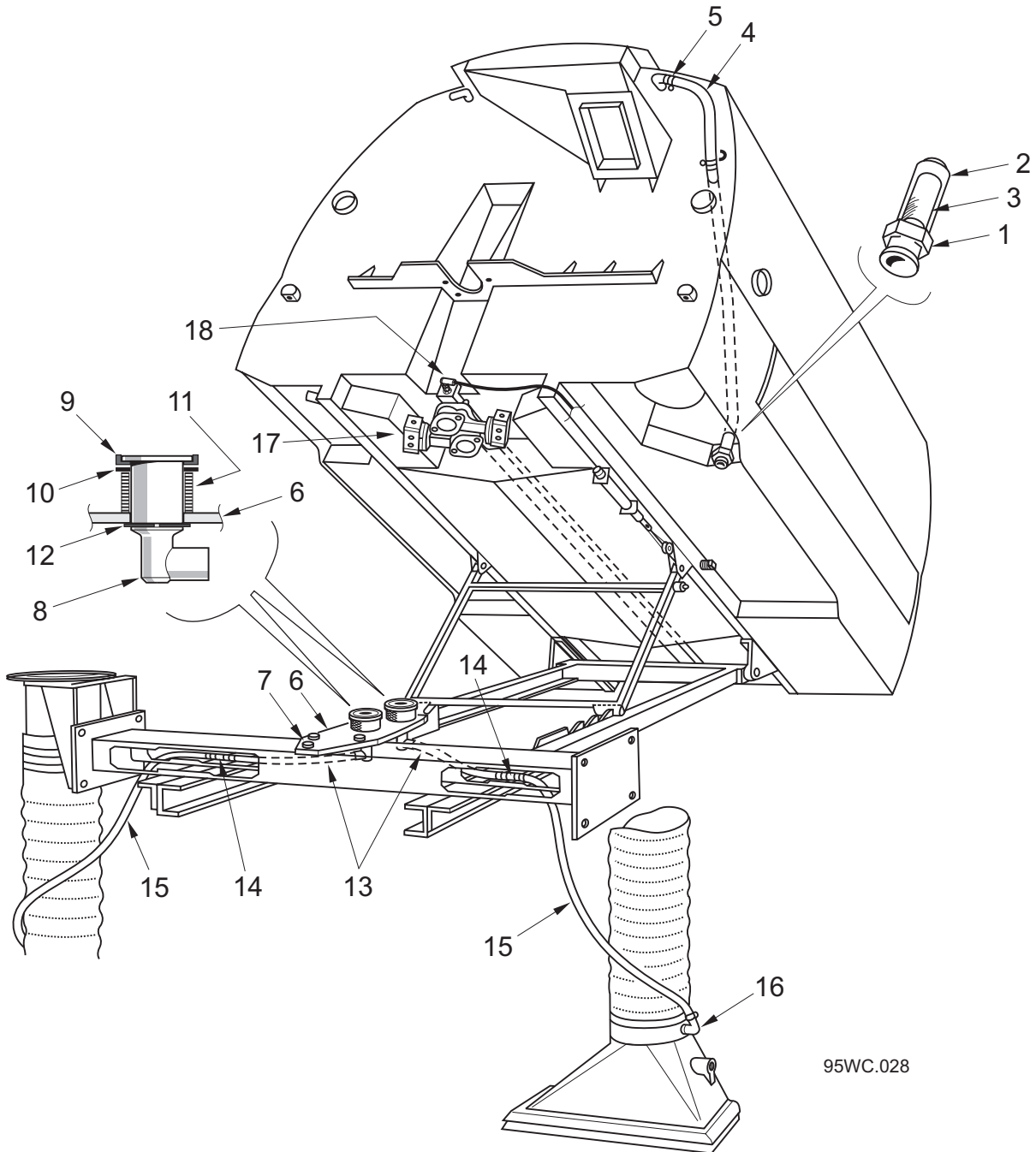
35.WS

Water System - Water Recirculation

Table of Contents

Section	Page
System Components	35.WS : 6
Valve Installation	35.WS : 8

Recirculation System Components



95WC.028

Recirculation System Components

BoM KT09195

Item No.	Part No.	Description	Quantity	
			Single	Dual
1	667-31	Hydrant Coupling - Stortz	1	1
	186481-1	Hydrant Coupling - UK Machines only	1	1
2	42119-1	Body - Hydrant Filler Filter	1	1
3	39402	Filter Element	1	1

BoM KT05495

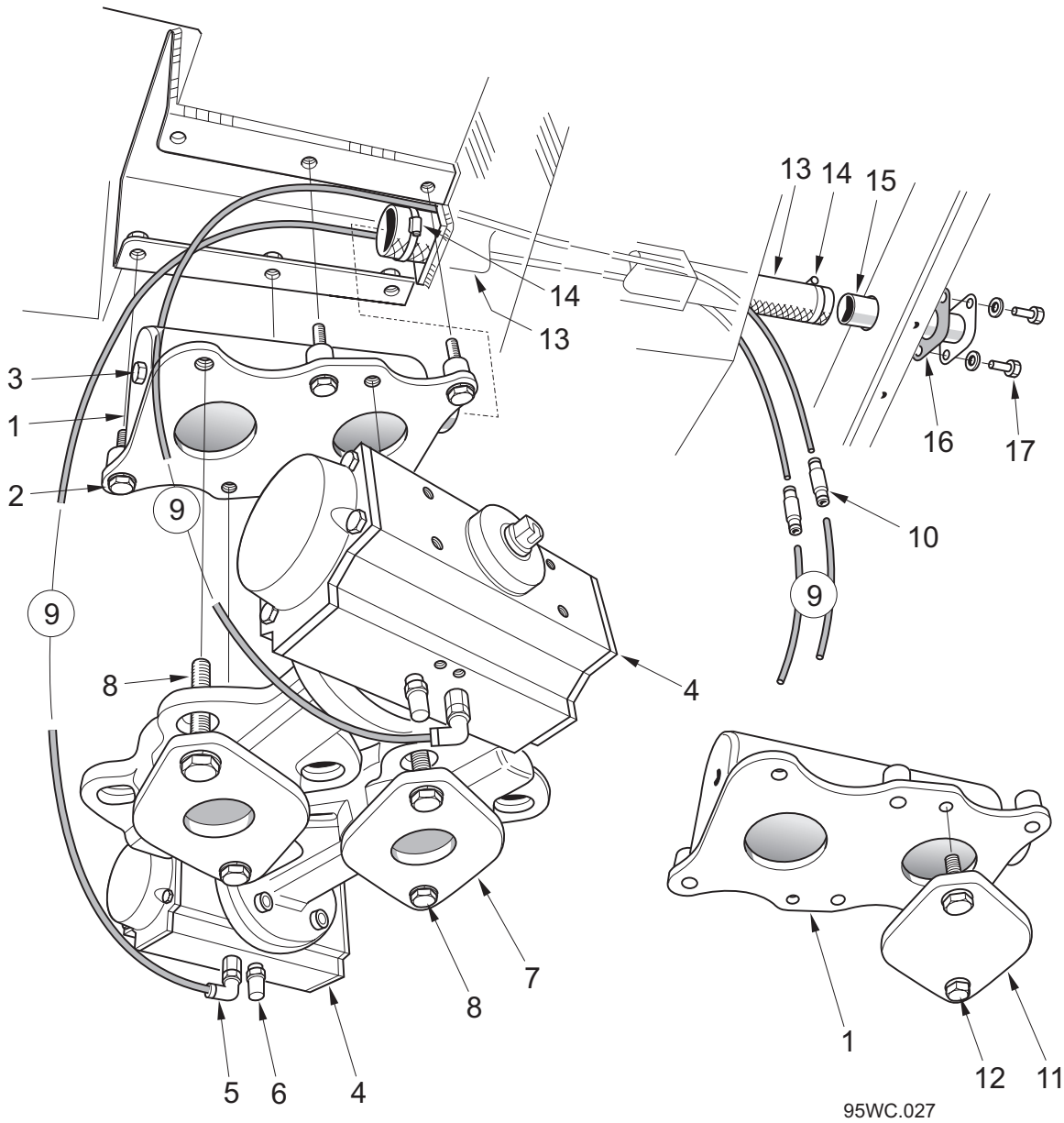
4	272-21	Hose 'Lay Flat' x 750mm long	1	1
5	501-4	Hose Clip	2	2
6	200429-1	Mounting Plate	1	1
7	124-169	Screw M10 x 25	3	3
	455-11	Washer - Plain	3	3
	460-11	Washer - Spring	3	3
		Make and Break Seal comprising items 8 to 12		
8	282751-1	Stem	1	2
9	282765-1	Seal	1	2
10	282752-1	Seal Support	1	2
11	200174-1	Wave Spring	1	2
12	27-5	Circlip	1	2
13	272-20	Hose - Clear	0.4m	0.8m
	501-4	Hose Clip	2	4
14	281576-1	Support	1	2
	124-135	Screw M8 x 20	1	2
	455-10	Washer - Plain	1	2
	425-14	Nut - Nyloc M8	1	2

BoM KT05595

15	272-20	Hose - Clear	1.5m	3.0m
	501-25	Hose Clip	2	4
16	200493-1	Elbow	1	2
	410-57	Locknut	2	4
17	-	Valves - See next page	-	-
18	-	Supawash Backflush System - See Supawash Section 30.SW		

Notes

Valve Installation



Valve Installation

BoM KT05495

Item No.	Part No.	Description	Quantity	
			Single	Dual
1	280586-2	Valve Box	1	1
2	123-129	Bolt M10 x 45	4	4
	460-11	Washer - Spring M10	4	4
3	54-4	Plug G 1/2" Brass - Used when Supawash Backflush is not fitted. See Chapter 30.SW	1	1
4	200402-1	Butterfly Valve - Pneumatic	1	2
5	552-3	Elbow G 1/8" x Ø6	1	2
6	72-17	Exhaust	1	2
7	200431-1	Clamp Plate	1	2
8	124-181	Screw M10 x 70	2	4
	460-11	Washer - Spring M10	2	4
9	273-20	Tubing - Blue Ø6	10m	20m
10	547-3	Straight Connector	1	2
11	200788-1	Blanking Plate - Seals redundant port on singles	1	-
12	124-166	Screw M10 x 16	2	-
	460-11	Washer - Spring M10	2	-
13	272-15	Flexible Tube x Ø50 Bore	2m	2m
14	504-6	Hose Clip	2	2
15	280581-2	Stub Tube	1	1

BoM 950611, 960611

16	282574-1	Gasket	1	1
17	118-169	Screw M10 x 25 - Stainless Steel	2	2
	451-6	Washer - Sealing M10	2	2

Notes

For Pneumatic Circuit see diagram SP543a01 in Chapter 11

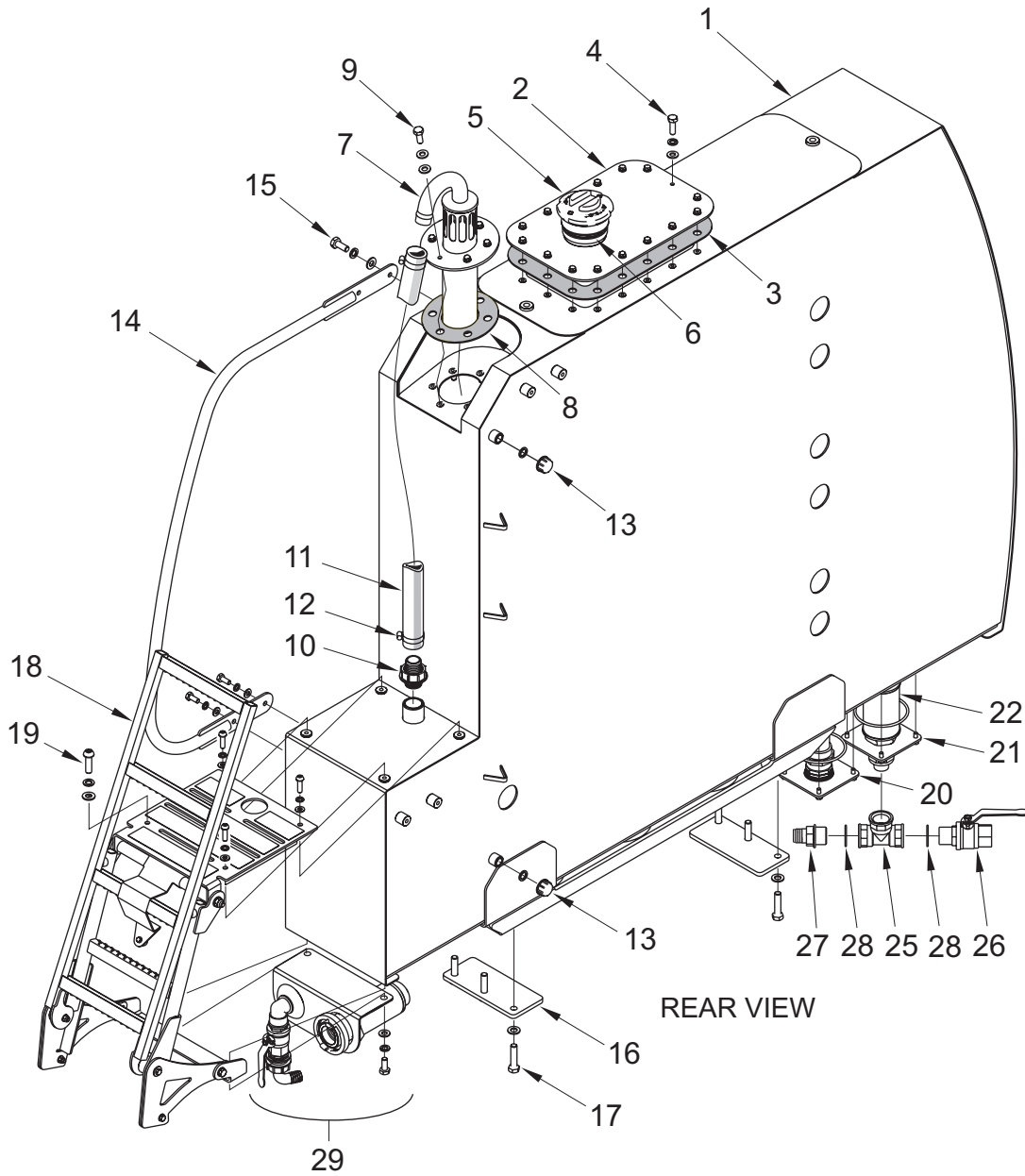
35.WS

Water System - Auxiliary Tank

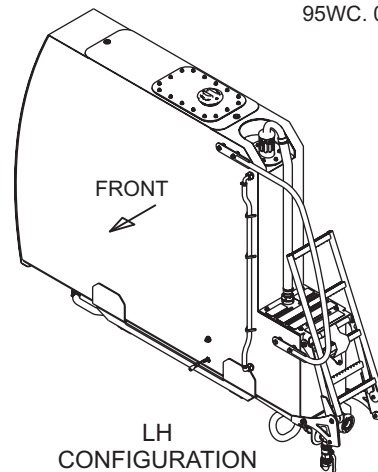
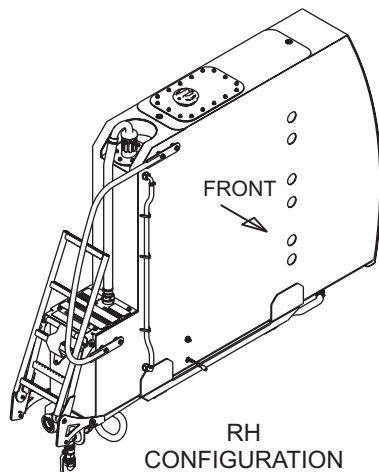
Table of Contents

Section	Page
Auxiliary Water Tank Assembly	
Auxiliary Tank	35.WS : 12
Ladder	35.WS : 16
Valve Plate	35.WS : 18
Installation	
Water Hose Layout	35.WS : 19
Wiring	
Warning Light Wiring Layout	35.WS : 20

Auxiliary Tank Assembly



95WC. 033

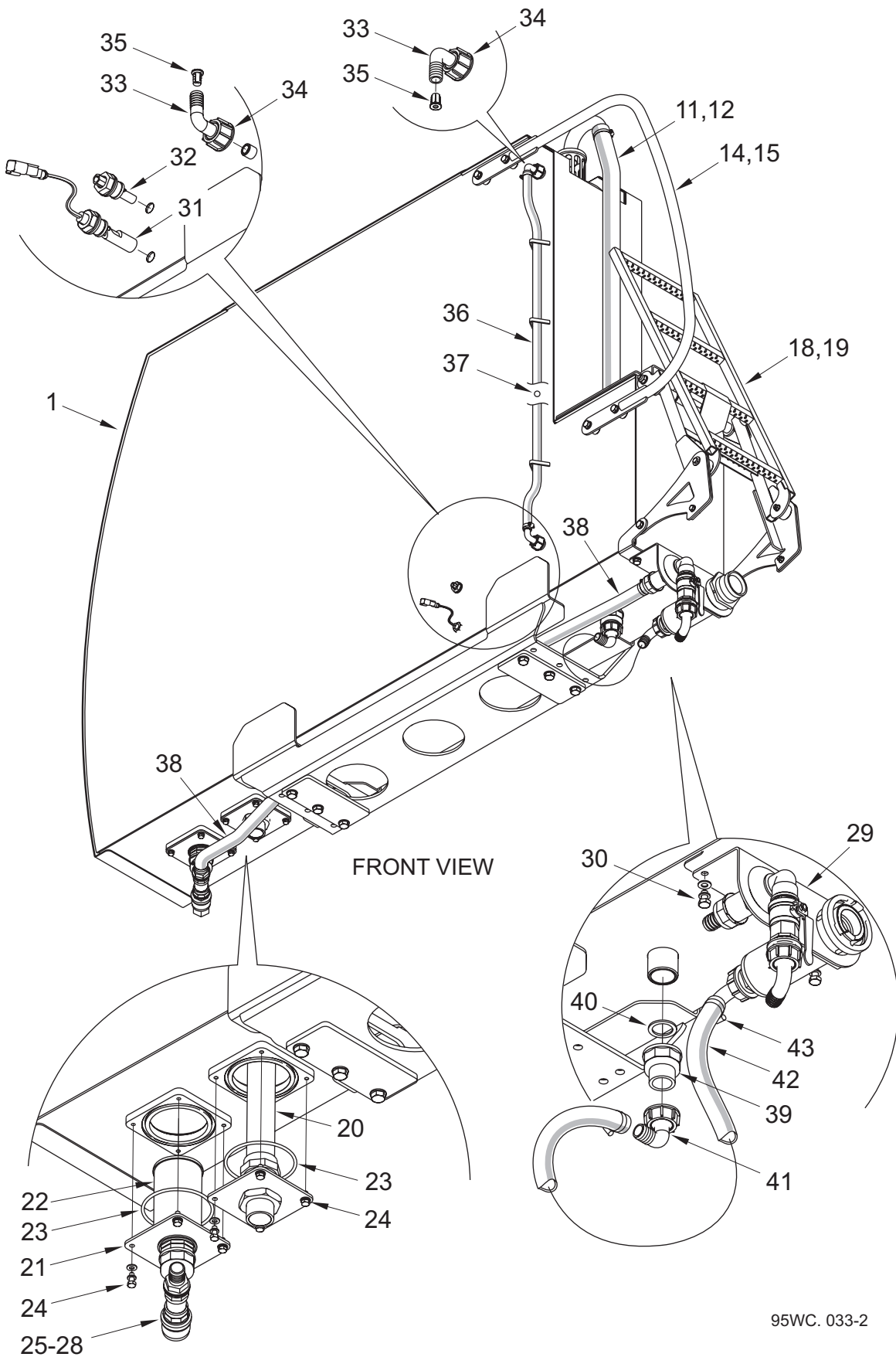


Auxiliary Tank Assembly

BoM KT09795

Item No.	Part No.	Description	Quantity
	283000-1	Auxiliary Water Tank Assembly L.H. Export Market	
	283000-2	Auxiliary Water Tank Assembly L.H. U.K. Market (Different Hydrant Couplings - See item 29)	
1	283001-1	Auxiliary Tank	1
2	283024-1	Cover Plate	1
3	283023-1	Gasket	1
4	124-137	Screw M8 x 24	16
	460-10	Washer - Spring M8	16
	455-10	Washer - Plain M8	16
5	284040-1	Cap	1
6	40643-1	Cap Seal	1
7	283823-1	Water Break Valve	1
8	283026-1	Gasket	1
9	124-135	Screw M8 x 20	6
	460-10	Washer - Spring M8	6
	455-10	Washer - Plain M8	6
10	277-199	Spigoted 1 1/2" (F) Cap + Ø35 Barb	1
11	272-17	Hose Ø35 I/D x 1.0m	1
12	501-5	Hose Clip	2
13	277-189	Blanking Cap 3/4"(F)	2
	277-160	Gasket 3/4"	2
14	283039-1	Grab Rail	1
15	124-169	Screw M10 x 25	4
	460-11	Washer - Spring M10	4
	455-11	Washer - Plain M10	4
16	283073-1	Anti Vibration Mount	2
17	122-167	Bolt M14 x 60	6
	455-13	Washer - Plain M14	6
18	-	Ladder Assembly - Covered elsewhere in this section	1
19	138-158	Screw, Button Hd M10 x35	4
	460-11	Washer - Spring M10	4
	455-11	Washer - Plain M10	4
20	283032-1	Overflow Assembly	1
21	283062-1	Filter Assembly	1
22	6974-1	Filter Element - Spares item	1
23	80-143	'O' Ring	2
24	124-135	Screw M8 x 20	8
	460-10	Washer - Spring M8	8
	455-10	Washer - Plain M8	8
25	277-128	Tee G1"(F)	1
26	88-26	Ball Valve	1
27	277-125	Hosetail G1" x Ø1"	1
28	277-220	'O' Ring	2

Auxiliary Tank Assembly



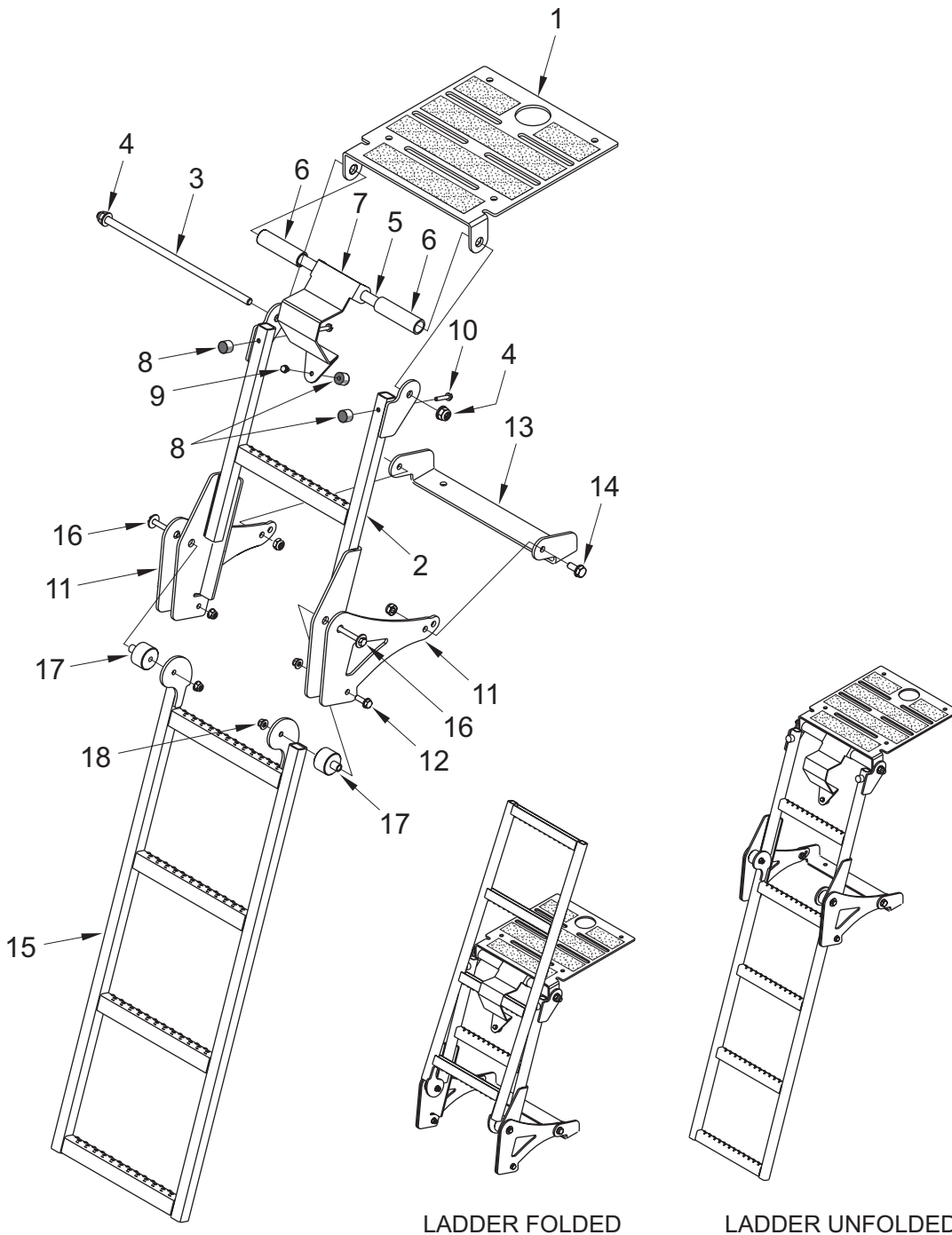
95WC. 033-2

Auxiliary Tank Assembly

Item No.	Part No.	Description	Quantity
29	-	Valve Plate Assemblies - Covered elsewhere in this section.	
30	124-167	Screw M10 x 20	2
	460-11	Washer - Spring M10	2
	455-11	Washer - Plain M10	2
31	48-328	Level Switch	1
32	48-356	Switch - Float Blank	1
33	277-186	Hosetail Barb 90°	2
34	277-159	Flynut 3/4" BSP	2
35	44-55	Insert M6	2
36	15656-1131	Sight Tube	1
	501-2	Hose Clip	2
37	22-7	Ball	1
38	272-20	Clear Tube Ø25 I/D	1
	501-25	Hose Clip	2
39	277-138	Reducing Bush	1
40	277-262	Gasket	1
41	277-140	Spigoted 1 1/4"(F) BSP Cap + 90° Barb	1
42	272-20	Clear Tube Ø25 I/D	1
43	501-25	Hose Clip	2

Notes

Ladder Assembly



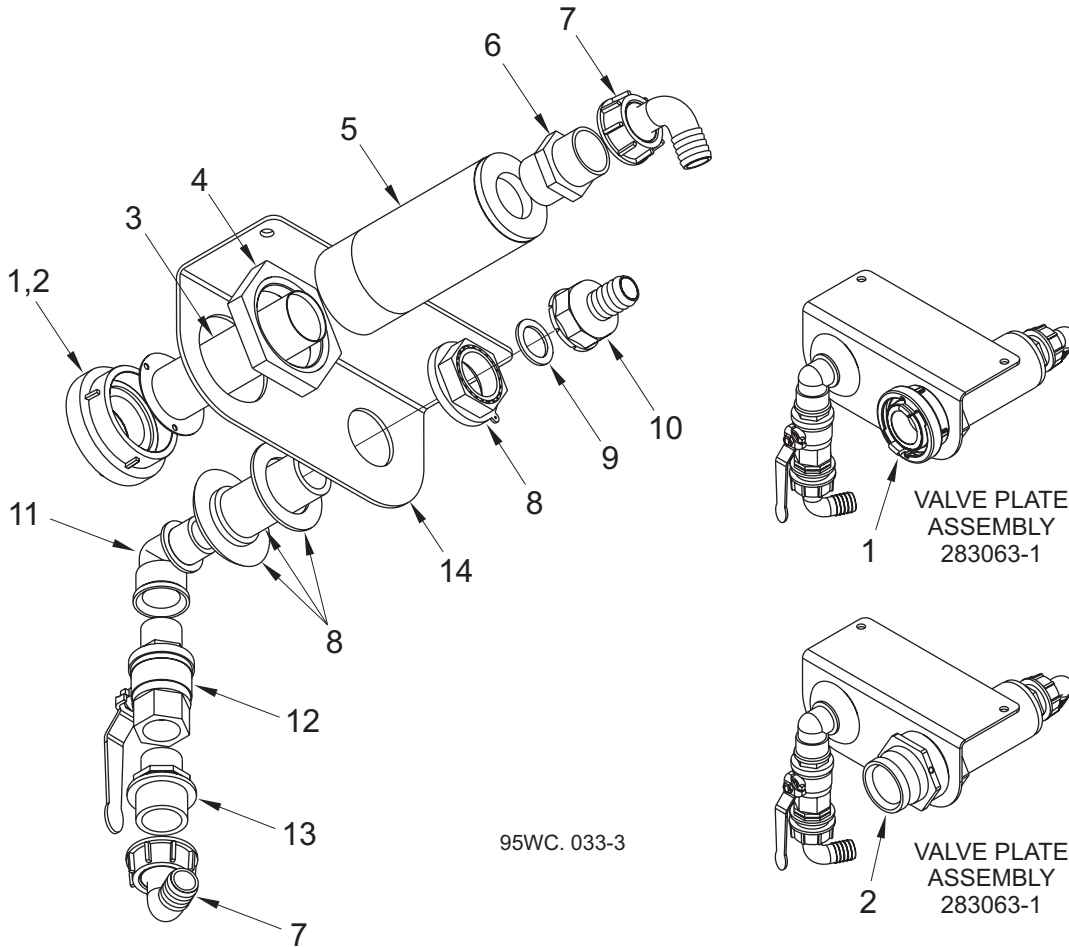
95WC. 033-4

Ladder Assembly

BoM KT09795

Item No.	Part No.	Description	Quantity
	283042-1	Ladder Assembly comprising items 1 to 18:-	
1	283043-1	Foot Plate	1
	283045-1	Upper Ladder Assembly comprising items 2 to 5:-	
2	283046-1	Upper Ladder	1
3	283053-1	Pivot Stud	1
4	455-12	Washer - Plain M12	2
	425-16	Nut - Nyloc M12	2
5	283052-1	Pivot Tube	1
6	283367-1	Hook Locator	2
7	283297-1	Hook	1
8	290-31	Anti-vibration Mount	3
9	124-99	Screw M6 x 10	1
	455-8	Washer - Plain M6	1
10	124-108	Screw M6 x 32	2
	455-8	Washer - Plain M6	2
11	283288-1	Stay	2
12	124-137	Screw M8 x 25	2
	455-10	Washer - Plain M8	2
13	283054-1	Mounting Bracket	1
14	124-169	Screw M10 x 25	2
	455-11	Washer - Plain M10	2
	283055-1	Lower Ladder Assembly comprising items 15 to 18:-	
15	283056-1	Lower Ladder	1
16	123-112	Bolt M8 x 60	2
	457-4	Washer - Large Plain M8	2
17	283058-1	Pivot Spacer	2
18	455-12	Washer - Plain M8	2
	425-16	Nut - Nyloc M8	2

Notes

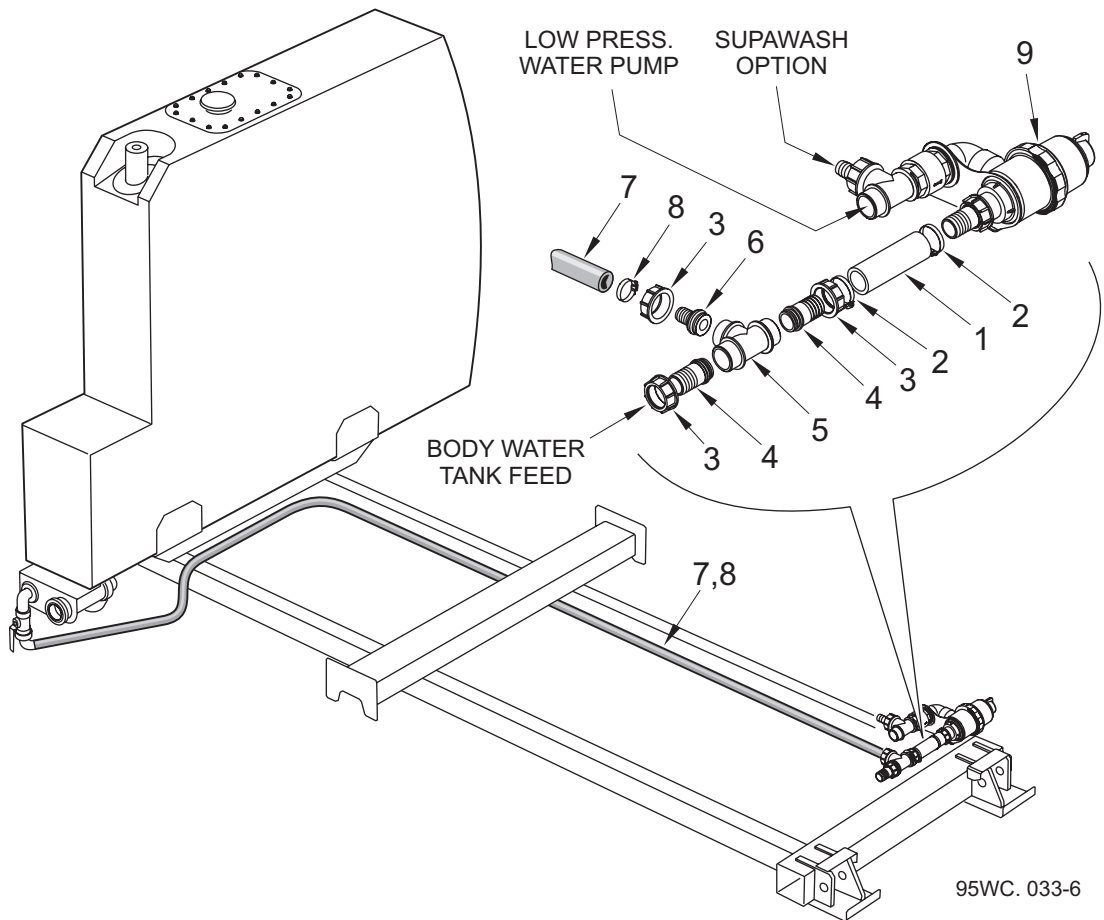
Valve Plate Assembly


95WC. 033-3

BoM KT09795

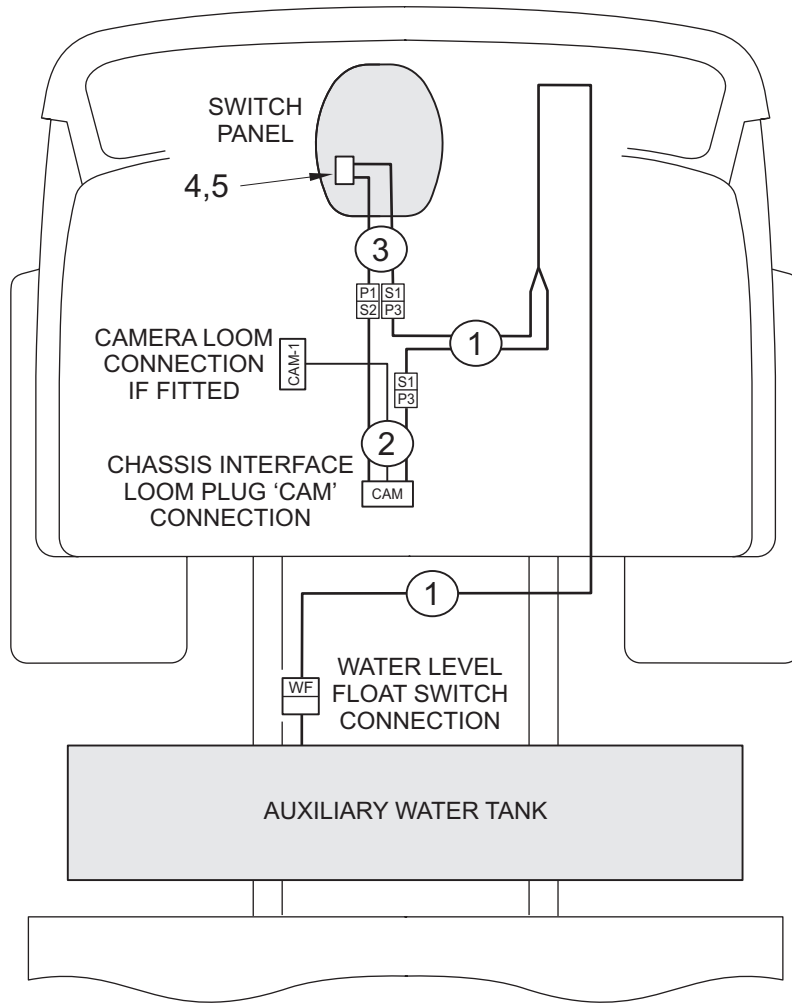
Item No.	Part No.	Description	Quantity
	283063-1	Valve Plate Assembly - Export, with Stortz Hydrant coupling, item 1	
	283063-2	Valve Plate Assembly - UK, with Instantaneous Hydrant coupling, item 2	
1	667-31	Hydrant Coupling - Stortz, 2 1/2" Female	1
2	18684-1	Hydrant Coupling - Instantaneous, 2 1/2" Female	1
3	39402	Filter Element	1
4	410-210	Backnut G 2 1/2"	1
5	42119-2	Body - Hydrant Filler	1
6	277-194	Nipple G 1 1/4"	1
7	277-140	Spigoted 1 1/4"(F) BSP Cap + 90° Barb	1
8	277-195	Tank Outlet/Bulkhead G1"(F) x G 1 1/4"(M)	1
9	277-268	Gasket 1 1/4"	1
10	277-266	Hose Tail	1
11	277-261	Elbow 90°	1
12	88-26	Ball Valve 1" BSP	1
13	277-197	Reducing Nipple G1"(M) x G 1 1/4"(M)	1
14	283064-1	Valve Plate	1

Water Hose Layout



BoM KT09795

Item No.	Part No.	Description	Quantity
	809201-1	Hose Layout and Fittings	
1	497-H24	Hose, 1 1/2" (Ø38) Bore	1
2	504-5	Hose Clip - Stainless Steel	2
3	277-170	Flynut G1 1/2"	3
4	277-183	Hosetail Straight Ø38	2
	277-171	'O' Ring	2
5	277-215	Tee G1 1/2" Male Equal	1
6	277-169	Hosetail Straight Ø25	1
	277-171	'O' Ring	1
7	6117	Hose, 1" (Ø25) Bore x 4.5m	1
8	504-4	Hose Clip - Stainless Steel	2
9	-	Water Filter - See Chapter 30	-

Low Water Level Warning Light Wiring


95WC. 033-5

BoM KT09795

Item No.	Part No.	Description	Quantity
	809486-1	Wiring Layout - 24v)	Comprising items 1 to 5:-
	809486-3	Wiring Layout - 12v)	
1	809487-1	Loom - Cab to Tank	1
2	809488-1	Loom - Base Unit	1
3	809489-1	Loom - Switch Panel/Pedestal	1
4	735-500	Indicator Base - 24v	1
	735-400	Indicator Base - 12v	1
5	735-603	Indicator Cover incorporating Tank Low/Full Decals	1

Note

Warning indicator (items 4 and 5) is mounted in any spare options position on the switch panel.

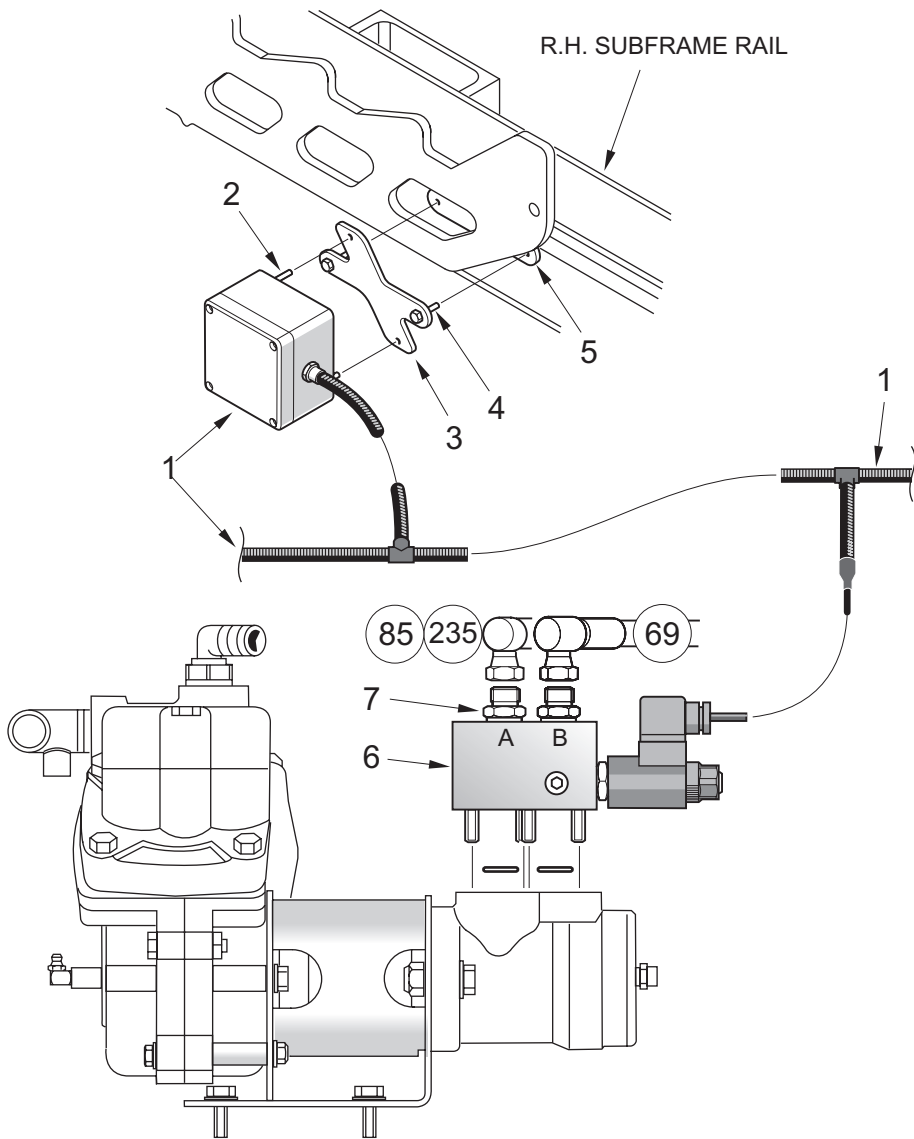
35.WS

Pump Low Water By-pass Valve

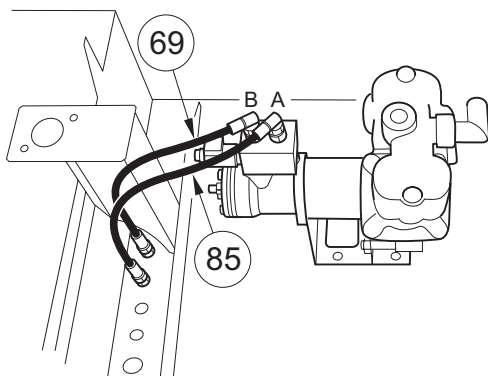
Table of Contents

Section	Page
Installation	
Pump By-pass Valve Installation	35.WS : 22

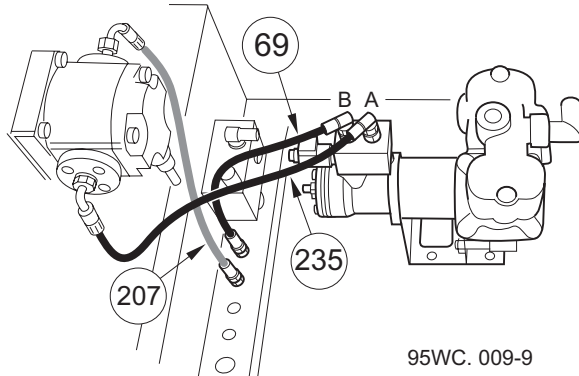
Pump By-pass Valve Installation



VT HYDRAULIC HOSE ROUTING



VS HYDRAULIC HOSE ROUTING



95WC. 009-9

Pump By-pass Valve Installation

BoM KT12795

Item No.	Part No.	Description	Quantity
	284064-1	Pump Low Water Shut Down drg. Showing items 1 to 5	
1	284065-12	Low Water Shut Down Loom 12v	1
	284065-24	Low Water Shut Down Loom 24v	1
2	134-40	Screw M4 x 8 Pan Hd. Pozidrive	2
	460-5	Washer - Spring M4	2
3	282057-1	Mounting Plate	1
4	124-41	Screw M4 x 25	2
	460-5	Washer - Spring M4	2
5	282056-1	Mounting Plate Clamp	1
6	241-299	By-pass Solenoid Valve Manifold - 12v	1
	241-300	By-pass Solenoid Valve Manifold - 24v	1
7	263-4	Adaptor 1/2"	2
	451-126	Copper Washer - Sealing 1/2"	2
† 69,85	-	Hydraulic Hoses - As standard pump installation in chapter 30	

Notes

† Hose item numbers correspond with those in hydraulic diagrams SH522z01, SH523z01 and SH534z01 in Chapter 8 of the Maintenance Section.

