

# 2250 HYDRAULIC

---

Model:  
2250 HYDRAULIC



Part List English

03-09-2012

# Table of Contents

2250 HYDRAULIC

<b>Perkins - Hydraulic -A-ramme Forchassis - E7000102</b>	<b>3</b>
<b>Perkins - Rear Chassis and joint - E70001021-02B</b>	<b>6</b>
<b>Perkins - Attachment A-Frame - E70001021-03A</b>	<b>8</b>
<b>Perkins - Wheelmotor and Brakes - E70001021-05A</b>	<b>11</b>
<b>Perkins - Steering Column - E70001021-06A</b>	<b>13</b>
<b>Perkins - Drive Pedal - E70001021-08A</b>	<b>16</b>
<b>Perkins - Hydraulic under frontchassis - E70001021</b>	<b>18</b>
<b>Perkins - Battery + Hose + Valves and Blocks - E70</b>	<b>21</b>
<b>Perkins - Basis engine and pipes - E70001021-19A</b>	<b>24</b>
<b>Perkins - Engine Hood - E70001021-20B</b>	<b>26</b>
<b>Perkins - Load Bracket - E70001021-22A</b>	<b>29</b>
<b>Perkins - Manoeuvre valve and weightoverpass valve</b>	<b>31</b>

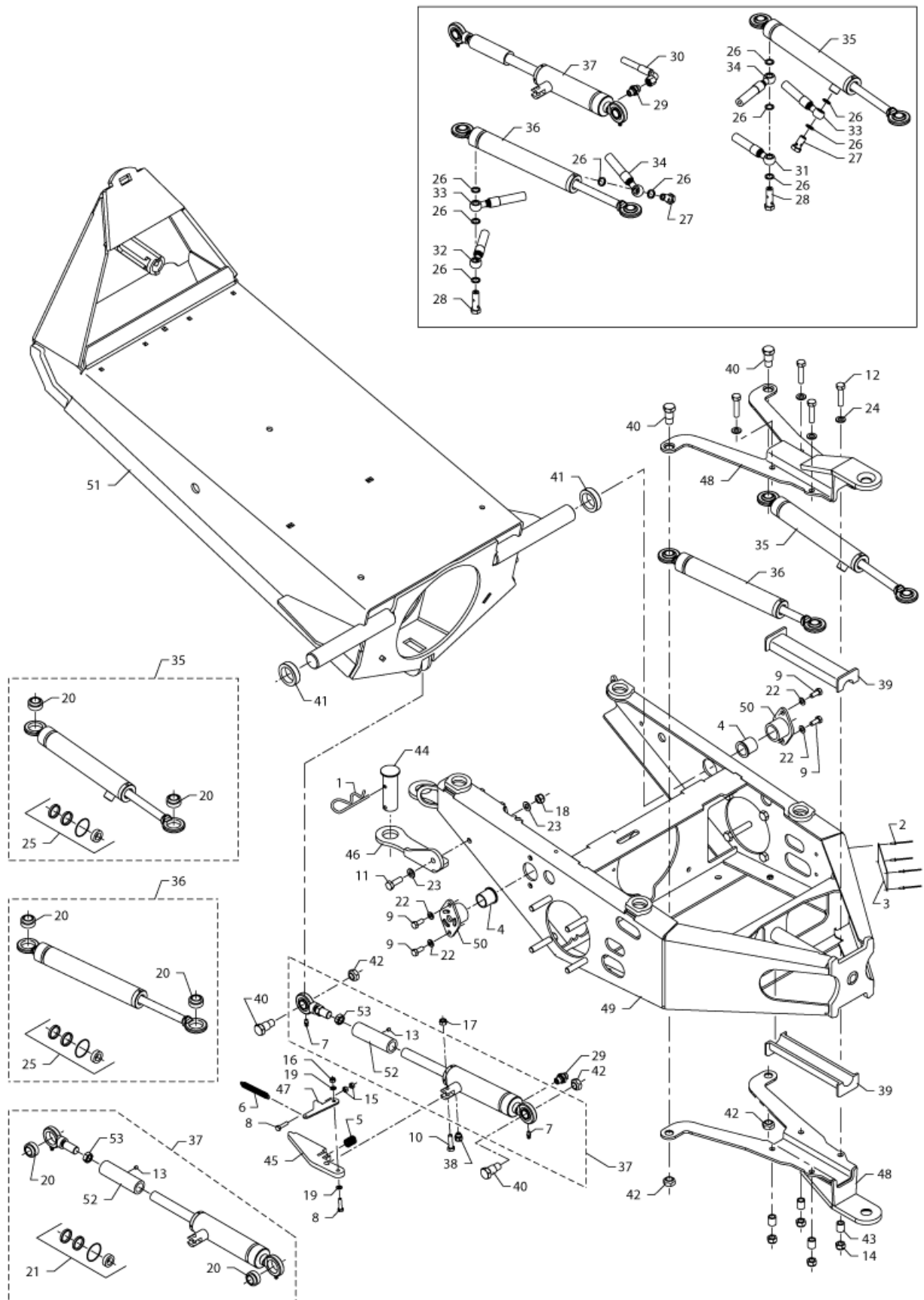
# Perkins - Hydraulic -A-ramme Forchassis - E7000

2250 HYDRAULIC

03-09-2012

Part List ID  
EGH2250PER1

3



06.03.2012

70001021-01A

# Perkins - Hydraulic -A-ramme Forchassis - E700

2250 HYDRAULIC

03-09-2012

Part List ID  
EGH2250PER1

4

Pos	Part no.	Qty	Description
1	E01904040	1	SPLIT-PIN
2	E02000010	10	RIVET
3	E03000460	1	MODEL PLATE 2250
4	E01704090	1	PLASTIC BEARING
5	E02203260	1	COMPRESSION SPRING
6	E02203280	1	TENSION SPRING
7	E02400020	1	OIL CUP
8	E03100100	10	STEEL BOLT
9	E03100140	10	STEEL BOLT
10	E03100160	1	STEEL BOLT
11	E03100220	10	STEEL BOLT
12	E03209030	10	STEEL BOLT
13	E03402020	1	ALLEN SCREW
14	E03803070	10	LOCK NUT
15	E03800030	10	STEEL NUT
16	E03803040	10	LOCK NUT
17	E03803060	1	LOCK NUT
18	E03804090	4	LOCK NUT
19	E03900030	10	DISC
20	E01702050	1	BEARING
21	E04509140	1	GASKET SET
22	E03900040	10	DISC
23	E03900060	10	DISC
24	E03900050	10	DISC
25	E04509080	1	GASKET SET
26	E03909070	10	COPPER DISC
27	E04109060	1	BANJO HYDRAULIC BOLT
28	E04109200	1	BANJO HYD. BOLT
29	E04120410	1	STRAIGHT SCREWING
30	E04420590	1	RAPID HYDRAULIC HOSE
31	E04420770	1	RAPID HYDRAULIC HOSE
32	E04420780	1	RAPID HYDRAULIC HOSE
33	E04420790	1	RAPID HYDRAULIC HOSE
34	E04420800	1	RAPID HYDRAULIC HOSE
35	E04502110	1	HYDRAULIC CYLINDER
36	E04502120	1	HYDRAULIC CYLINDER
37	E04502170	1	HYDRAULIC CYLINDER
38	E04601010	1	SILENCER
39	E09720010	2	RUBBER FOR TURN
40	E61000428	1	BOLT
41	E61000659	2	SPACER RING
42	E61000689	1	STEEL NUT
43	E61001299	4	SPAN BUSH

# Perkins - Hydraulic -A-ramme Forchassis - E700

2250 HYDRAULIC

03-09-2012

Part List ID  
EGH2250PER1

5

Pos	Part no.	Qty	Description
44	E61000849	1	TOWING JOURNAL
45	E61000859	1	TRANSPORT LOCK
46	E61100955	1	PULLEY EYE F. TOWING
47	E61101009	1	ADJUSTING PLATE
48	E61200020	1	PIVOT JOINT
49	E61200690	1	FRONT CHASSIS
50	E61200788	1	SUSPENSION A-FRAME
51	E61201035	1	A-FRAME
52	E61000869	1	HOSE TRANSPORT LOCK
53	E03809075	1	LOCK NUT
54	E04421830	1	RAPID HYDRAULIC HOSE

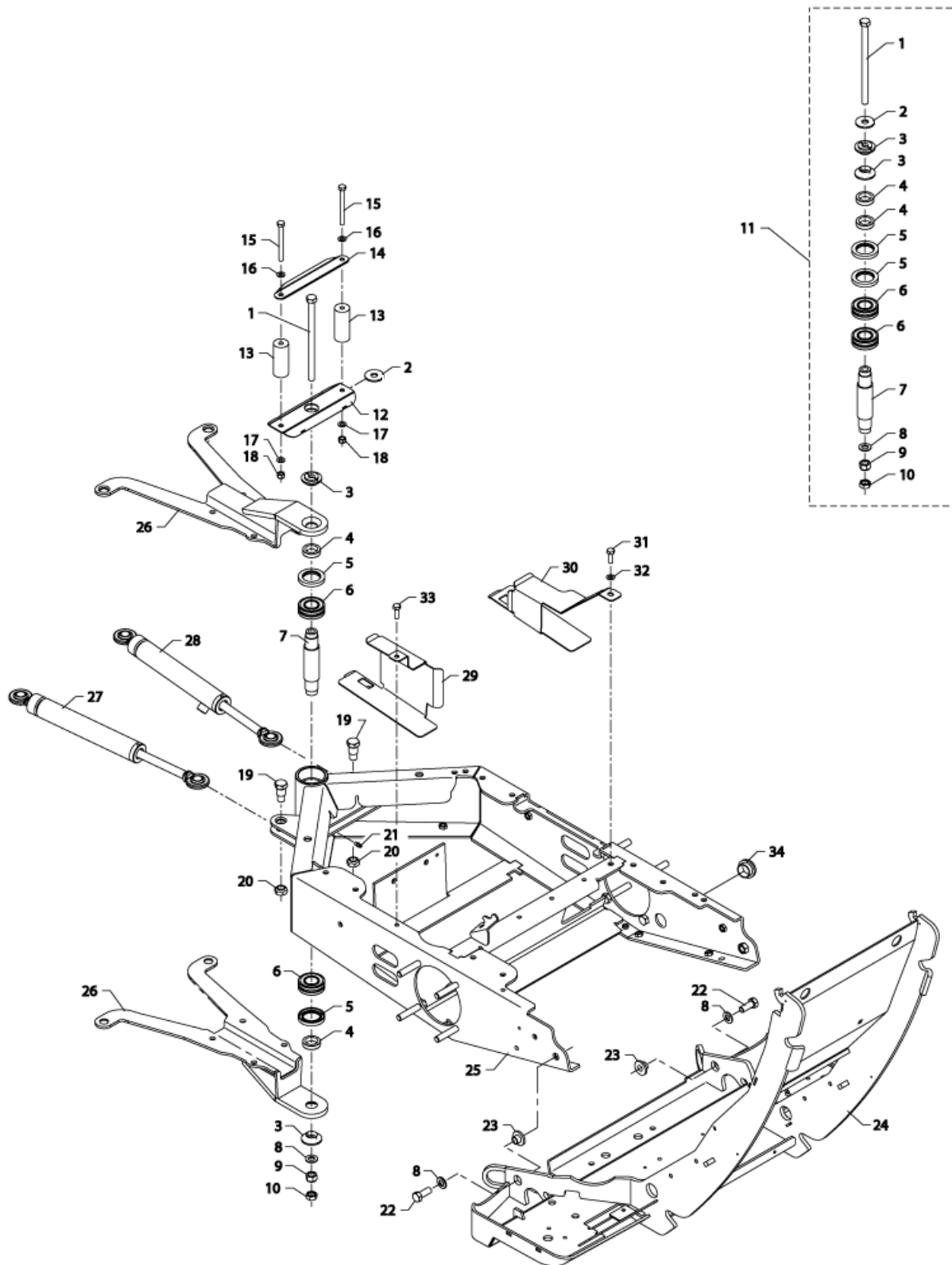
# Perkins - Rear Chassis and joint - E70001021-02

2250 HYDRAULIC

03-09-2012

Part List ID  
EGH2250PER2

6



21.06.2012/LOT

70001021-02B

# Perkins - Rear Chassis and joint - E70001021-0

2250 HYDRAULIC

03-09-2012

Part List ID  
EGH2250PER2

7

Pos	Part no.	Qty	Description
1	E03200640	1	STEEL BOLT
2	E03902040	10	SHIELD DISC
3	E61000669	2	DISC FOR TURNING JOI
4	E61000659	2	SPACER RING
5	E01801090	1	OIL O-RING
6	E01700110	2	BEARING HOUSE
7	E61000679	1	AXLE SHAFT
8	E03900060	10	DISC
9	E03803080	10	LOCK NUT
10	E03809070	10	LOCK NUT
11	E90501951	1	ARTICULATE SET
12	E41204100	1	HOSE PASSAGE BOTTOM
13	E09723250	2	NYLON ROLLER
14	E61102020	1	HOSE PASSAGE TOP
15	E03200610	10	STEEL BOLT
16	E03900040	10	DISC
17	E03900040	10	DISC
18	E03803060	10	LOCK NUT
19	E61000428	1	BOLT
20	E61000689	1	STEEL NUT
21	E02400020	10	OIL CUP
22	E03100280	10	STEEL BOLT
23	E61001650	2	ADJUSTING BUSH
25	E61203090	1	REAR CHASSIS 2250. PERKINS
26	E61200020	2	PIVOT JOINT
27	E04502120	1	HYDRAULIC CYLINDER
28	E04502110	1	HYDRAULIC CYLINDER
29	E41111020	1	HOSE HOLDER LEFT
30	E60101029	1	HOSE HOLDER RIGHT
31	E03100130	1	STEEL BOLT
32	E03900040	1	DISC
33	E03100100	1	STEEL BOLT
34	E02701035	1	STOPPER SR1530 Ø45 MM

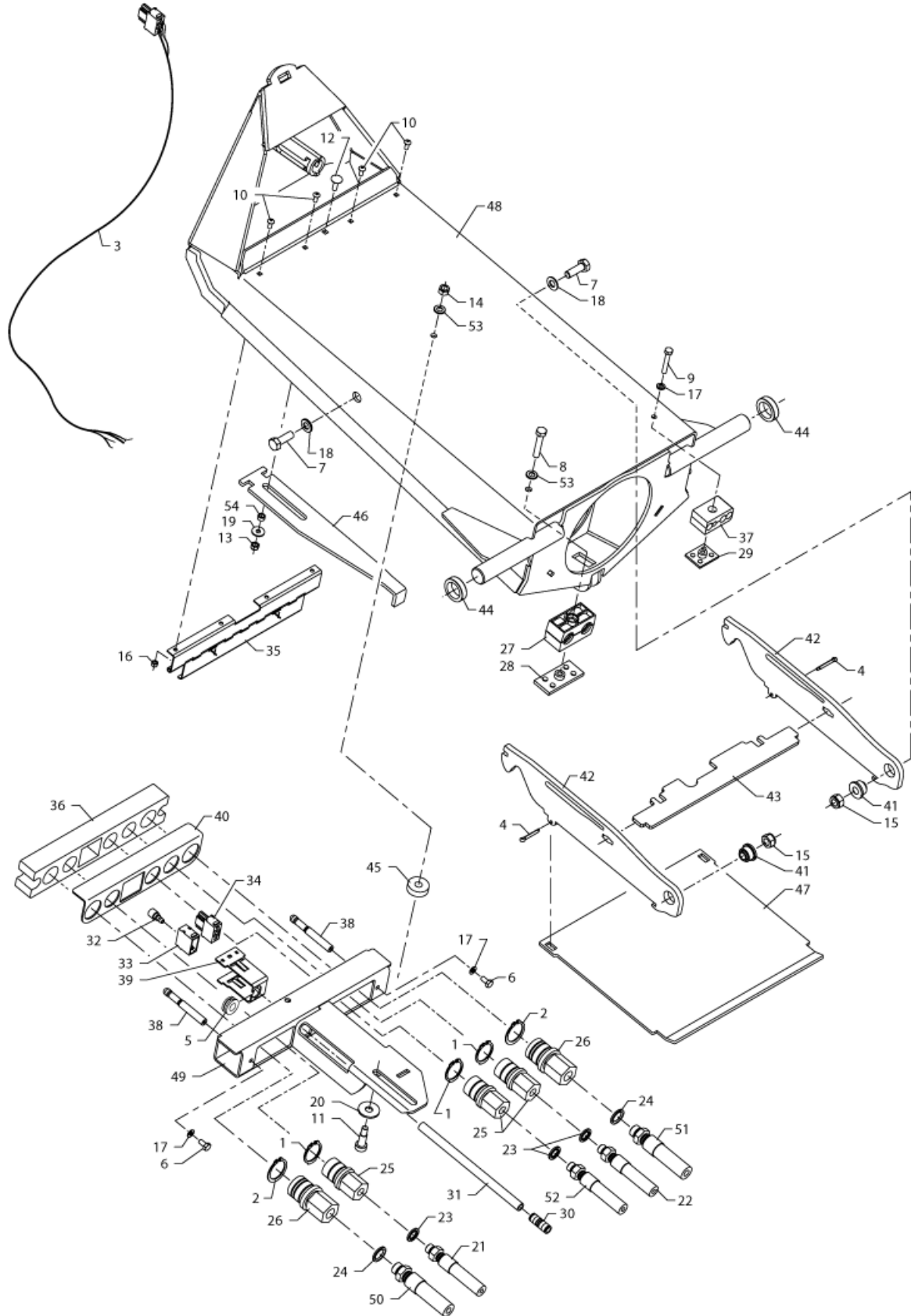
# Perkins - Attachment A-Frame - E70001021-03/

2250 HYDRAULIC

03-09-2012

Part List ID  
EGH2250PER3

8



06.03.2012

70001021-03A



# Perkins - Attachment A-Frame - E70001021-03

2250 HYDRAULIC

03-09-2012

Part List ID  
EGH2250PER3

9

Pos	Part no.	Qty	Description
1	E01901300	10	KUBOTA LOCKING PIN
2	E01901330	10	KUBOTA LOCKING PIN
3	E30000310	1	WIRING SNOW SWEEPER
4	E01902050	10	SPLIT PIN
5	E02704060	10	RUBBER PASSAGE
6	E03100070	10	STEEL BOLT
7	E03100220	10	STEEL BOLT
8	E03100390	10	STEEL BOLT
9	E03100140	0	STEEL BOLT
10	E03200730	10	SCREW
11	E03406040	10	BOLT
12	E03500020	10	CARRIAGE BOLT
13	E03803040	10	LOCK NUT
14	E03803060	10	LOCK NUT
15	E03803070	10	LOCK NUT
16	E03804050	10	LOCK NUT
17	E03900030	10	DISC
18	E03900040	10	DISC
19	E03902010	10	SHIELD DISC
20	E03902030	10	SHIELD DISC
21	E04421800	1	HYDRAULIC HOSE 1/4 1795 MM90G
22	E04420550	1	RAPID HYDRAULIC HOSE
23	E04500020	10	SEALING RING
24	E04500030	10	SEALING RING
25	E04501320	1	HYDRAULIC COUPLING
26	E04501330	1	HYDRAULIC COUPLING
27	E04503110	1	HYDR. PIPE CLAMP
28	E04503120	1	PLATE
29	E04503140	1	PLATE
30	E04601280	1	RAPID UNION
31	E04705060	1	COMPRESSED AIR HOSE
32	E05004340	1	WATERCOUPLING
33	E05004350	1	WINDOW AND HOSE CLIP
34	E05004370	1	SOCKET MALE
35	E09721670	1	FLAP
36	E09721970	1	SEAL TANK INDICATOR
37	E09723230	1	HOSE HOLDER
38	E09921580	2	GUIDE RAIL
39	E41103620	1	CLIPS
40	E41104750	1	COUPLING PLATE
41	E61000609	2	BUSH LOCKING HOOK
42	E61000619	2	LOCKING HOOK
43	E61000629	1	TAP F. CLUTCH HOLDER

# Perkins - Attachment A-Frame - E70001021-03

2250 HYDRAULIC

03-09-2012

Part List ID  
EGH2250PER3

10

Pos	Part no.	Qty	Description
44	E61000669	2	DISC FOR TURNING JOI
45	E61000729	1	GUIDE BLOCK
46	E61100659	1	CLUTCH BAR
47	E61100665	1	BOTTOM PLATE CABIN
48	E61201035	1	A-FRAME
49	E61201099	1	CLUTCH HOLDER
50	E04423000	1	RAPID HYDRAULIC HOSE 1/2 1815MM 225 BAR
51	E04423010	1	RAPID HYDRAULIC HOSE 1/2 1830MM 225 BAR
52	E04422080	1	RETURN HOSE

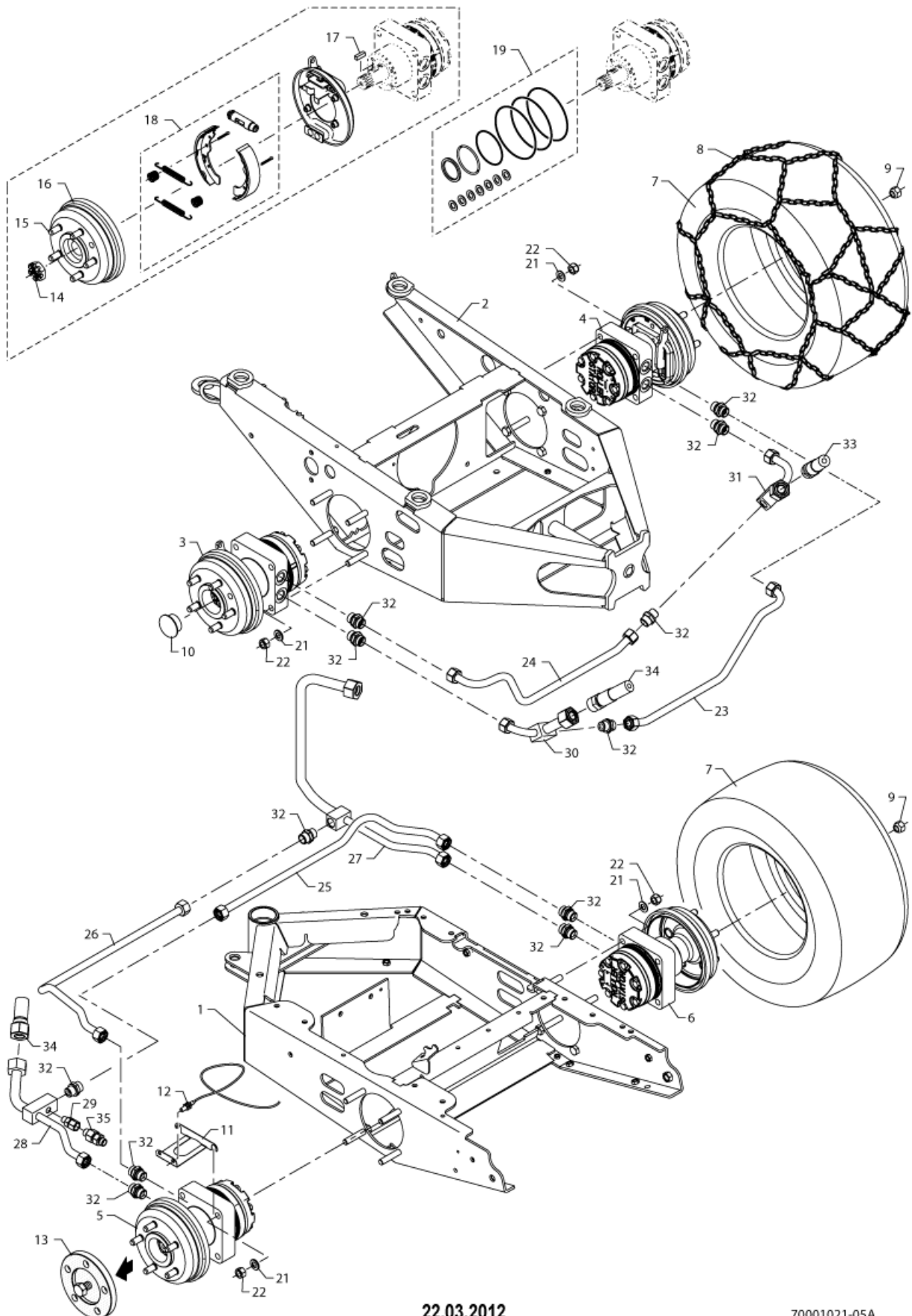
# Perkins - Wheelmotor and Brakes - E70001021-0

2250 HYDRAULIC

03-09-2012

Part List ID  
EGH2250PER5

11



22.03.2012

70001021-05A

# Perkins - Wheelmotor and Brakes - E70001021-(

## 2250 HYDRAULIC

03-09-2012

Part List ID  
EGH2250PERK5

12

Pos	Part no.	Qty	Description
1	E61203090	1	REAR CHASSIS 2250. PERKINS
3	E04001760	1	WHEEL MOTOR W BRAKE
4	E04001770	1	WHEEL MOTOR W BRAKE
5	E04001780	1	WHEEL MOTOR
6	E04001790	1	WHEEL MOTOR
8	E01100400	1	Snow chains (2 pcs.)
9	E03809530	5	STEEL NUT
10	E02701380	1	PLASTIC COVER ROUND
11	E41102250	1	FITTINGS FOR SENSOR
12	E90501781	1	REVOLUTION INDICATOR
13	E90501662	1	PULLER F. DRUM BRAKE
14	E04009540	1	STEEL NUT
15	E04009530	1	WHEEL STUD
16	E04009520	1	BRAKE DRUM
17	E04009570	1	PARALLEL KEY
18	E04009510	1	BRAKE SHOE SET
19	E04009480	1	GASKET SET
21	E03900060	10	DISC
22	E03803080	10	LOCK NUT
23	E09725229	1	HYDRAULIC PIPE RIGHT A-PORT
24	E09725209	1	HYDRAULIC PIPE B-PORT
25	E09725169	1	HYDRAULIC PIPE B-PORT
26	E09725139	1	HYDRAULIC PIPE A-PORT
27	E41203930	1	HYDRAULIC BLOCK A-PORT
28	E41203950	1	HYDRAULIC BLOCK B-PORT
29	E04120560	1	STRAIGHT SCREWING 1/4 UDV.TIL AL10
30	E41203910	1	HYDRAULIC BLOCK A-PORT
31	E41203900	1	HYDRAULIC BLOCK B-PORT
32	E04120170	1	STRAIGHT SCREWING
33	E04422860	1	RAPID HYDRAULIC HOSE 5/8X880MM-250BAR
34	E04422540	1	HYDRAULIC HOSE 5/8X895MM-250
35	E04804090	1	NON-RETURN VALVE

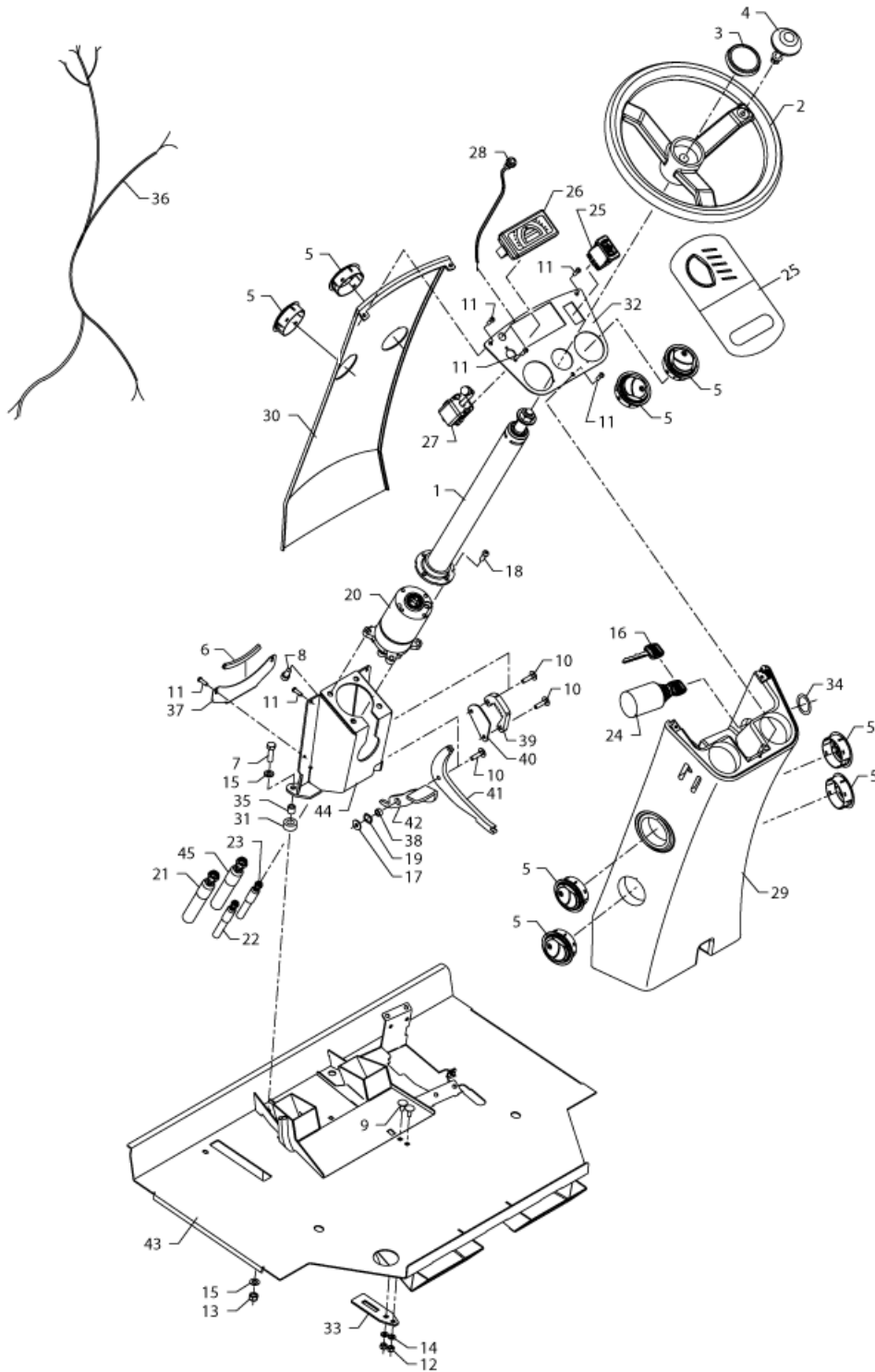
# Perkins - Steering Column - E70001021-06A

2250 HYDRAULIC

03-09-2012

Part List ID  
EGH2250PER6

13



07.03.2012

70001021-06A

# Perkins - Steering Column - E70001021-06A

2250 HYDRAULIC

03-09-2012

Part List ID  
EGH2250PER6

14

Pos	Part no.	Qty	Description
1	E01101070	1	STEERING COLUMN
2	E01101080	1	STEERING WHEEL
3	E01109560	1	COVER COMBO FILTER
4	E01109600	1	STEERING WHEEL KNOB
5	E01110000	1	AIR NOZZLE
6	E01201210	1	EDGING BEADING
7	E03100160	10	STEEL BOLT
8	E03404110	0	ALLEN SCREW
9	E03500010	10	CARRIAGE BOLT
10	E03500030	10	CARRIAGE BOLT
11	E03600090	10	SCREW
12	E03803040	10	LOCK NUT
13	E03803060	10	LOCK NUT
14	E03900030	10	DISC
15	E03900040	10	DISC
16	E05006165	1	KEY FOR MAIN SWITCH
17	E03902010	10	SHIELD DISC
18	E03404030	10	ALLEN SCREW
19	E03906090	1	WAVE SPRING
20	E04002220	1	ORBITROL
21	E04423030	1	RAPID HYDRAULIC HOSE 3/8 1195MM 210 BAR
22	E04420770	1	RAPID HYDRAULIC HOSE
23	E04420780	1	RAPID HYDRAULIC HOSE
24	E05006160	1	IGNITION SWITCH
25	E05009640	1	SWITCH
26	E05010140	1	INSTRUMENT PANEL
27	E05009890	1	SWITCH TURN SIGNAL
28	E05009950	1	SWITCH
29	E09720040	1	COVER
30	E09720190	1	COVER
31	E09721680	1	RUBBER COVER
32	E09822150	1	INSTRUMENT PANEL
33	E09824770	1	SPRING
34	E09825800	1	DISC
35	E09922010	1	BUSH
36	E30000260	1	WIRING SNOW SWEEPER
37	E41105050	1	WINDOW AND HOSE CLIP
38	E61000228	1	SPACER PIPE
39	E61000448	1	TOOTH RING
40	E61000458	1	PLATE
41	E61001059	1	LOCK ARM
42	E61101129	1	PEDAL
43	E61200515	1	BOTTOM PLATE CABIN

# Perkins - Steering Column - E70001021-06A

2250 HYDRAULIC

03-09-2012

Part List ID  
EGH2250PER6

15

Pos	Part no.	Qty	Description
44	E61200735	1	STEERING COLUMN
45	E04422070	1	RETURN HOSE

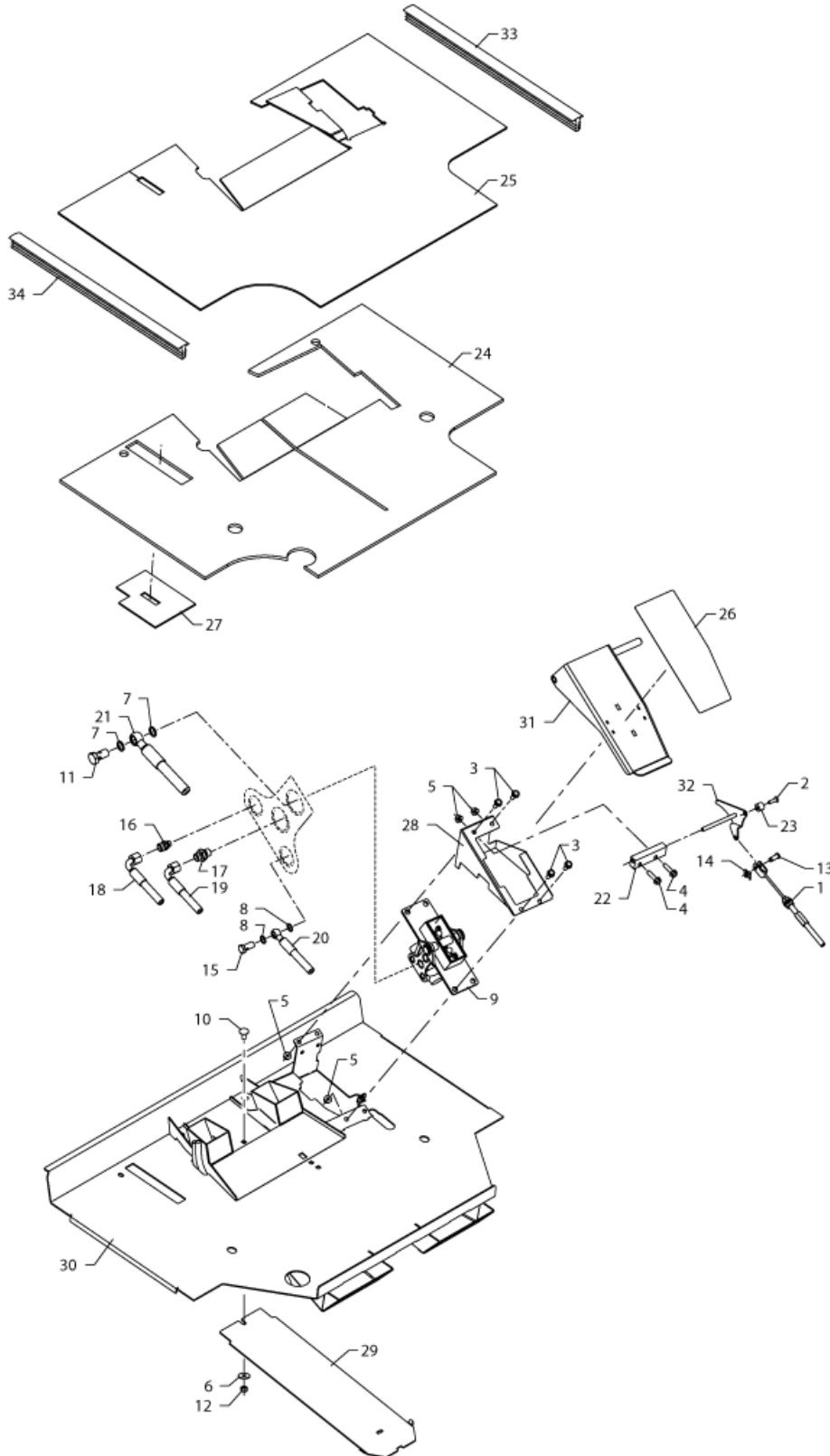
# Perkins - Drive Pedal - E70001021-08A

2250 HYDRAULIC

03-09-2012

Part List ID  
EGH2250PER8

16



07.03.2012

70001021-08A



# Perkins - Drive Pedal - E70001021-08A

2250 HYDRAULIC

03-09-2012

Part List ID  
EGH2250PER8

17

Pos	Part no.	Qty	Description
1	E01200060	1	THROTTLE CABLE
2	E02600030	10	HOSE CLIP
3	E03702050	10	SCREW
4	E03702180	10	SCREW
5	E03809120	10	FLANGE NUT F
6	E03902010	10	SHIELD DISC
7	E03909070	10	COPPER DISC
8	E03909190	10	COPPER DISC
9	E04001420	1	VALVE FOR FOOT PEDAL
10	E03500010	10	CARRIAGE BOLT
11	E04109060	1	BANJO HYDRAULIC BOLT
12	E03804010	10	LOCK NUT
13	E02109030	10	BOLT
14	E02109040	10	SAFE DISC
15	E04109230	1	BANJO HYDRAULIC BOLT
16	E04120030	1	STRAIGHT SCREWING
17	E04120040	1	STRAIGHT SCREWING
18	E04422640	1	HYDRAULIC HOSE 1/4X1910 MM-120B
19	E04422630	1	HYDRAULIC HOSE 1/4 X1865 MM -120B
20	E04422650	1	HYDRAULIC HOSE 1/4X1860 MM-120B
21	E04422040	1	RETURN HOSE
22	E09722310	1	BLOCK
23	E01700190	1	BEARING HOUSE 624-2RS 4/13X5
24	E09722390	1	FOIL CABIN BOTTOM
25	E09722400	1	MAT CABIN
26	E09722580	1	SAFETY WALK
27	E09723370	1	PIPE COVER F. HEATER
28	E41201560	1	COVER F. DRIVE PEDAL
29	E61000495	1	COVER PLATE
30	E61200515	1	BOTTOM PLATE CABIN
31	E61201185	1	DRIVE PEDAL
32	E61201199	1	THROTTLE HANDLE
33	E09723130	1	RUBBER STRIP
34	E09723140	1	LEFT RUBBER SEAL

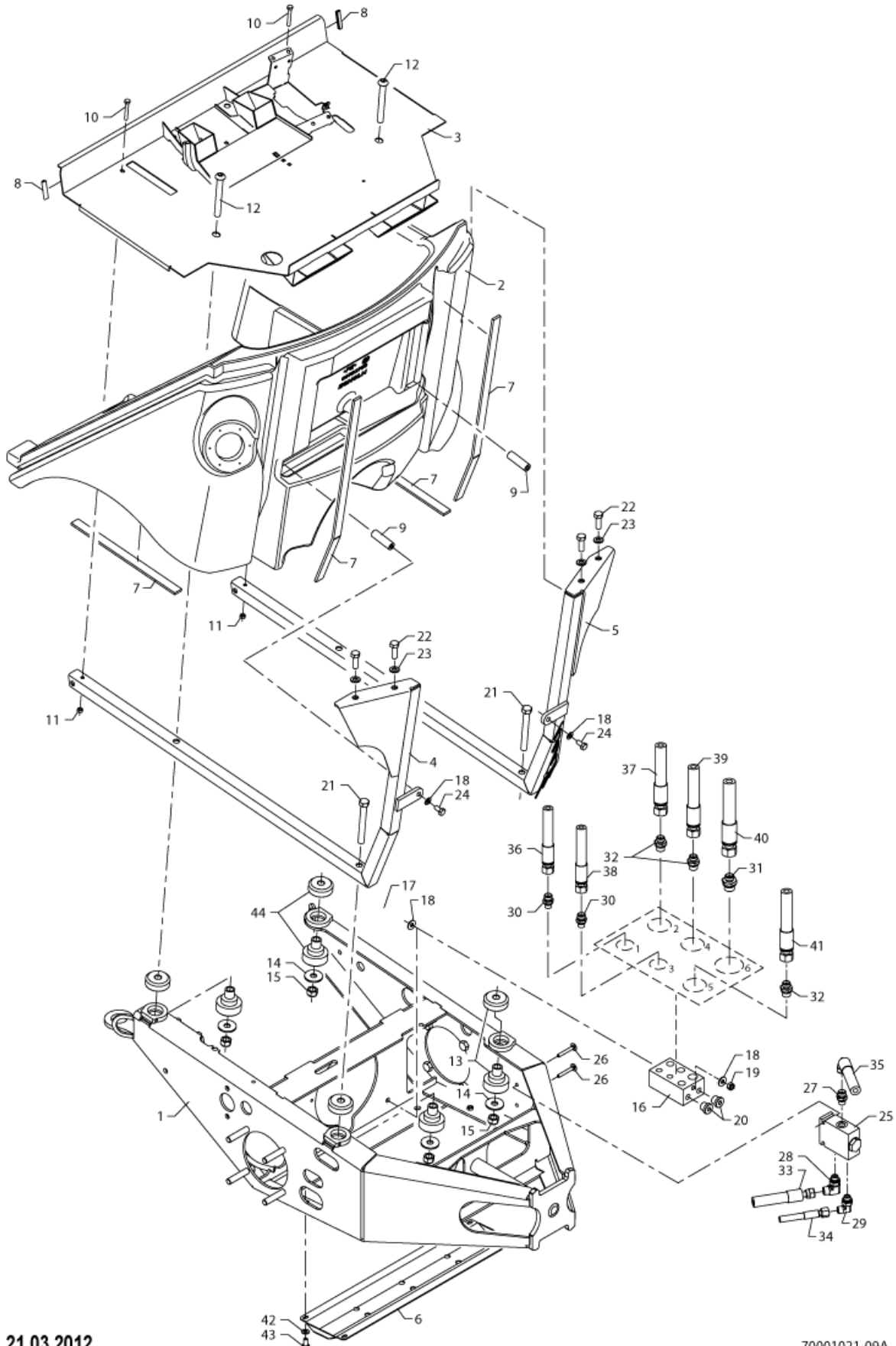
# Perkins - Hydraulic under frontchassis - E70001C

2250 HYDRAULIC

03-09-2012

Part List ID  
EGH2250PER9

18



21.03.2012

70001021-09A

# Perkins - Hydraulic under frontchassis - E70001

2250 HYDRAULIC

03-09-2012

Part List ID  
EGH2250PER9

19

Pos	Part no.	Qty	Description
1	E61200690	1	FRONT CHASSIS
2	E09723750	1	FUEL TANK
3	E61200515	1	BOTTOM PLATE CABIN
4	E61200465	1	SIDE MEMBER LEFT
5	E61200475	1	SIDE MEMBER RIGHT
6	E41110920	1	COVER PLATE
7	E01202260	2	RUBBER FOR FUEL TANK
8	E01202240	2	EDGING BEADING
9	E61000528	2	SPACER
10	E03200080	10	STEEL BOLT
11	E03800030	10	STEEL NUT
12	E03200710	10	SCREW
13	E09720530	2	RUBBER SUSPENSION WILBRANDT 048X050
14	E03902040	10	SHIELD DISC
15	E03803080	10	LOCK NUT
16	E09923000	1	BLOCK RETURN HYD.
17	E03200850	1	STEEL BOLT
18	E03900040	10	DISC
19	E03803060	1	LOCK NUT
20	E04103010	1	HYDR. PLUG
21	E03200390	10	STEEL BOLT
22	E03100220	10	STEEL BOLT
23	E03900050	10	DISC
24	E03100130	10	STEEL BOLT
25	E04001520	1	FLOW DIVIDER
26	E03500210	10	CARRIAGE BOLT
27	E04120080	1	STRAIGHT SCREWING
28	E04130520	1	ANGLED SCREWING
29	E04130510	1	ANGLED SCREWING
30	E04120040	1	STRAIGHT SCREWING
31	E04120170	1	STRAIGHT SCREWING
32	E04120120	1	STRAIGHT SCREWING
33	E04423030	1	RAPID HYDRAULIC HOSE 3/8 1195MM 210 BAR
34	E04423020	1	RAPID HYDRAULIC HOSE 1/4 1170MM 210 BAR
35	E04422770	1	HYDRAULIC HOSE 3/8X860MM-210BAR
36	E04422080	1	RETURN HOSE
37	E04422070	1	RETURN HOSE
38	E04422040	1	RETURN HOSE
39	E04422060	1	RETURN HOSE
40	E04422750	1	HYDRAULIC HOSE 1/2X1340MM-20BAR
41	E04422740	1	HYDRAULIC HOSE 3/8X1380MM20 BAR
42	E03900030	4	DISC
43	E03100080	4	STEEL BOLT

# Perkins - Hydraulic under frontchassis - E70001

2250 HYDRAULIC

03-09-2012

Part List ID  
EGH2250PER9

20

Pos	Part no.	Qty	Description
44	E09720540	2	RUBBER SUSPENSION WILBRANDT 048X050

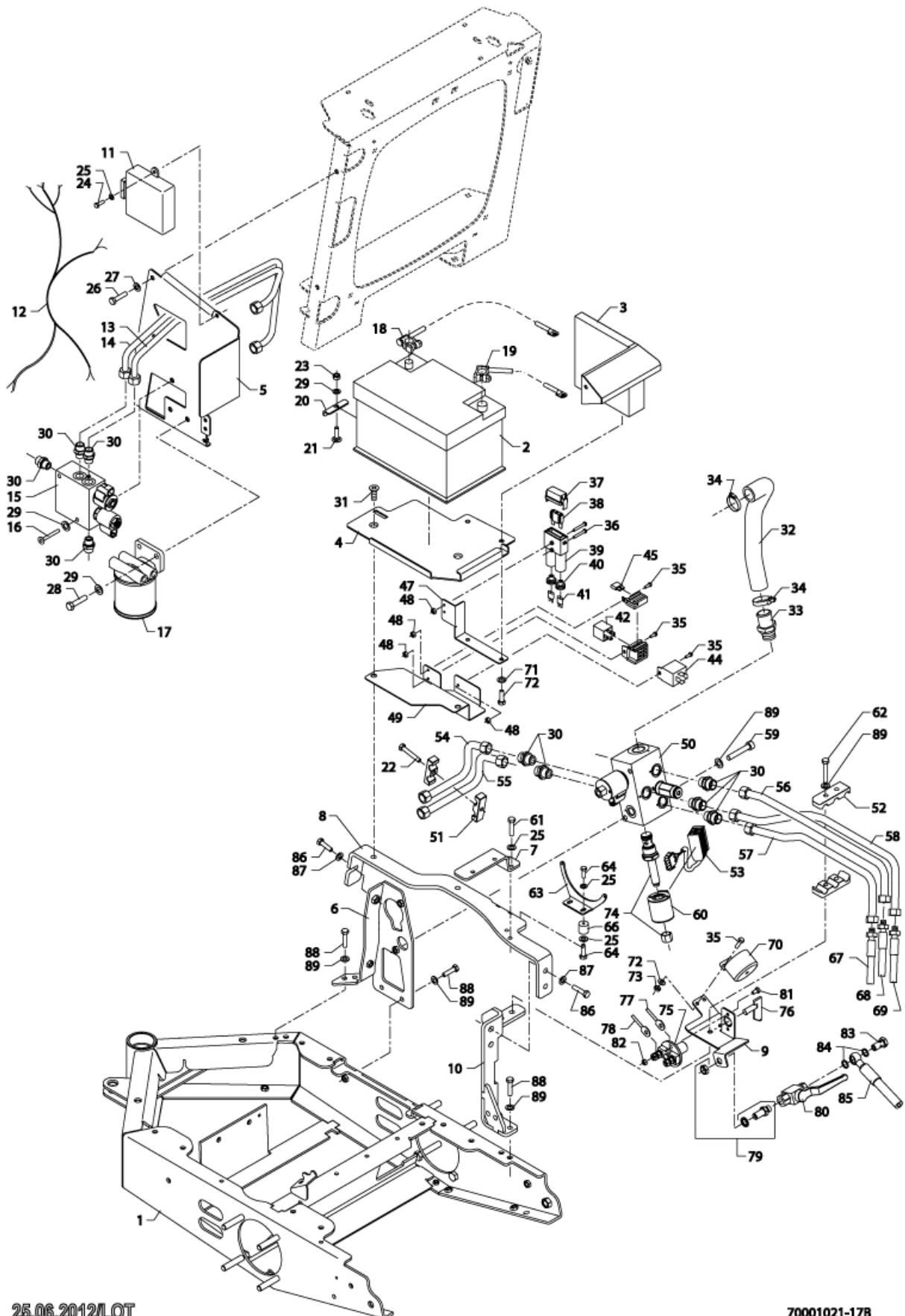
# Perkins - Battery + Hose + Valves and Blocks - E

2250 HYDRAULIC

03-09-2012

Part List ID  
EGH2250PER17

21



25.06.2012/LOT

70001021-178

# Perkins - Battery + Hose + Valves and Blocks -

2250 HYDRAULIC

03-09-2012

Part List ID  
EGHZ250PER17

22

Pos	Part no.	Qty	Description
34	E02600060	2	HOSE CLIP
35	E03200730	1	SCREW
36	E03300040	2	MACHINE SCREW
37	E05006130	1	COVER COMBO FILTER
38	E05006100	1	BLADE FUSE
39	E05006110	1	FUSE SOCKET
40	E05006120	2	GASKET
41	E05209170	2	CABLE SHOE
42	E05004450	1	RELAY
44	E05004480	1	RELAY
45	E05006020	1	BLADE FUSE
48	E03809110	4	FLANGE NUT F
49	E41111300	1	RELAY PLATE
50	E04001860	1	MANIFOLD FRONT BRUSH
51	E09923890	1	PIPE CLAMP 2
52	E09923880	1	PIPE CLAMP 3
54	E09725189	1	HYDRAULIC PIPE PTO B-PORT
55	E09725199	1	HYDRAULIC PIPE PTO A-PORT
56	E09725159	1	HYDRAULIC PIPE D-PORT
57	E09725149	1	HYDRAULIC PIPE P-PORT
58	E09725179	1	HYDRAULIC PIPE C-PORT
59	E03200530	1	STEEL BOLT FZB 8 - 100 MM
60	E04013360	1	FIELD COIL
61	E03100090	1	STEEL BOLT
62	E03200150	1	STEEL BOLT
63	E41110550	1	PLATE
64	E03100060	1	STEEL BOLT
66	E02502010	1	VIBRATION ABSORBER
67	E04422690	1	HYDRAULIC HOSE 1/2X400MM-225BAR
68	E04422710	1	HYDRAULIC HOSE 1/2X700MM-225BAR
69	E04422700	1	HYDRAULIC HOSE 1/2X730MM-225BAR
70	E05008200	1	REVERSING ALARM
71	E03902010	1	SHIELD DISC
72	E03100080	1	STEEL BOLT
74	E04013010	1	SOLENOID VALVE
75	E05002070	1	BATTERY MAIN SWITCH
76	E05009250	1	KEY FOR MAIN SWITCH
77	E05005180	1	BATTERY WIRE POS
78	E05005140	1	BATTERY WIRE POS
79	E04104010	1	HYDR. PASSAGE
80	E04004020	1	BALL VALVE
81	E03702060	1	SCREW
82	E03809120	1	FLANGE NUT F

# Perkins - Battery + Hose + Valves and Blocks -

2250 HYDRAULIC

03-09-2012

Part List ID  
EGHZ250PER17

23

Pos	Part no.	Qty	Description
83	E04109060	1	BANJO HYDRAULIC BOLT
84	E03909070	1	COPPER DISC
85	E04422600	1	HYDRAULIC HOSE 1/4X580MM-250BAR
86	E03100210	1	STEEL BOLT
87	E03900050	1	DISC
88	E03100140	1	STEEL BOLT
89	E03900040	1	DISC

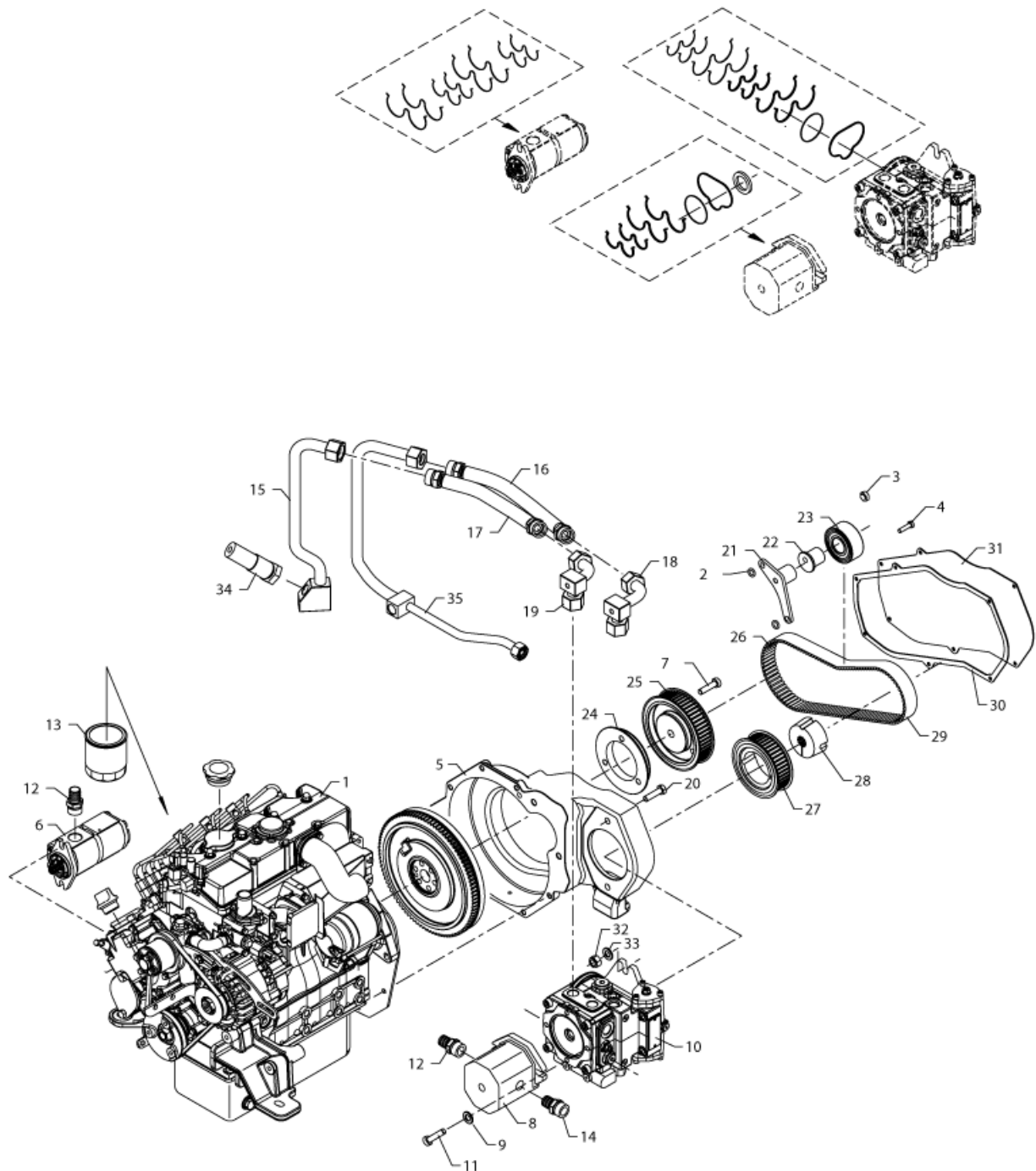
# Perkins - Basis engine and pipes - E70001021-19

2250 HYDRAULIC

03-09-2012

Part List ID  
EGH2250PER19

24



01.05.2012

70001021-19A



# Perkins - Basis engine and pipes - E70001021-1

## 2250 HYDRAULIC

03-09-2012

Part List ID  
EGHZ250PER19

25

Pos	Part no.	Qty	Description
1	E01000120	1	ENGINE PERKINS 404D-15
2	E03900050	2	DISC
3	E03800060	1	STEEL NUT
4	E03400170	1	ALLEN SCREW
5	E09725340	1	FLYWHEEL HOUSING PERKINS 2250
6	E04001830	1	AXIAL PUMP TWIN 6.08+6.08 CCM
7	E03404070	3	ALLEN SCREW 10 - 45 MM DIN912
8	E04001820	1	AXIAL PUMP 11 CCM
9	E03900050	2	DISC
11	E03400160	2	ALLEN SCREW
12	E04800190	1	HOSE COUPLING
13	E01020020	1	OIL FILTER
14	E04120170	1	STRAIGHT SCREWING
15	E41203940	1	HYDR. PIPE 3
16	E04422560	1	HYDRAULIC HOSE 5/8X365MM-250BAR
17	E04422570	1	HYDRAULIC HOSE 5/8X315MM-250BAR
18	E41203970	1	HYDRAULIC BLOCK A-PORT
19	E41203960	1	HYDRAULIC BLOCK
20	E03100240	2	STEEL BOLT
21	E41204110	1	PLATE
22	E09924240	1	RING
23	E01702190	1	BEARING HOUSE SKF. 3306 A-2RS1TN9
24	E61001479	1	RING
25	E41002040	1	TOOTHED PULLEY
26	E01604320	1	TOOTH BELT HTD 920 8M 30 HSN
27	E01605040	1	TIME BELT DISC 8M 44 30 TL 2012
28	E41002050	1	WHEEL BUSH
30	E09725690	1	SEAL TANK INDICATOR
31	E09830400	1	PIPE COVER F. HEATER
32	E03803080	1	LOCK NUT
33	E03900060	1	DISC
34	E04422540	1	HYDRAULIC HOSE 5/8X895MM-250
35	E41203930	1	HYDRAULIC BLOCK A-PORT

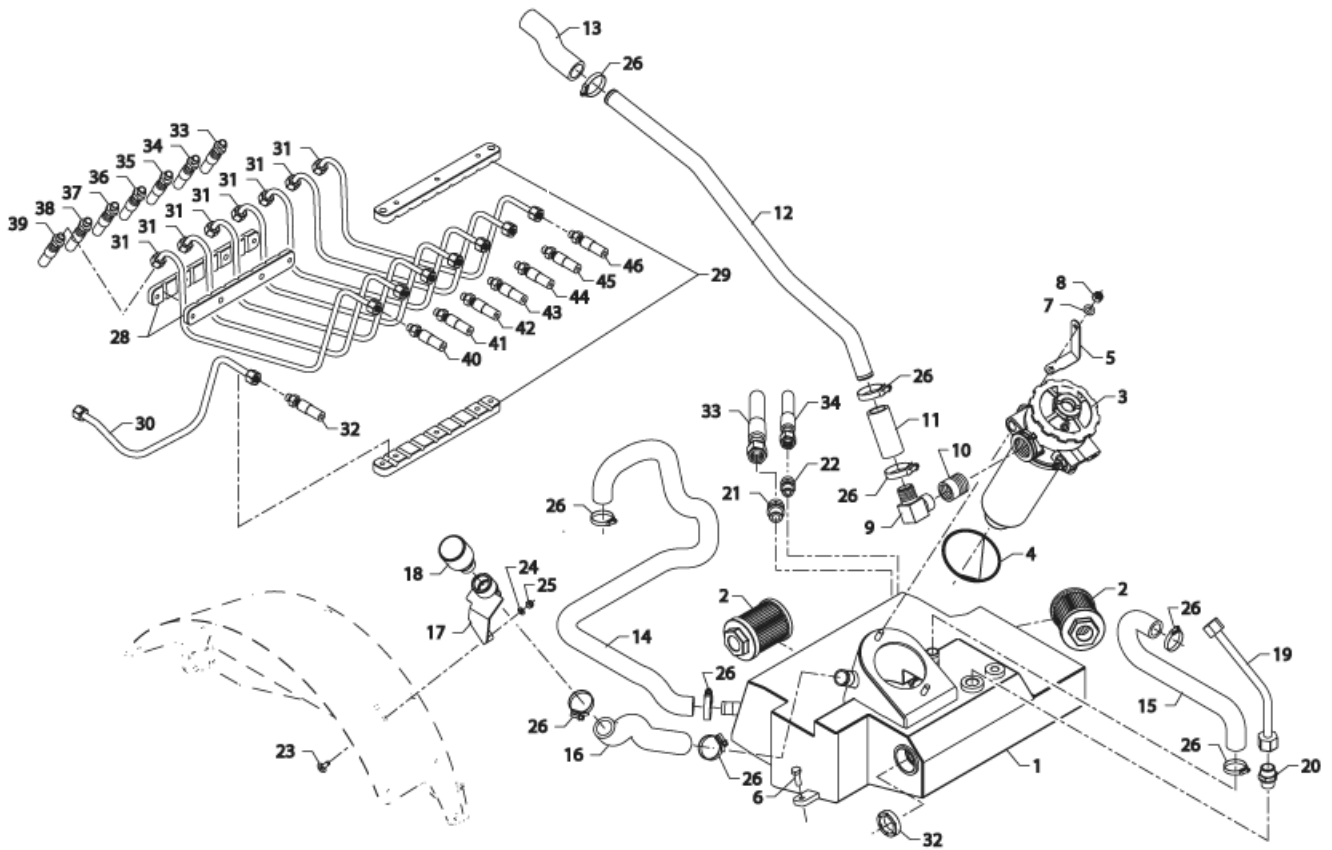
# Perkins - Engine Hood - E70001021-20B

2250 HYDRAULIC

03-09-2012

Part List ID  
EGH2250PER20

26



# Perkins - Engine Hood - E70001021-20B

2250 HYDRAULIC

03-09-2012

Part List ID  
EGHZ250PER20

27

Pos	Part no.	Qty	Description
1	E61203140	1	HYDRAULIC TANK
2	E04003310	2	SUCTION FILTER 3/4 - INDV. 90 MIC
3	E04001430	1	COMBO FILTER LINER
4	E01800680	1	O-RING
5	E41111220	1	PLATE
6	E03100130	1	STEEL BOLT
7	E03900040	1	DISC
8	E03803060	1	LOCK NUT
10	E04601255	1	REDUCTION
11	E09725400	1	OIL HOSE
12	E09725410	1	RAPID HYDRAULIC HOSE
13	E09725390	1	OIL HOSE
14	E09725370	1	OIL HOSE
15	E09725420	1	RAPID HYDRAULIC HOSE
16	E09725440	1	FILLING UP COOLANT
17	E41204040	1	FILLING UP COOLANT
18	E04003260	1	BREATHING FILTER
19	E09725450	1	RETURN PIPE
20	E04120130	1	STRAIGHT SCREWING
21	E04120170	1	STRAIGHT SCREWING
22	E04120120	1	STRAIGHT SCREWING
23	E03500005	1	CARRIAGE BOLT FZB 6 - 12 MM
24	E03900030	1	DISC
25	E03803040	1	LOCK NUT
26	E02600060	7	HOSE CLIP
28	E09923850	2	PIPE CLAMP
29	E09923860	2	PIPE CLAMP
30	E09725309	1	HYDRAULIC PIPE
31	E09725319	1	HYDRAULIC PIPE
32	E04509010	1	OBSERVATION WINDOW
33	E04422820	1	HYDRAULIC HOSE 1/4X1445MM-210BAR
34	E04422800	1	HYDRAULIC HOSE 1/4X1695MM-210BAR
35	E04422780	1	HYDRAULIC HOSE 1/4X1465MM-210BAR
36	E04422840	1	HYDRAULIC HOSE 1/4X1785MM-210BAR
37	E04422640	1	HYDRAULIC HOSE 1/4X1910 MM-120B
38	E04422650	1	HYDRAULIC HOSE 1/4X1860 MM-120B
39	E04422630	1	HYDRAULIC HOSE 1/4 X1865 MM -120B
40	E04422660	1	HYDRAULIC HOSE 1/4X215 MM-120 B
41	E04422680	1	HYDRAULIC HOSE 1/4X260 MM-120BA
42	E04422670	1	HYDRAULIC HOSE 1/4X260 MM-120BA
43	E04422850	1	RAPID HYDRAULIC HOSE 1/4X1095MM-210BAR
44	E04422790	1	HYDRAULIC HOSE 1/4X1080MM-210BAR
45	E04422810	1	HYDRAULIC HOSE 1/4X1055MM-210BAR

# Perkins - Engine Hood - E70001021-20B

2250 HYDRAULIC

03-09-2012

Part List ID  
EGHZ250PER20

28

Pos	Part no.	Qty	Description
46	E04422830	1	HYDRAULIC HOSE 1/4X1045MM-210BAR

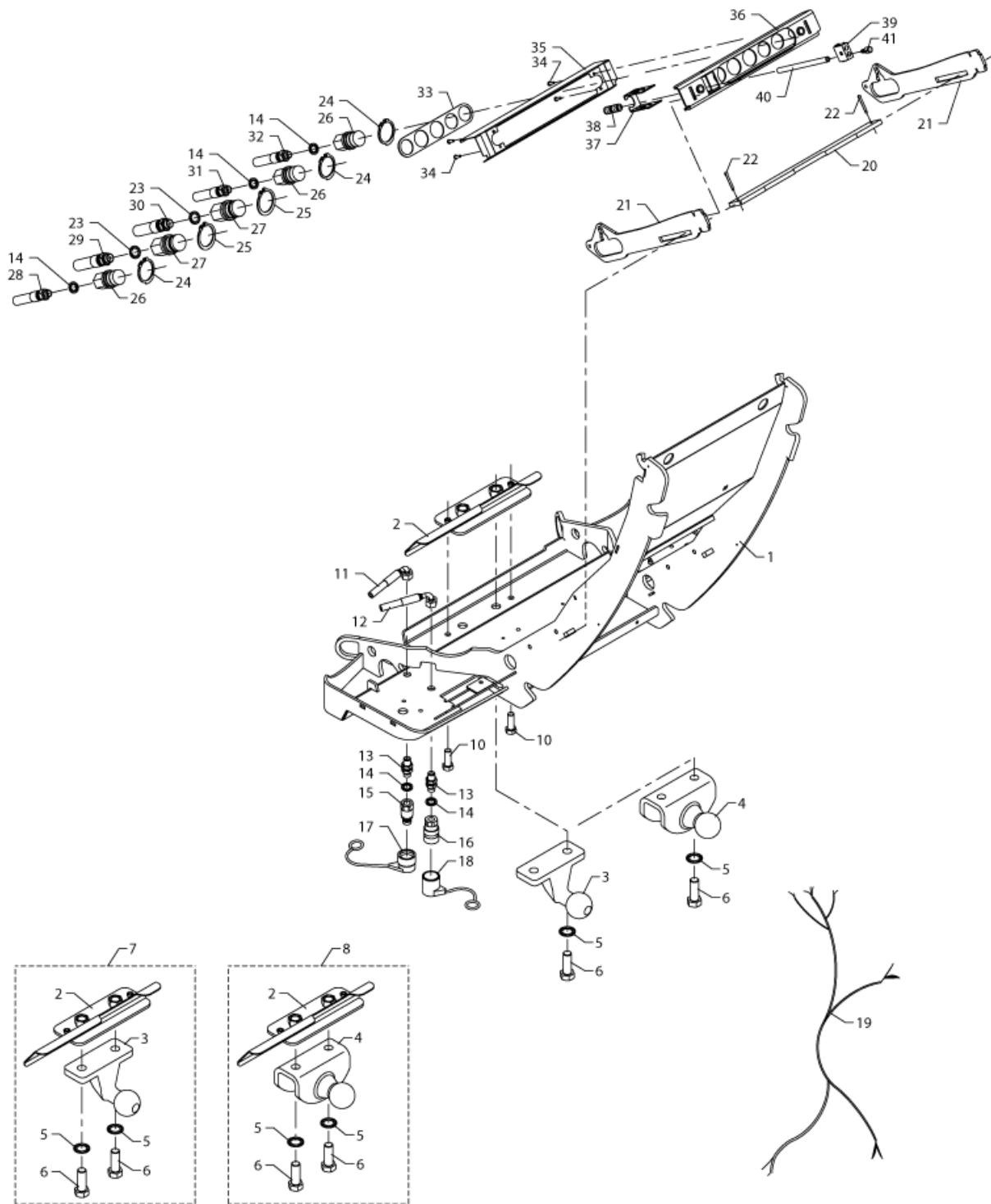
# Perkins - Load Bracket - E70001021-22A

2250 HYDRAULIC

03-09-2012

Part List ID  
EGH2250PER22

29



20.03.2012

70001021-22A

# Perkins - Load Bracket - E70001021-22A

2250 HYDRAULIC

03-09-2012

Part List ID  
EGHZ250PERZZ

30

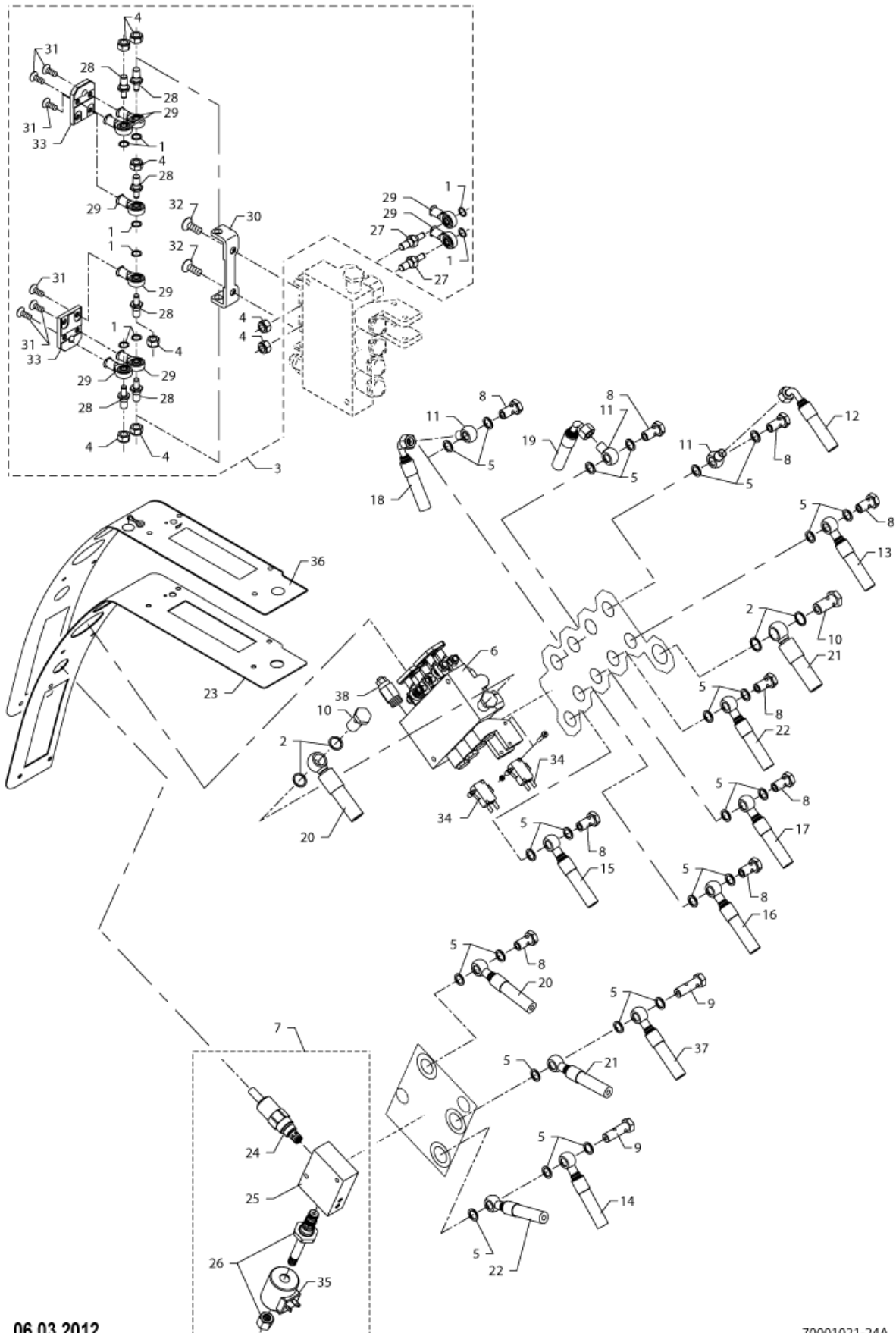
Pos	Part no.	Qty	Description
2	E41203800	1	PROTECTIVE PLATE
3	E01109280	1	TENSION BALL
4	E01109270	1	TENSION BALL
5	E03900080	10	DISC
6	E03100370	10	STEEL BOLT
7	E70201111	1	TENSION BALL
8	E70201101	1	COUPLING
10	E03200790	2	BUTTON HEAD M8X16
11	E04422790	1	HYDRAULIC HOSE 1/4X1080MM-210BAR
12	E04422810	1	HYDRAULIC HOSE 1/4X1055MM-210BAR
13	E04104010	1	HYDR. PASSAGE
14	E04500020	10	SEALING RING
15	E04501200	1	HYDRAULIC COUPLING
16	E04501230	1	HYDRAULIC COUPLING
17	E04501260	10	DUST COVER
18	E04501290	10	DUST COVER
19	E30000250	1	WIRING SNOW SWEEPER
20	E61000488	1	TAP F. CLUTCH HOLDER
21	E61000478	2	PINION ASSEMBLY REAR
22	E01902050	10	SPLIT PIN
23	E04500030	10	SEALING RING
24	E01901300	10	KUBOTA LOCKING PIN
25	E01901330	10	KUBOTA LOCKING PIN
26	E04501320	1	HYDRAULIC COUPLING
27	E04501330	1	HYDRAULIC COUPLING
28	E04422850	1	RAPID HYDRAULIC HOSE 1/4X1095MM-210BAR
29	E04422700	1	HYDRAULIC HOSE 1/2X730MM-225BAR
30	E04422710	1	HYDRAULIC HOSE 1/2X700MM-225BAR
31	E04422090	1	RETURN HOSE
32	E04421830	1	RAPID HYDRAULIC HOSE
33	E09823700	1	SHIMS
34	E02000050	10	RIVET
35	E61100709	1	SEAL PLATE
36	E61202629	1	CLUTCH HOLDER
37	E41104370	1	CLIPS CONNECTION
38	E04601280	1	RAPID UNION
39	E05004350	1	WINDOW AND HOSE CLIP
40	E04705060	1	COMPRESSED AIR HOSE
41	E05004340	1	WATERCOUPLING

# Perkins - Manoeuvre valve and weightoverpass va 2250 HYDRAULIC

03-09-2012

Part List ID  
EGH2250PER24

31



06.03.2012

70001021-24A

# Perkins - Manoeuvre valve and weightoverpass v

## 2250 HYDRAULIC

03-09-2012

Part List ID  
EGHZ250PER24

32

Pos	Part no.	Qty	Description
1	E01901570	10	CIRCLIP
2	E03909000	10	COPPER DISC
3	E04001530	1	MANEUVERING VALVE
4	E03803060	10	LOCK NUT
5	E03909070	10	COPPER DISC
6	E04001530	1	MANEUVERING VALVE
7	E04001540	1	WEIGHT TRANSF. VALVE
8	E04109060	1	BANJO HYDRAULIC BOLT
9	E04109200	1	BANJO HYD. BOLT
10	E04109210	1	BANJO HYDRAULIC BOLT
11	E04109220	1	BANJO HYDRAULIC EYE
12	E04421800	1	HYDRAULIC HOSE 1/4 1795 MM90G
13	E04420550	1	RAPID HYDRAULIC HOSE
14	E04420590	1	RAPID HYDRAULIC HOSE
15	E04423020	1	RAPID HYDRAULIC HOSE 1/4 1170MM 210 BAR
16	E04422780	1	HYDRAULIC HOSE 1/4X1465MM-210BAR
17	E04422820	1	HYDRAULIC HOSE 1/4X1445MM-210BAR
18	E04422800	1	HYDRAULIC HOSE 1/4X1695MM-210BAR
19	E04422840	1	HYDRAULIC HOSE 1/4X1785MM-210BAR
20	E04420940	1	RAPID HYDRAULIC HOSE
21	E04420950	1	RAPID HYDRAULIC HOSE
22	E04420960	1	RAPID HYDRAULIC HOSE
23	E41103890	1	COVER PLATE
24	E04013530	1	SAFETY VALVE
25	E09921610	1	VALVE BLOCK
26	E04013120	1	SOLENOID VALVE
27	E61001069	1	PIN BOLT
28	E61001079	1	PIN BOLT
29	E01702170	1	BALL AND JOINT
31	E03404330	10	ALLEN BOLT
32	E03404060	10	ALLEN SCREW
33	E61000960	1	TOP PLATE
34	E04001710	1	MICRO SWITCH
35	E04013330	1	FIELD COIL
36	E03002100	1	STICKER
37	E04422060	1	RETURN HOSE
38	E04009195	1	SAFETY VALVE