

2250 ELECTRIC

Model:
2250 ELECTRIC



Part List English

22-08-2012

Table of Contents

2250 ELECTRIC

Perkins - Attachment A-Frame - E70001021-03A	3
Perkins - Steering Column - E70001021-06A	6
Perkins - Joystick + Valve + Fuel tank - E70001021-1	9
Perkins - Cover + Handle + Stop light + Nut + Spri	12
Perkins - Load Bracket - E70001021-22A	15

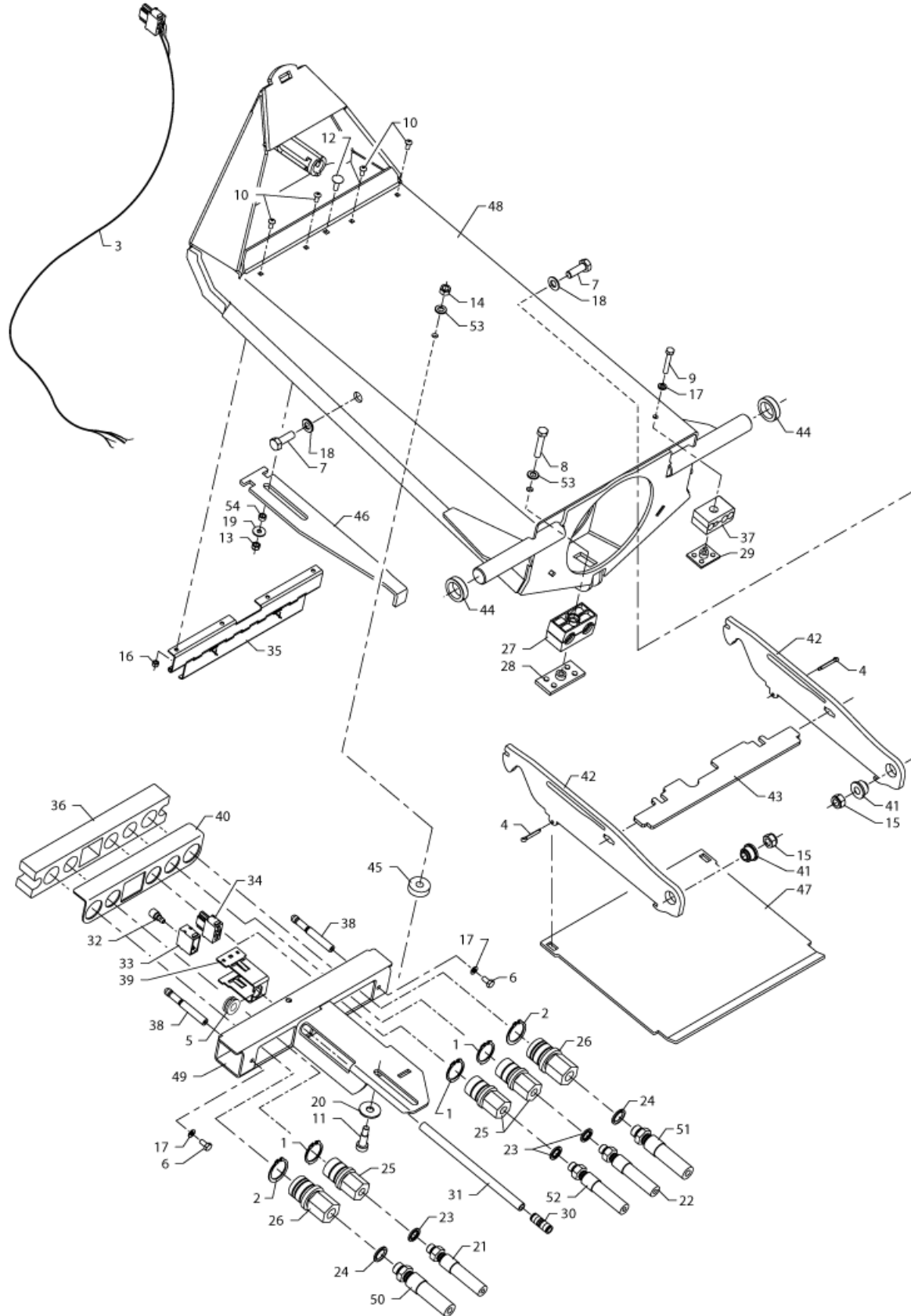
Perkins - Attachment A-Frame - E70001021-03,

2250 ELECTRIC

22-08-2012

Part List ID
EGH2250PER3

3



06.03.2012

70001021-03A

Perkins - Attachment A-Frame - E70001021-03

2250 ELECTRIC

22-08-2012

Part List ID
EGH2250PER3

4

Pos	Part no.	Qty	Description
1	E01901300	10	KUBOTA LOCKING PIN
2	E01901330	10	KUBOTA LOCKING PIN
3	E30000310	1	WIRING SNOW SWEEPER
4	E01902050	10	SPLIT PIN
5	E02704060	10	RUBBER PASSAGE
6	E03100070	10	STEEL BOLT
7	E03100220	10	STEEL BOLT
8	E03100390	10	STEEL BOLT
9	E03100140	0	STEEL BOLT
10	E03200730	10	SCREW
11	E03406040	10	BOLT
12	E03500020	10	CARRIAGE BOLT
13	E03803040	10	LOCK NUT
14	E03803060	10	LOCK NUT
15	E03803070	10	LOCK NUT
16	E03804050	10	LOCK NUT
17	E03900030	10	DISC
18	E03900040	10	DISC
19	E03902010	10	SHIELD DISC
20	E03902030	10	SHIELD DISC
21	E04421800	1	HYDRAULIC HOSE 1/4 1795 MM90G
22	E04420550	1	RAPID HYDRAULIC HOSE
23	E04500020	10	SEALING RING
24	E04500030	10	SEALING RING
25	E04501320	1	HYDRAULIC COUPLING
26	E04501330	1	HYDRAULIC COUPLING
27	E04503110	1	HYDR. PIPE CLAMP
28	E04503120	1	PLATE
29	E04503140	1	PLATE
30	E04601280	1	RAPID UNION
31	E04705060	1	COMPRESSED AIR HOSE
32	E05004340	1	WATERCOUPLING
33	E05004350	1	WINDOW AND HOSE CLIP
34	E05004370	1	SOCKET MALE
35	E09721670	1	FLAP
36	E09721970	1	SEAL TANK INDICATOR
37	E09723230	1	HOSE HOLDER
38	E09921580	2	GUIDE RAIL
39	E41103620	1	CLIPS
40	E41104750	1	COUPLING PLATE
41	E61000609	2	BUSH LOCKING HOOK
42	E61000619	2	LOCKING HOOK
43	E61000629	1	TAP F. CLUTCH HOLDER

Perkins - Attachment A-Frame - E70001021-03

2250 ELECTRIC

22-08-2012

Part List ID
EGH2250PER3

5

Pos	Part no.	Qty	Description
44	E61000669	2	DISC FOR TURNING JOI
45	E61000729	1	GUIDE BLOCK
46	E61100659	1	CLUTCH BAR
47	E61100665	1	BOTTOM PLATE CABIN
48	E61201035	1	A-FRAME
49	E61201099	1	CLUTCH HOLDER
50	E04423000	1	RAPID HYDRAULIC HOSE 1/2 1815MM 225 BAR
51	E04423010	1	RAPID HYDRAULIC HOSE 1/2 1830MM 225 BAR
52	E04422080	1	RETURN HOSE

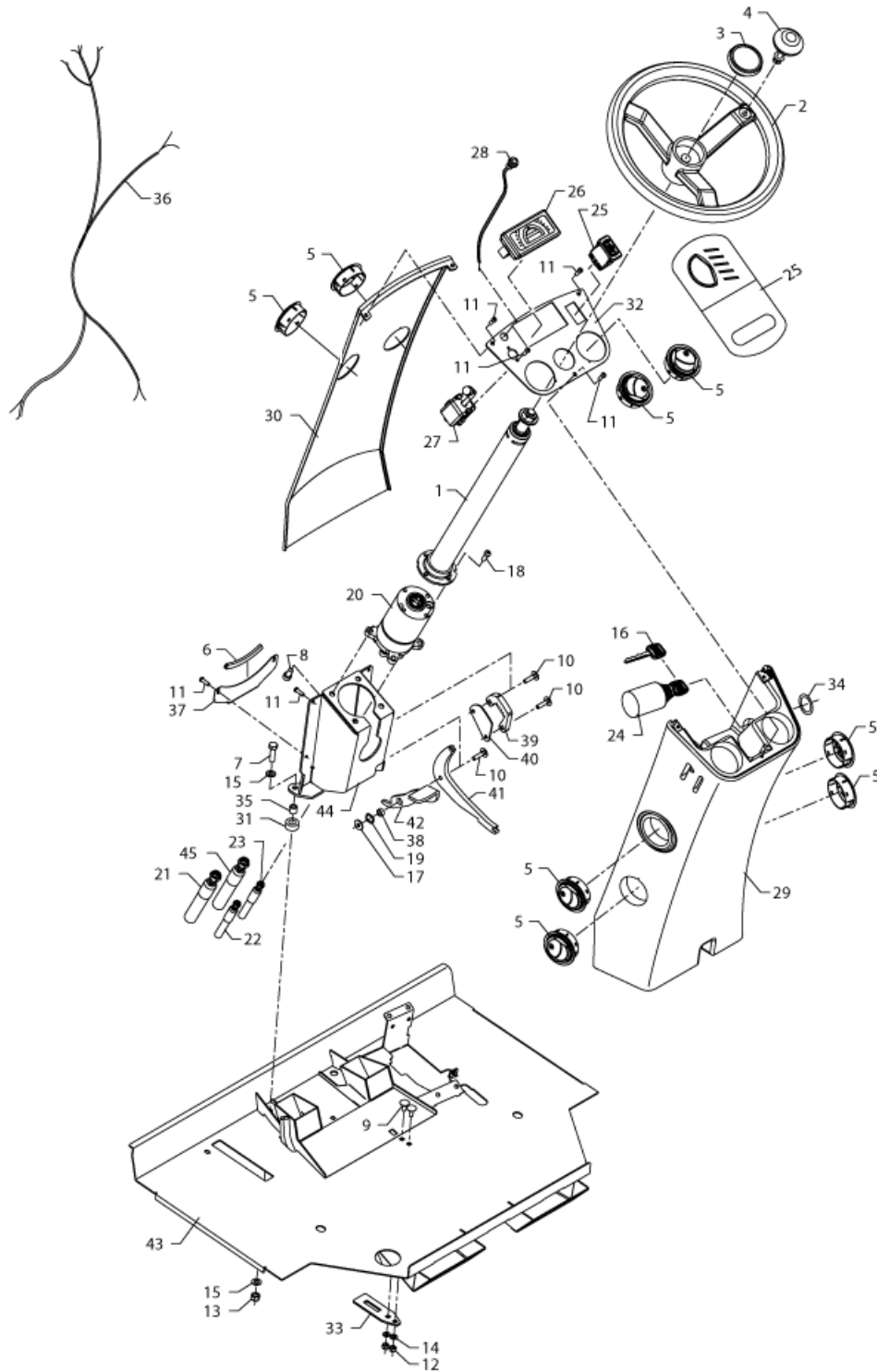
Perkins - Steering Column - E70001021-06A

2250 ELECTRIC

22-08-2012

Part List ID
EGH2250PER6

6



Perkins - Steering Column - E70001021-06A

2250 ELECTRIC

22-08-2012

Part List ID
EGH2250PER6

7

Pos	Part no.	Qty	Description
1	E01101070	1	STEERING COLUMN
2	E01101080	1	STEERING WHEEL
3	E01109560	1	COVER COMBO FILTER
4	E01109600	1	STEERING WHEEL KNOB
5	E01110000	1	AIR NOZZLE
6	E01201210	1	EDGING BEADING
7	E03100160	10	STEEL BOLT
8	E03404110	0	ALLEN SCREW
9	E03500010	10	CARRIAGE BOLT
10	E03500030	10	CARRIAGE BOLT
11	E03600090	10	SCREW
12	E03803040	10	LOCK NUT
13	E03803060	10	LOCK NUT
14	E03900030	10	DISC
15	E03900040	10	DISC
16	E05006165	1	KEY FOR MAIN SWITCH
17	E03902010	10	SHIELD DISC
18	E03404030	10	ALLEN SCREW
19	E03906090	1	WAVE SPRING
20	E04002220	1	ORBITROL
21	E04423030	1	RAPID HYDRAULIC HOSE 3/8 1195MM 210 BAR
22	E04420770	1	RAPID HYDRAULIC HOSE
23	E04420780	1	RAPID HYDRAULIC HOSE
24	E05006160	1	IGNITION SWITCH
25	E05009640	1	SWITCH
26	E05010140	1	INSTRUMENT PANEL
27	E05009890	1	SWITCH TURN SIGNAL
28	E05009950	1	SWITCH
29	E09720040	1	COVER
30	E09720190	1	COVER
31	E09721680	1	RUBBER COVER
32	E09822150	1	INSTRUMENT PANEL
33	E09824770	1	SPRING
34	E09825800	1	DISC
35	E09922010	1	BUSH
36	E30000260	1	WIRING SNOW SWEEPER
37	E41105050	1	WINDOW AND HOSE CLIP
38	E61000228	1	SPACER PIPE
39	E61000448	1	TOOTH RING
40	E61000458	1	PLATE
41	E61001059	1	LOCK ARM
42	E61101129	1	PEDAL
43	E61200515	1	BOTTOM PLATE CABIN

Perkins - Steering Column - E70001021-06A

2250 ELECTRIC

22-08-2012

Part List ID
EGH2250PER6

8

Pos	Part no.	Qty	Description
44	E61200735	1	STEERING COLUMN
45	E04422070	1	RETURN HOSE

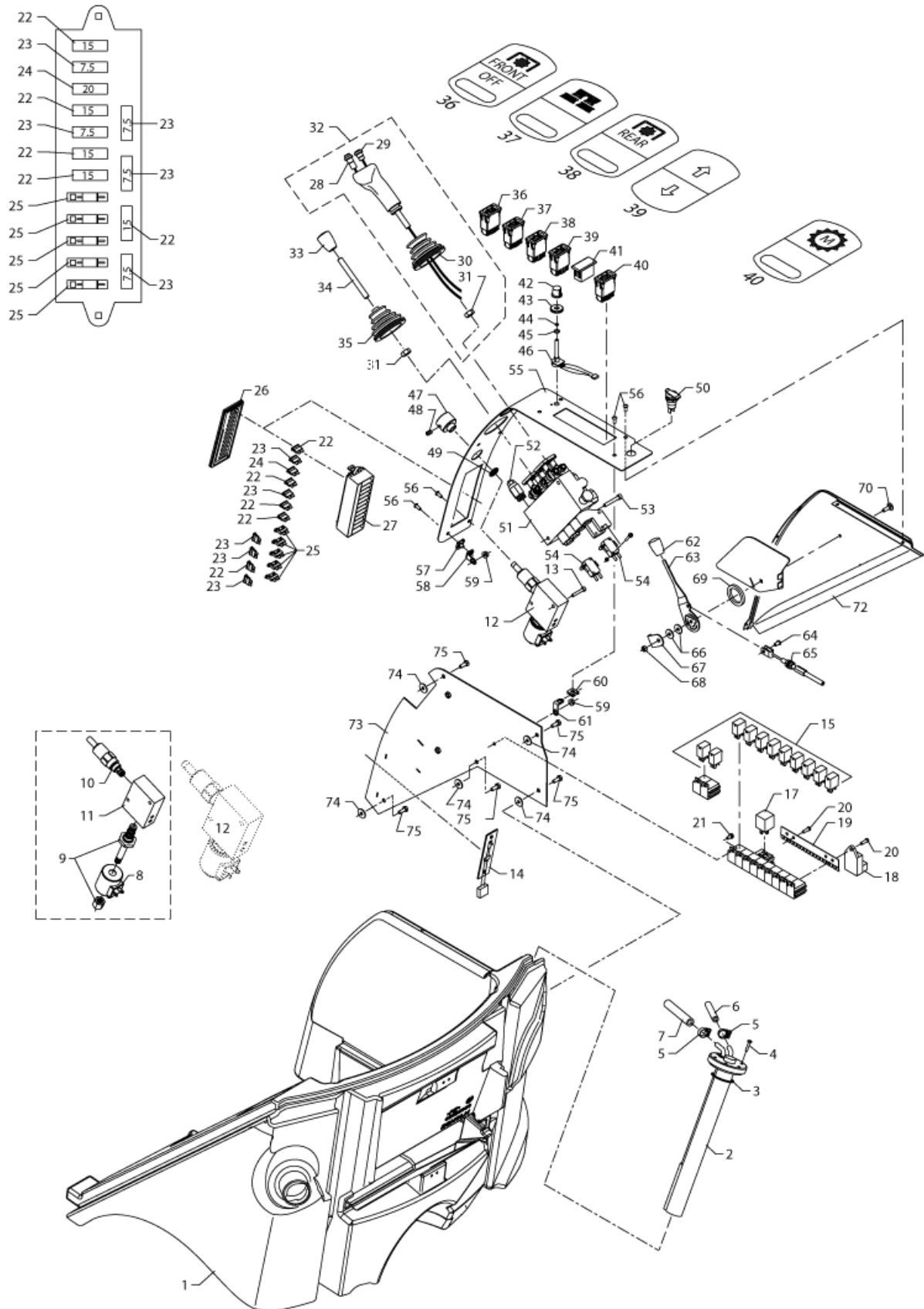
Perkins - Joystik + Valve + Fuetank - E7000102'

2250 ELECTRIC

22-08-2012

Part List ID
EGH2250PER12

9



21.03.2012

70001021-12A

Perkins - Joystik + Valve + Fuel tank - E7000102

2250 ELECTRIC

22-08-2012

Part List ID
EGHZ250PER12

10

Pos	Part no.	Qty	Description
1	E09720000	1	FUEL TANK
2	E20204190	1	FUEL LEVEL INDICATOR
3	E01003290	1	SEAL TANK INDICATOR
4	E03300190	6	MACHINE SCREW
5	E02600030	1	HOSE CLIP
6	E04422880	1	FUEL PIPE Ø8-OLN6 X 1295 MM
7	E04422910	1	FUEL PIPE Ø8-OLN6 X 1830 MM
8	E04013330	1	FIELD COIL
9	E04013120	1	SOLENOID VALVE
10	E04013530	1	SAFETY VALVE
11	E09921610	1	VALVE BLOCK
12	E04001540	1	WEIGHT TRANSF. VALVE
13	E03404270	10	ALLEN BOLT
14	E30000805	1	DIODE
15	E05004115	1	RELAY
17	E05004420	1	RELAY
18	E01010010	1	RELAY PRE-HEATER
19	E09830830	1	PLATE 0.8 MM
20	E03600090	10	SCREW
21	E03702010	10	SCREW
22	E05006020	10	BLADE FUSE
23	E05006010	10	BLADE FUSE
24	E05006030	10	BLADE FUSE
25	E05006180	1	DIODE
26	E09724830	1	PIPE COVER F. HEATER
27	E05006150	1	FUSE SOCKET
28	E05009910	1	SWITCH
29	E05009950	1	SWITCH
30	E09721940	1	RUBBER COVER
31	E03800060	10	STEEL NUT
32	E70401091	1	JOYSTICK
33	E01302220	1	HANDLE
34	E09922430	1	MANEUVERING VALVE
35	E09721950	1	RUBBER COVER
36	E05009550	1	SWITCH
37	E05009630	1	SWITCH
38	E05009570	1	SWITCH
39	E05009660	1	SWITCH
40	E05009560	1	SWITCH
41	E05009650	1	BLIND COVER
42	E01302250	1	OPERATING HANDLE
43	E09723290	1	NYLON DISC
44	E01800420	1	O-RING

Perkins - Joystik + Valve + Fuel tank - E7000102

2250 ELECTRIC

22-08-2012

Part List ID
EGHZ250PER12

11

Pos	Part no.	Qty	Description
45	E01800440	1	O-RING
46	E30000130	1	POTENTIOMETER
47	E09921920	1	HANDLE
48	E03402010	1	ALLEN SCREW
49	E02704150	1	O-RING
50	E05007010	1	SOCKET 1-PIN
51	E04001530	1	MANEUVERING VALVE
52	E04009195	1	SAFETY VALVE
54	E04001710	1	MICRO SWITCH
55	E03002100	1	STICKER
56	E03200730	10	SCREW
57	E03809170	4	PLATE CLIP
58	E61101149	2	PLATE SECURING PANEL
59	E03809120	10	FLANGE NUT F
60	E03809170	4	PLATE CLIP
61	E61101149	2	PLATE SECURING PANEL
62	E01301000	1	HANDLE
63	E41104520	1	THROTTLE
64	E09922470	1	GAS THROTTLE JOURNAL
65	E01200080	1	THROTTLE CABLE
66	E09701550	2	NYLON DISC
67	E41106180	1	PLASTIC BEARING
68	E03800030	10	STEEL NUT
69	E09722830	1	FRICTION RING
70	E03500020	10	CARRIAGE BOLT
72	E09721490	1	PIPE COVER F. HEATER
73	E61200885	1	CONSOLE
74	E03902010	10	SHIELD DISC
75	E03100080	10	STEEL BOLT

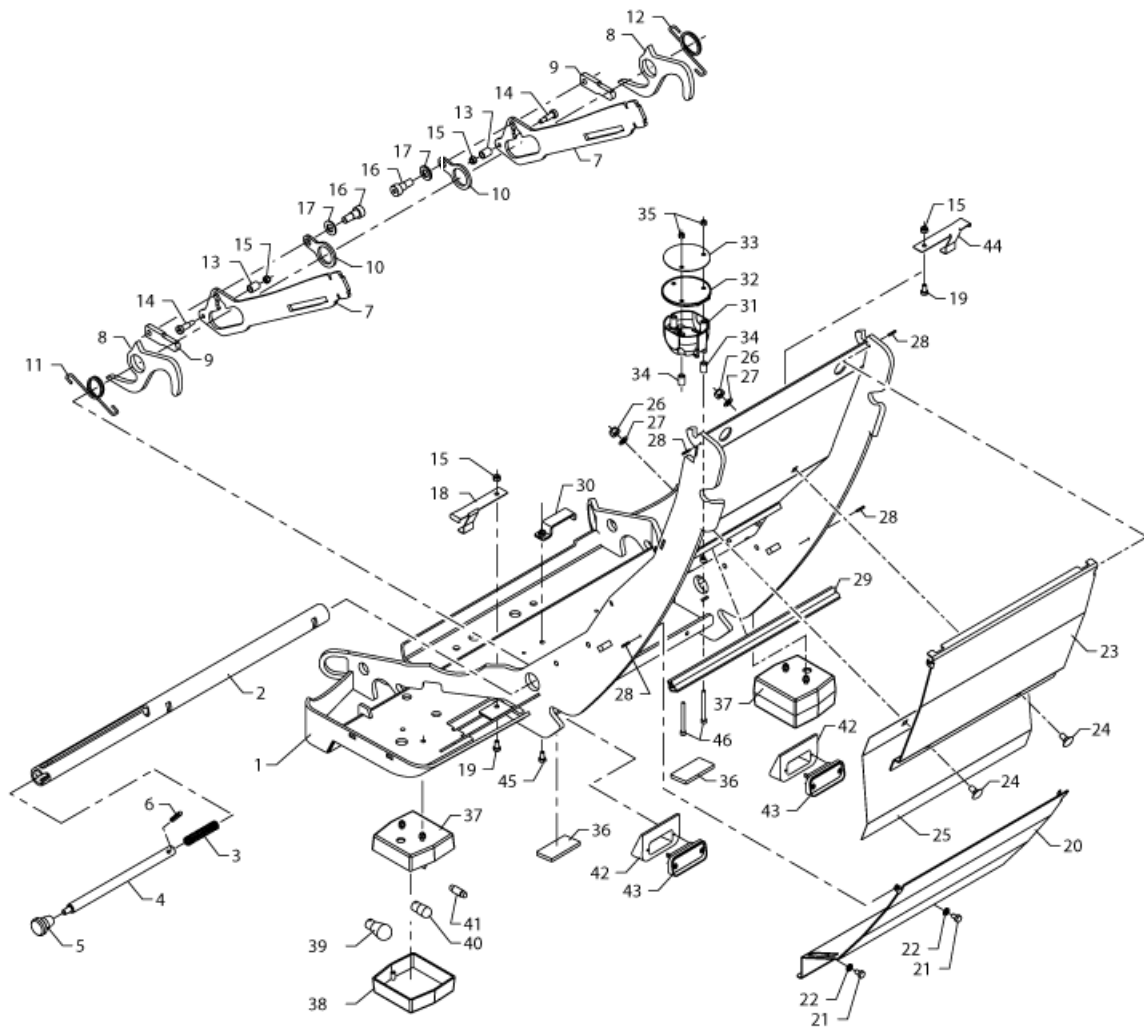
Perkins - Cover + Handle + Stop light + Nut + S

2250 ELECTRIC

22-08-2012

Part List ID
EGH2250PER21

12



20.03.2012

70001021-21A

Perkins - Cover + Handle + Stop light + Nut + S

2250 ELECTRIC

22-08-2012

Part List ID
EGHZ250PER21

13

Pos	Part no.	Qty	Description
2	E61000138	1	LOCKING AXLE
3	E02201190	1	COMPRESSION SPRING
4	E09920480	1	AXLE FOR HANDLE
5	E09721440	1	HANDLE
6	E01903090	1	TIGHTENING PIN
7	E61000478	1	PINION ASSEMBLY REAR
8	E61000148	1	LOCKING HOOK
9	E61000390	1	CATCH
10	E61000158	1	FITTINGS
11	E09720640	1	SPRING
12	E09720630	1	SPRING
13	E61000218	2	ROLLER ASSEMBLY
14	E03406020	2	BOLT
15	E03803040	2	LOCK NUT
16	E03406030	2	BOLT
17	E03900060	2	DISC
18	E41108130	1	HOOK
19	E03100070	2	STEEL BOLT
20	E41110540	1	PIPE COVER F. HEATER
21	E03100060	2	STEEL BOLT
22	E03900030	2	DISC
23	E61100410	1	COVER PLATE
24	E03500230	2	CARRIAGE BOLT
26	E03803060	2	LOCK NUT
27	E03900040	2	DISC
28	E01903020	4	TIGHTENING PIN
29	E01202280	1	EDGING BEADING
30	E40102580	1	HOSE HOLDER
31	E05007120	1	SOCKET 7-PIN
32	E05007050	1	SUPPORT FOR SOCKET
33	E09825790	1	PIPE COVER F. HEATER
34	E09921750	2	PIPE BUSH
35	E03803030	2	LOCK NUT
36	E03009070	2	REFLEX
37	E05000070	1	REAR STOP LIGHT
38	E05009120	1	LAMP GLASS
39	E05001010	1	BULB
40	E05001110	1	BULB
41	E05001020	1	BULB
42	E09723990	1	PAD
43	E05000230	1	NUMBER PLATE LIGHT
44	E41108140	1	HOOK
45	E03200740	1	SCREW

Perkins - Cover + Handle + Stop light + Nut + S

2250 ELECTRIC

22-08-2012

Part List ID
EGHZ250PER21

14

Pos	Part no.	Qty	Description
46	E03404000	2	ALLEN SCREW

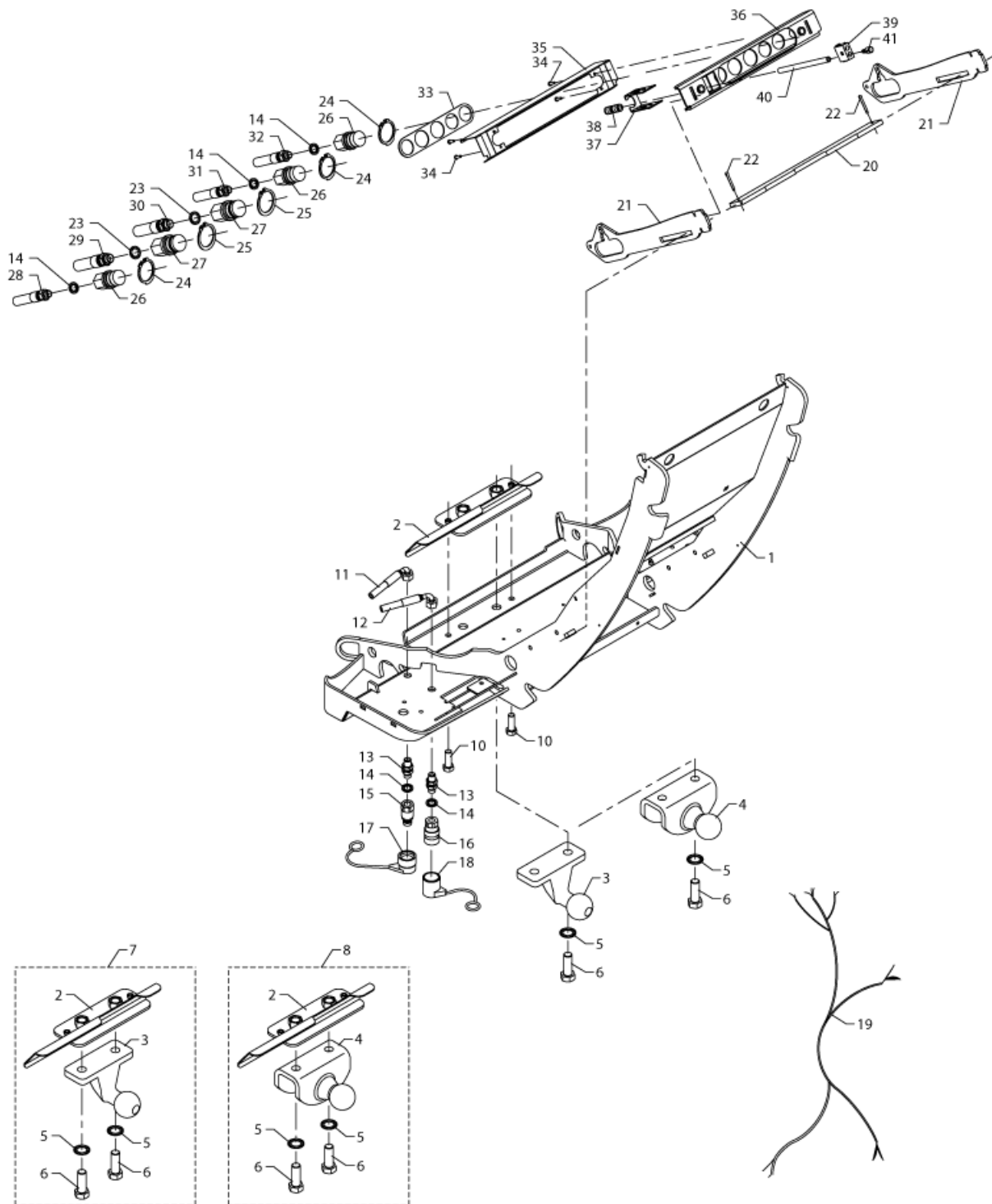
Perkins - Load Bracket - E70001021-22A

2250 ELECTRIC

22-08-2012

Part List ID
EGH2250PER22

15



20.03.2012

70001021-22A

Perkins - Load Bracket - E70001021-22A

2250 ELECTRIC

22-08-2012

Part List ID
EGHZ250PERZZ

16

Pos	Part no.	Qty	Description
2	E41203800	1	PROTECTIVE PLATE
3	E01109280	1	TENSION BALL
4	E01109270	1	TENSION BALL
5	E03900080	10	DISC
6	E03100370	10	STEEL BOLT
7	E70201111	1	TENSION BALL
8	E70201101	1	COUPLING
10	E03200790	2	BUTTON HEAD M8X16
11	E04422790	1	HYDRAULIC HOSE 1/4X1080MM-210BAR
12	E04422810	1	HYDRAULIC HOSE 1/4X1055MM-210BAR
13	E04104010	1	HYDR. PASSAGE
14	E04500020	10	SEALING RING
15	E04501200	1	HYDRAULIC COUPLING
16	E04501230	1	HYDRAULIC COUPLING
17	E04501260	10	DUST COVER
18	E04501290	10	DUST COVER
19	E30000250	1	WIRING SNOW SWEEPER
20	E61000488	1	TAP F. CLUTCH HOLDER
21	E61000478	2	PINION ASSEMBLY REAR
22	E01902050	10	SPLIT PIN
23	E04500030	10	SEALING RING
24	E01901300	10	KUBOTA LOCKING PIN
25	E01901330	10	KUBOTA LOCKING PIN
26	E04501320	1	HYDRAULIC COUPLING
27	E04501330	1	HYDRAULIC COUPLING
28	E04422850	1	RAPID HYDRAULIC HOSE 1/4X1095MM-210BAR
29	E04422700	1	HYDRAULIC HOSE 1/2X730MM-225BAR
30	E04422710	1	HYDRAULIC HOSE 1/2X700MM-225BAR
31	E04422090	1	RETURN HOSE
32	E04421830	1	RAPID HYDRAULIC HOSE
33	E09823700	1	SHIMS
34	E02000050	10	RIVET
35	E61100709	1	SEAL PLATE
36	E61202629	1	CLUTCH HOLDER
37	E41104370	1	CLIPS CONNECTION
38	E04601280	1	RAPID UNION
39	E05004350	1	WINDOW AND HOSE CLIP
40	E04705060	1	COMPRESSED AIR HOSE
41	E05004340	1	WATERCOUPLING