

2250 CHASSIS

Model:
2250 VARIOUS



Part List English

03-09-2012

Table of Contents

2250 CHASSIS

Perkins - Hydraulic -A-ramme Forchassis - E7000102	3
Perkins - Rear Chassis and joint - E70001021-02B	6
Perkins - Look A-Frame - E70001021-04A	8
Perkins - Hydraulic under frontchassis - E70001021	10
Perkins - Body Front, Fuel tank - E70001021-10A	13
Perkins - Fuel tank, Cabin Filter, Pipe cover for	15
Perkins - Heating System - E70001021-13A	17
Perkins - Body Rear - E70001021-14B	19
Perkins - Aircondition - E70001021-16A	21
Perkins - Cover + Handle + Stop light + Nut + Spri	23
Perkins - Isolation - E70001021-23A	26

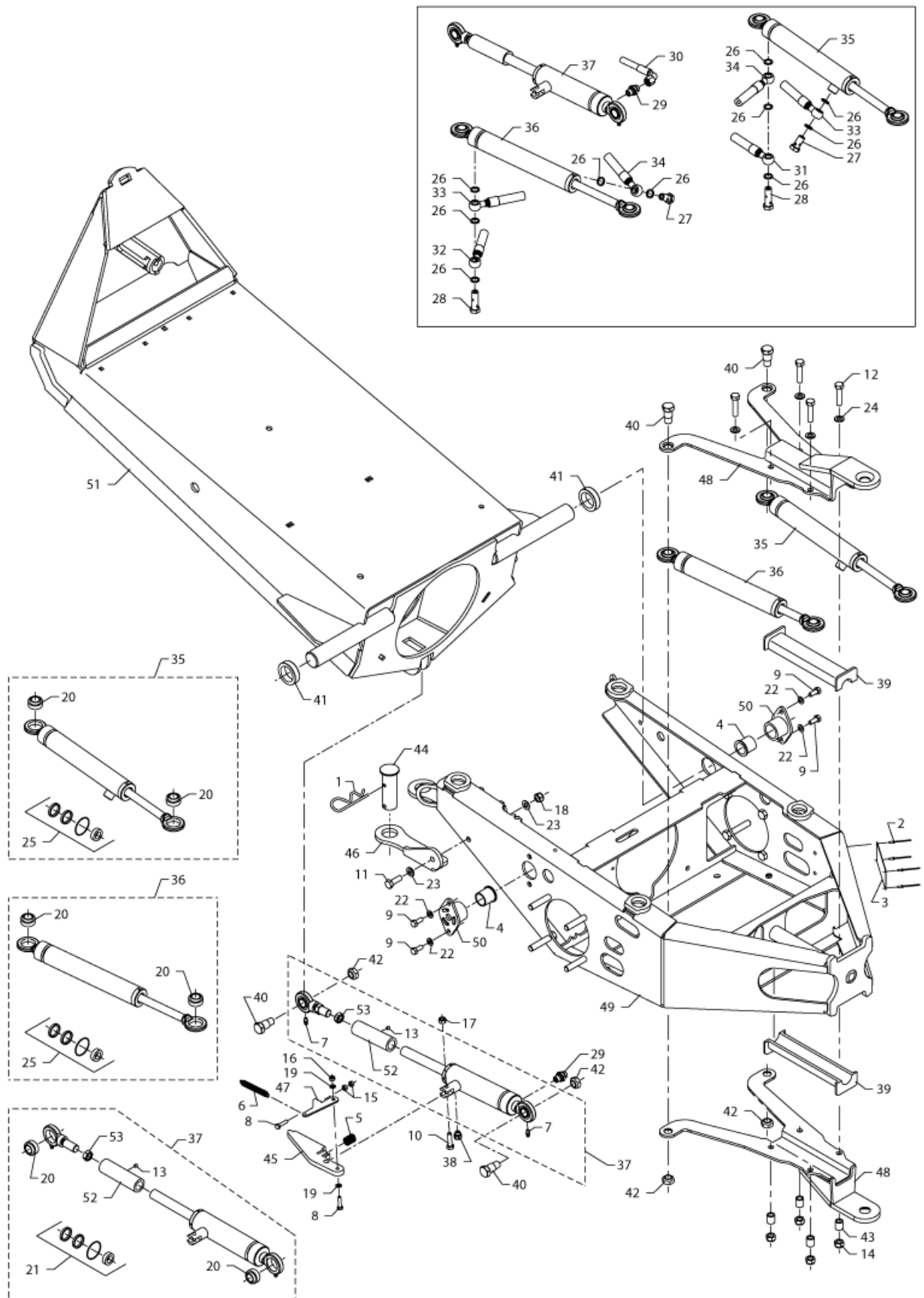
Perkins - Hydraulic -A-ramme Forchassis - E7000

2250 CHASSIS

03-09-2012

Part List ID
EGH2250PER1

3



06.03.2012

70001021-01A

Perkins - Hydraulic -A-ramme Forchassis - E7000

2250 CHASSIS

03-09-2012

Part List ID
EGH2250PER1

4

Pos	Part no.	Qty	Description
1	E01904040	1	SPLIT-PIN
2	E02000010	10	RIVET
3	E03000460	1	MODEL PLATE 2250
4	E01704090	1	PLASTIC BEARING
5	E02203260	1	COMPRESSION SPRING
6	E02203280	1	TENSION SPRING
7	E02400020	1	OIL CUP
8	E03100100	10	STEEL BOLT
9	E03100140	10	STEEL BOLT
10	E03100160	1	STEEL BOLT
11	E03100220	10	STEEL BOLT
12	E03209030	10	STEEL BOLT
13	E03402020	1	ALLEN SCREW
14	E03803070	10	LOCK NUT
15	E03800030	10	STEEL NUT
16	E03803040	10	LOCK NUT
17	E03803060	1	LOCK NUT
18	E03804090	4	LOCK NUT
19	E03900030	10	DISC
20	E01702050	1	BEARING
21	E04509140	1	GASKET SET
22	E03900040	10	DISC
23	E03900060	10	DISC
24	E03900050	10	DISC
25	E04509080	1	GASKET SET
26	E03909070	10	COPPER DISC
27	E04109060	1	BANJO HYDRAULIC BOLT
28	E04109200	1	BANJO HYD. BOLT
29	E04120410	1	STRAIGHT SCREWING
30	E04420590	1	RAPID HYDRAULIC HOSE
31	E04420770	1	RAPID HYDRAULIC HOSE
32	E04420780	1	RAPID HYDRAULIC HOSE
33	E04420790	1	RAPID HYDRAULIC HOSE
34	E04420800	1	RAPID HYDRAULIC HOSE
35	E04502110	1	HYDRAULIC CYLINDER
36	E04502120	1	HYDRAULIC CYLINDER
37	E04502170	1	HYDRAULIC CYLINDER
38	E04601010	1	SILENCER
39	E09720010	2	RUBBER FOR TURN
40	E61000428	1	BOLT
41	E61000659	2	SPACER RING
42	E61000689	1	STEEL NUT
43	E61001299	4	SPAN BUSH

Perkins - Hydraulic -A-ramme Forchassis - E7000

2250 CHASSIS

03-09-2012

Part List ID
EGH2250PER1

5

Pos	Part no.	Qty	Description
44	E61000849	1	TOWING JOURNAL
45	E61000859	1	TRANSPORT LOCK
46	E61100955	1	PULLEY EYE F. TOWING
47	E61101009	1	ADJUSTING PLATE
48	E61200020	1	PIVOT JOINT
49	E61200690	1	FRONT CHASSIS
50	E61200788	1	SUSPENSION A-FRAME
51	E61201035	1	A-FRAME
52	E61000869	1	HOSE TRANSPORT LOCK
53	E03809075	1	LOCK NUT
54	E04421830	1	RAPID HYDRAULIC HOSE

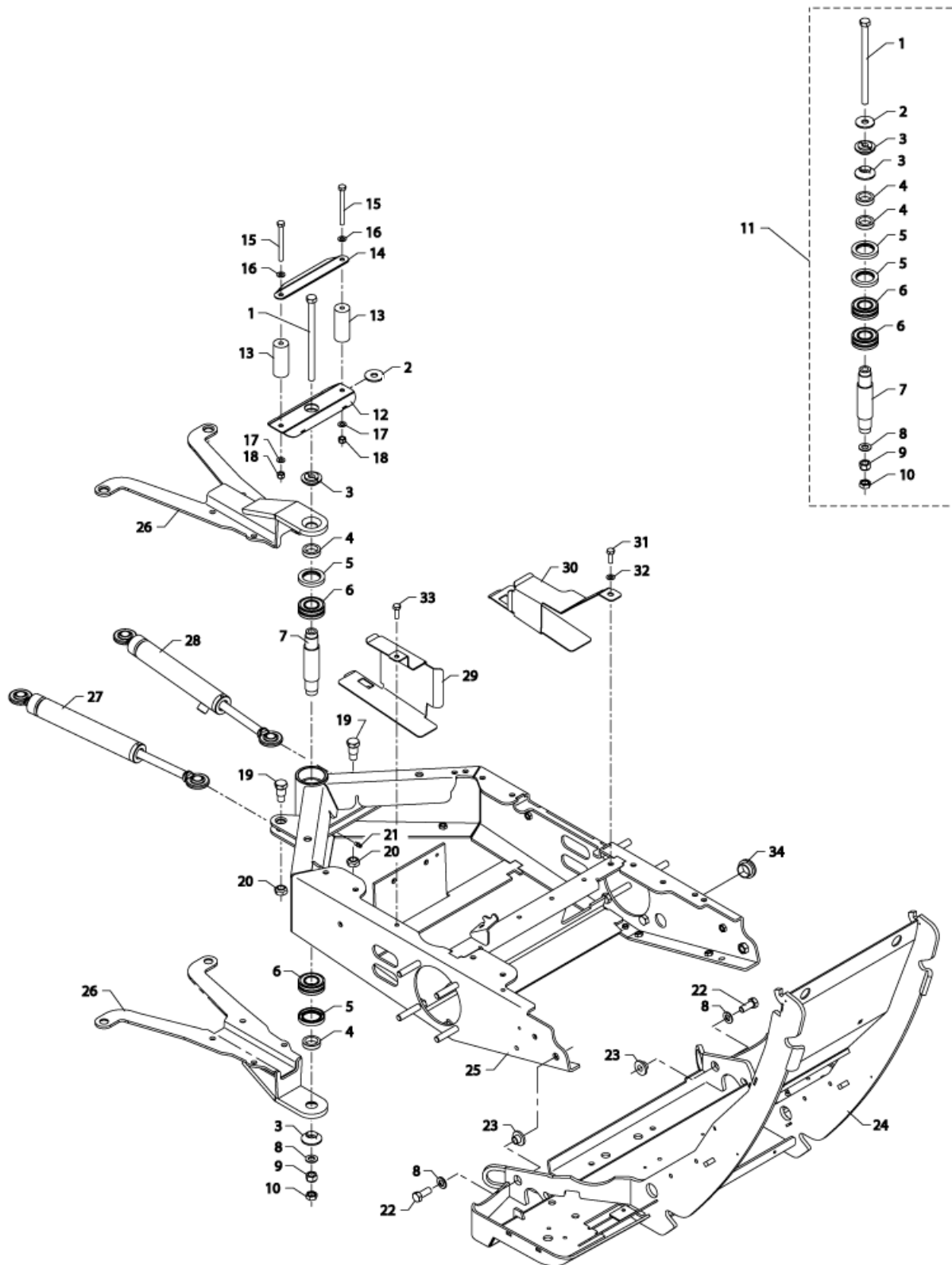
Perkins - Rear Chassis and joint - E70001021-02

2250 CHASSIS

03-09-2012

Part List ID
EGH2250PER2

6



21.06.2012/LOT

70001021-02B

Perkins - Rear Chassis and joint - E70001021-0

2250 CHASSIS

03-09-2012

Part List ID
EGH2250PER2

7

Pos	Part no.	Qty	Description
1	E03200640	1	STEEL BOLT
2	E03902040	10	SHIELD DISC
3	E61000669	2	DISC FOR TURNING JOI
4	E61000659	2	SPACER RING
5	E01801090	1	OIL O-RING
6	E01700110	2	BEARING HOUSE
7	E61000679	1	AXLE SHAFT
8	E03900060	10	DISC
9	E03803080	10	LOCK NUT
10	E03809070	10	LOCK NUT
11	E90501951	1	ARTICULATE SET
12	E41204100	1	HOSE PASSAGE BOTTOM
13	E09723250	2	NYLON ROLLER
14	E61102020	1	HOSE PASSAGE TOP
15	E03200610	10	STEEL BOLT
16	E03900040	10	DISC
17	E03900040	10	DISC
18	E03803060	10	LOCK NUT
19	E61000428	1	BOLT
20	E61000689	1	STEEL NUT
21	E02400020	10	OIL CUP
22	E03100280	10	STEEL BOLT
23	E61001650	2	ADJUSTING BUSH
25	E61203090	1	REAR CHASSIS 2250. PERKINS
26	E61200020	2	PIVOT JOINT
27	E04502120	1	HYDRAULIC CYLINDER
28	E04502110	1	HYDRAULIC CYLINDER
29	E41111020	1	HOSE HOLDER LEFT
30	E60101029	1	HOSE HOLDER RIGHT
31	E03100130	1	STEEL BOLT
32	E03900040	1	DISC
33	E03100100	1	STEEL BOLT
34	E02701035	1	STOPPER SR1530 Ø45 MM

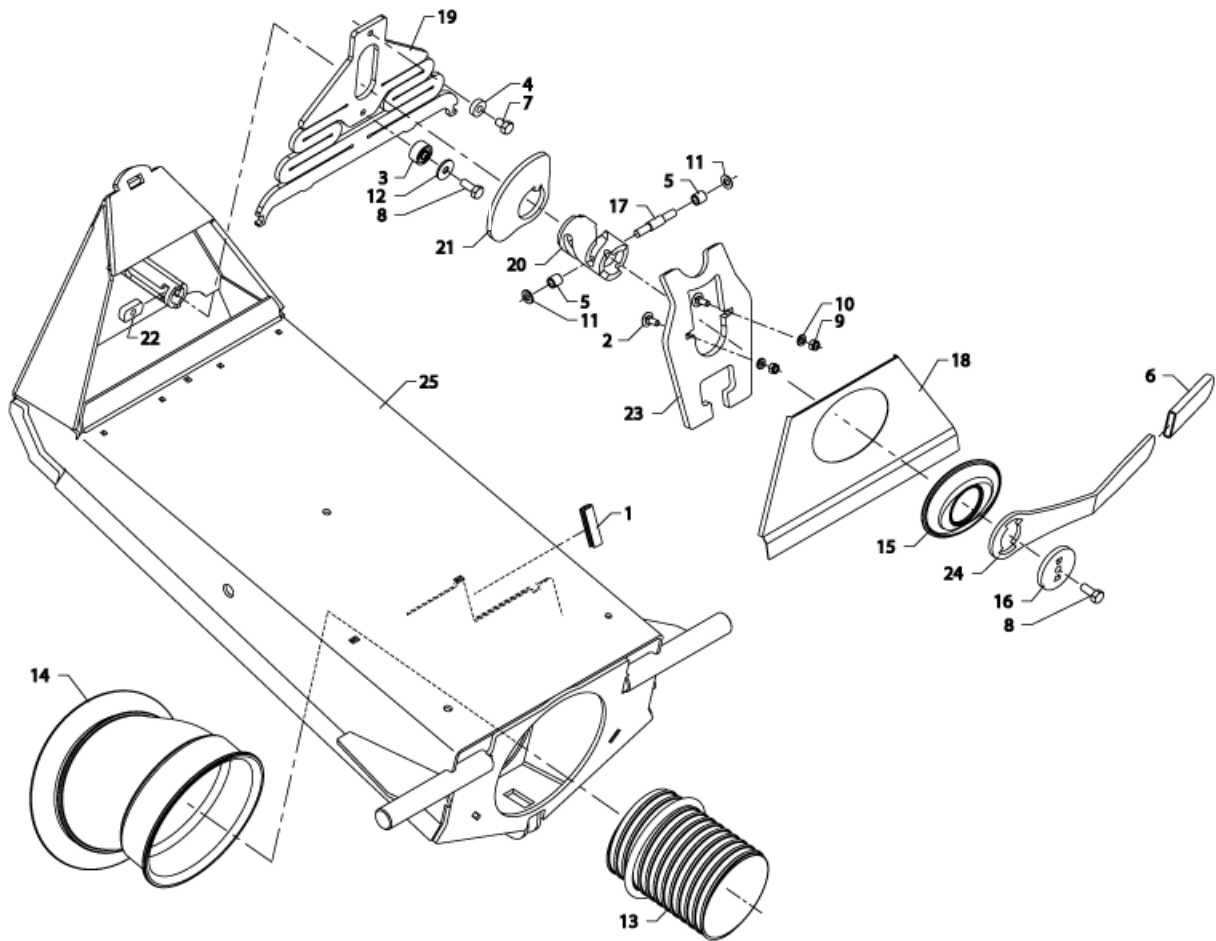
Perkins - Look A-Frame - E70001021-04A

2250 CHASSIS

03-09-2012

Part List ID
EGH2250PER4

8



06.03.2012

70001021-04A

Perkins - Look A-Frame - E70001021-04A

2250 CHASSIS

03-09-2012

Part List ID
EGH2250PER4

9

Pos	Part no.	Qty	Description
1	E01201220	1	EDGING BEADING
2	E03501010	2	CARRIAGE BOLT
3	E01702090	1	ROLLER
4	E01702100	1	BEARING HOUSE
5	E01702110	1	INNER RING
6	E02701250	1	COVER FOR HANDLE
7	E03100120	10	STEEL BOLT
8	E03100140	10	STEEL BOLT
9	E03803040	10	LOCK NUT
10	E03900030	10	DISC
11	E03900040	10	DISC
12	E03902020	10	SHIELD DISC
13	E80500018	1	SUCTION HOSE
14	E09721870	1	HOSE CLUTCH
15	E09722570	1	COVER FOR A-FRAME
16	E09825360	1	DISC
17	E09921740	1	AXLE FOR A-FRAME
18	E41104090	1	COVER PLATE
19	E61000559	1	LOCKING HAMMER
20	E61000569	1	PINION FOR A-FRAME
21	E61000579	1	LOCKING PLATE
22	E61000589	1	TIGHTENING PLATE
23	E61100649	1	GENERATOR PLATE
24	E61100675	1	HANDLE
25	E61201035	1	A-FRAME

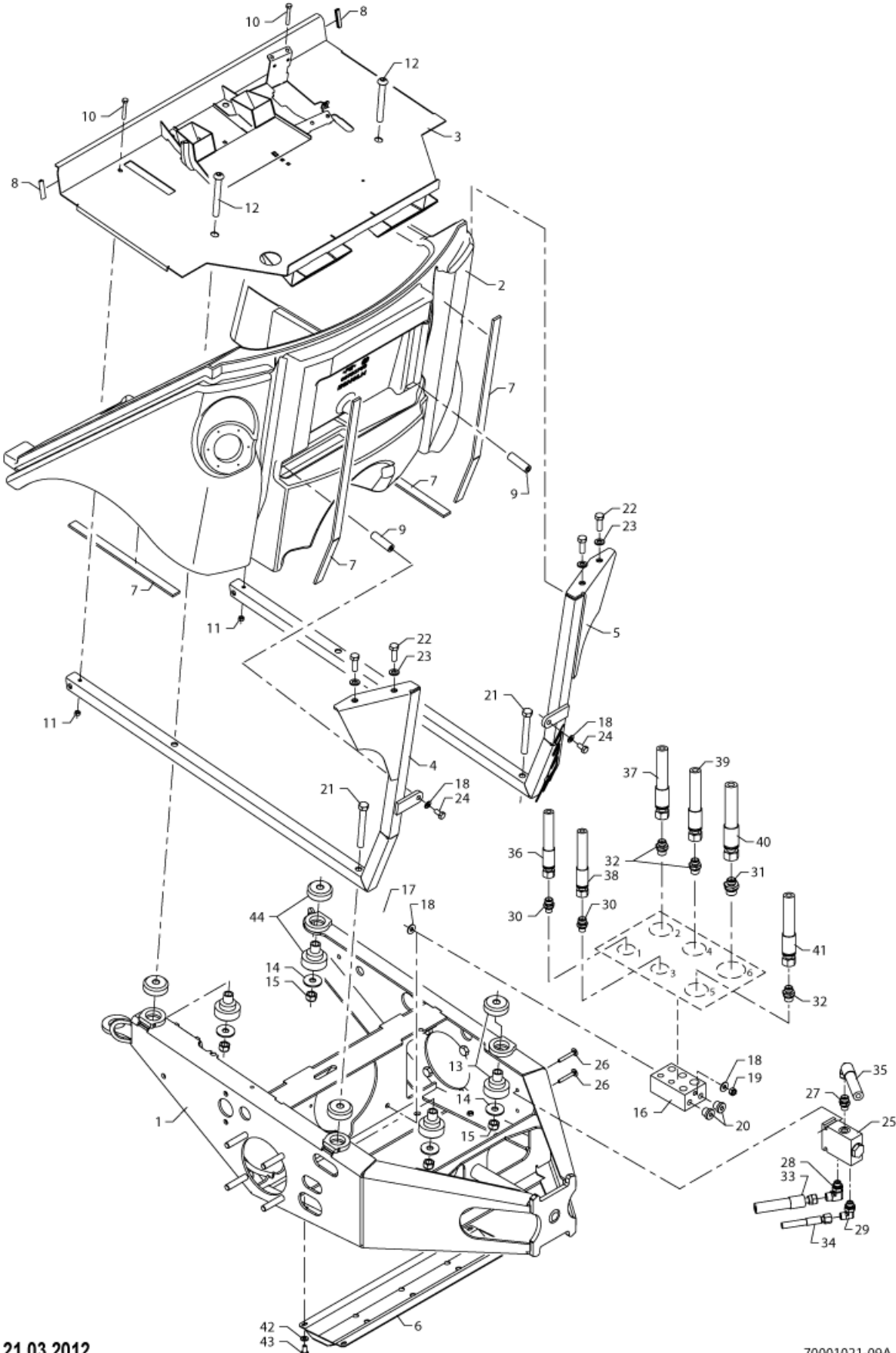
Perkins - Hydraulic under frontchassis - E700010

2250 CHASSIS

03-09-2012

Part List ID
EGH2250PER9

10



21.03.2012

70001021-09A

Perkins - Hydraulic under frontchassis - E70001

2250 CHASSIS

03-09-2012

Part List ID
EGH2250PER9

11

Pos	Part no.	Qty	Description
1	E61200690	1	FRONT CHASSIS
2	E09723750	1	FUEL TANK
3	E61200515	1	BOTTOM PLATE CABIN
4	E61200465	1	SIDE MEMBER LEFT
5	E61200475	1	SIDE MEMBER RIGHT
6	E41110920	1	COVER PLATE
7	E01202260	2	RUBBER FOR FUEL TANK
8	E01202240	2	EDGING BEADING
9	E61000528	2	SPACER
10	E03200080	10	STEEL BOLT
11	E03800030	10	STEEL NUT
12	E03200710	10	SCREW
13	E09720530	2	RUBBER SUSPENSION WILBRANDT 048X050
14	E03902040	10	SHIELD DISC
15	E03803080	10	LOCK NUT
16	E09923000	1	BLOCK RETURN HYD.
17	E03200850	1	STEEL BOLT
18	E03900040	10	DISC
19	E03803060	1	LOCK NUT
20	E04103010	1	HYDR. PLUG
21	E03200390	10	STEEL BOLT
22	E03100220	10	STEEL BOLT
23	E03900050	10	DISC
24	E03100130	10	STEEL BOLT
25	E04001520	1	FLOW DIVIDER
26	E03500210	10	CARRIAGE BOLT
27	E04120080	1	STRAIGHT SCREWING
28	E04130520	1	ANGLED SCREWING
29	E04130510	1	ANGLED SCREWING
30	E04120040	1	STRAIGHT SCREWING
31	E04120170	1	STRAIGHT SCREWING
32	E04120120	1	STRAIGHT SCREWING
33	E04423030	1	RAPID HYDRAULIC HOSE 3/8 1195MM 210 BAR
34	E04423020	1	RAPID HYDRAULIC HOSE 1/4 1170MM 210 BAR
35	E04422770	1	HYDRAULIC HOSE 3/8X860MM-210BAR
36	E04422080	1	RETURN HOSE
37	E04422070	1	RETURN HOSE
38	E04422040	1	RETURN HOSE
39	E04422060	1	RETURN HOSE
40	E04422750	1	HYDRAULIC HOSE 1/2X1340MM-20BAR
41	E04422740	1	HYDRAULIC HOSE 3/8X1380MM20 BAR
42	E03900030	4	DISC
43	E03100080	4	STEEL BOLT

Perkins - Hydraulic under frontchassis - E70001

2250 CHASSIS

03-09-2012

Part List ID
EGH2250PER9

12

Pos	Part no.	Qty	Description
44	E09720540	2	RUBBER SUSPENSION WILBRANDT 048X050

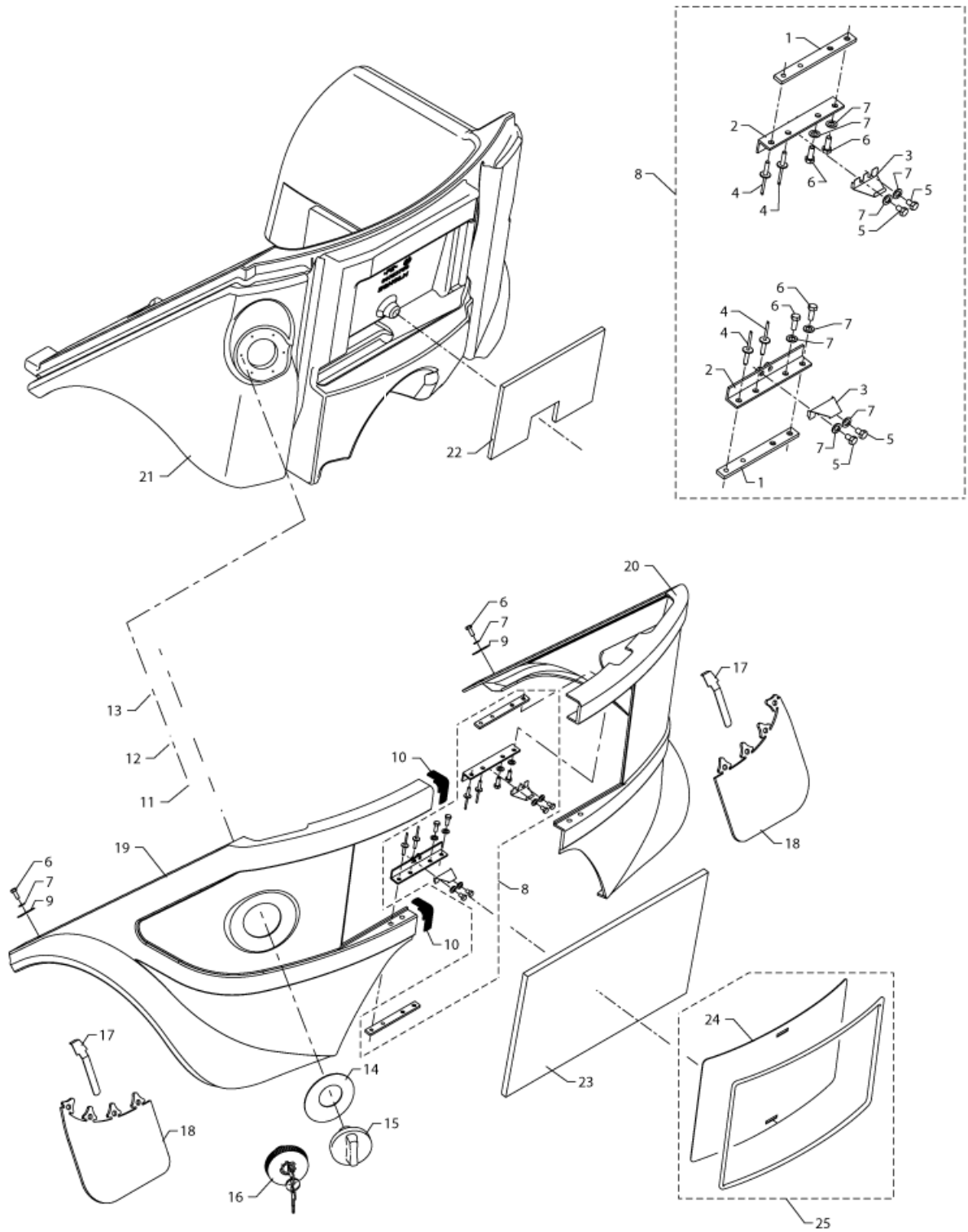
Perkins - Body Front, Fuel tank - E70001021-10A

2250 CHASSIS

03-09-2012

Part List ID
EGH2250PER10

13



21.03.2012

70001021-10A

Perkins - Body Front, Fueltank - E70001021-1C

2250 CHASSIS

03-09-2012

Part List ID
EGHZ250PER10

14

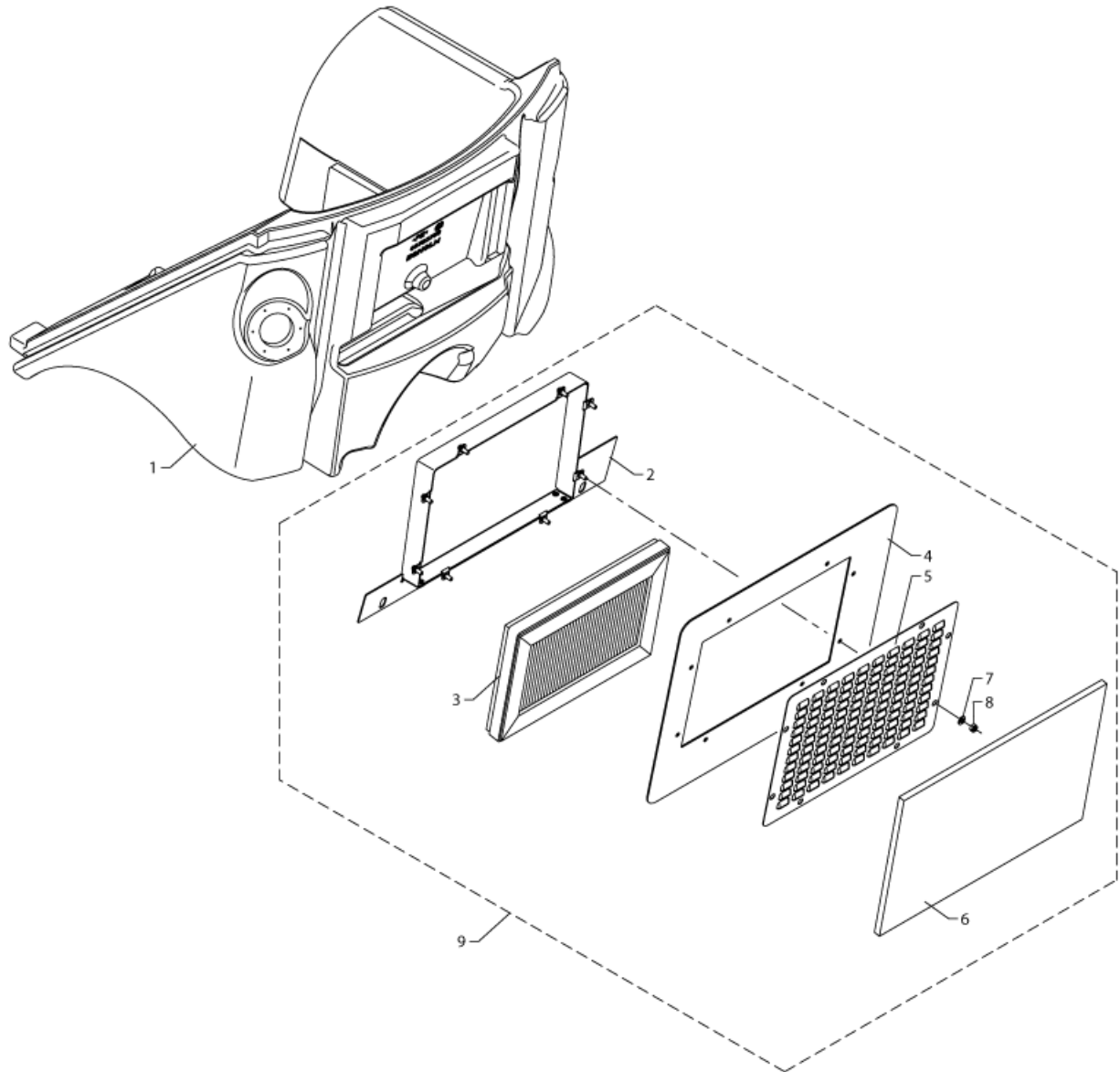
Pos	Part no.	Qty	Description
1	E41001440	1	BARB FOR SHIELDS
2	E61201919	1	SHIELD ASSEMBLER
3	E41107610	1	WINDOW AND HOSE CLIP
4	E02000080	10	RIVET
5	E03100060	10	STEEL BOLT
6	E03100080	10	STEEL BOLT
7	E03900030	10	DISC
8	E70401001	1	KIT FOR FRONT FENDER
9	E09828450	1	TIGHTENING PLATE
10	E01308140	2	SEALING
11	E03600040	6	PLATE SCREW
12	E61201889	1	FUEL PIPE
13	E09723800	1	SEAL
14	E09722770	1	DISC AT TANK FILLING
15	E09725261	1	TANK CAP
16	E01005225	1	FUEL CAP W LOCK
17	E41106770	1	MUD GUARD CLIP
18	E09722700	1	MUD GUARD
19	E09720210	1	SCREEN FRONT LEFT
20	E09720200	1	SHIELD FRONT RIGHT
21	E09723750	1	FUEL TANK
22	E09722980	1	INSULATION PLATE
23	E09723320	1	PIPE COVER F. HEATER
24	E61100624	1	GRILLE FRONT
25	E70401011	1	GRILLE FRONT

Perkins - Fuel tank, Cabin Filter, Pipe cover for 2250 CHASSIS

03-09-2012

Part List ID
EGH2250PER11

15



07.03.2012

70001021-11A

Perkins - Fuel tank, Cabin Filter, Pipe cover for 2250 CHASSIS

03-09-2012

Part List ID
EGHZ250PER11

16

Pos	Part no.	Qty	Description
1	E09723750	1	FUEL TANK
2	E80500052	1	CABIN FILTER HOLDER
3	E70501371	1	CABIN FILTER
4	E09725100	1	RUBBER GUARD
5	E09923750	1	AIR PLATE
6	E09723320	1	PIPE COVER F. HEATER
7	E03902000	8	SHIELD DISC
8	E03800020	8	STEEL NUT

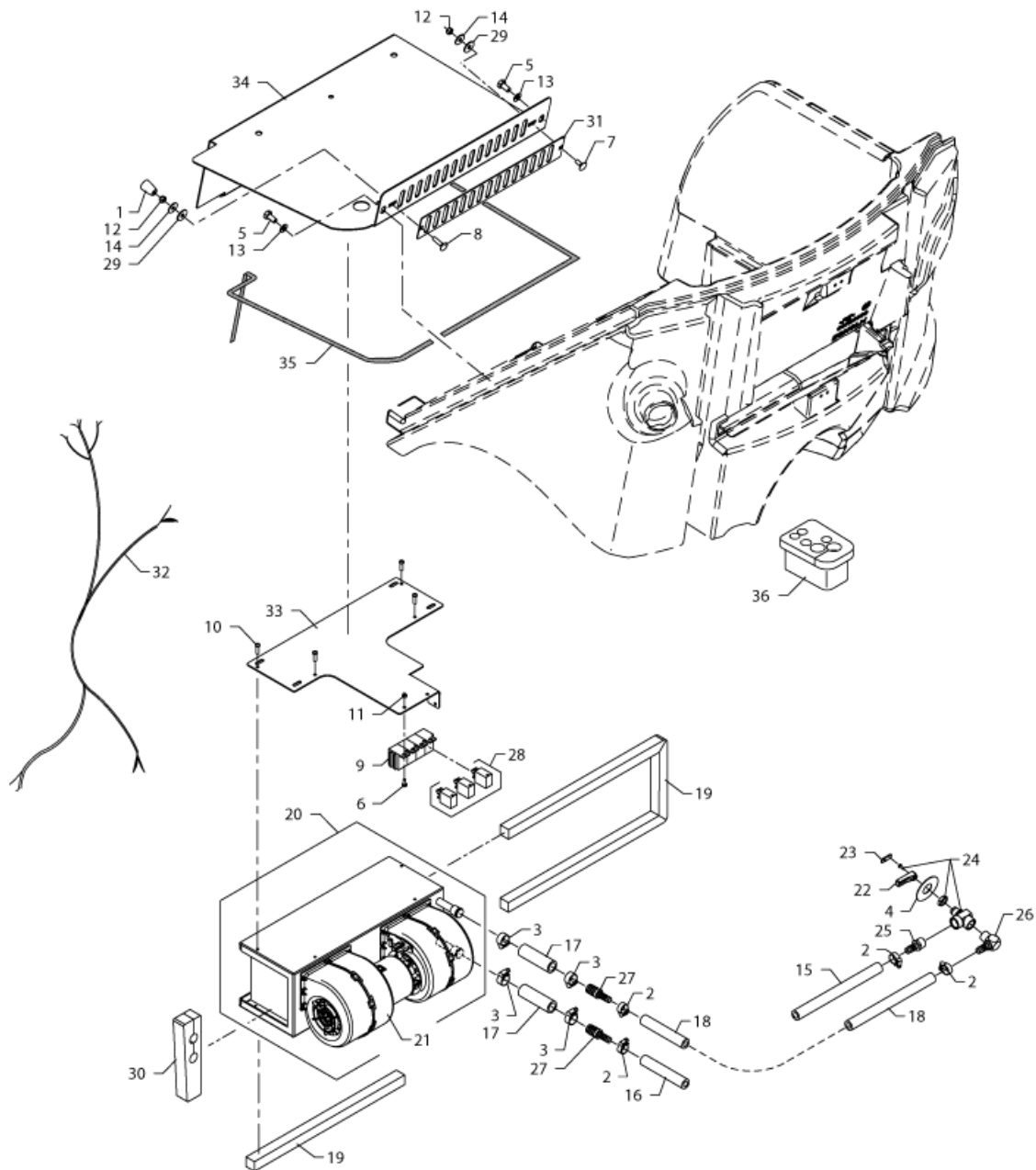
Perkins - Heating System - E70001021-13A

2250 CHASSIS

03-09-2012

Part List ID
EGH2250PER13

17



07.03.2012

70001021-13A

Perkins - Heating System - E70001021-13A

2250 CHASSIS

03-09-2012

Part List ID
EGHZ250PER13

18

Pos	Part no.	Qty	Description
2	E02600020	1	HOSE CLIP
3	E02600030	1	HOSE CLIP
4	E03001590	1	STICKER
5	E03100130	10	STEEL BOLT
6	E03300170	10	MACHINE SCREW
7	E03500010	10	CARRIAGE BOLT
8	E03500030	10	CARRIAGE BOLT
9	E05004120	1	RELAY SOCKET
10	E03600090	10	SCREW
11	E03800010	10	STEEL NUT
12	E03803040	10	LOCK NUT
13	E03900040	10	DISC
14	E03902010	10	SHIELD DISC
15	E04421010	1	OIL HOSE
16	E04421020	1	OIL HOSE
17	E04421040	1	OIL HOSE
18	E04421060	1	OIL HOSE
19	E01202170	1	MOULDING RIGHT
20	E01109940	1	HEATER
21	E01109945	1	KALORI BLOWER ENGINE
22	E04707040	1	HANDLE
23	E04707050	1	GREEN COVER
24	E04707060	1	TAP
25	E04800050	1	HOSE COUPLING
26	E04800230	1	HOSE COUPLING
27	E04800750	1	HOSE CLIP
28	E05004115	1	RELAY
29	E09701550	1	NYLON DISC
30	E09723070	1	COVERING LEFT
31	E09826330	1	AIR VENTILATION
32	E30000280	1	WIRING SNOW SWEEPER
33	E61100575	1	RELAY PLATE
34	E61203045	1	SEAT PLATE
35	E01202150	1	MOULDING RIGHT
36	E09724400	1	SEALING AT TANK

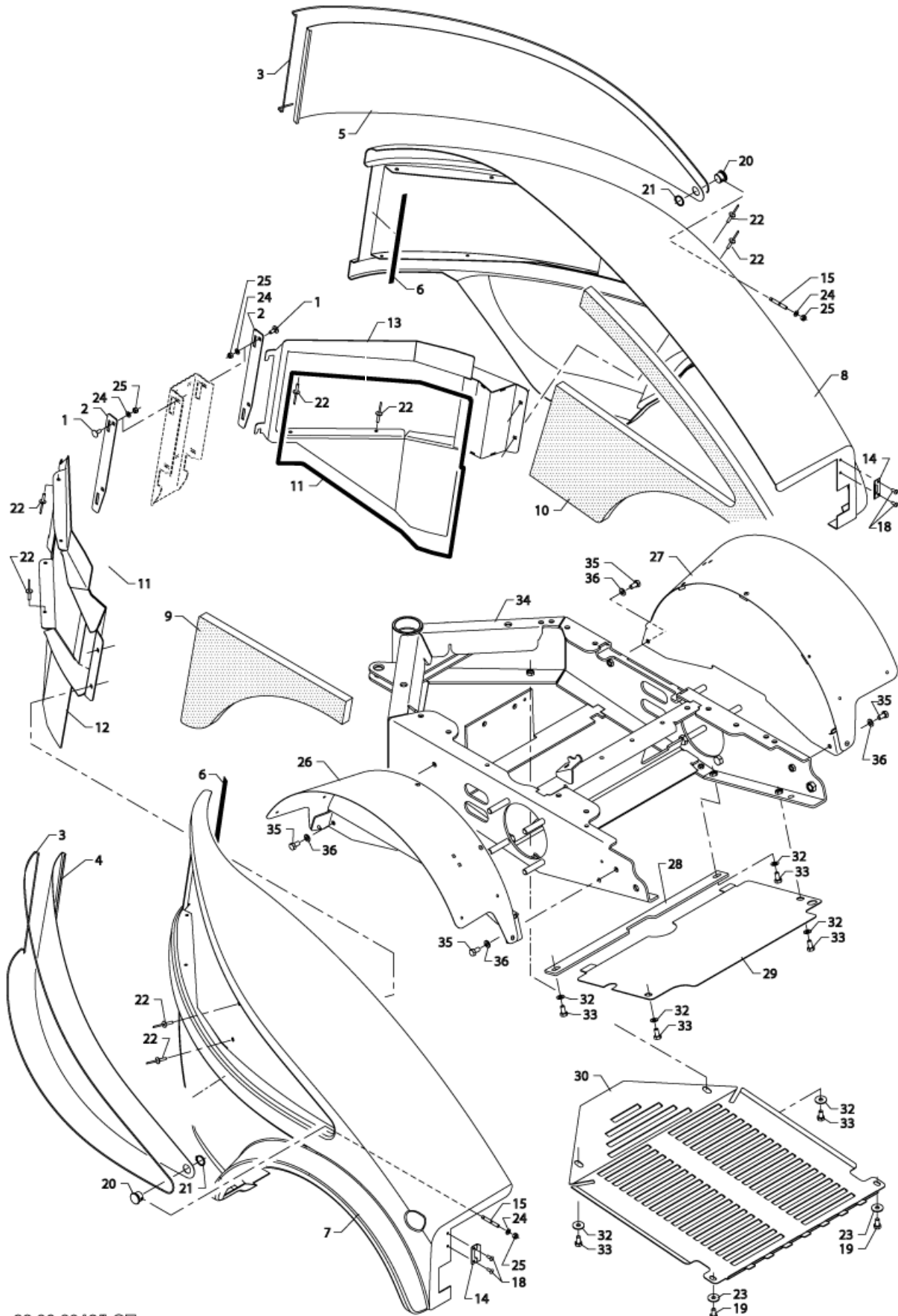
Perkins - Body Rear - E70001021-14B

2250 CHASSIS

03-09-2012

Part List ID
EGH2250PER14

19



22.06.2012/LOT

70001021-14B

Perkins - Body Rear - E70001021-14B

2250 CHASSIS

03-09-2012

Part List ID
EGHZ250PER14

20

Pos	Part no.	Qty	Description
1	E03500010	2	CARRIAGE BOLT
4	E61100604	1	GRILLE FRONT LEFT
5	E61100614	1	GRILLE FRONT RIGHT
6	E01202181	2	MOULDING RIGHT DIN53571 3X20MM
7	E09721340	1	BACK SHIELD LEFT
8	E09721350	1	BACK SHIELD RIGHT
9	E09722970	1	INSULATION PLATE
10	E09722960	1	INSULATION PLATE
12	E61203200	1	HINGE
13	E61201215	1	HINGE
14	E41105030	2	HOOK FOR SHIELD
15	E03709250	2	PIN BOLT
18	E02600060	4	HOSE CLIP
19	E03100080	4	STEEL BOLT
20	E60001724	2	BLOCK F. AIR GRATING
21	E01906035	2	LOCK DISC Ø20 MM
22	E02000080	10	RIVET
23	E03902060	4	SHIELD DISC
24	E03900030	2	DISC
25	E03803040	2	LOCK NUT
26	E61203280	1	MUDGUARD
27	E61203110	1	MUDGUARD
28	E09830820	1	PLATE
29	E41110650	1	BOTTOM PLATE CABIN AISI 304
30	E41110660	1	BOTTOM PLATE CABIN AISI 304
32	E03902020	10	SHIELD DISC
33	E03100140	10	STEEL BOLT
34	E61203090	1	REAR CHASSIS 2250. PERKINS
35	E03100130	10	STEEL BOLT
36	E03900040	10	DISC

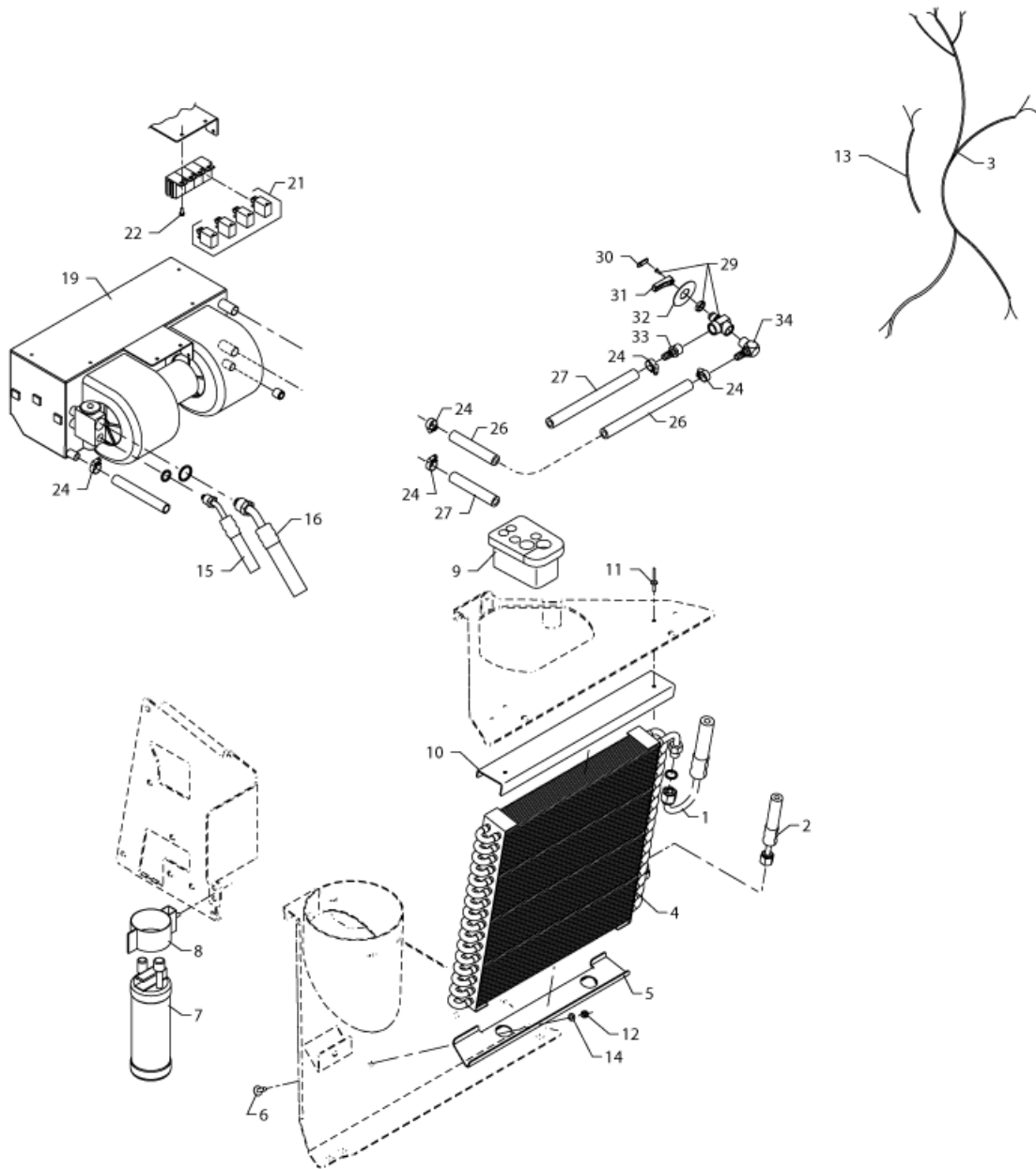
Perkins - Aircondition - E70001021-16A

2250 CHASSIS

03-09-2012

Part List ID
EGH2250PER16

21



02.05.2012

70001021-16A

Perkins - Aircondition - E70001021-16A

2250 CHASSIS

03-09-2012

Part List ID
EGHZ250PER16

22

Pos	Part no.	Qty	Description
1	E04709290	1	HOSE TEE 2250 A/C
2	E04709300	1	HOSE TEE 2250 A/C
3	E30000280	1	WIRING SNOW SWEEPER
4	E01104220	1	AC-COOLER
5	E41110190	1	AC-COOLER HOLDER DX 51D+Z 2MM.
6	E03500005	2	CARRIAGE BOLT FZB 6 - 12 MM
7	E01110280	1	DRY FILTER A/C 2250
8	E01110290	1	WINDOW AND HOSE CLIP
9	E09724400	1	SEALING AT TANK
10	E41105710	1	AC-COOLER HOLDER
11	E02000090	2	RIVET
12	E03803060	2	LOCK NUT
13	E30001040	1	WIRING
14	E03900040	2	DISC
15	E04709280	1	HOSE TEE 2250 A/C
16	E04709310	1	HOSE TEE 2250 A/C
19	E01110260	1	EVAPORATOR RADIATOR 2200
21	E05004115	4	RELAY
22	E03300170	4	MACHINE SCREW
24	E02600020	1	HOSE CLIP
26	E04421060	1	OIL HOSE
27	E04421020	1	OIL HOSE
29	E04707060	1	TAP
30	E04707050	1	GREEN COVER
31	E04707040	1	HANDLE
32	E03001590	1	STICKER
33	E04800050	1	HOSE COUPLING
34	E04800230	1	HOSE COUPLING

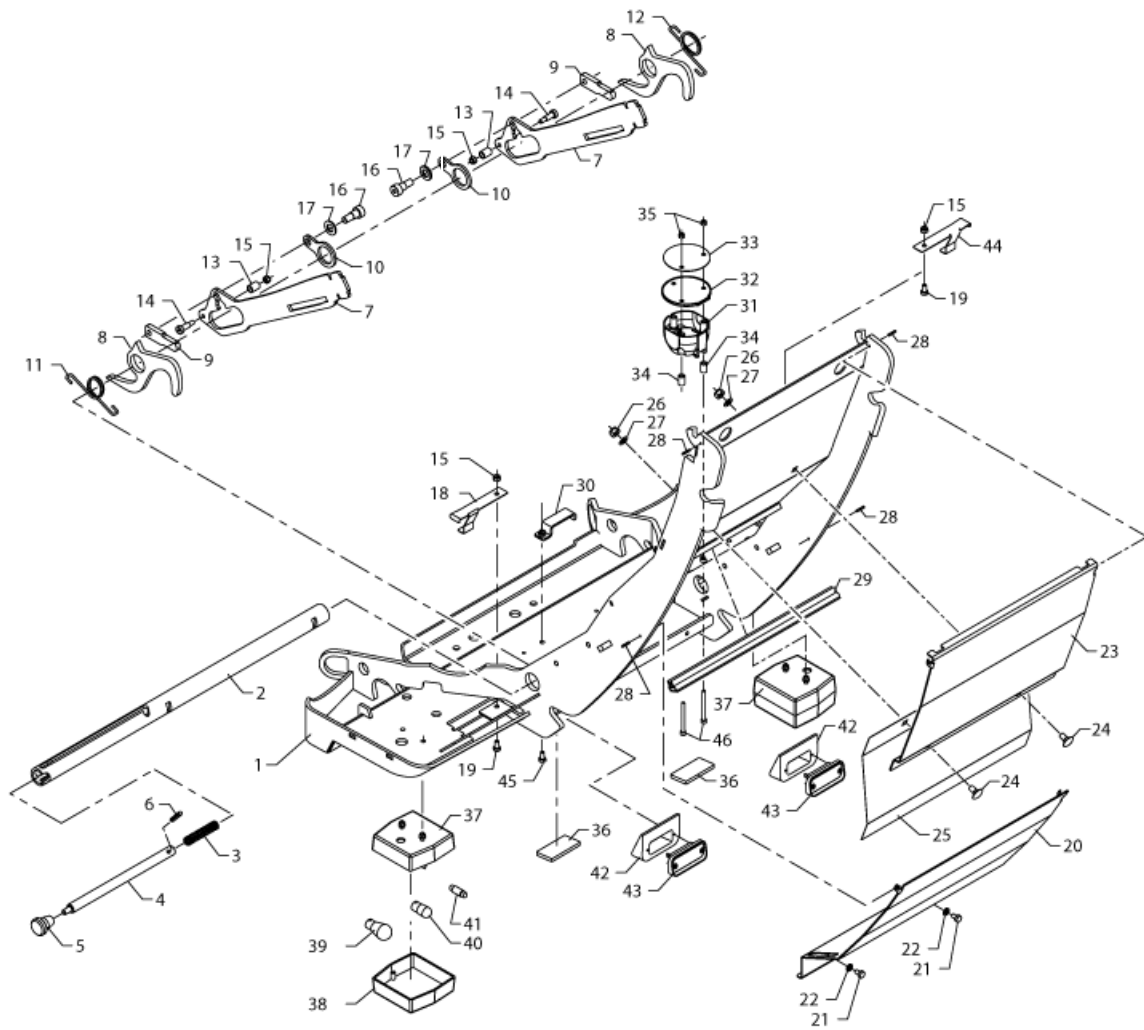
Perkins - Cover + Handle + Stop light + Nut + Sp

2250 CHASSIS

03-09-2012

Part List ID
EGH2250PER21

23



Perkins - Cover + Handle + Stop light + Nut + S

2250 CHASSIS

03-09-2012

Part List ID
EGHZ250PER21

24

Pos	Part no.	Qty	Description
2	E61000138	1	LOCKING AXLE
3	E02201190	1	COMPRESSION SPRING
4	E09920480	1	AXLE FOR HANDLE
5	E09721440	1	HANDLE
6	E01903090	1	TIGHTENING PIN
7	E61000478	1	PINION ASSEMBLY REAR
8	E61000148	1	LOCKING HOOK
9	E61000390	1	CATCH
10	E61000158	1	FITTINGS
11	E09720640	1	SPRING
12	E09720630	1	SPRING
13	E61000218	2	ROLLER ASSEMBLY
14	E03406020	2	BOLT
15	E03803040	2	LOCK NUT
16	E03406030	2	BOLT
17	E03900060	2	DISC
18	E41108130	1	HOOK
19	E03100070	2	STEEL BOLT
20	E41110540	1	PIPE COVER F. HEATER
21	E03100060	2	STEEL BOLT
22	E03900030	2	DISC
23	E61100410	1	COVER PLATE
24	E03500230	2	CARRIAGE BOLT
26	E03803060	2	LOCK NUT
27	E03900040	2	DISC
28	E01903020	4	TIGHTENING PIN
29	E01202280	1	EDGING BEADING
30	E40102580	1	HOSE HOLDER
31	E05007120	1	SOCKET 7-PIN
32	E05007050	1	SUPPORT FOR SOCKET
33	E09825790	1	PIPE COVER F. HEATER
34	E09921750	2	PIPE BUSH
35	E03803030	2	LOCK NUT
36	E03009070	2	REFLEX
37	E05000070	1	REAR STOP LIGHT
38	E05009120	1	LAMP GLASS
39	E05001010	1	BULB
40	E05001110	1	BULB
41	E05001020	1	BULB
42	E09723990	1	PAD
43	E05000230	1	NUMBER PLATE LIGHT
44	E41108140	1	HOOK
45	E03200740	1	SCREW

Perkins - Cover + Handle + Stop light + Nut + S

2250 CHASSIS

03-09-2012

Part List ID
EGHZ250PER21

25

Pos	Part no.	Qty	Description
46	E03404000	2	ALLEN SCREW

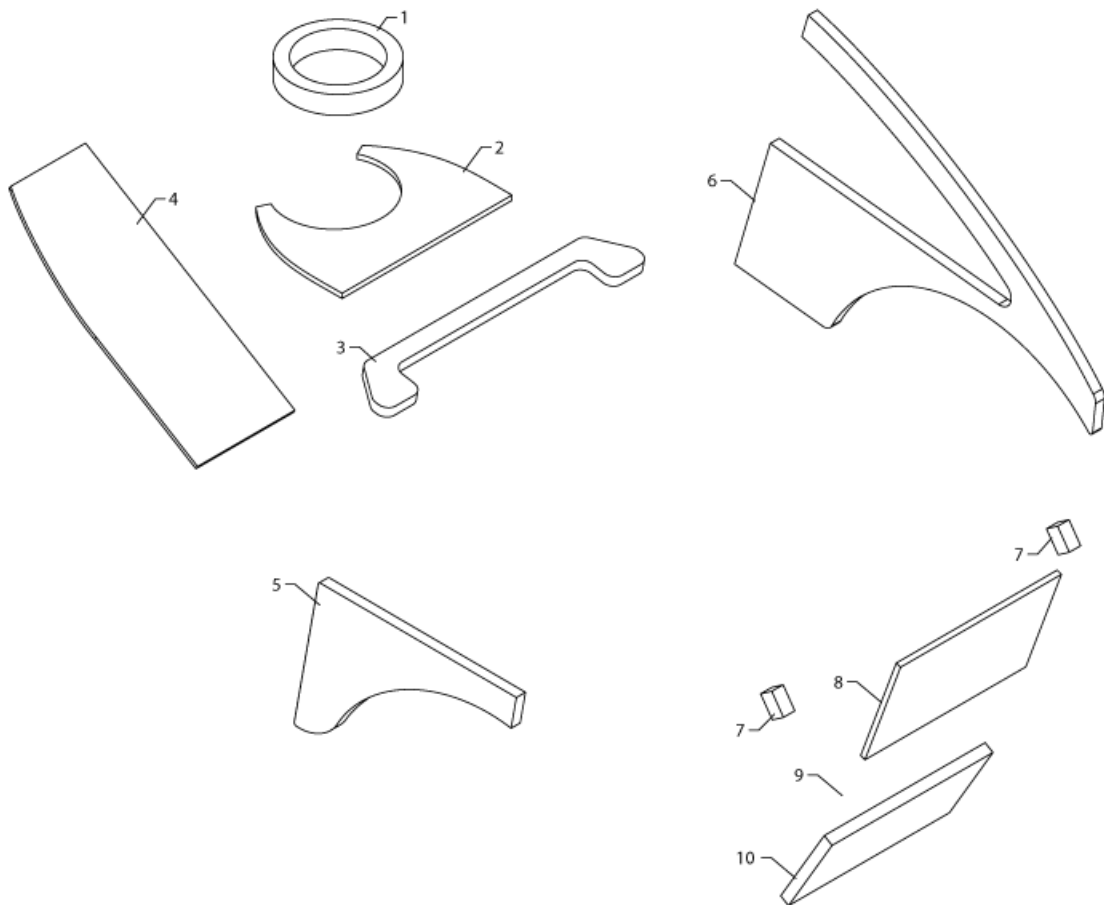
Perkins - Isolation - E70001021-23A

2250 CHASSIS

03-09-2012

Part List ID
EGH2250PER23

26



06.03.2012

70001021-23A

Perkins - Isolation - E70001021-23A

2250 CHASSIS

03-09-2012

Part List ID
EGHZ250PER23

27

Pos	Part no.	Qty	Description
1	E09721860	1	SEAL
2	E09722950	1	INSULATION PLATE
3	E09722840	1	INSULATION PLATE
4	E09722860	1	HEAT COVER
5	E09722970	1	INSULATION PLATE
6	E09722960	1	INSULATION PLATE
7	E09722930	2	DUST SEAL
8	E09722910	1	INSULATION PLATE
9	E01202280	1	EDGING BEADING
10	E09725840	1	INSULATION PLATE