

2250 ATTACHMENTS

Model:
2250 ATTACHMENTS



Part List US-English

11-09-2012

Table of Contents

2250 ATTACHMENTS

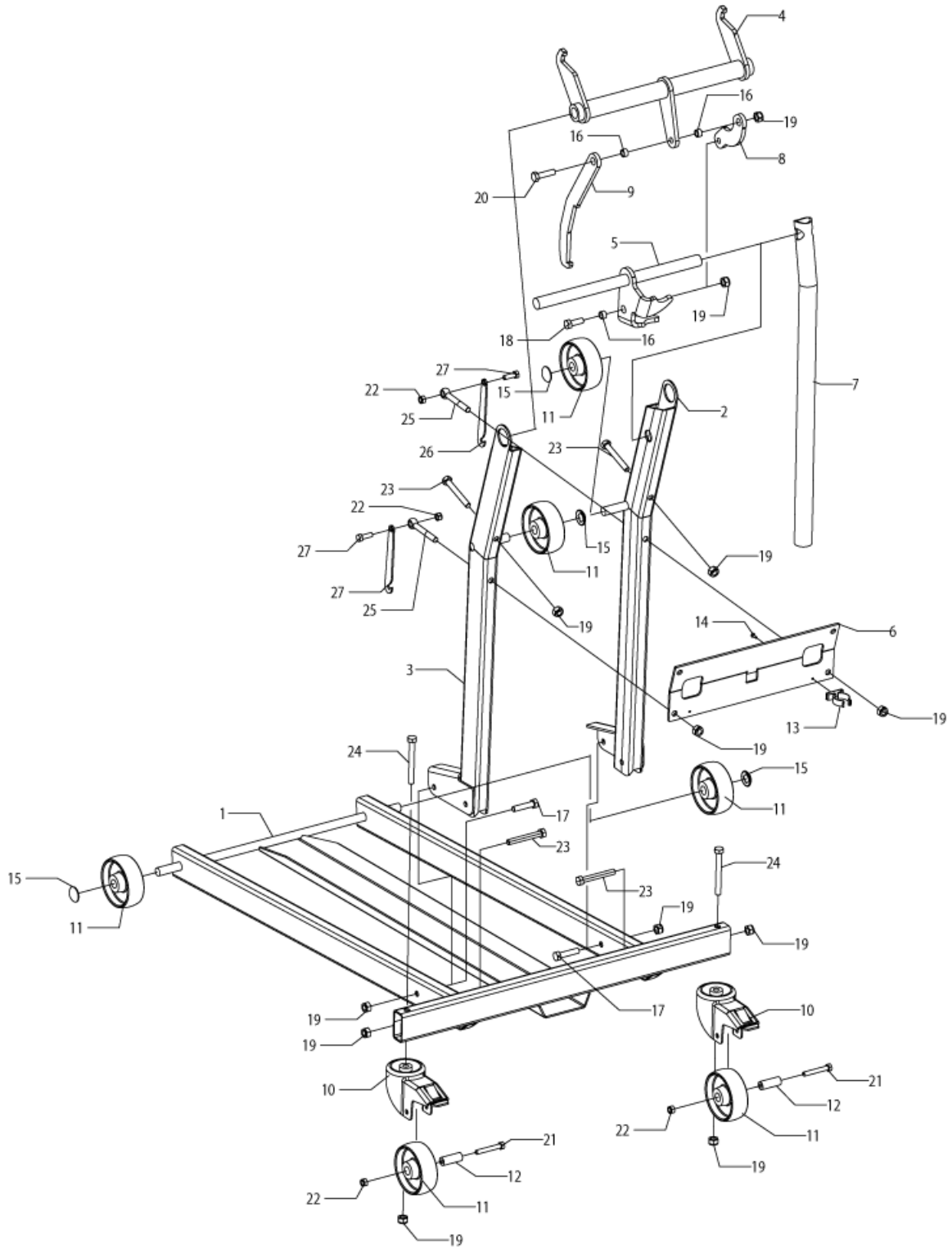
	3
Side Brush 2250 - E70100051	5
Frontbrush 2250 - Frame and nosewheel - E70100061_	8
Frontbrush 2250 - Front Brush - E70100061_2	10
Frontbrush 2250 - Suction mouth - E70100061_3	12
Frontbrush 2250 - Hydraulics - E70100061_4	15
Hopper 2250 w/o HP - Suction hose - E70100071_1_a0	18
Hopper 2250 w/o HP - Turbine - E70100071_2_a001	20
Hopper 2250 w/o HP - Valve - E70100071_3_a001	22
Hopper 2250 w/o HP - Hopper - E70100071_4_a001	24
Hopper 2250 w/o HP - Watertank - E70100071_5_a001	26
Hopper 2250 w/o HP - Hydraulics - E70100071_6_a001	29
Hopper 2250 w. HP - Suction hose - E70100081_1	31
Hopper 2250 w. HP - Turbine - E70100081_2	33
Hopper 2250 w. HP - Valve - E70100081_3	35
Hopper 2250 w. HP - Hopper - E70100081_4	37
Hopper 2250 w. HP - Watertank - E70100081_5	39
Hopper 2250 w. HP - Hydraulics - E70100081_6	42
Weed brush 2250 - A-Frame and hydraulic - 70101141	44
Weed brush 2250 - Brusch, hyd, motor and cylinder	46
Weed brush 2250- Hyd.Block and watersystem - 70101	49
Weed brush 2250 - Hyd.Hoses - 70101141-4	51
Weed brush 2250 - Vacuum nozzle for weed brush - 7	53
Weed brush 2250 - Guard - 70301101-1	55
Rotary/Mulch mower 1200-2250 - Suspension and whee	57
Rotary/Mulch mower 1200-2250 - Hydraulic - 7010116	59
Rotary/Mulch mower 1200-2250 - Gearbox and tooth b	62
Rotary/Mulch mower 1200-2250 - Mulch-kit - 7010116	64
Rotary/Mulch mower 1200-2250 - Collector kit - 701	66
Rotary/Mulch mower grass collector 2250 - Suspensi	68
Rotary/Mulch mower grass collector 2250 - Hydraul	70
Rotary/Mulch mower grass collector 2250 - Gear and	72
Rotary/Mulch mower grass collector 2250 - Schild, i	74
Rotary/Mulch mower 1600-2250 - Suspencion and whee	76
Rotary/Mulch mower 1600-2250 - Hydraulic - 7010124	78
Rotary/Mulch mower 1600-2250 - Knives - 70101241-0	81
Rotary/Mulch mower 1600-2250 - Mulch-kit - 7010124	83
Perkins - Top filter - E70201081-03A	85
Hopper for grass collecting 2250 - Hydraulic, mot	87

Table of Contents

2250 ATTACHMENTS

Hopper for grass collecting 2250 - Damper and mil	90
Hopper for grass collecting 2250 - Chassis and fr	92
Hopper for grass collecting 2250 - Side and top -	94
Hopper for grass collecting 2250 - Tailgate and I	96
Hopper for grass collecting 2250 - Leaf collectio	98
Hopper for grass collecting 2250 - Mounting for I	100
Flail mower/Verticutter 2250 - A-frame and shield	102
Flail mower/Verticutter 2250 - Wheel and brace - 7	104
Flail mower/Verticutter 2250 - Hydraulic, axle and	106
Lawn Edger 2250 - Lawn edger changeable blade - 70	109
Hegde trimmer 2250 - Kniefbeam - 90203161-01a	112
Hegde trimmer 2250 - Knife drive - 90203161-02a	114
Hegde trimmer 2250 -Knife frame - 70101181-03a	116
Hegde trimmer 2250 - Mast and arm - 90203161-04a	118
Tipping shovel 2250 - Showel - 70101111-01a	121
All purpose Tipper trailer 2250 - Tipping trailer	123
All purpose Tipper trailer 2250 - Tipping trailer	125
All purpose Tipper trailer 2250 - Side extensions	127
All purpose Tipper trailer 2250 - Light for tippe	129
Snow sweeper 2250 - Schield, breakjoint, wheel and	131
Snow sweeper 2250 - Brushes - 70101091-3A	134
Snow sweeper 2250 - Hydraulic - 70101091-2A	136
Snow sweeper 2250 - Revers kit - 70101091-04a	139
Salt sand spreder 2250 - Tank and grating - 701010	142
Salt sand spreder 2250 - Hydraulic - 70101081-02A	144
Salt sand spreder 2250 - Stir and spreder plate -	146
Dozer blade 2250 - Hydraulic - 70101281-1A	149
Dozer blade 2250 - Edge- 70101281-2A	151
Snowblower 2250 - Hydraulic, toothbelt and shield	153
Snowblower 2250 - Mill, gear house and helix - 701	155
Snowblower 2250 - Hydraulic and throw-out shield -	158
Snow V-blade 2250 - V-blade, hyd. Hose and carryin	161
Snow V-blade 2250 - Coupling and a-frame - 7010122	163

2250 ATTACHMENTS



11-09-2012

2250 ATTACHMENTS

Part List ID
EGHAI172

4

Pos	Part no.	Qty	Description
0	E70100071	1	HOPPER
4	E61202180	1	LIFT AXLE TANK STAND
12	E20012270	2	WHEEL BUSH
13	E02209510	1	CLIPS Ø32-37
14	E02000030	1	RIVET 3.2 - 12 MM
15	E01906060	4	LOCK DISC Ø16 MM
17	E03200210	2	STEEL BOLT FZB 10 - 45 MM
18	E03100220	1	STEEL BOLT FZB 10 - 30 MM
19	E03803070	12	LOCK NUT FZB 10 MM 8.8
20	E03100240	1	STEEL BOLT FZB 10 - 40 MM
21	E03200400	2	STEEL BOLT FZB 8 - 55 MM
22	E03803060	4	LOCK NUT FZB 8 MM
23	E03200260	4	STEEL BOLT FZB 10 - 75 MM
24	E03200510	2	STEEL BOLT FZB 10 - 90 MM
25	E03709240	2	EYE BOLT M10X80
26	E61000815	2	HOOK F. STAND
27	E03100150	2	STEEL BOLT FZB 8 - 25 MM

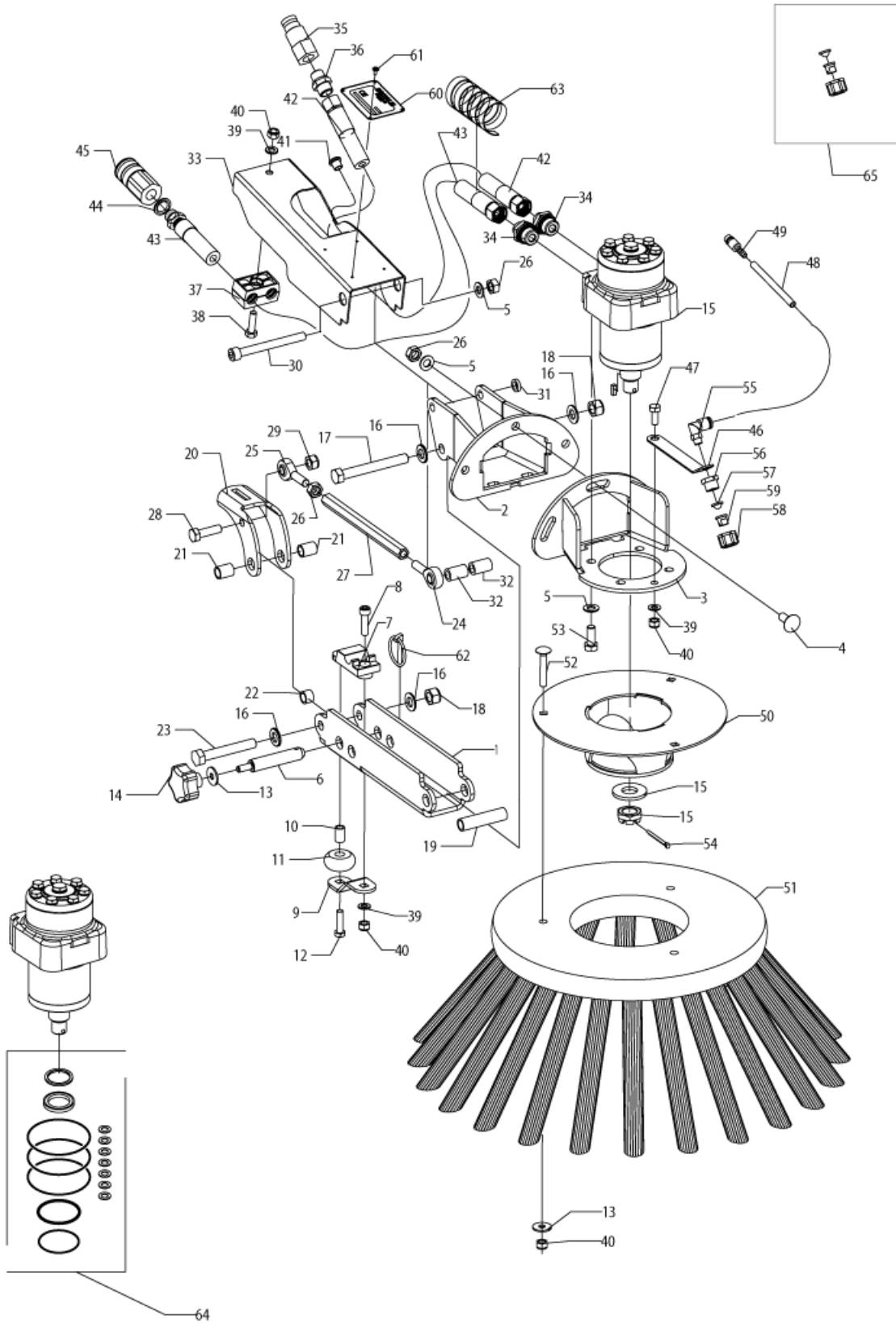
Side Brush 2250 - E70100051

2250 ATTACHMENTS

11-09-2012

Part List ID
EGHATT73

5



Side Brush 2250 - E70100051

2250 ATTACHMENTS

11-09-2012

Part List ID
EGHAI173

6

Pos	Part no.	Qty	Description
0	E70100061	1	FRONT BRUSHES
0	E70101101	1	FRONT BRUSHES
1	E41111100	1	SWEEPER ARM
2	E41204030	1	SWEEPER ARM
3	E41204020	1	MOTOR BRACKET
4	E03500090	3	CARRIAGE BOLT FZB 10 - 25 MM
5	E03900050	10	DISC DIN 125B FZB 10 MM
6	E09924140	1	SHAFT FOR LOCK
7	E09924120	1	LOCK BLOCK
8	E03404130	1	ALLEN SCREW 8-30MM DIN912
9	E61101085	1	PLATE FOR ROLLER
10	E41000790	1	PIPE FOR ROLLER
11	E61000919	1	LIFT ROLLER
12	E03404131	1	ALLEN SCREW M8-30MM DIN7984
13	E03902020	4	SHIELD DISC FZB 8 MM 8.4/24X2
14	E01302170	1	HANDLE
15	E04000500	1	HYDRAULIC MOTOR OMPW
16	E03900060	4	DISC 12 MM
17	E03200390	1	STEEL BOLT FZB 12 - 100 MM
18	E03803080	2	LOCK NUT FZB 12 MM
19	E09924150	1	TUBE SPREADER PLATE Ø16X2 AISI304
20	E61101079	1	SHORT PARALLEL ARM
21	E01702150	2	INNER RING Ø12X16X20
22	E41001140	1	BUSH SIDE BRUSH
23	E03200670	1	STEEL BOLT FZB 12 - 80 MM
24	E01702120	1	BALL AND JOINT
25	E01702130	1	BALL AND JOINT
26	E03800060	5	STEEL NUT FZB 10 MM
27	E61001039	1	STEEL NUT
28	E03100230	1	STEEL BOLT FZB 10 - 35 MM
29	E03803070	1	LOCK NUT FZB 10 MM 8.8
30	E03404315	1	ALLEN SCREW M10X100FZB DIN912
33	E41111120	1	SCREEN SNOW SWEEPER
34	E04120130	2	STRAIGHT SCREWING
35	E04501210	1	HYDRAULIC COUPLING 3/8.
36	E04120120	1	STRAIGHT SCREWING
37	E04503010	1	HYDR. PIPE CLAMP
38	E03100160	1	STEEL BOLT FZB 8 - 30 MM
39	E03900040	3	DISC 8 MM
40	E03803060	6	LOCK NUT FZB 8 MM
41	E02704080	1	RUBBER PASSAGE Ø8 MM
42	E04421390	1	RAPID HYDRAULIC HOSE 3/8. L 255 MM.
43	E04421385	1	RAPID HYDRAULIC HOSE 3/8

Side Brush 2250 - E70100051

2250 ATTACHMENTS

11-09-2012

Part List ID
EGHAI173

7

Pos	Part no.	Qty	Description
44	E04500030	1	SEALING RING 3/8.
45	E04501240	1	HYDRAULIC COUPLING 3/8.
46	E41827780	1	NOZZLE HOLDER
47	E03100140	1	STEEL BOLT FZB 8 - 20 MM
48	E04705030	1	COMPRESSED AIR HOSE
49	E04602120	1	HYD. COUPLING PLUG
50	E61201465	1	BRUSH HOLDER
51	E01103000	1	SIDE BRUSH
52	E03500245	3	CARRIAGE BOLT 8X50 M FZB
53	E03100210	4	STEEL BOLT FZB 10 - 25 MM
54	E01902070	1	SPLIT PIN FZB 4 - 40 MM
55	E04600350	1	ANGLE FITTING R31 8 - 1/8.
56	E04601260	1	REDUCTION
57	E01402050	1	NOZZLE FILTER 610105
58	E01402040	1	NOZZLE UNION HARDI 3/8.
59	E01402100	1	NOZZLE
60	E03000010	1	MODEL PLATE
61	E02000020	4	RIVET 3.0 - 8.0 MM
62	E01905030	1	FUSE PIN 4.5 - 37 MM
63	E04509070	1	PROTECTIVE FLEX
64	E04009440	1	GASKET SET
65	E70501271	1	NOZZLE SET

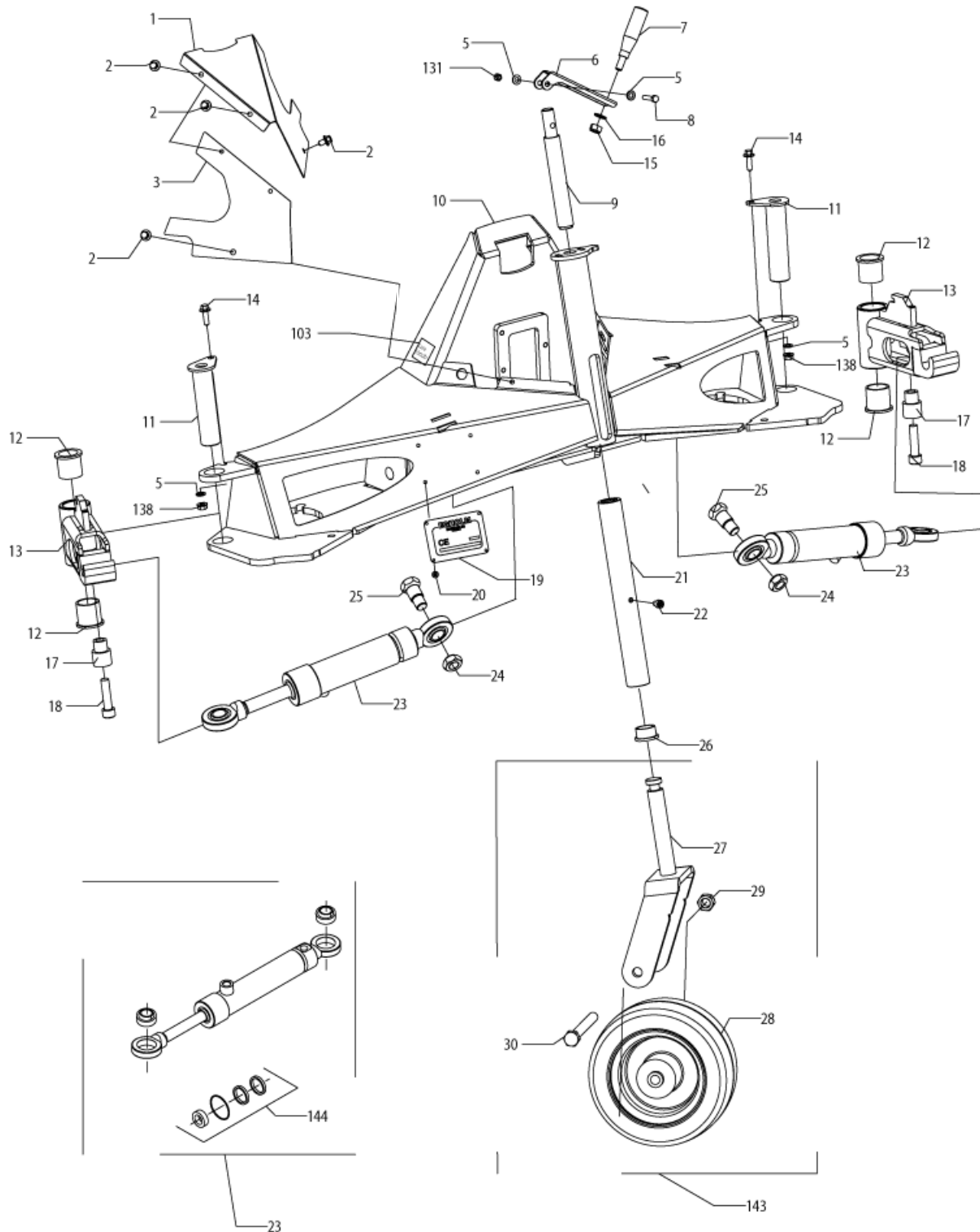
Frontbrush 2250 - Frame and nosewheel - E70100

11-09-2012

Part List ID
EGHATT74

2250 ATTACHMENTS

8



Frontbrush 2250 - Frame and nosewheel - E70100

2250 ATTACHMENTS

11-09-2012

Part List ID

EGHAI174

9

Pos	Part no.	Qty	Description
0	E70100061	1	FRONT BRUSHES
0	E70101101	1	FRONT BRUSHES
1	E61101065	1	SHIELD FRONT BRUSH
2	E03702040	6	SCREW 6-KT.FZB 6X10 MM
3	E61000975	1	COVER FRONT BRUSH
5	E03900030	4	DISC 6 MM
6	E61000955	1	HANDLE
7	E01302190	1	HANDLE
8	E03200000	1	STEEL BOLT 8.8 FZB 5X25
9	E61000939	1	SPINDLE NOSE WHEEL
10	E61201475	1	A-FRAME FRONT BRUSH
11	E61201549	2	AXLE
12	E01704090	4	PLASTIC BEARING 25X30X30 MM
13	E61001469	2	SWIVEL ARM
14	E03702060	2	SCREW 6-KT.FZB 6X20 MM
15	E03803060	9	LOCK NUT FZB 8 MM
16	E03900040	4	DISC 8 MM
17	E61000909	2	CYLINDER
18	E03400170	2	ALLEN SCREW FZB 10 X 40 MM
19	E03000010	1	MODEL PLATE
20	E02000020	4	RIVET 3.0 - 8.0 MM
21	E61000949	1	SPACER PIPE
22	E03400220	1	ALLEN SCREW M6X8 FZB
23	E04502010	2	HYDRAULIC CYLINDER DVL 30/16-70 MM
24	E61000689	2	STEEL NUT 45 CONE
25	E61000428	2	BOLT
26	E01609160	1	COLLAR LINING
27	E61201559	1	WHEEL FORK
28	E01100330	1	WHEEL
29	E03803080	3	LOCK NUT FZB 12 MM
30	E03200490	1	STEEL BOLT FZB 12 - 115 MM
103	E03001650	1	STICKER
131	E03803030	3	LOCK NUT FZB 5 MM
138	E03809120	2	FLANGE NUT F FZB 6 MM
143	E70501041	1	NOSE WHEEL COMPLETE
144	E04509080	1	GASKET SET

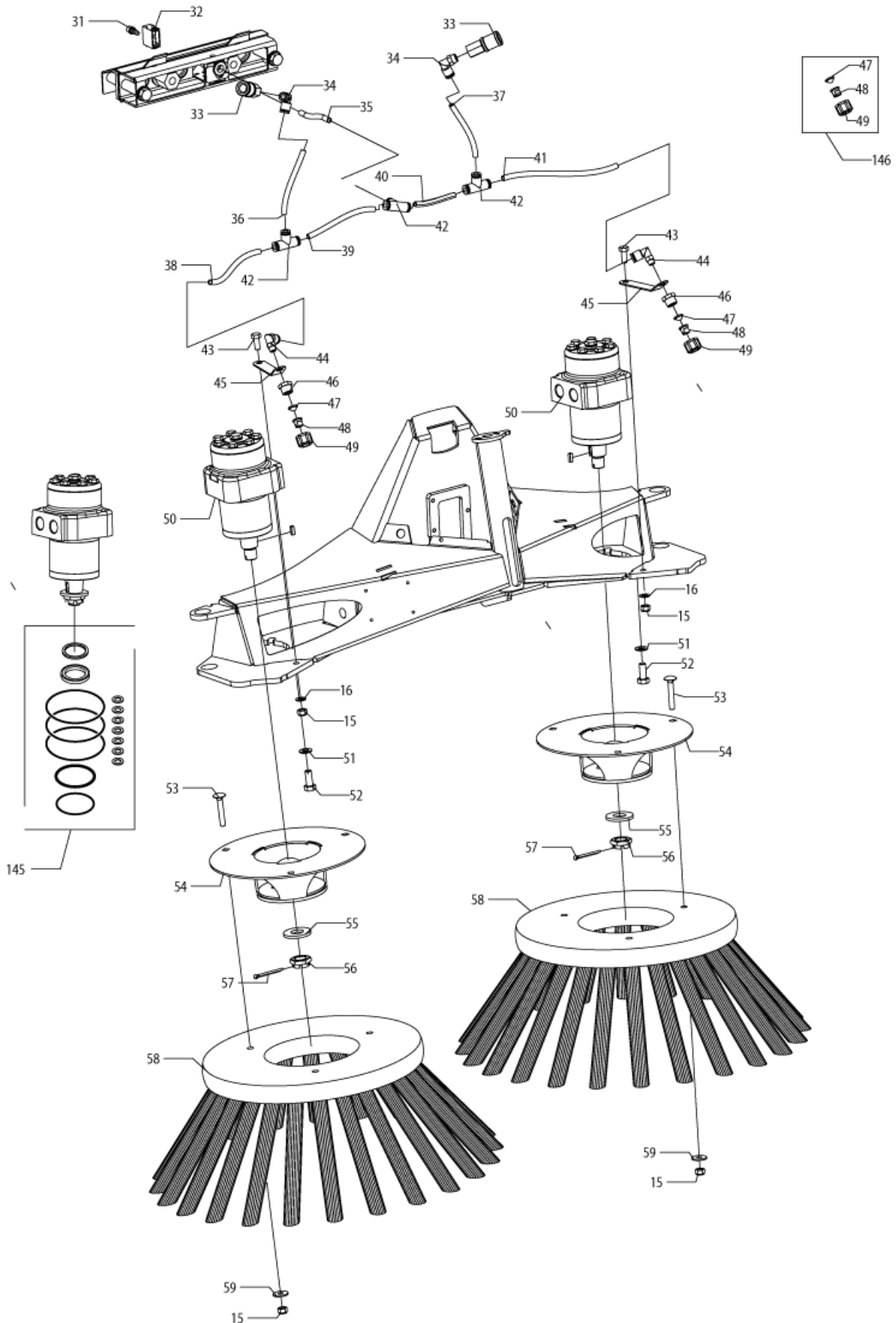
Frontbrush 2250 - Front Brush - E70100061

2250 ATTACHMENTS

11-09-2012

Part List ID
EGHATT75

10



Frontbrush 2250 - Front Brush - E70100061_1

2250 ATTACHMENTS

11-09-2012

Part List ID
EGHAI175

11

Pos	Part no.	Qty	Description
0	E70100061	1	FRONT BRUSHES
0	E70101101	1	FRONT BRUSHES
15	E03803060	9	LOCK NUT FZB 8 MM
16	E03900040	4	DISC 8 MM
31	E05004330	1	WATERCOUPLING
32	E05004350	1	WINDOW AND HOSE CLIP
33	E04602200	2	HYDRAULIC COUPLING 1/4.
34	E04600360	2	ANGLE FITTING R31 8 - 1/4.
35	E04705030	1	COMPRESSED AIR HOSE
36	E04705030	1	COMPRESSED AIR HOSE
37	E04705030	1	COMPRESSED AIR HOSE
38	E04705030	1	COMPRESSED AIR HOSE
39	E04705030	1	COMPRESSED AIR HOSE
40	E04705030	1	COMPRESSED AIR HOSE
41	E04705030	1	COMPRESSED AIR HOSE
42	E04600130	3	FITTING R5 8 MM
43	E03100140	2	STEEL BOLT FZB 8 - 20 MM
44	E04600350	2	ANGLE FITTING R31 8 - 1/8.
45	E09827790	2	NOZZLE HOLDER
46	E04601260	2	REDUCTION
47	E01402050	2	NOZZLE FILTER 610105
48	E01402100	2	NOZZLE
49	E01402040	2	NOZZLE UNION HARDI 3/8.
50	E04000500	2	HYDRAULIC MOTOR OMPW
51	E03900050	10	DISC DIN 125B FZB 10 MM
52	E03100210	8	STEEL BOLT FZB 10 - 25 MM
53	E03500245	6	CARRIAGE BOLT 8X50 M FZB
54	E61201465	2	BRUSH HOLDER
55	E04000500	1	HYDRAULIC MOTOR OMPW
56	E04000500	1	HYDRAULIC MOTOR OMPW
57	E01902070	2	SPLIT PIN FZB 4 - 40 MM
58	E01103000	2	SIDE BRUSH
59	E03902020	6	SHIELD DISC FZB 8 MM 8.4/24X2
145	E04009440	1	GASKET SET
146	E70501271	1	NOZZLE SET

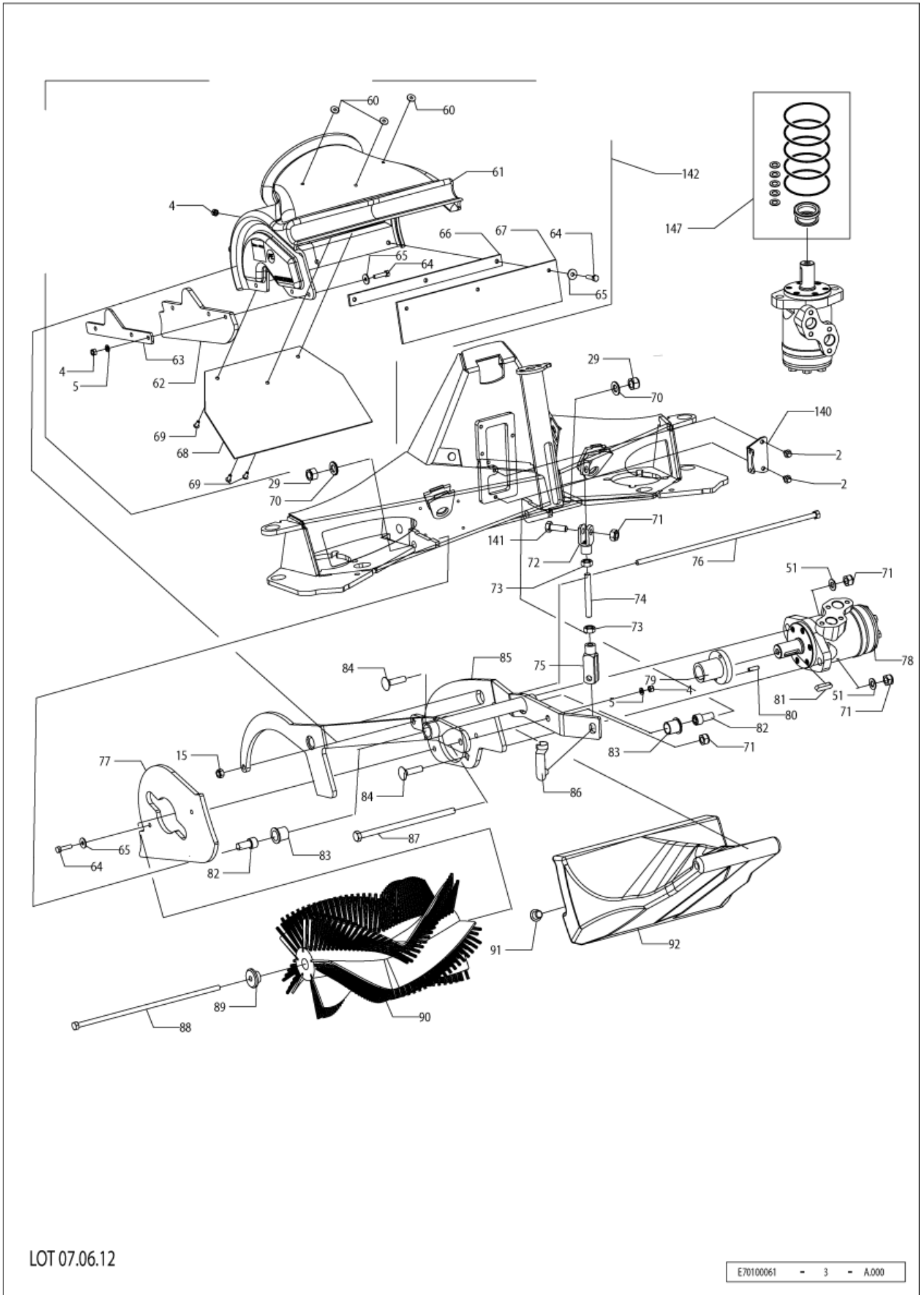
Frontbrush 2250 - Suction mouth - E70100061

2250 ATTACHMENTS

11-09-2012

Part List ID
EGHATT76

12



LOT 07.06.12

Frontbrush 2250 - Suction mouth - E70100061

2250 ATTACHMENTS

11-09-2012

Part List ID
EGHAI 176

13

Pos	Part no.	Qty	Description
0	E70100061	1	FRONT BRUSHES
0	E70101101	1	FRONT BRUSHES
2	E03702040	6	SCREW 6-KT.FZB 6X10 MM
4	E03803040	8	LOCK NUT FZB 6 MM
5	E03900030	4	DISC 6 MM
15	E03803060	9	LOCK NUT FZB 8 MM
29	E03803080	3	LOCK NUT FZB 12 MM
51	E03900050	10	DISC DIN 125B FZB 10 MM
60	E03902000	3	SHIELD DISC FZB 5 MM 5.3/15X1.2
61	E09725760	1	SUCTION UNIT
62	E09725770	1	RUBBER SIDE
63	E09830990	1	IRON BAND AISI 304 4MM
64	E03100100	8	STEEL BOLT FZB 6 - 25 MM
65	E03902010	8	SHIELD DISC FZB 6 MM 6.4/18X1.6
66	E09827820	1	IRON BAND
67	E09723040	1	RUBBER STRIP
68	E09723050	1	PLATE SUCTION HOUSE
69	E02000150	3	RIVET 4.8 - 16.2
70	E03900060	5	DISC 12 MM
71	E03803070	4	LOCK NUT FZB 10 MM 8.8
72	E02100050	1	YOKE JOINT FZB M10 - 20
73	E03800060	2	STEEL NUT FZB 10 MM
74	E09723620	1	THREADED BAR M10X80
75	E02100030	1	YOKE JOINT FZB M10 - 40
76	E61201669	1	STEEL BOLT M8X375
77	E09723100	1	RUBBER SIDE
78	E04000120	1	HYDRAULIC MOTOR OMP 50
79	E60000248	1	BRUSH COUPLING
80	E01903170	1	TIGHTENING PIN 6X20
81	E04000120	1	HYDRAULIC MOTOR OMP 50
82	E03404320	2	ALLEN BOLT M12X25FZB
83	E01609170	2	COLLAR LINING
84	E03500250	2	CARRIAGE BOLT FZB 10 - 40 MM
85	E41204080	1	FRAME SUCTION HOUSE RAL 7021
86	E02101030	1	ES-BOLT FZB M10 - 40
87	E03200800	1	STEEL BOLT M10X200 FZB
88	E03200560	1	STEEL BOLT FZB 8 - 300 MM
89	E60001378	1	HUB
90	E09720480	1	CENTRE BRUSH Ø200X310
91	E02701340	1	STOPPER Ø14.0
92	E09722010	1	FLAP F. VACUUM HEAD
140	E41108860	1	PLATE AISI 304
141	E03100220	1	STEEL BOLT FZB 10 - 30 MM

Frontbrush 2250 - Suction mouth - E70100061

2250 ATTACHMENTS

11-09-2012

Part List ID

EGHAI1176

14

Pos	Part no.	Qty	Description
142	E70501055	1	SUCTION MOUTH 2250
147	E04009080	1	GASKET SET

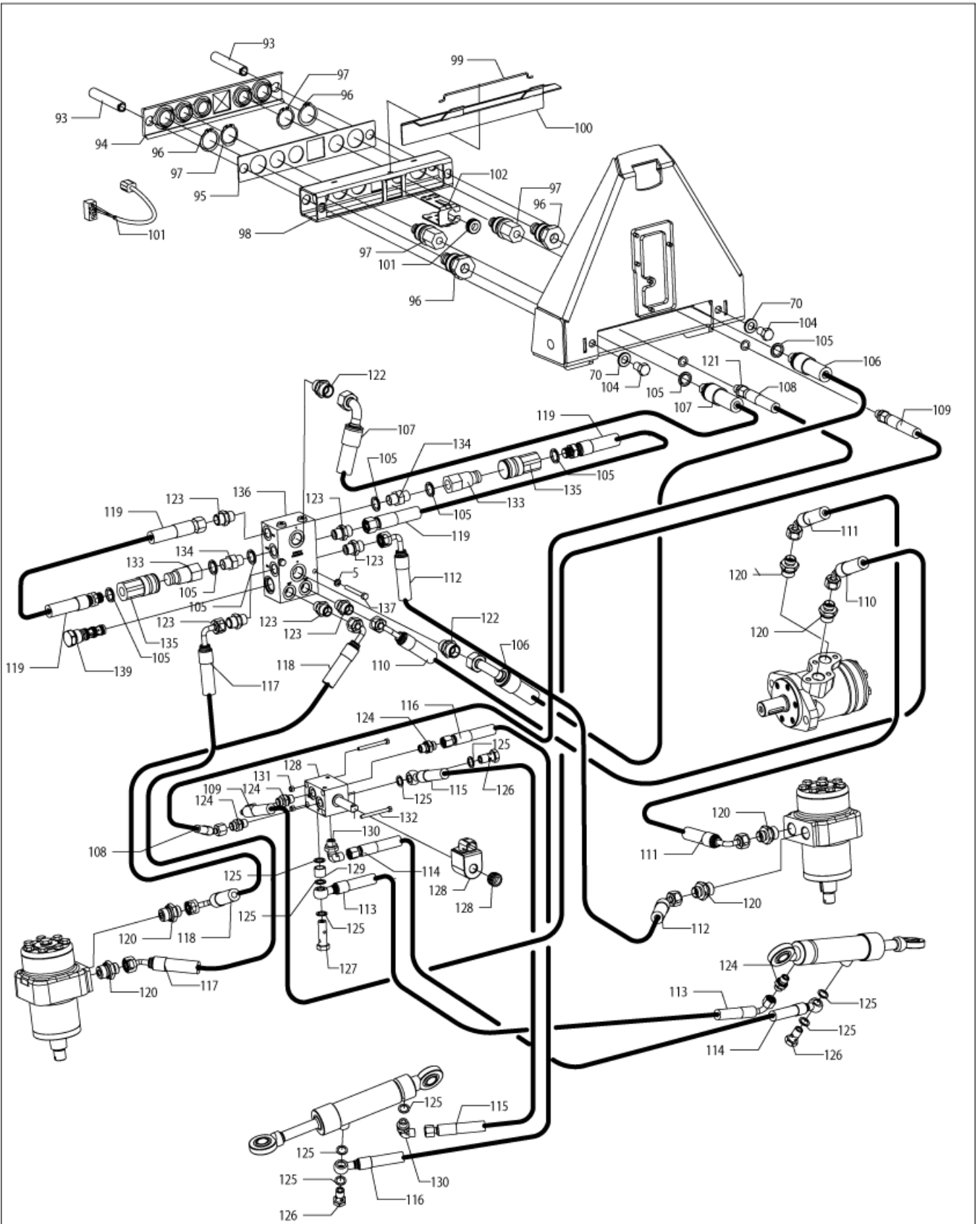
Frontbrush 2250 - Hydraulics - E70100061_4

2250 ATTACHMENTS

11-09-2012

Part List ID
EGHATT77

15



Frontbrush 2250 - Hydraulics - E70100061_4

2250 ATTACHMENTS

11-09-2012

Part List ID
EGHAI177

16

Pos	Part no.	Qty	Description
0	E70100061	1	FRONT BRUSHES
0	E70101101	1	FRONT BRUSHES
5	E03900030	4	DISC 6 MM
70	E03900060	5	DISC 12 MM
93	E61000549	2	BUSH
94	E09722190	1	SEALING
95	E09825060	1	SHIMS
96	E04501420	2	HYDRAULIC COUPLING 3/8. MALE.
97	E04501400	2	HYDRAULIC COUPLING 1/4. MALE.
98	E61000539	1	CLUTCH HOLDER
99	E09722040	1	FLAP
100	E41103700	1	FLAP
101	E30000230	1	WIRING
102	E41104120	1	WINDOW AND HOSE CLIP
104	E03100260	2	STEEL BOLT FZB 12 - 20 MM
105	E04500030	8	SEALING RING 3/8.
106	E04421460	1	RAPID HYDRAULIC HOSE 1/2. L 320 MM.
107	E04421470	1	RAPID HYDRAULIC HOSE 1/2. L 355 MM.
108	E04422110	1	HYDRAULIC HOSE 1/4
109	E04422120	1	HYDRAULIC HOSE 1/4
110	E04421420	1	RAPID HYDRAULIC HOSE 3/8. L 765 MM.
111	E04421410	1	RAPID HYDRAULIC HOSE 3/8. L 405 MM.
112	E04421430	1	RAPID HYDRAULIC HOSE 3/8. L 335 MM.
113	E04422100	1	HYDRAULIC HOSE 1/4.
114	E04422150	1	HYDRAULIC HOSE 1/4
115	E04422130	1	HYDRAULIC HOSE 1/4
116	E04422140	1	HYDRAULIC HOSE 1/4
117	E04421440	1	RAPID HYDRAULIC HOSE 3/8. L 335 MM.
118	E04421450	1	RAPID HYDRAULIC HOSE 3/8. L 360 MM.
119	E04421400	2	RAPID HYDRAULIC HOSE 3/8. 590 MM.
120	E04120130	6	STRAIGHT SCREWING
121	E04120410	1	STRAIGHT SCREWING
122	E04120170	2	STRAIGHT SCREWING
123	E04120120	6	STRAIGHT SCREWING
124	E04120040	5	STRAIGHT SCREWING
125	E03909070	9	COPPER DISC 1/4.
126	E04109060	3	BANJO HYDRAULIC BOLT 1/4.
127	E04109200	1	BANJO HYD. BOLT 1/4.
128	E04001680	1	SWITCH VALVE 6/2 1/4.
129	E09923110	1	PIPE AISI 304
130	E04130510	2	ANGLED SCREWING 1/4.
131	E03803030	3	LOCK NUT FZB 5 MM
132	E03404000	2	ALLEN SCREW 5 - 55 MM

Frontbrush 2250 - Hydraulics - E70100061_4

2250 ATTACHMENTS

11-09-2012

Part List ID
EGHAI177

17

Pos	Part no.	Qty	Description
133	E04501210	2	HYDRAULIC COUPLING 3/8.
134	E04100020	2	HYDR. BUSHING 3/8.
135	E04501240	2	HYDRAULIC COUPLING 3/8.
136	E09922270	1	MANIFOLD FRONT BRUSH
137	E03200420	2	STEEL BOLT FZB 6 - 55 MM
139	E04013610	1	FLOW DIVIDER

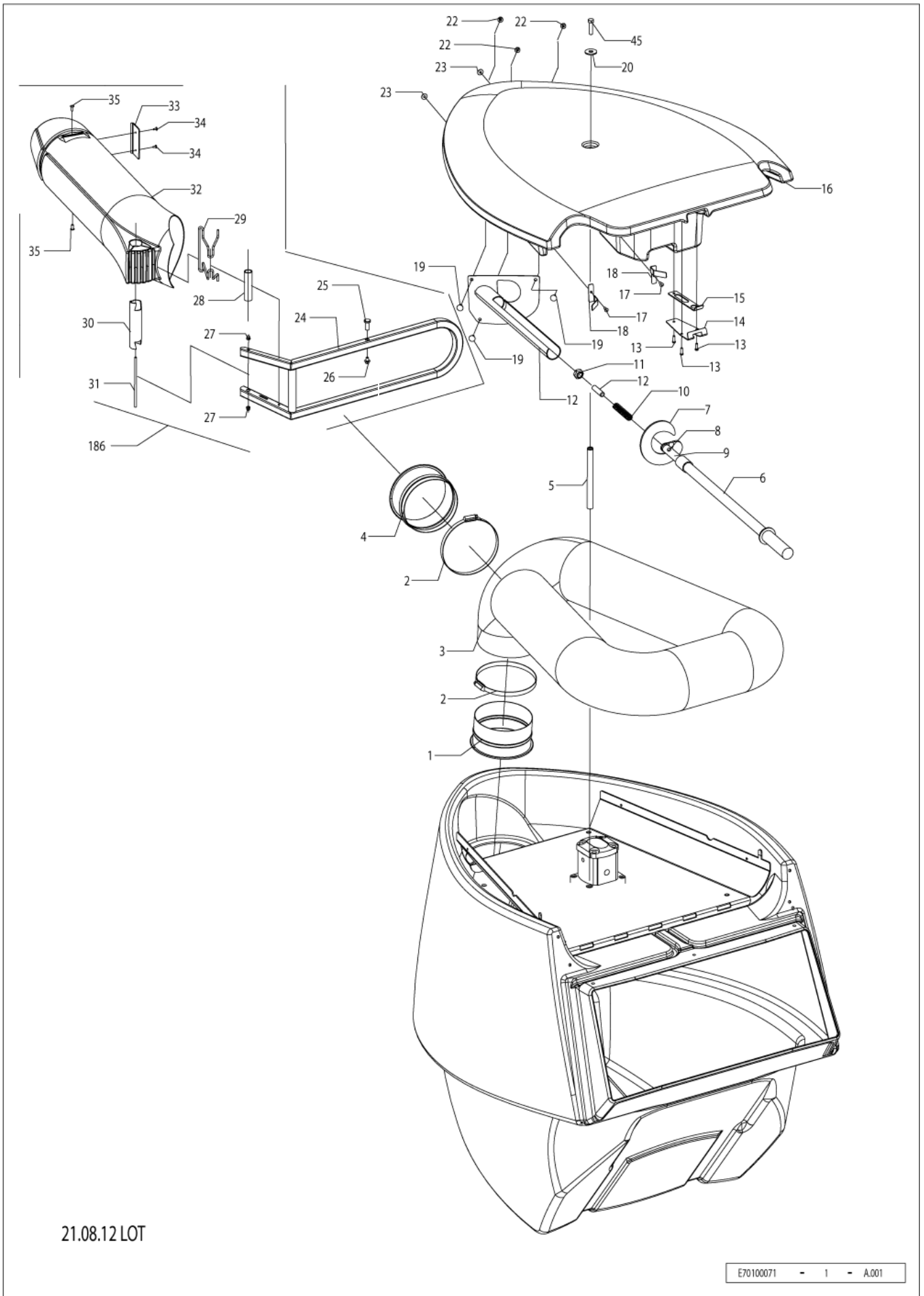
Hopper 2250 w/o HP - Suction hose - E70100071

2250 ATTACHMENTS

11-09-2012

Part List ID
EGHATT78

18



21.08.12 LOT

Hopper 2250 w/o HP - Suction hose - E70100071_

11-09-2012

Part List ID
EGHAI178

2250 ATTACHMENTS

19

Pos	Part no.	Qty	Description
0	E70100071	1	HOPPER
1	E09720900	1	CONNECTING PIECE Ø165
2	E02600120	2	HOSE CLIP 130 - 165 MM
3	E04703000	1	SUCTION PIPE 150 MM
4	E09724820	1	HOSE UNION Ø161
5	E61000789	1	SUSPENSION ROOF
6	E09723030	1	TELESCOPE SHAFT
8	E03200000	1	STEEL BOLT 8.8 FZB 5X25
9	E03803030	1	LOCK NUT FZB 5 MM
10	E02203170	1	COMPRESSION SPRING 517 2.00-16- 80 MM
11	E61000689	1	STEEL NUT 45 CONE
12	E61201605	1	SUSPENSION FRONT
13	E03600090	3	SCREW 5X16
14	E41104820	1	PLATE
15	E41104830	1	LOCK CLIP
16	E09722080	1	ROOF SWEEPER SUCTION
17	E02000090	4	RIVET 4.8 - 12 MM
18	E41106740	2	PLATE FOR EXTERNAL
19	E03500010	3	CARRIAGE BOLT FZB 6 - 16 MM
20	E03902030	2	SHIELD DISC 10 MM 10.5/30X2.5
22	E03809120	39	FLANGE NUT F FZB 6 MM
23	E03902000	2	SHIELD DISC FZB 5 MM 5.3/15X1.2
24	E61201595	1	HANDLE
25	E09922420	1	PIVOT
26	E03702040	1	SCREW 6-KT.FZB 6X10 MM
27	E03809140	2	TOP NUT FZB 5 MM
28	E41105250	1	HANDLE EXTERNAL
29	E09721010	1	LOCK SPRING
30	E41105210	1	EXTERNAL AXLE
31	E61001089	1	THREADED BAR M5 X 140 MM
32	E09721020	1	SUCTION UNIT
33	E41105420	1	WEAR PLATE
34	E02000020	6	RIVET 3.0 - 8.0 MM
35	E02000065	10	RIVET 4.8 - 10 MM
45	E03100170	1	STEEL BOLT FZB 8 - 35 MM
186	E70501001	1	SUCTION UNIT

Hopper 2250 w/o HP - Turbine - E70100071_2_a

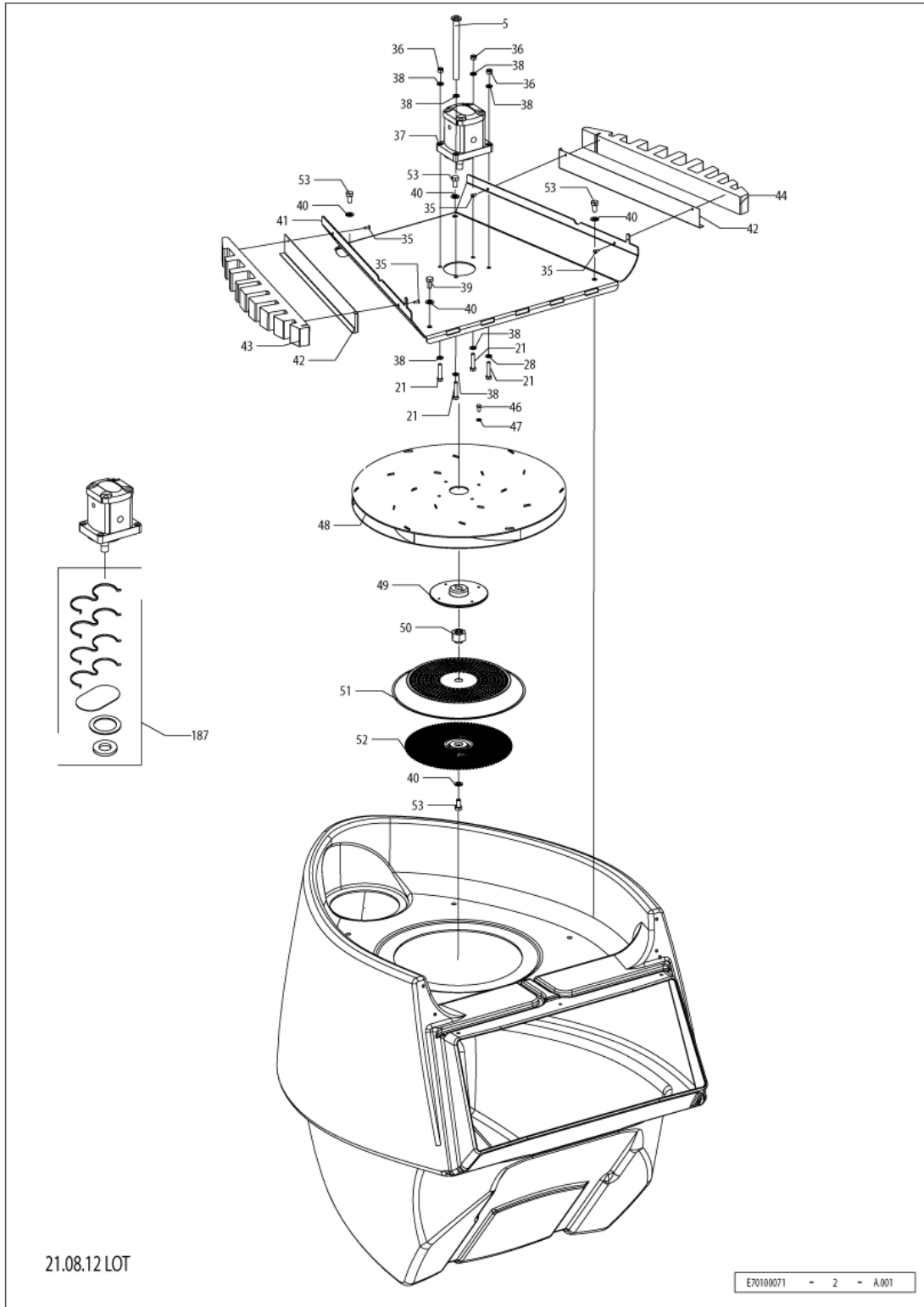
2250 ATTACHMENTS

11-09-2012

Part List ID

EGHATT79

20



SCALE
9:100

Hopper 2250 w/o HP - Turbine - E70100071_2_a

2250 ATTACHMENTS

11-09-2012

Part List ID

EGHAI 179

21

Pos	Part no.	Qty	Description
0	E70100071	1	HOPPER
5	E61000789	1	SUSPENSION ROOF
21	E03100181	4	STEEL BOLT FZB 8 - 40 MM
35	E02000065	10	RIVET 4.8 - 10 MM
36	E03803060	5	LOCK NUT FZB 8 MM
37	E04000580	1	HYDRAULIC MOTOR
38	E03900040	8	DISC 8 MM
40	E03900050	15	DISC DIN 125B FZB 10 MM
41	E41111050	1	SUSPENSION TURBINE
42	E41106800	2	FITTINGS INSULATION
43	E09723260	1	INSULATION PLATE
44	E09723270	1	INSULATION PLATE
46	E03100070	4	STEEL BOLT FZB 6 - 12 MM
47	E03900030	5	DISC 6 MM
48	E20203980	1	TURBINE Ø540
49	E09900500	1	FLANGE HUB
50	E09900530	1	BOLT
51	E09922730	1	PERFORATED PLATE
52	E09709600	1	ROTOR FILTER
53	E03100200	5	STEEL BOLT FZB 10 - 20 MM
187	E04009405	1	GASKET SET

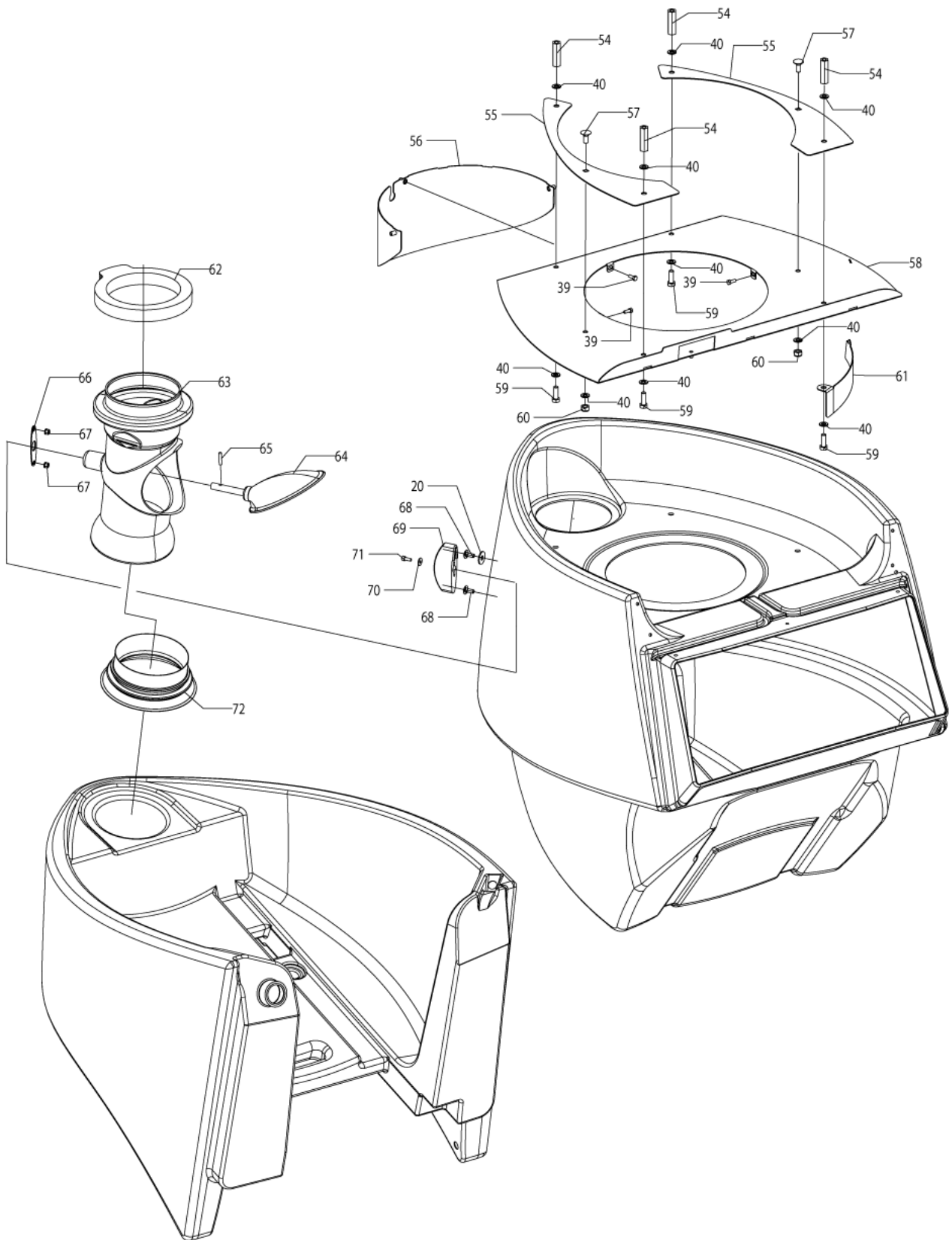
Hopper 2250 w/o HP - Valve - E70100071_3_a0

2250 ATTACHMENTS

11-09-2012

Part List ID
EGHATT80

22



21.08.12 LOT

Hopper 2250 w/o HP - Valve - E70100071_3_a00

2250 ATTACHMENTS

11-09-2012

Part List ID

EGHAI180

23

Pos	Part no.	Qty	Description
0	E70100071	1	HOPPER
20	E03902030	2	SHIELD DISC 10 MM 10.5/30X2.5
39	E03100080	3	STEEL BOLT FZB 6 - 16 MM
40	E03900050	15	DISC DIN 125B FZB 10 MM
54	E61001629	4	STEEL NUT M10X58
55	E61000205	2	REINFORCEMENT
56	E61001920	1	PROTECTION SHIELD
57	E03500090	2	CARRIAGE BOLT FZB 10 - 25 MM
58	E61203245	1	REINFORCEMENT BRACKET
59	E03100220	4	STEEL BOLT FZB 10 - 30 MM
60	E03803070	2	LOCK NUT FZB 10 MM 8.8
61	E41106790	1	PLATE DIVIDER
62	E09722160	1	SEAL TANK INDICATOR
63	E09720940	1	SWITCH VALVE
64	E09722290	1	SWIVEL DAMPER
65	E09922160	1	PIN
66	E09827550	1	SUPPORT PLATE
67	E03809050	4	FLANGE NUT F FZB 8 MM
68	E03500040	2	CARRIAGE BOLT FZB 8 - 20 MM
69	E09722140	1	HANDLE
70	E03902050	1	SHIELD DISC A2 6 MM 6.4/18X1.6
71	E03403070	1	ALLEN SCREW A2 6 - 16 MM
72	E09722150	1	RUBBER SEALING

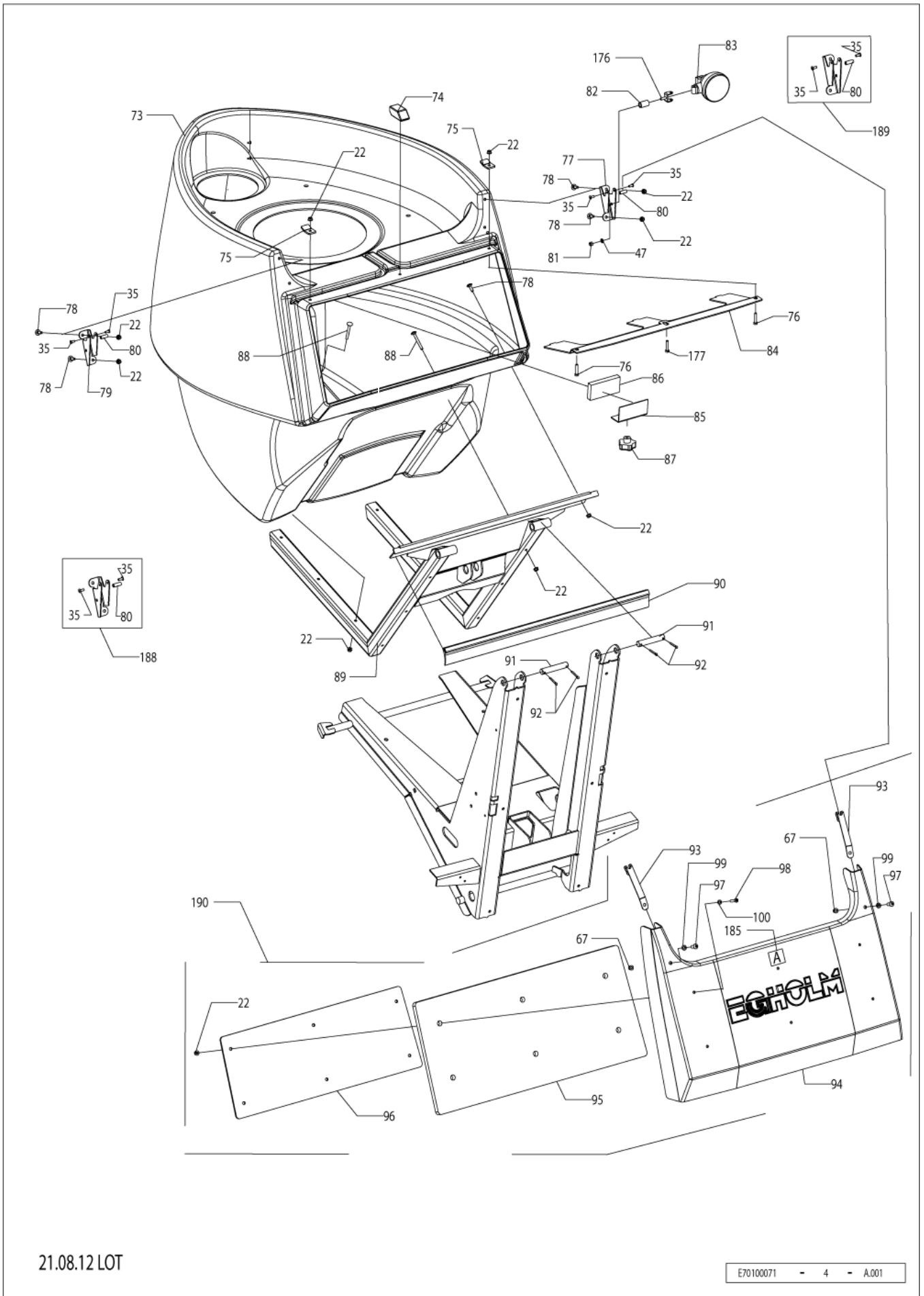
Hopper 2250 w/o HP - Hopper - E70100071_4_a

2250 ATTACHMENTS

11-09-2012

Part List ID
EGHATT81

24



Hopper 2250 w/o HP - Hopper - E70100071_4_a(

2250 ATTACHMENTS

11-09-2012

Part List ID
EGHAI181

25

Pos	Part no.	Qty	Description
0	E70100071	1	HOPPER
22	E03809120	39	FLANGE NUT F FZB 6 MM
35	E02000065	10	RIVET 4.8 - 10 MM
47	E03900030	5	DISC 6 MM
67	E03809050	4	FLANGE NUT F FZB 8 MM
73	E09720330	1	HOPPER
74	E09924200	1	BLOCK POM
75	E09827640	2	CLAMP
76	E03100470	2	STEEL BOLT FZB 6 - 30
77	E41105040	1	HINGE
78	E03500020	8	CARRIAGE BOLT FZB 6 - 20 MM
79	E41105450	1	HINGE
80	E41000650	2	HINGE AXLE
81	E03803040	1	LOCK NUT FZB 6 MM
82	E61000989	1	BUSH SIDE BRUSH
83	E05009760	1	WORKING LIGHT REAR
84	E61100995	1	SUPPORT PLATE
85	E41111070	1	CLEANING DOOR
86	E09725680	1	SEAL CLEANING DOOR
87	E01302170	1	HANDLE
88	E03501070	12	CARRIAGE BOLT FZB 6X55 MM
89	E61200375	1	TANK FRAME
90	E01201080	1	EDGING BEADING
91	E61000899	2	TURNING SHAFT
92	E01902050	4	SPLIT PIN FZB 4 - 25 MM
93	E09722280	2	HINGE LEFT
94	E09722120	1	REAR HATCH HOPPER
95	E09725600	1	SEAL FOR REAR HATCH
96	E09827630	1	PLATE FOR REAR HATCH
97	E03200770	2	SCREW M8X20
98	E03200810	6	SCREW 6X30
99	E02701360	2	PLASTIC DISC 8.1X14X1.0MM
100	E02701350	6	PLASTIC DISC 6.4X12X1.6MM
176	E03100410	1	STEEL BOLT FZB 6 - 40 MM
177	E03100100	1	STEEL BOLT FZB 6 - 25 MM
185	E03001160	1	STICKER
188	E70501021	1	HINGE
189	E70501031	1	HINGE
190	E70501011	1	REAR HATCH

Hopper 2250 w/o HP - Watertank - E70100071_5

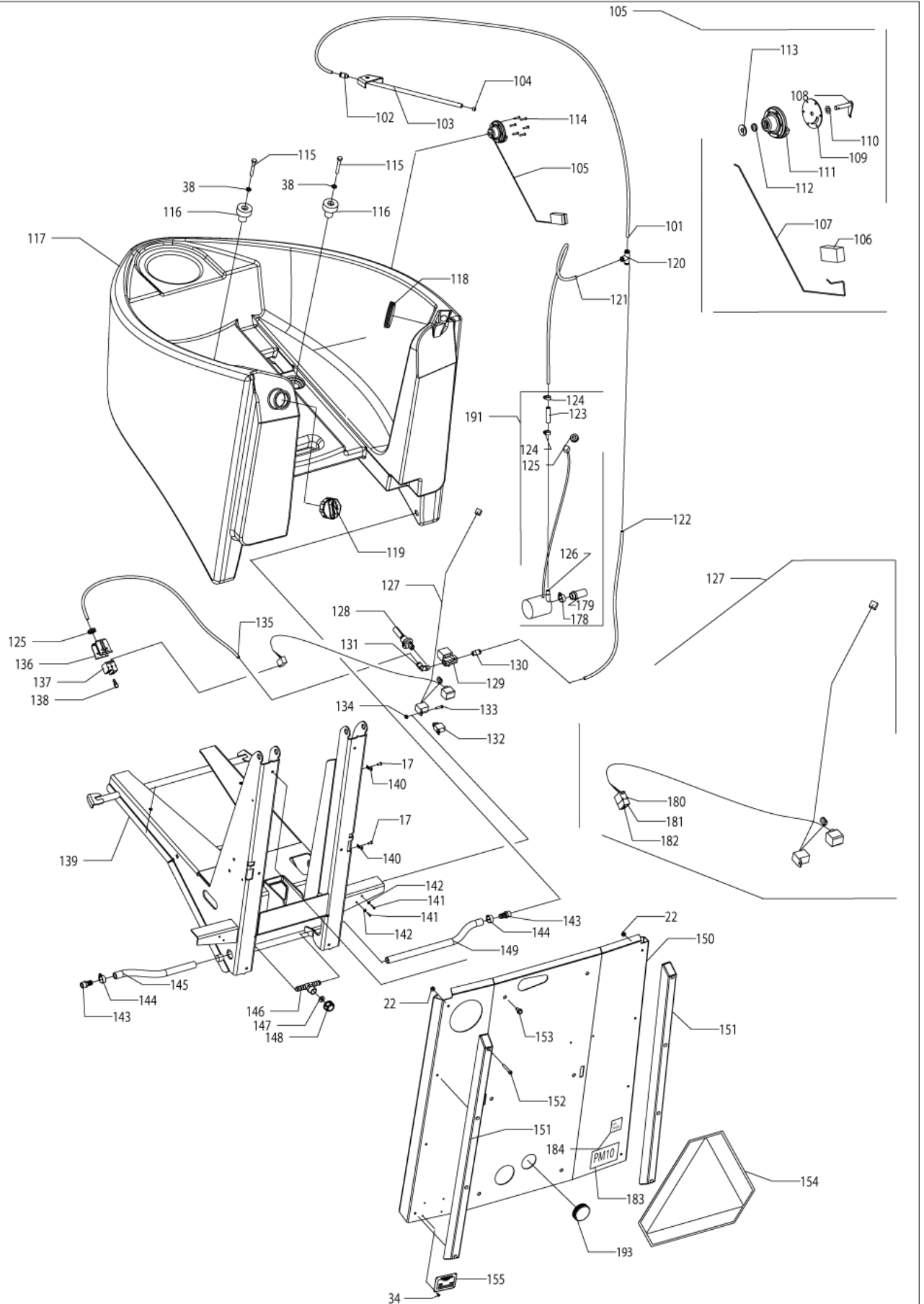
2250 ATTACHMENTS

11-09-2012

Part List ID

EGHATT82

26



21.08.12 LOT

E70100071 - 5 - A.001

Hopper 2250 w/o HP - Watertank - E70100071_5_1

2250 ATTACHMENTS

11-09-2012

Part List ID

EGHAI182

27

Pos	Part no.	Qty	Description
0	E70100071	1	HOPPER
17	E02000090	4	RIVET 4.8 - 12 MM
22	E03809120	39	FLANGE NUT F FZB 6 MM
38	E03900040	8	DISC 8 MM
101	E04705030	2	COMPRESSED AIR HOSE
102	E04601230	1	FITTING 8 MM 1/8 KRG
103	E41201780	1	NOZZLE HOLDER
104	E04601240	1	STOPPER 1/8.
105	E30200750	1	TANK LEVEL INDICATOR
106	E09720730	1	FLOAT
107	E41101750	1	ROD
108	E41200540	1	POINTER COMPLETE
109	E09722520	1	CAP FOR TANK GAUGE CAP FOR TANK GAUGE
110	E03905020	1	DISC A2 8 MM
111	E09720720	1	TANK LEVEL INDICATOR
112	E01800480	1	SEAL RING 8X16X3 MM
113	E03902060	1	SHIELD DISC A2 8 MM 8.4/24X2
114	E03303020	6	MACHINE SCREW LH A2 4 - 20 MM
115	E03200400	2	STEEL BOLT FZB 8 - 55 MM
116	E09922170	2	LOCK BLOCK
117	E09720320	1	WATER TANK
118	E02703000	1	STOPPER 80 MM
119	E01005425	1	TANK CAP
120	E04600130	1	FITTING R5 8 MM
121	E04705030	1	COMPRESSED AIR HOSE
122	E04705030	1	COMPRESSED AIR HOSE
123	E04709070	1	FUEL PIPE
124	E02600010	2	HOSE CLIP 8 - 14 MM
125	E02704060	1	RUBBER PASSAGE Ø12 MM
126	E01400070	1	PUMP 12VDC 15L/MIN10M
127	E30001110	1	WIRING
128	E05004320	1	LEVEL INDICATOR
129	E01403040	1	SOLENOID VALVE 12V/DC
130	E04601250	1	FITTING 8 MM 1/4 KRG
131	E04600360	1	ANGLE FITTING R31 8 - 1/4.
132	E05004115	1	RELAY 12V
133	E03100040	1	STEEL BOLT FZB 5 - 20 MM
134	E03809110	1	FLANGE NUT F FZB 5 MM
135	E04705030	1	COMPRESSED AIR HOSE
136	E41104380	1	ELECTRIC CLIPS
137	E05004350	1	WINDOW AND HOSE CLIP
138	E05004330	1	WATERCOUPLING
139	E61203305	1	TANK CONSOLE

Hopper 2250 w/o HP - Watertank - E70100071_5_1

2250 ATTACHMENTS

11-09-2012

Part List ID

EGHAI182

28

Pos	Part no.	Qty	Description
140	E02603020	2	FIXING HOOK 510 BSL 1 X 8
141	E03303050	2	MACHINE SCREW M3 X 16 PH
142	E03901010	2	TIGHTENING DISC FZB 3 MM
143	E04800325	2	HOSE UNION 3/8GEV. 1/2ST
144	E02600020	2	HOSE CLIP 11 - 17 MM
146	E04800360	1	HOSE COUPLING 1/2. X 16 MM.
147	E02701310	1	SEAL TANK INDICATOR
148	E02701290	1	END SOCKET 1/2.
150	E61200535	1	REAR PLATE F. HOPPER
151	E09725750	2	PLASTIC RAIL
152	E03404010	8	ALLEN SCREW 6 - 40 MM DIN912
153	E03702090	6	SCREW 6-KT.FZB 8X16 MM
154	E03001610	1	WARNING TRIANGLE 45X45
155	E03000010	1	MODEL PLATE
178	E02600030	1	HOSE CLIP 13 - 20 MM
179	E04800640	1	FILTER WATER DIESEL 304
180	E05206510	1	PLUG 2-PIN
181	E05206440	1	SEAL TANK INDICATOR
182	E05201100	2	CABLE SHOE
183	E03001950	1	STICKER PM10. 3 STAR
184	E03001650	1	STICKER
191	E80600028	1	WATER PUMP KIT 2250

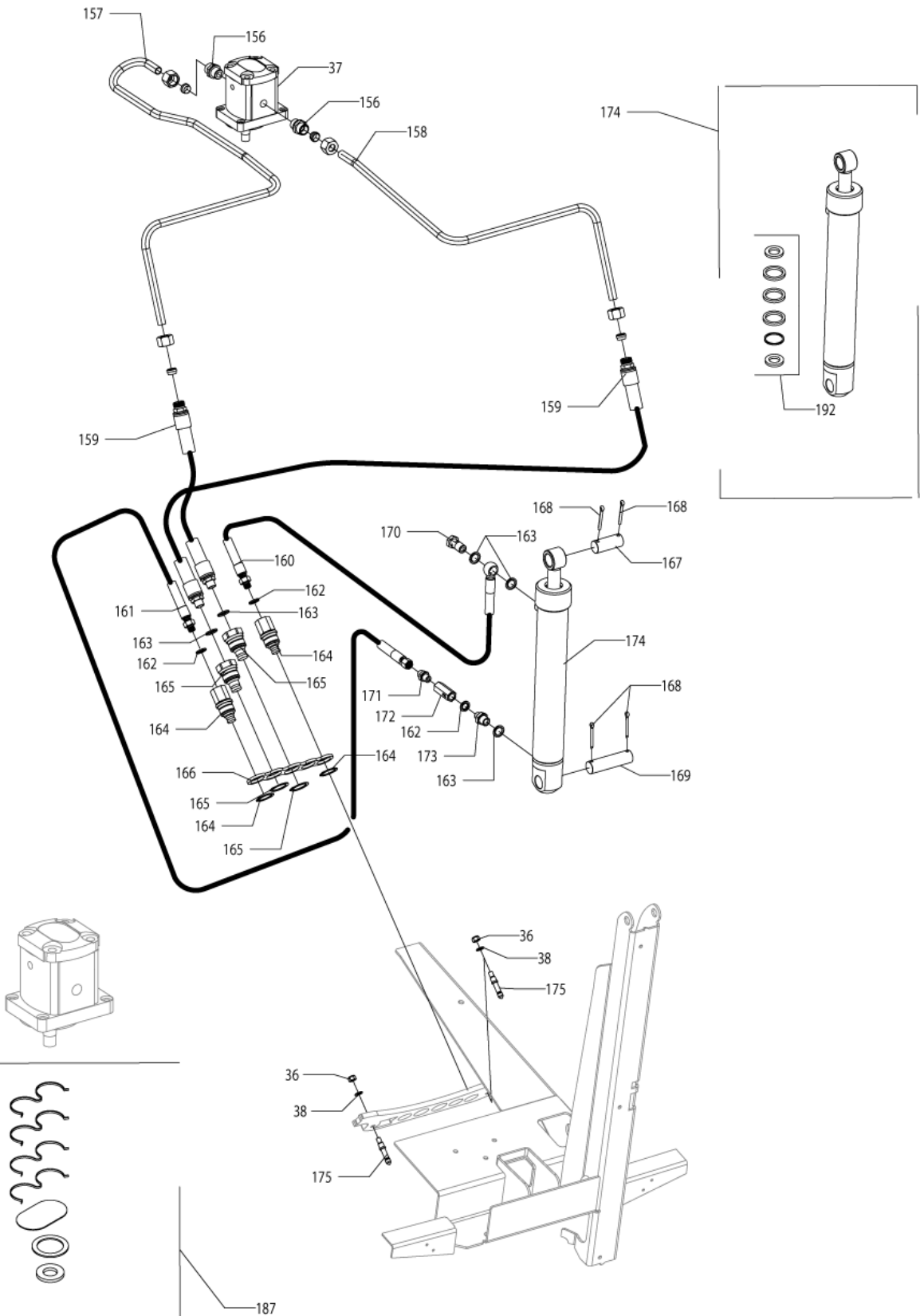
Hopper 2250 w/o HP - Hydraulics - E70100071_6

2250 ATTACHMENTS

11-09-2012

Part List ID
EGHATT83

29



21.08.12 LOT

Hopper 2250 w/o HP - Hydraulics - E70100071_6_

11-09-2012

2250 ATTACHMENTS

Part List ID
EGHAI183

30

Pos	Part no.	Qty	Description
0	E70100071	1	HOPPER
36	E03803060	5	LOCK NUT FZB 8 MM
37	E04000580	1	HYDRAULIC MOTOR
38	E03900040	8	DISC 8 MM
156	E04120170	2	STRAIGHT SCREWING
157	E09722070	1	HYDRAULIC PIPE LEFT
158	E09722060	1	HYDRAULIC PIPE RIGHT
159	E04421250	2	RAPID HYDRAULIC HOSE 1/2. L 1900.
160	E04421230	1	RAPID HYDRAULIC HOSE 1/4. 1000 MM.
161	E04421240	1	RAPID HYDRAULIC HOSE 1/4. 730 MM.
162	E04500020	3	SEALING RING 1/4.
163	E04500030	5	SEALING RING 3/8.
164	E04501400	2	HYDRAULIC COUPLING 1/4. MALE.
165	E04501420	2	HYDRAULIC COUPLING 3/8. MALE.
166	E61000829	1	COUPLING PLATE
167	E61000889	1	TURNING SHAFT
168	E01902080	4	SPLIT PIN FZB 5 - 32 MM
169	E61000879	1	TURNING SHAFT
170	E04109210	1	BANJO HYDRAULIC BOLT 3/8.
171	E04120040	1	STRAIGHT SCREWING
172	E04001660	1	HOSE BREAK VALVE
173	E04100050	1	HYDR. BUSHING 1/4. - 3/8.
174	E04502070	1	HYDRAULIC CYLINDER DV 50/25-280 MM
175	E09923220	2	TAP FOR CONNECTING
187	E04009405	1	GASKET SET
192	E04509120	1	GASKET SET

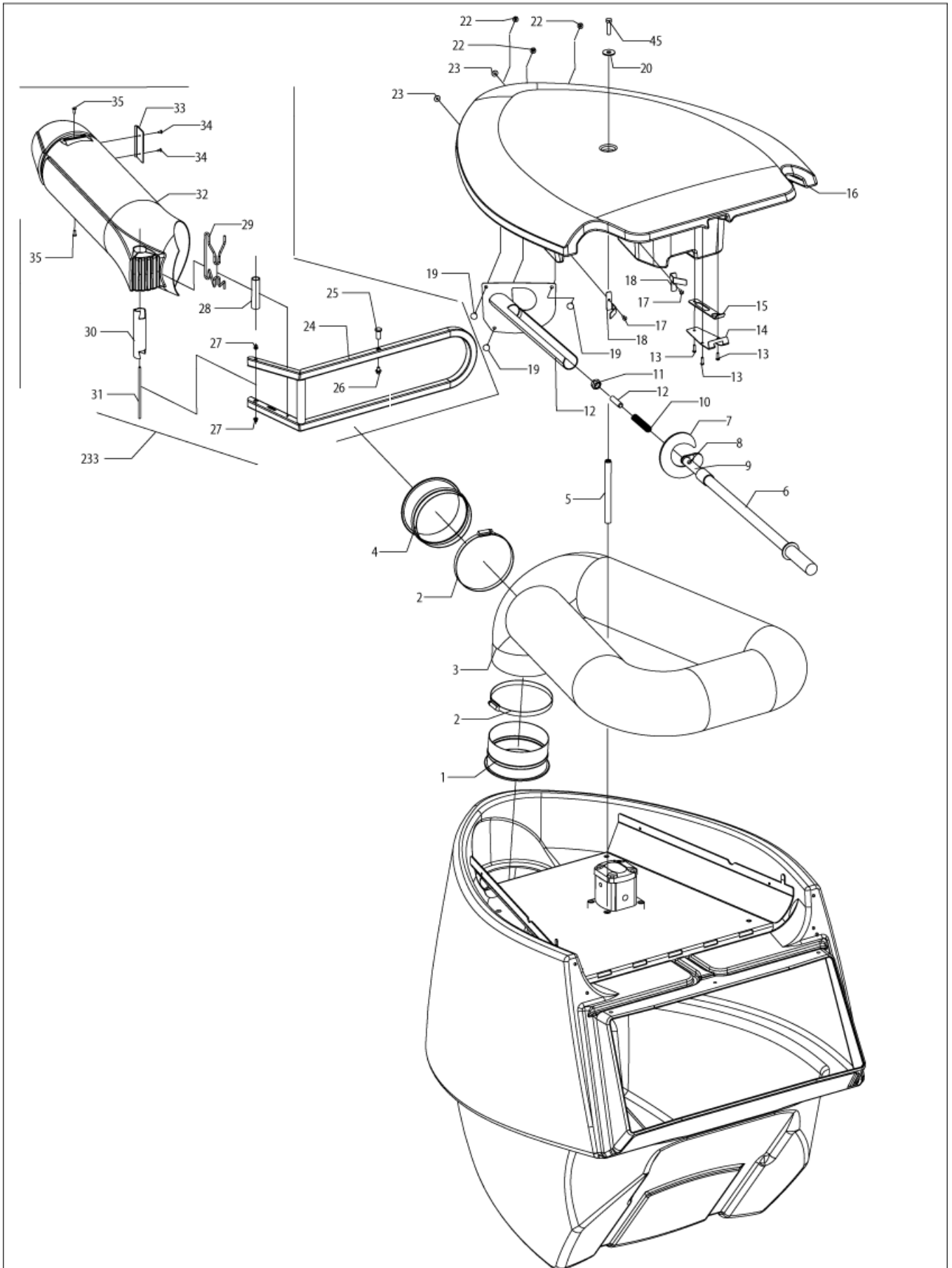
Hopper 2250 w. HP - Suction hose - E70100081

11-09-2012

Part List ID
EGHATT84

2250 ATTACHMENTS

31



07.06.12 LOT

E70100081 - 1 - A.000

Hopper 2250 w. HP - Suction hose - E70100081

2250 ATTACHMENTS

11-09-2012

Part List ID
EGHAI184

32

Pos	Part no.	Qty	Description
0	E70100071	1	HOPPER
1	E09720900	1	CONNECTING PIECE Ø165
2	E02600120	2	HOSE CLIP 130 - 165 MM
3	E04703000	1	SUCTION PIPE 150 MM
4	E09724820	1	HOSE UNION Ø161
5	E61000789	1	SUSPENSION ROOF
6	E09723030	1	TELESCOPE SHAFT
8	E03200000	1	STEEL BOLT 8.8 FZB 5X25
9	E03803030	1	LOCK NUT FZB 5 MM
10	E02203170	1	COMPRESSION SPRING 517 2.00-16- 80 MM
11	E61000689	1	STEEL NUT 45 CONE
12	E61201605	1	SUSPENSION FRONT
13	E03600090	3	SCREW 5X16
14	E41104820	1	PLATE
15	E41104830	1	LOCK CLIP
16	E09722080	1	ROOF SWEEPER SUCTION
17	E02000090	6	RIVET 4.8 - 12 MM
18	E41106740	2	PLATE FOR EXTERNAL
19	E03500010	3	CARRIAGE BOLT FZB 6 - 16 MM
20	E03902030	2	SHIELD DISC 10 MM 10.5/30X2.5
22	E03809120	39	FLANGE NUT F FZB 6 MM
23	E03902000	2	SHIELD DISC FZB 5 MM 5.3/15X1.2
24	E61201595	1	HANDLE
25	E09922420	1	PIVOT
26	E03702040	1	SCREW 6-KT.FZB 6X10 MM
27	E03809140	2	TOP NUT FZB 5 MM
28	E41105250	1	HANDLE EXTERNAL
29	E09721010	1	LOCK SPRING
30	E41105210	1	EXTERNAL AXLE
31	E61001089	1	THREADED BAR M5 X 140 MM
32	E09721020	1	SUCTION UNIT
33	E41105420	1	WEAR PLATE
34	E02000020	6	RIVET 3.0 - 8.0 MM
35	E02000065	10	RIVET 4.8 - 10 MM
45	E03100170	1	STEEL BOLT FZB 8 - 35 MM
233	E70501001	1	SUCTION UNIT

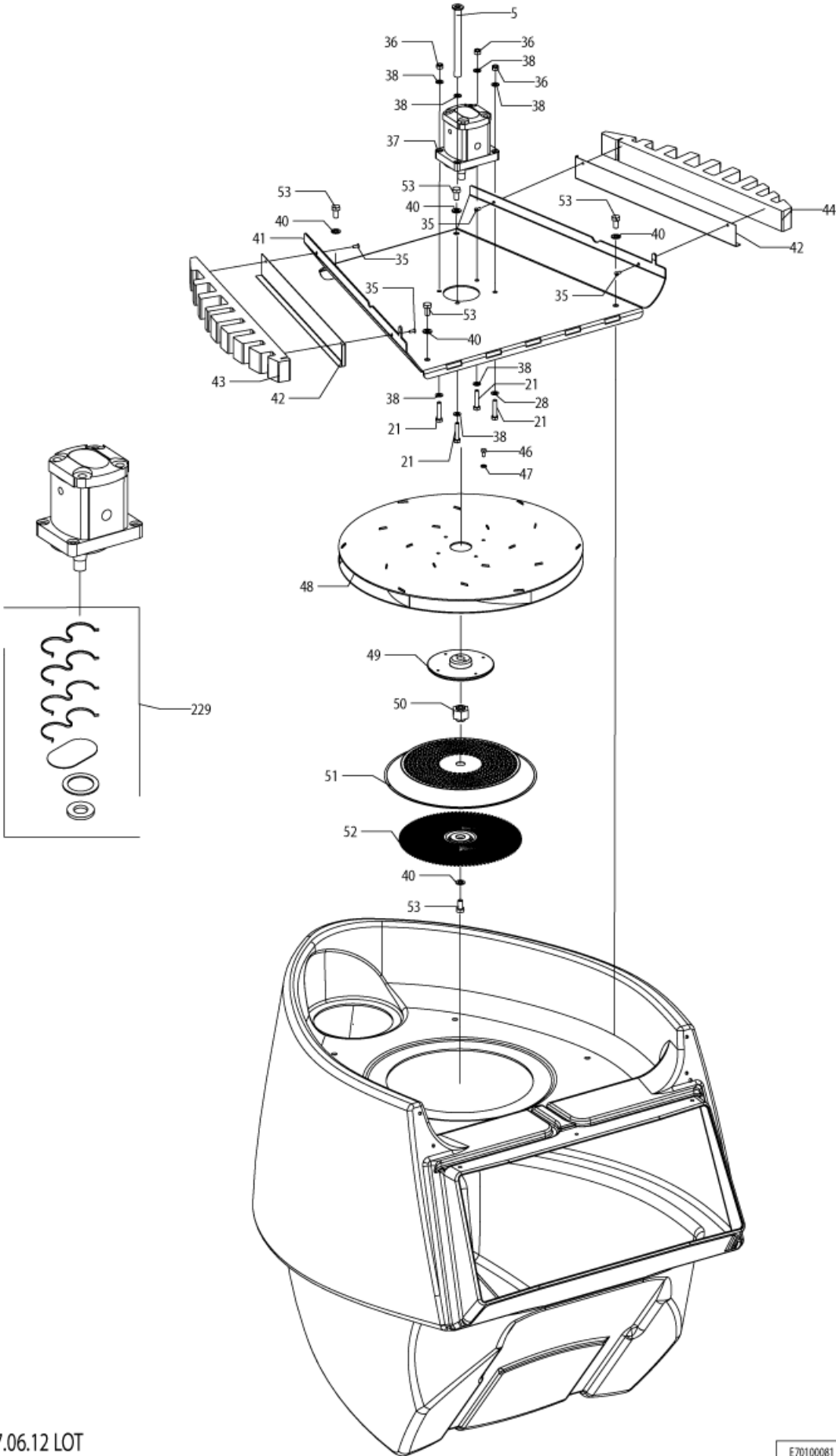
Hopper 2250 w. HP - Turbine - E70100081_2

2250 ATTACHMENTS

11-09-2012

Part List ID
EGHATT85

33



Hopper 2250 w. HP - Turbine - E70100081_2

2250 ATTACHMENTS

11-09-2012

Part List ID

EGHAI185

34

Pos	Part no.	Qty	Description
0	E70100071	1	HOPPER
5	E61000789	1	SUSPENSION ROOF
21	E03100181	4	STEEL BOLT FZB 8 - 40 MM
35	E02000065	10	RIVET 4.8 - 10 MM
36	E03803060	12	LOCK NUT FZB 8 MM
37	E04000580	1	HYDRAULIC MOTOR
38	E03900040	21	DISC 8 MM
40	E03900050	15	DISC DIN 125B FZB 10 MM
41	E41111050	1	SUSPENSION TURBINE
42	E41106800	2	FITTINGS INSULATION
43	E09723260	1	INSULATION PLATE
44	E09723270	1	INSULATION PLATE
46	E03100070	4	STEEL BOLT FZB 6 - 12 MM
47	E03900030	5	DISC 6 MM
48	E20203980	1	TURBINE Ø540
49	E09900500	1	FLANGE HUB
50	E09900530	1	BOLT
51	E09922730	1	PERFORATED PLATE
52	E09709600	1	ROTOR FILTER
53	E03100200	5	STEEL BOLT FZB 10 - 20 MM
229	E04009405	1	GASKET SET

Hopper 2250 w. HP - Valve - E70100081_3

2250 ATTACHMENTS

11-09-2012

Part List ID
EGHAI186

36

Pos	Part no.	Qty	Description
0	E70100071	0	HOPPER
20	E03902030	2	SHIELD DISC 10 MM 10.5/30X2.5
39	E03100080	3	STEEL BOLT FZB 6 - 16 MM
40	E03900050	15	DISC DIN 125B FZB 10 MM
54	E61001629	4	STEEL NUT M10X58
55	E61000205	2	REINFORCEMENT
56	E61001920	1	PROTECTION SHIELD
57	E03500090	2	CARRIAGE BOLT FZB 10 - 25 MM
58	E61203245	1	REINFORCEMENT BRACKET
59	E03100220	4	STEEL BOLT FZB 10 - 30 MM
60	E03803070	2	LOCK NUT FZB 10 MM 8.8
61	E41106790	1	PLATE DIVIDER
62	E09722160	1	SEAL TANK INDICATOR
63	E09720940	1	SWITCH VALVE
64	E09722290	1	SWIVEL DAMPER
65	E09922160	1	PIN
66	E09827550	1	SUPPORT PLATE
67	E03809050	4	FLANGE NUT F FZB 8 MM
68	E03500040	2	CARRIAGE BOLT FZB 8 - 20 MM
69	E09722140	1	HANDLE
70	E03902050	1	SHIELD DISC A2 6 MM 6.4/18X1.6
71	E03403070	1	ALLEN SCREW A2 6 - 16 MM
72	E09722150	1	RUBBER SEALING

Hopper 2250 w. HP - Hopper - E70100081_4

2250 ATTACHMENTS

11-09-2012

Part List ID
EGHAI187

38

Pos	Part no.	Qty	Description
0	E70100071	1	HOPPER
22	E03809120	39	FLANGE NUT F FZB 6 MM
35	E02000065	10	RIVET 4.8 - 10 MM
47	E03900030	5	DISC 6 MM
73	E09720330	1	HOPPER
74	E09924200	1	BLOCK POM
75	E09827640	2	CLAMP
76	E03100470	2	STEEL BOLT FZB 6 - 30
77	E41105040	1	HINGE
78	E03500020	8	CARRIAGE BOLT FZB 6 - 20 MM
79	E41105450	1	HINGE
80	E41000650	2	HINGE AXLE
81	E03803040	1	LOCK NUT FZB 6 MM
82	E61000989	1	BUSH SIDE BRUSH
83	E05009760	1	WORKING LIGHT REAR
84	E61100995	1	SUPPORT PLATE
85	E41111070	1	CLEANING DOOR
86	E09725680	1	SEAL CLEANING DOOR
87	E01302170	1	HANDLE
88	E03501070	12	CARRIAGE BOLT FZB 6X55 MM
89	E61200375	1	TANK FRAME
90	E01201080	1	EDGING BEADING
91	E61000899	2	TURNING SHAFT
92	E01902050	4	SPLIT PIN FZB 4 - 25 MM
93	E09722280	2	HINGE LEFT
94	E09722120	1	REAR HATCH HOPPER
95	E09725600	1	SEAL FOR REAR HATCH
96	E09827630	1	PLATE FOR REAR HATCH
97	E03200770	2	SCREW M8X20
98	E03200810	6	SCREW 6X30
99	E02701360	2	PLASTIC DISC 8.1X14X1.0MM
100	E02701350	6	PLASTIC DISC 6.4X12X1.6MM
176	E03100410	1	STEEL BOLT FZB 6 - 40 MM
177	E03100100	1	STEEL BOLT FZB 6 - 25 MM
185	E03001160	1	STICKER
230	E70501021	1	HINGE
231	E70501031	1	HINGE
232	E70501011	1	REAR HATCH

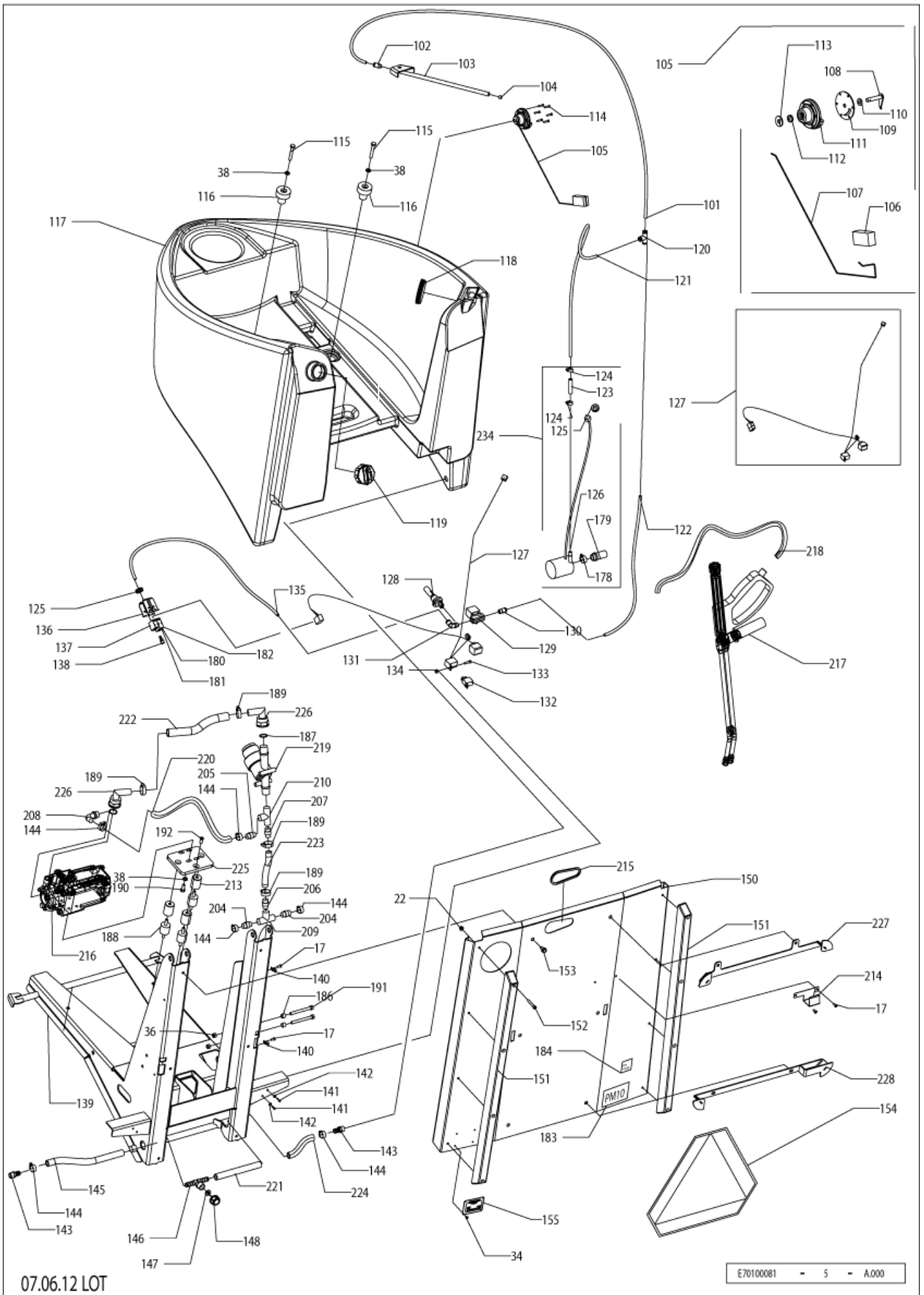
Hopper 2250 w. HP - Watertank - E70100081

11-09-2012

Part List ID
EGHATT88

2250 ATTACHMENTS

39



07.06.12 LOT

E70100081 - 5 - A.000

Hopper 2250 w. HP - Watertank - E70100081_!

2250 ATTACHMENTS

11-09-2012

Part List ID
EGHAI188

40

Pos	Part no.	Qty	Description
0	E70100071	1	HOPPER
17	E02000090	6	RIVET 4.8 - 12 MM
22	E03809120	39	FLANGE NUT F FZB 6 MM
34	E02000020	6	RIVET 3.0 - 8.0 MM
36	E03803060	12	LOCK NUT FZB 8 MM
38	E03900040	21	DISC 8 MM
101	E04705030	1	COMPRESSED AIR HOSE
102	E04601230	1	FITTING 8 MM 1/8 KRG
103	E41201780	1	NOZZLE HOLDER
104	E04601240	1	STOPPER 1/8.
105	E30200750	1	TANK LEVEL INDICATOR
106	E09720730	1	FLOAT
107	E41101750	1	ROD
108	E41200540	1	POINTER COMPLETE
109	E09722520	1	CAP FOR TANK GAUGE CAP FOR TANK GAUGE
110	E03905020	1	DISC A2 8 MM
111	E09720720	1	TANK LEVEL INDICATOR
112	E01800480	1	SEAL RING 8X16X3 MM
113	E03902060	1	SHIELD DISC A2 8 MM 8.4/24X2
114	E03303020	6	MACHINE SCREW LH A2 4 - 20 MM
115	E03200400	2	STEEL BOLT FZB 8 - 55 MM
116	E09922170	2	LOCK BLOCK
117	E09720320	1	WATER TANK
118	E02703000	1	STOPPER 80 MM
119	E01005425	1	TANK CAP
120	E04600130	1	FITTING R5 8 MM
121	E04705030	1	COMPRESSED AIR HOSE
122	E04705030	1	COMPRESSED AIR HOSE
124	E02600010	2	HOSE CLIP 8 - 14 MM
125	E02704060	1	RUBBER PASSAGE Ø12 MM
126	E01400070	1	PUMP 12VDC 15L/MIN10M
127	E30001110	1	WIRING
128	E05004320	1	LEVEL INDICATOR
129	E01403040	1	SOLENOID VALVE 12V/DC
130	E04601250	1	FITTING 8 MM 1/4 KRG
131	E04600360	1	ANGLE FITTING R31 8 - 1/4.
132	E05004115	1	RELAY 12V
133	E03100040	1	STEEL BOLT FZB 5 - 20 MM
134	E03809110	1	FLANGE NUT F FZB 5 MM
135	E04705030	1	COMPRESSED AIR HOSE
136	E41104380	1	ELECTRIC CLIPS
137	E05004350	1	WINDOW AND HOSE CLIP
138	E05004330	1	WATERCOUPLING

Hopper 2250 w. HP - Watertank - E70100081_!

2250 ATTACHMENTS

11-09-2012

Part List ID
EGHAI188

41

Pos	Part no.	Qty	Description
139	E61200355	1	TANK CONSOLE
140	E02603020	2	FIXING HOOK 510 BSL 1 X 8
141	E03303050	2	MACHINE SCREW M3 X 16 PH
142	E03901010	2	TIGHTENING DISC FZB 3 MM
143	E04800325	2	HOSE UNION 3/8GEV. 1/2ST
144	E02600020	6	HOSE CLIP 11 - 17 MM
146	E04800360	1	HOSE COUPLING 1/2. X 16 MM.
147	E02701310	1	SEAL TANK INDICATOR
148	E02701290	1	END SOCKET 1/2.
150	E41111270	1	REAR PLATE F. HOPPER RAL 7021 - S235 JR
151	E09725750	2	PLASTIC RAIL
152	E03404010	8	ALLEN SCREW 6 - 40 MM DIN912
153	E03702090	6	SCREW 6-KT.FZB 8X16 MM
154	E03001610	1	WARNING TRIANGLE 45X45
155	E03000010	1	MODEL PLATE
178	E02600030	1	HOSE CLIP 13 - 20 MM
179	E04800640	1	FILTER WATER DIESEL 304
180	E05206510	1	PLUG 2-PIN
181	E05206440	1	SEAL TANK INDICATOR
182	E05201100	2	CABLE SHOE
183	E03001620	1	STICKER PM10 CERTIFI
184	E03001650	1	STICKER
187	E01800710	2	O-RING Ø20 - 3 MM
188	E02500030	3	VIBRATION ABSORBER M8X23
189	E02600050	4	HOSE CLIP 19 - 28 MM
190	E03100140	4	STEEL BOLT FZB 8 - 20 MM
191	E03200430	2	STEEL BOLT FZB 8 - 80 MM
192	E03401040	3	ALLEN SCREW UH/7991. 8-16MM
204	E04800090	2	HOSE COUPLING 12 - 1/2
205	E04800100	1	HOSE COUPLING 3/4.
206	E04800150	1	HOSE COUPLING 1/2.
207	E04800190	1	HOSE COUPLING 3/4.
208	E04800260	1	HOSE COUPLING 3/8.
209	E04800610	1	HOSE COUPLING 1/2
210	E04800620	1	HOSE COUPLING 3/4
213	E09924220	3	BRUSH HIGH PRESSURE FE/ZN 25A
214	E09924250	1	ANGLE PLATE
225	E41111200	1	PLATE
226	E04800630	2	HOSE COUPLING Ø19X3/4
227	E61203260	1	SUSPENSION BRACKET TOP
228	E61203270	1	SUSPENSION BRACKET LOW
234	E80600005	1	PUMP WATER PUMP

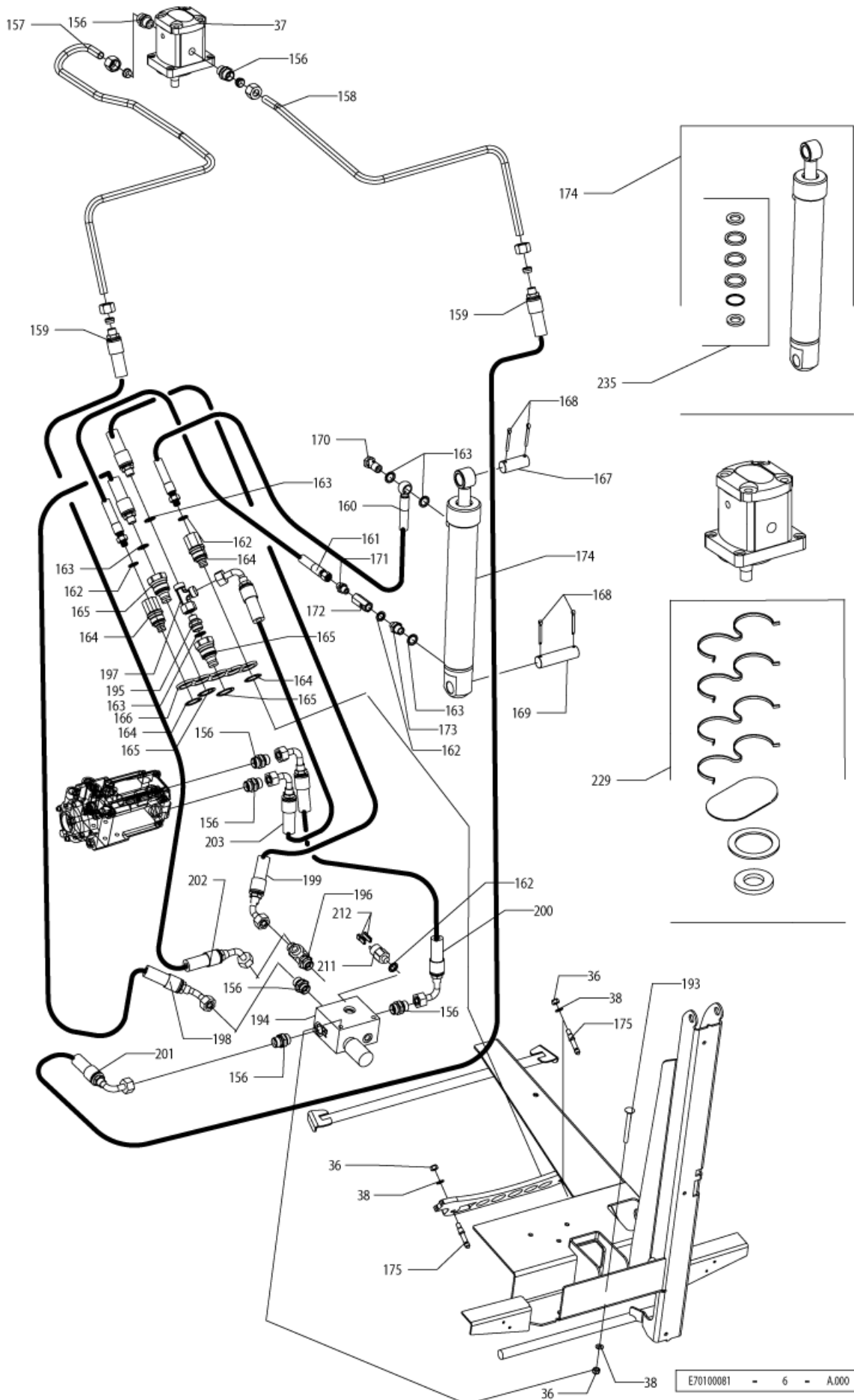
Hopper 2250 w. HP - Hydraulics - E70100081_

2250 ATTACHMENTS

11-09-2012

Part List ID
EGHATT89

42



Hopper 2250 w. HP - Hydraulics - E70100081

2250 ATTACHMENTS

11-09-2012

Part List ID
EGHAI189

43

Pos	Part no.	Qty	Description
0	E70100071	1	HOPPER
36	E03803060	12	LOCK NUT FZB 8 MM
37	E04000580	1	HYDRAULIC MOTOR
38	E03900040	21	DISC 8 MM
156	E04120170	7	STRAIGHT SCREWING
157	E09722070	1	HYDRAULIC PIPE LEFT
158	E09722060	1	HYDRAULIC PIPE RIGHT
159	E04421250	2	RAPID HYDRAULIC HOSE 1/2. L 1900.
160	E04421230	1	RAPID HYDRAULIC HOSE 1/4. 1000 MM.
161	E04421240	1	RAPID HYDRAULIC HOSE 1/4. 730 MM.
162	E04500020	4	SEALING RING 1/4.
163	E04500030	6	SEALING RING 3/8.
164	E04501400	2	HYDRAULIC COUPLING 1/4. MALE.
165	E04501420	2	HYDRAULIC COUPLING 3/8. MALE.
166	E61000829	1	COUPLING PLATE
167	E61000889	1	TURNING SHAFT
168	E01902080	4	SPLIT PIN FZB 5 - 32 MM
169	E61000879	1	TURNING SHAFT
170	E04109210	1	BANJO HYDRAULIC BOLT 3/8.
171	E04120040	1	STRAIGHT SCREWING
172	E04001660	1	HOSE BREAK VALVE
173	E04100050	1	HYDR. BUSHING 1/4. - 3/8.
174	E04502070	1	HYDRAULIC CYLINDER DV 50/25-280 MM
175	E09923220	2	TAP FOR CONNECTING
193	E03500280	2	CARRIAGE BOLT FZB 8 - 80 MM
194	E04002340	1	QUANTITY ADJUSTMENT R1 40L / R2 17L
195	E04120160	1	STRAIGHT SCREWING
196	E04160280	1	SCREWING IN Ø15
197	E04180340	1	ADJUSTABLE T
198	E04423040	1	HYDRAULIC HOSE 1/2. 210BAR
199	E04423050	1	HYDRAULIC HOSE 1/2. 210BAR
200	E04423060	1	HYDRAULIC HOSE 1/2. 210 BAR
201	E04423070	1	HYDRAULIC HOSE 1/2
202	E04423090	1	RAPID HYDRAULIC HOSE 1/2. 210 BAR
203	E04423100	1	RAPID HYDRAULIC HOSE 1/2. 210BAR
211	E05004075	1	PRESSOSTAT 20 BAR 1/4 NC
212	E05010030	2	INSULATION PLATE
229	E04009405	1	GASKET SET
235	E04509120	1	GASKET SET

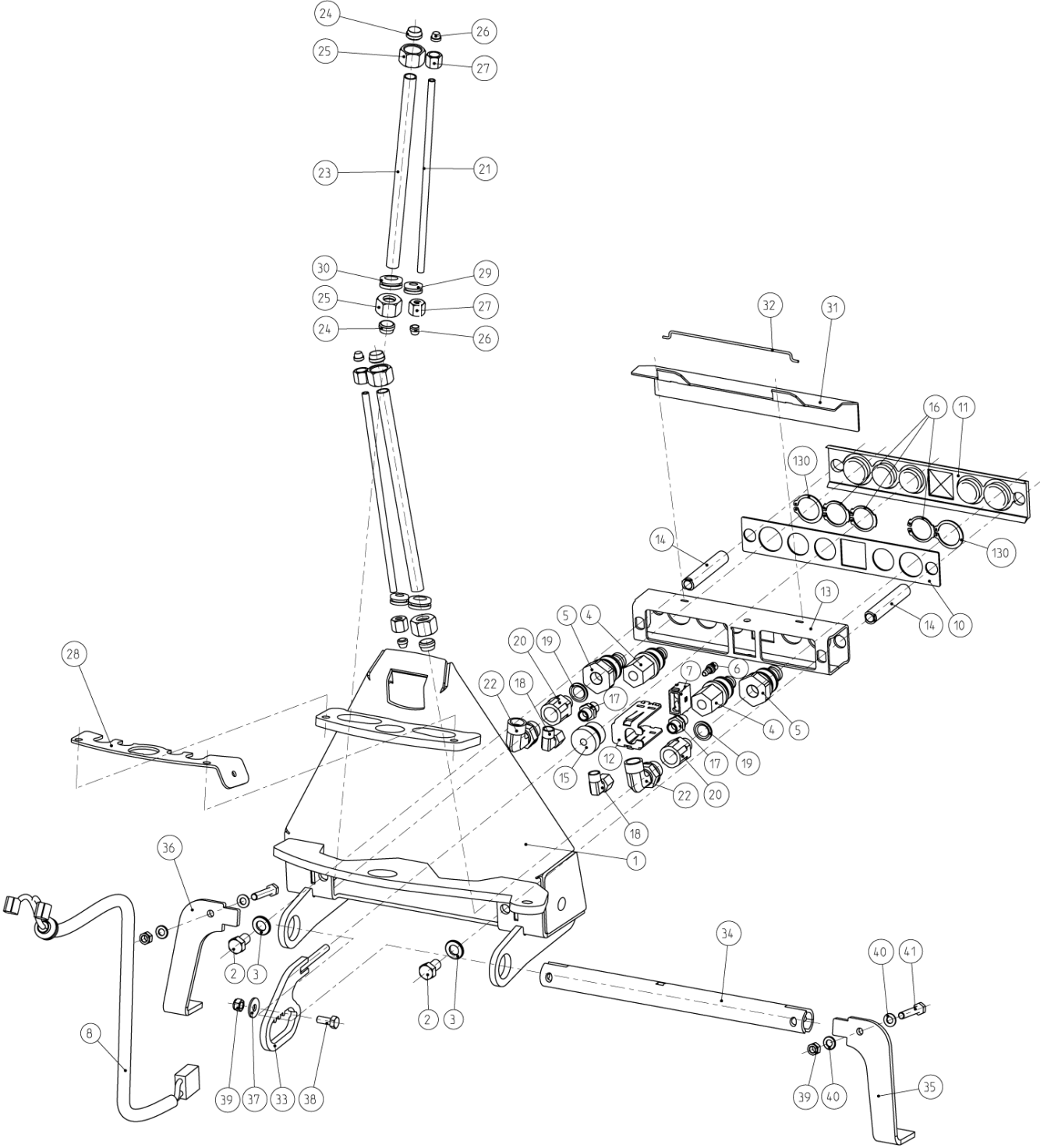
Weed brush 2250 - A-Frame and hydraulic - 701C

2250 ATTACHMENTS

11-09-2012

Part List ID
EGHATT17

44



Weed brush 2250 - A-Frame and hydraulic - 7010

2250 ATTACHMENTS

11-09-2012

Part List ID
EGHAI117

45

Pos	Part no.	Qty	Description
0	E70101141	1	WEED BRUSH
1	E61202545	1	ATTACHMENT FRAME
2	E03100260	10	STEEL BOLT FZB 12 - 20 MM
3	E03900060	10	DISC 12 MM
4	E04501400	1	HYDRAULIC COUPLING 1/4. MALE.
5	E04501420	1	HYDRAULIC COUPLING 3/8. MALE.
6	E05004330	1	WATERCOUPLING
7	E05004350	1	WINDOW AND HOSE CLIP
8	E30000840	1	WIRING
10	E09825060	1	SHIMS
11	E09722190	1	SEALING
12	E41104120	1	WINDOW AND HOSE CLIP
13	E61000539	1	CLUTCH HOLDER
14	E61000549	2	BUSH
15	E09724560	1	BUSH
16	E01901290	10	LOCKING PIN 29 MM
17	E04120410	1	STRAIGHT SCREWING
18	E04180110	1	ADJUSTABLE ANGLE
19	E04500030	10	SEALING RING 3/8.
20	E04190760	1	ADAPTOR 3/8. X 1/2.
21	E09724610	1	HYDRAULIC PIPE Ø8X1.5 L260
22	E04130540	1	ANGLED SCREWING 1/2.
23	E09724620	1	HYDRAULIC PIPE Ø15X1.5 L 260
24	E04150040	10	CUTTING RING
25	E04155040	10	NUT M15L
26	E04150010	10	CUTTING RING
27	E04155010	10	NUT M08L
28	E61101685	1	LOCKING PLATE
29	E02704180	10	O-RING
30	E02704190	10	O-RING
31	E41103700	1	FLAP
32	E09722040	1	FLAP
33	E61202569	1	PINION FOR STAND
34	E61101695	1	AXLE FOR STAND
35	E61101705	1	STAND LEFT
36	E61101715	1	STAND RIGHT
37	E03902020	10	SHIELD DISC FZB 8 MM 8.4/24X2
38	E03100140	10	STEEL BOLT FZB 8 - 20 MM
39	E03803060	10	LOCK NUT FZB 8 MM
40	E03900040	10	DISC 8 MM
41	E03200140	10	STEEL BOLT FZB 8 - 45 MM
130	E01901330	10	LOCKING PIN 32 MM

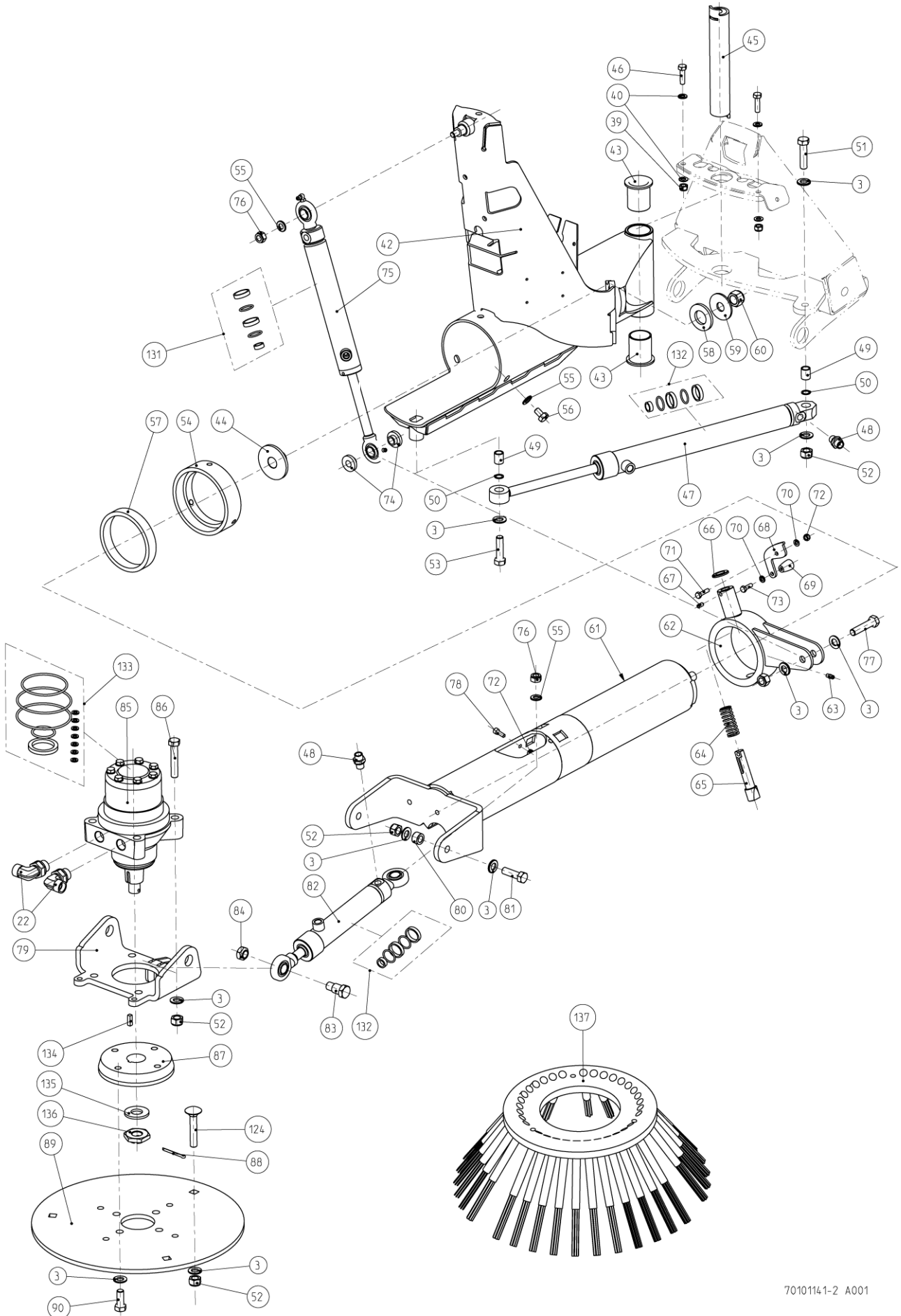
Weed brush 2250 - Brusch, hyd, motor and cylir

2250 ATTACHMENTS

11-09-2012

Part List ID
EGHATT18

46



Weed brush 2250 - Bruschi, hyd, motor and cylinder

2250 ATTACHMENTS

11-09-2012

Part List ID
EGHAI118

47

Pos	Part no.	Qty	Description
0	E70101141	1	WEED BRUSH
3	E03900060	10	DISC 12 MM
22	E04130540	2	ANGLED SCREWING 1/2.
29	E03803060	10	LOCK NUT FZB 8 MM
40	E03900040	10	DISC 8 MM
42	E61202585	1	CHASSIS WEED BRUSH
43	E01609200	2	COLLAR LINING
44	E01609210	1	COLLAR LINING
45	E61202599	1	AXLE
46	E03100160	10	STEEL BOLT FZB 8 - 30 MM
47	E04502090	1	HYDRAULIC CYLINDER DVS 30/16-315 MM
48	E04120040	1	STRAIGHT SCREWING
49	E01702150	2	INNER RING Ø12X16X20
50	E03907190	10	DISC 12 X 16 X 1.0 MM
51	E03200290	10	STEEL BOLT FZB 12 - 50 MM
52	E03803080	10	LOCK NUT FZB 12 MM
53	E03200280	10	STEEL BOLT FZB 12 - 45 MM
54	E61001549	1	BEARING RING
55	E03900050	10	DISC DIN 125B FZB 10 MM
56	E03100190	10	STEEL BOLT FZB 10 - 16 MM
57	E09724650	1	SLIDE BUSH
58	E09724640	1	WASHER
59	E03902080	1	SHIELD DISC FZB 16 MM 17/50X3
60	E03803100	10	LOCK NUT FZB 16 MM
61	E61001635	1	INNER TUBE
62	E61001555	1	CYLINDER MOUNT
63	E02400020	10	OIL CUP M6
64	E02203300	1	COMPRESSION SPRING
65	E09923020	1	LOCK PIN
66	E03900080	10	DISC 16 MM
67	E01903220	10	TIGHTENING PIN 6 - 10 MM
68	E61001565	1	HANDLE
69	E01302200	1	HANDLE
70	E03900030	10	DISC 6 MM
71	E03100100	10	STEEL BOLT FZB 6 - 25 MM
72	E03803040	10	LOCK NUT FZB 6 MM
73	E03100090	10	STEEL BOLT FZB 6 - 20 MM
74	E09923070	2	PIPE BUSH
75	E04502110	1	HYDRAULIC CYLINDER 30/16 - 178
76	E03803070	10	LOCK NUT FZB 10 MM 8.8
77	E03200300	10	STEEL BOLT FZB 12 - 55 MM
78	E03400040	10	ALLEN SCREW 6 - 16 MM
79	E61202615	1	MOTOR PLATE

Weed brush 2250 - Brusch, hyd, motor and cylin

2250 ATTACHMENTS

11-09-2012

Part List ID

EGHAI 118

48

Pos	Part no.	Qty	Description
80	E01702200	2	INNER RING Ø12X20X12
81	E03100300	10	STEEL BOLT FZB 12 - 40 MM
82	E04502060	1	HYDRAULIC CYLINDER DVL 30/16-120 MM
83	E61000428	10	BOLT
84	E61000689	10	STEEL NUT 45 CONE
85	E70500011	1	HYDRAULIC MOTOR DELTA W PLATE
86	E03200450	10	STEEL BOLT FZB 12 X 65 MM
87	E60000398	1	WHEEL DISC M12-1.5
88	E01902070	10	SPLIT PIN FZB 4 - 40 MM
89	E61001575	1	BRUSH PLATE
90	E03101040	10	STEEL BOLT 12X1.5 - 30 MM
124	E03500270	10	CARRIAGE BOLT FZB 12X70 MM
137	E01103060	1	WEED BRUSH 400 MM
137	E01103210	1	WEED BRUSH KOMBI 2200

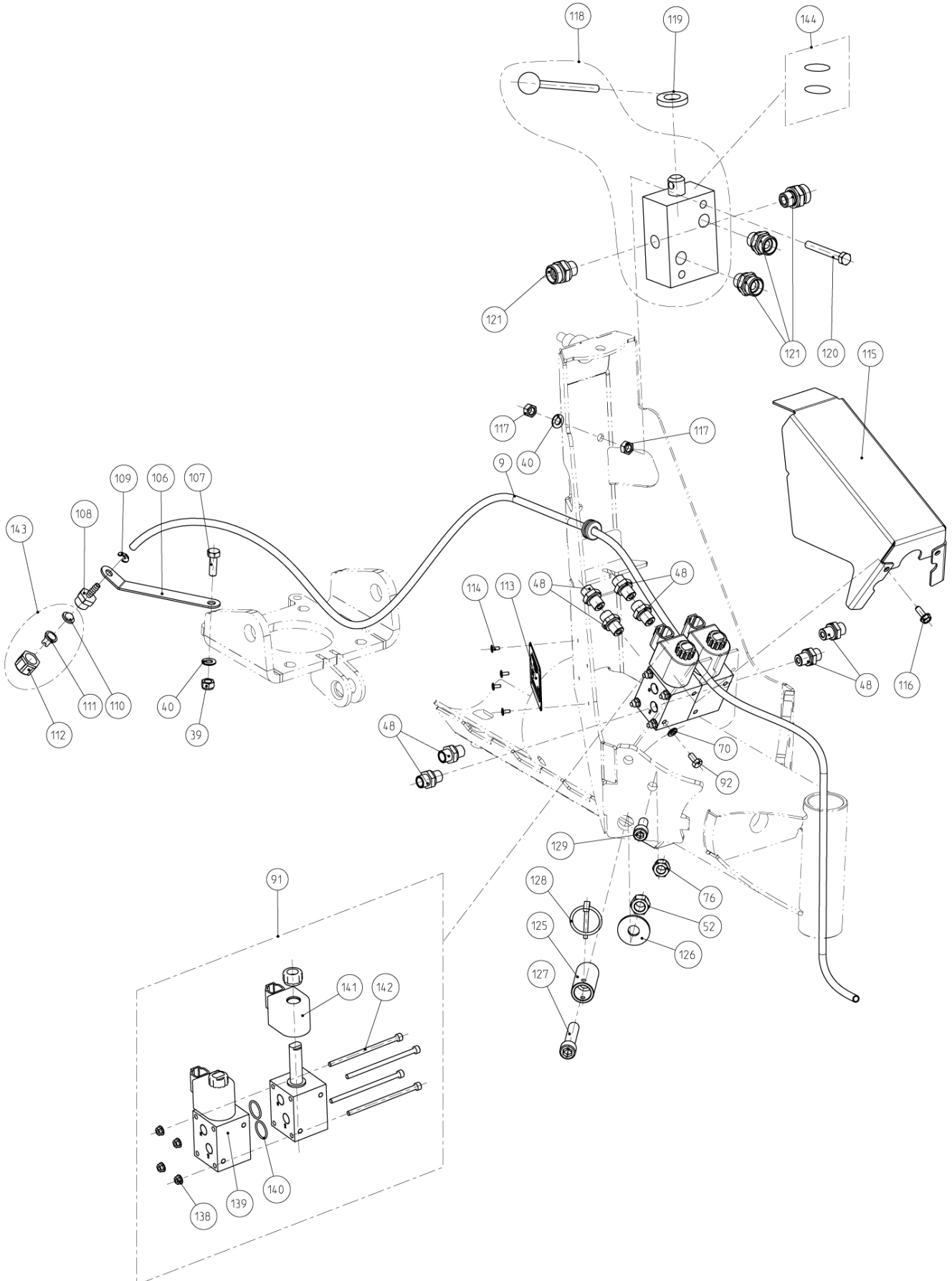
Weed brush 2250- Hyd.Block and watersystem -

2250 ATTACHMENTS

11-09-2012

Part List ID
EGHATT19

49



Weed brush 2250- Hyd.Block and watersystem - 7

2250 ATTACHMENTS

11-09-2012

Part List ID
EGHAI 119

50

Pos	Part no.	Qty	Description
0	E70101141	1	WEED BRUSH
9	E04422420	1	WATER HOSE L 1850
37	E03702050	10	SCREW 6-KT.FZB 6X16 MM
39	E03803060	10	LOCK NUT FZB 8 MM
40	E03900040	10	DISC 8 MM
48	E04120040	2	STRAIGHT SCREWING
52	E03803080	10	LOCK NUT FZB 12 MM
70	E03900030	10	DISC 6 MM
76	E03803070	10	LOCK NUT FZB 10 MM 8.8
91	E04001690	1	SWITCH VALVE 8/3 1/4.
92	E03100070	10	STEEL BOLT FZB 6 - 12 MM
106	E09827780	1	NOZZLE HOLDER
107	E03100150	10	STEEL BOLT FZB 8 - 25 MM
108	E04800450	1	HOSE COUPLING 3/8.
109	E02701320	10	PLASTIC CLIP 6X14X1.3
110	E01402050	10	NOZZLE FILTER 610105
111	E01402100	10	NOZZLE
112	E01402040	10	NOZZLE UNION HARDI 3/8.
113	E03000010	1	MODEL PLATE
114	E02000020	10	RIVET 3.0 - 8.0 MM
115	E61101725	1	COVER ABOVE BLOCK
117	E03800050	10	STEEL NUT FZB 8 MM
118	E04002060	1	HYDRAULIC VALVE HSV-061-OMP
119	E09724660	1	DUST COVER
120	E03200480	10	STEEL BOLT FZB 8 - 65 MM
121	E04120160	2	STRAIGHT SCREWING
125	E09923390	1	SUSPENSION F. SHIELD
126	E03902040	10	SHIELD DISC FZB 12 MM 13/37X3
127	E03404020	10	ALLEN SCREW 12 - 55 MM
128	E01905010	10	FUSE PIN 4.5 - 27 MM
129	E03400160	10	ALLEN SCREW FZB 10 X 25 MM
143	E70501101	1	NOZZLE SET

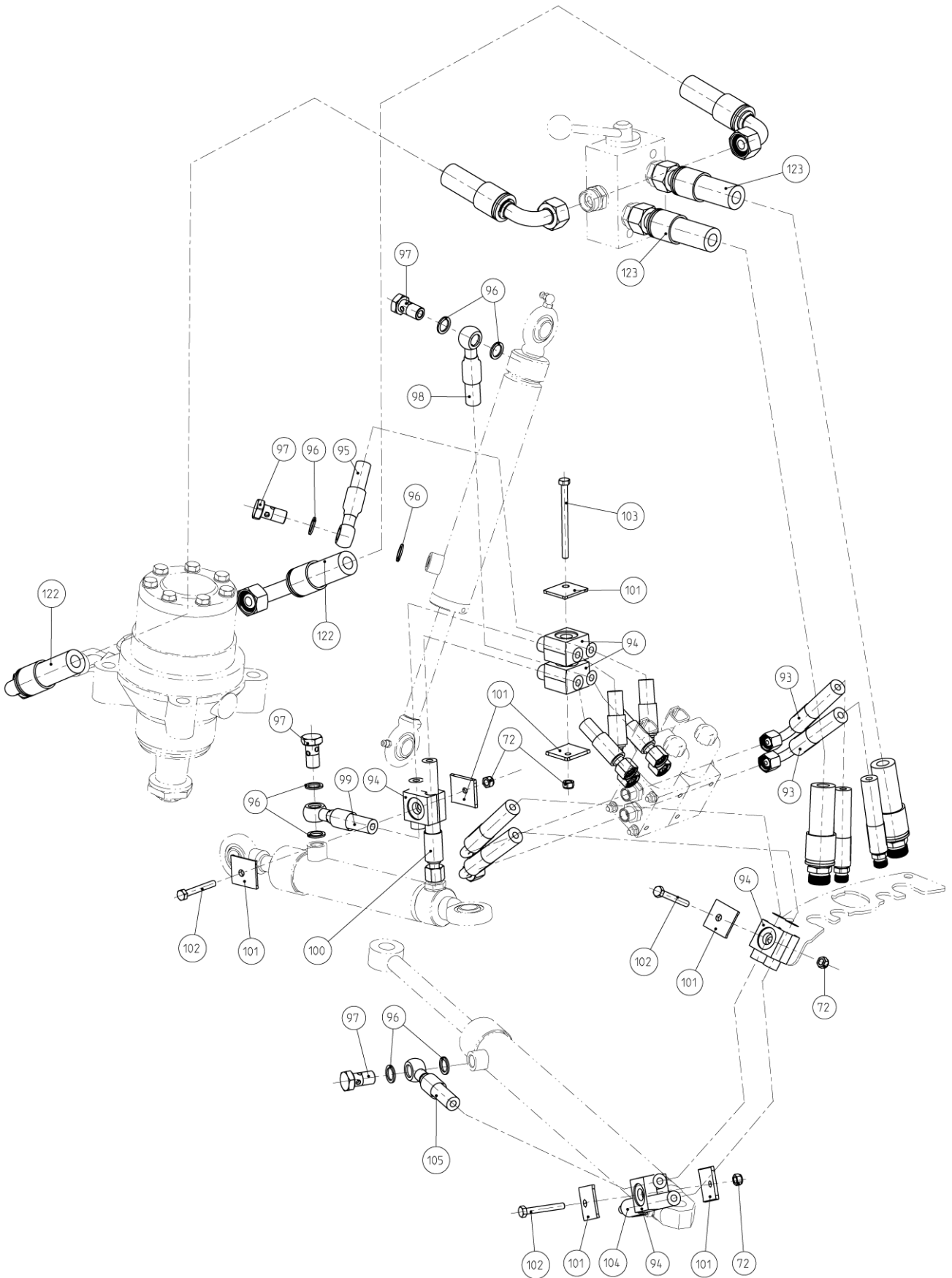
Weed brush 2250 - Hyd.Hoses - 70101141-4

2250 ATTACHMENTS

11-09-2012

Part List ID
EGHATT20

51



Weed brush 2250 - Hyd.Hoses - 70101141-4

2250 ATTACHMENTS

11-09-2012

Part List ID
EGHAI 120

52

Pos	Part no.	Qty	Description
0	E70101141	1	WEED BRUSH
72	E03803040	10	LOCK NUT FZB 6 MM
93	E04422330	1	RAPID HYDRAULIC HOSE 1/4. L 500 MM.
94	E04503030	2	HYDR. PIPE CLAMP
95	E04422340	1	RAPID HYDRAULIC HOSE 1/4. L 460 MM.
96	E03909070	10	COPPER DISC 1/4.
97	E04109060	2	BANJO HYDRAULIC BOLT 1/4.
98	E04422350	1	RAPID HYDRAULIC HOSE 1/4. L 450 MM.
99	E04422360	1	RAPID HYDRAULIC HOSE 1/4. L 770 MM.
100	E04422370	1	RAPID HYDRAULIC HOSE 1/4. L 600 MM.
101	E04503040	2	PLATE
102	E03200080	10	STEEL BOLT FZB 6 - 45 MM
103	E03200120	10	STEEL BOLT FZB 6 - 80 MM
104	E04422390	1	RAPID HYDRAULIC HOSE 1/4. L 820 MM.
105	E04422380	1	RAPID HYDRAULIC HOSE 1/4. L 1120 MM.
122	E04422400	1	RAPID HYDRAULIC HOSE 1/2. L 880 MM.
123	E04422410	1	RAPID HYDRAULIC HOSE 1/2. L 570 MM.

Weed brush 2250 - Vacuum nozzle for weed brus

2250 ATTACHMENTS

11-09-2012

Part List ID

EGHATT21

53

No Drawing For Part List

Weed brush 2250 - Vacuum nozzle for weed brus

2250 ATTACHMENTS

11-09-2012

Part List ID
EGHAI 121

54

Pos	Part no.	Qty	Description
0	E70101141	1	WEED BRUSH
1	E61202645	1	SUCTION UNIT
2	E03900040	10	DISC 8 MM
3	E03803060	10	LOCK NUT FZB 8 MM
4	E03200150	10	STEEL BOLT FZB 8 - 50 MM
5	E61101745	2	MOUNTING PLATE
6	E03500030	10	CARRIAGE BOLT FZB 6 - 25 MM
7	E03900030	10	DISC 6 MM
8	E03803040	10	LOCK NUT FZB 6 MM
9	E09724570	1	MOULDING RIGHT
10	E01100360	2	WHEEL
11	E09923410	2	WHEEL AXLE
12	E03902030	10	SHIELD DISC 10 MM 10.5/30X2.5
13	E03200245	10	STEEL BOLT FZB 10 - 65 MM
14	E03803070	10	LOCK NUT FZB 10 MM 8.8
15	E61101735	1	SUSPENSION TUBE
16	E03100140	10	STEEL BOLT FZB 8 - 20 MM
17	E04703300	1	SUCTION PIPE
18	E61202655	1	FRAME
19	E03900060	10	DISC 12 MM
20	E03200310	10	STEEL BOLT FZB 12 - 60 MM
21	E03803080	10	LOCK NUT FZB 12 MM

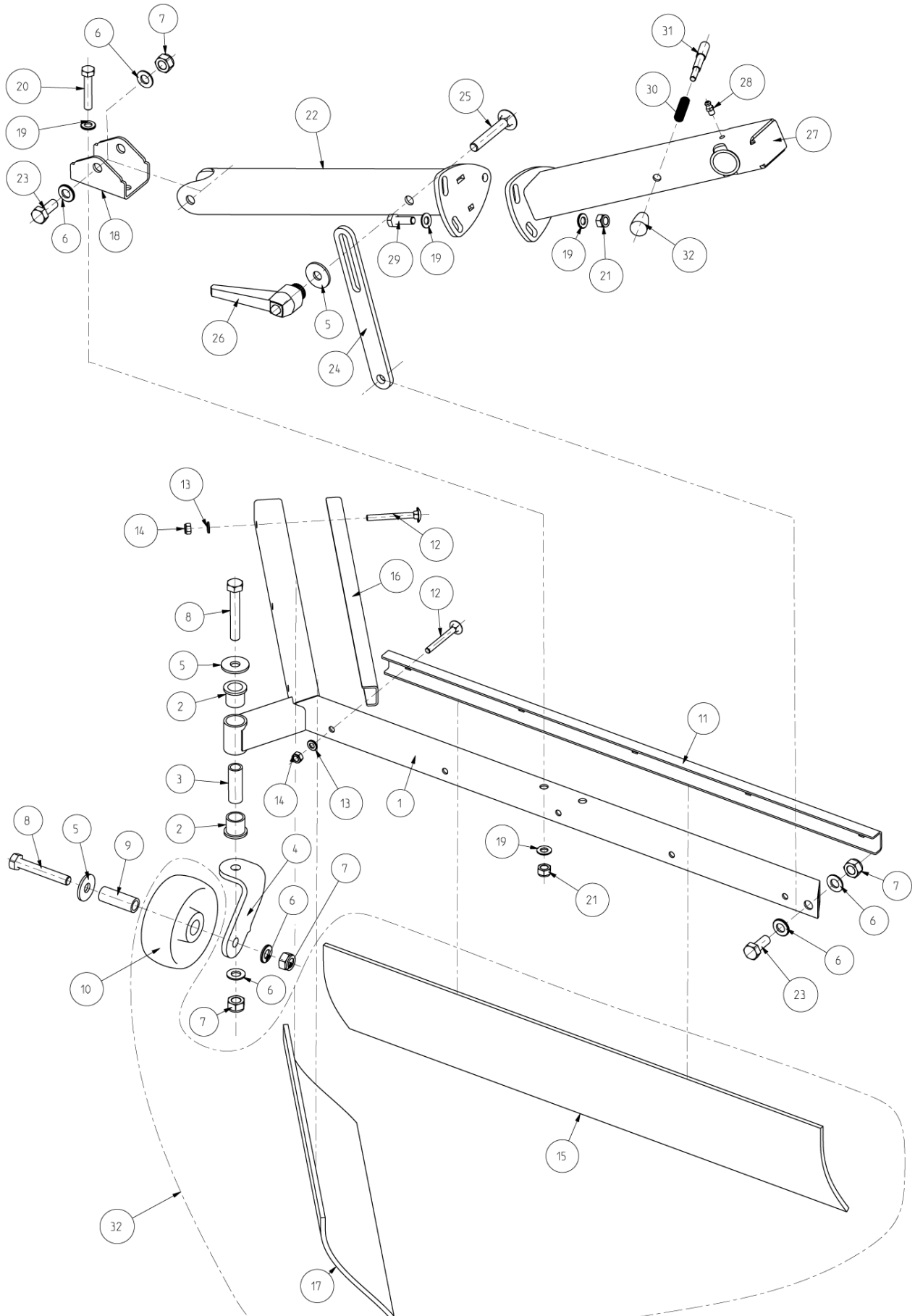
Weed brush 2250 - Guard - 70301101-1

11-09-2012

Part List ID
EGHATT22

2250 ATTACHMENTS

55



Weed brush 2250 - Guard - 70301101-1

2250 ATTACHMENTS

11-09-2012

Part List ID
EGHAI1ZZ

56

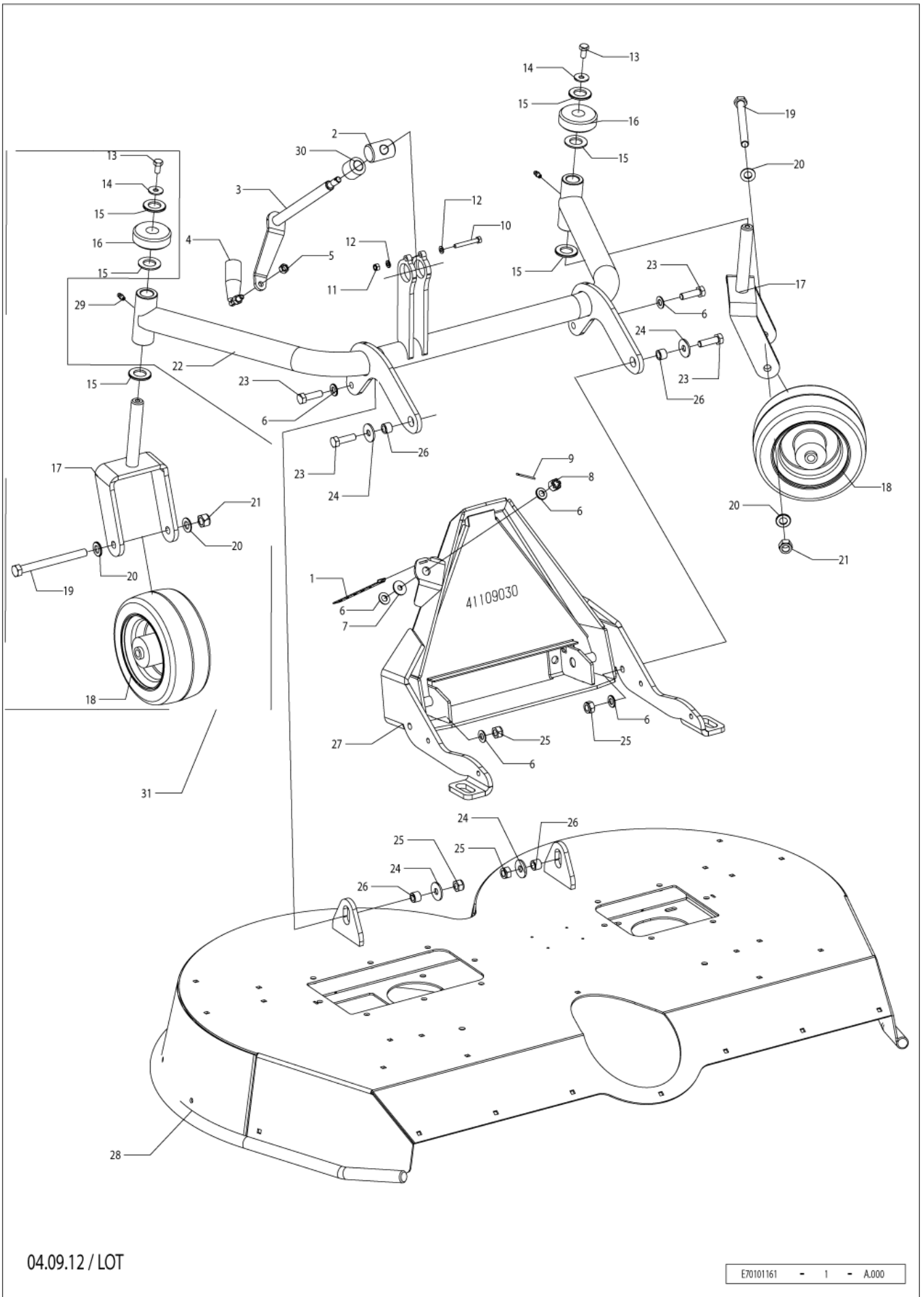
Pos	Part no.	Qty	Description
0	E70101141	1	WEED BRUSH
1	E61202685	1	SHIELD
2	E01609190	2	COLLAR LINING
3	E09923460	1	AXLE
4	E61101785	1	WHEEL SUSPENSION
5	E03902030	10	SHIELD DISC 10 MM 10.5/30X2.5
6	E03900050	10	DISC DIN 125B FZB 10 MM
7	E03803070	10	LOCK NUT FZB 10 MM 8.8
8	E03200245	10	STEEL BOLT FZB 10 - 65 MM
9	E09923410	2	WHEEL AXLE
10	E01100360	2	WHEEL
11	E61101775	1	STRIP
12	E03501070	10	CARRIAGE BOLT FZB 6X55 MM
13	E03900030	10	DISC 6 MM
14	E03803040	10	LOCK NUT FZB 6 MM
15	E09724670	1	RUBBER EDGE
16	E61101765	1	STRIP
17	E09724680	1	RUBBER EDGE
18	E61101755	1	FITTINGS FOR ARM
19	E03900040	10	DISC 8 MM
20	E03200140	10	STEEL BOLT FZB 8 - 45 MM
21	E03803060	10	LOCK NUT FZB 8 MM
22	E61202675	1	OUTER ARM
23	E03100210	10	STEEL BOLT FZB 10 - 25 MM
24	E61001605	1	ADJUSTING BAR
25	E03500100	10	CARRIAGE BOLT FZB 10 - 65 MM
26	E01302020	1	ADJUSTABLE HANDLE
27	E61202665	1	INNER ARM
28	E02400020	10	OIL CUP M6
29	E03100150	10	STEEL BOLT FZB 8 - 25 MM
30	E02203210	1	COMPRESSION SPRING 512 0.8X10X50
31	E09923420	1	LOCK PIN
32	E01302200	1	HANDLE
33	E70501121	1	SERVICE KIT

Rotary/Mulch mower 1200-2250 - Suspension and 2250 ATTACHMENTS

11-09-2012

Part List ID
EGHATT23

57



Rotary/Mulch mower 1200-2250 - Suspension and 2250 ATTACHMENTS

11-09-2012

Part List ID
EGHAI123

58

Pos	Part no.	Qty	Description
0	E70101151	1	ROTARY MOWER
0	E70101161	1	MOWER
1	E41104680	1	HEIGHT SCALE
2	E61200278	1	ADJUSTING BUSH
3	E61201008	1	ADJUSTMENT HANDLE
4	E01302180	1	HANDLE
5	E03800050	1	STEEL NUT FZB 8 MM
6	E03900050	6	DISC DIN 125B FZB 10 MM
7	E03902070	1	SHIELD DISC 10 MM 10.5/30
8	E03809160	1	STEEL NUT M10
9	E01902100	1	SPLIT PIN FZB 2.5 - 32 MM
10	E03100400	1	STEEL BOLT FZB 6 - 45 MM A2
11	E03804010	1	LOCK NUT A2 6 MM
12	E03905010	2	DISC A2 6 MM
13	E03100130	2	STEEL BOLT FZB 8 - 16 MM
14	E03902020	2	SHIELD DISC FZB 8 MM 8.4/24X2
15	E03900100	6	DISC 20 MM
16	E09720690	2	SUPPORT WHEEL Ø62X20
17	E61201018	2	WHEEL FORK
18	E01100300	2	WHEEL
19	E03200660	2	STEEL BOLT FZB 12 - 130 MM
20	E03900060	4	DISC 12 MM
21	E03803080	2	LOCK NUT FZB 12 MM
22	E61200950	1	SUSPENSION FRONT
23	E03100230	4	STEEL BOLT FZB 10 - 35 MM
24	E03902030	4	SHIELD DISC 10 MM 10.5/30X2.5
25	E03803070	4	LOCK NUT FZB 10 MM 8.8
26	E61000068	4	PIPE BUSH FOR SUSPENSION
27	E61200995	1	A-FRAME MOWER
28	E61201625	1	SHIELD 1200-2150 RAL9023
29	E02400020	2	OIL CUP M6
31	E90501665	1	WHEEL

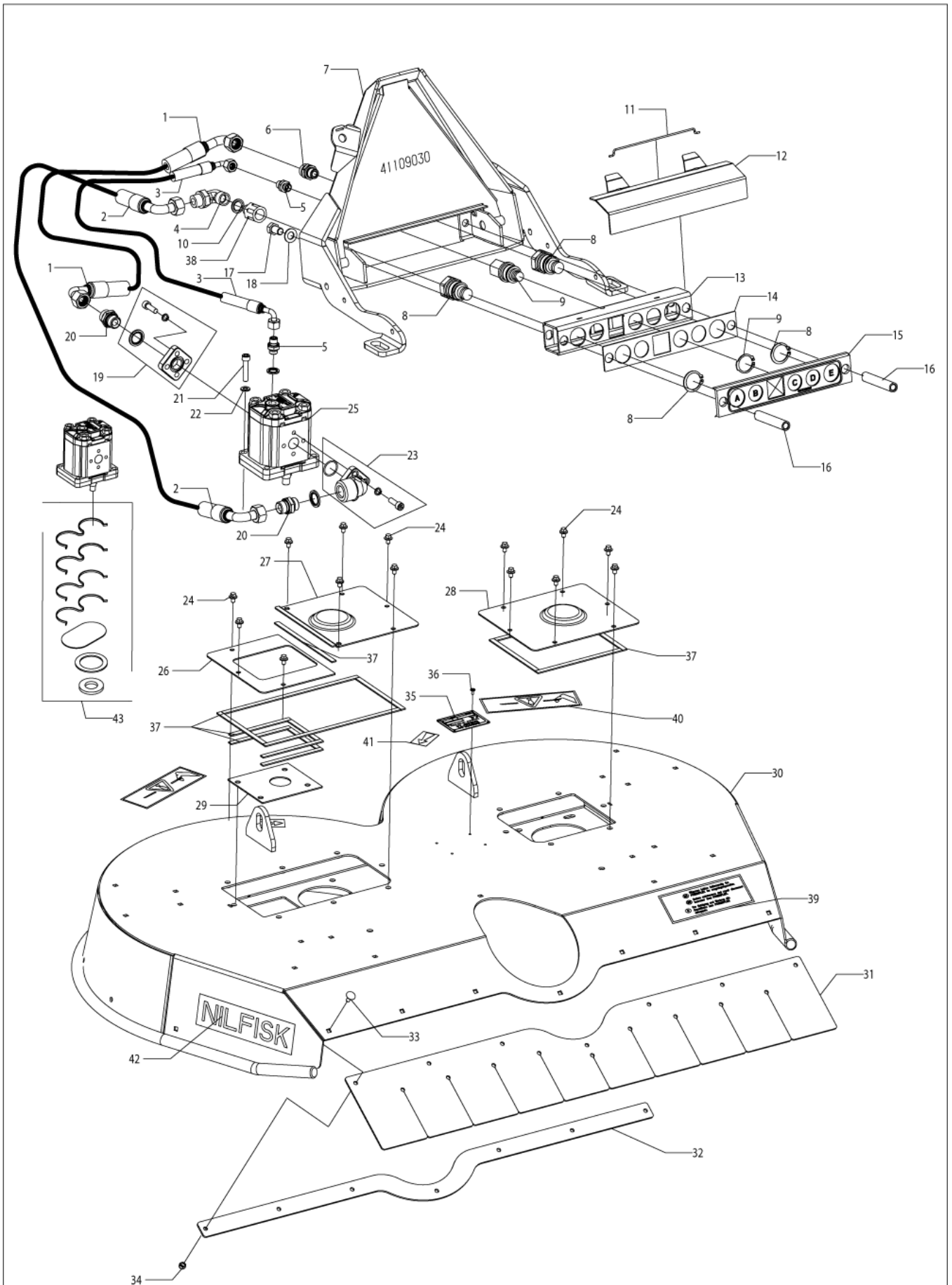
Rotary/Mulch mower 1200-2250 - Hydraulic - 701

2250 ATTACHMENTS

11-09-2012

Part List ID
EGHATT24

59



Rotary/Mulch mower 1200-2250 - Hydraulic - 7010

2250 ATTACHMENTS

11-09-2012

Part List ID
EGHAI124

60

Pos	Part no.	Qty	Description
0	E70101151	1	ROTARY MOWER
0	E70101161	1	MOWER
1	E04421110	1	RAPID HYDRAULIC HOSE 1/2. 580 MM.
2	E04421120	1	RAPID HYDRAULIC HOSE 1/4. 485 MM.
3	E04421100	1	RAPID HYDRAULIC HOSE 1/2. 650 MM.
4	E04130540	1	ANGLED SCREWING 1/2.
5	E04120040	2	STRAIGHT SCREWING
6	E04120160	1	STRAIGHT SCREWING
7	E61200995	1	A-FRAME MOWER
8	E04501420	2	HYDRAULIC COUPLING 3/8. MALE.
9	E04501400	1	HYDRAULIC COUPLING 1/4. MALE.
10	E04500030	1	SEALING RING 3/8.
11	E09722040	1	FLAP
12	E41103700	1	FLAP
13	E61000539	1	CLUTCH HOLDER
14	E09825060	1	SHIMS
15	E09722190	1	SEALING
16	E61000549	2	BUSH
17	E03100260	2	STEEL BOLT FZB 12 - 20 MM
18	E03900060	2	DISC 12 MM
19	E04001560	1	HYDRAULIC FLANGE 1/2. X Ø40.
20	E04120170	2	STRAIGHT SCREWING
21	E03404250	4	ALLEN BOLT 8X40 FZB
22	E03900040	4	DISC 8 MM
23	E04001490	1	HYDRAULIC FLANGE 1/2. X Ø40.
24	E03702040	14	SCREW 6-KT.FZB 6X10 MM
25	E04000430	1	HYDRAULIC MOTOR
26	E61000695	1	ENGINE COVER
27	E61100725	1	COVER LEFT
28	E61100715	1	COVER RIGHT
29	E09822570	1	PLATE
30	E61201625	1	SHIELD 1200-2150 RAL9023
31	E09723710	1	SEALING PLATE
32	E09828310	1	PLASTIC BEARING
33	E03501010	7	CARRIAGE BOLT A2 6 - 16 MM
34	E03804010	7	LOCK NUT A2 6 MM
35	E03000010	1	MODEL PLATE
36	E02000020	4	RIVET 3.0 - 8.0 MM
38	E04190760	1	ADAPTOR 3/8. X 1/2.
39	E03001130	1	STICKER
40	E03001180	2	STICKER
41	E03001040	2	STICKER
42	E03004090	2	STICKER NILFISK

Rotary/Mulch mower 1200-2250 - Hydraulic - 7010

2250 ATTACHMENTS

11-09-2012

Part List ID

EGHA1124

61

Pos	Part no.	Qty	Description
-----	----------	-----	-------------

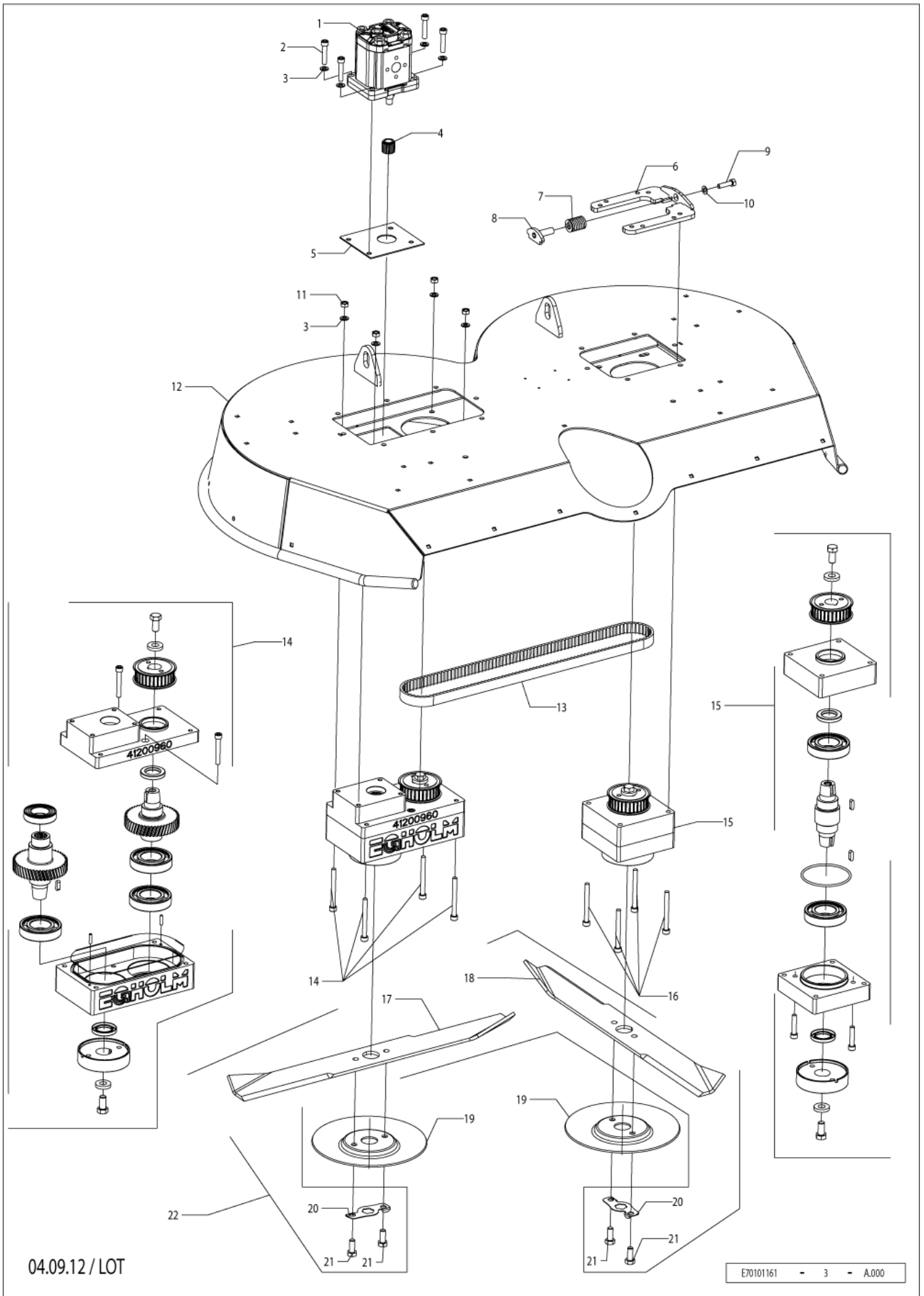
43	E04009450	1	GASKET SET
----	-----------	---	------------

Rotary/Mulch mower 1200-2250 - Gearbox and to 2250 ATTACHMENTS

11-09-2012

Part List ID
EGHATT25

62



04.09.12 / LOT

Rotary/Mulch mower 1200-2250 - Gearbox and tool

2250 ATTACHMENTS

11-09-2012

Part List ID
EGHAI125

63

Pos	Part no.	Qty	Description
0	E70101151	1	ROTARY MOWER
0	E70101161	1	MOWER
1	E04000430	1	HYDRAULIC MOTOR
2	E03404250	4	ALLEN BOLT 8X40 FZB
3	E03900040	8	DISC 8 MM
4	E01609150	1	TOOTH BUSH
5	E09822570	1	PLATE
6	E41200680	1	KUBOTA ROD
7	E02201170	1	COMPRESSION SPRING 3.2X5.5X32
8	E41200730	1	TIGHTENING PLATE
9	E03102220	1	STEEL BOLT A2 8 - 30 MM
10	E03905020	1	DISC A2 8 MM
11	E03800050	4	STEEL NUT FZB 8 MM
12	E61201625	1	SHIELD 1200-2150 RAL9023
13	E01604230	1	TOOTH BELT
14	E41200970	1	BEARING
15	E41200960	1	REVERSING GEAR
16	E03404220	4	ALLEN BOLT MC 8X80 FZB
17	E09720380	1	KNIFE RIGHT
18	E09720370	1	KNIFE LEFT
19	E61000389	2	PROTECTION SHIELD
20	E09824280	2	LOCKING PLATE
21	E03100210	4	STEEL BOLT FZB 10 - 25 MM
22	E90501655	1	KNIFE SET

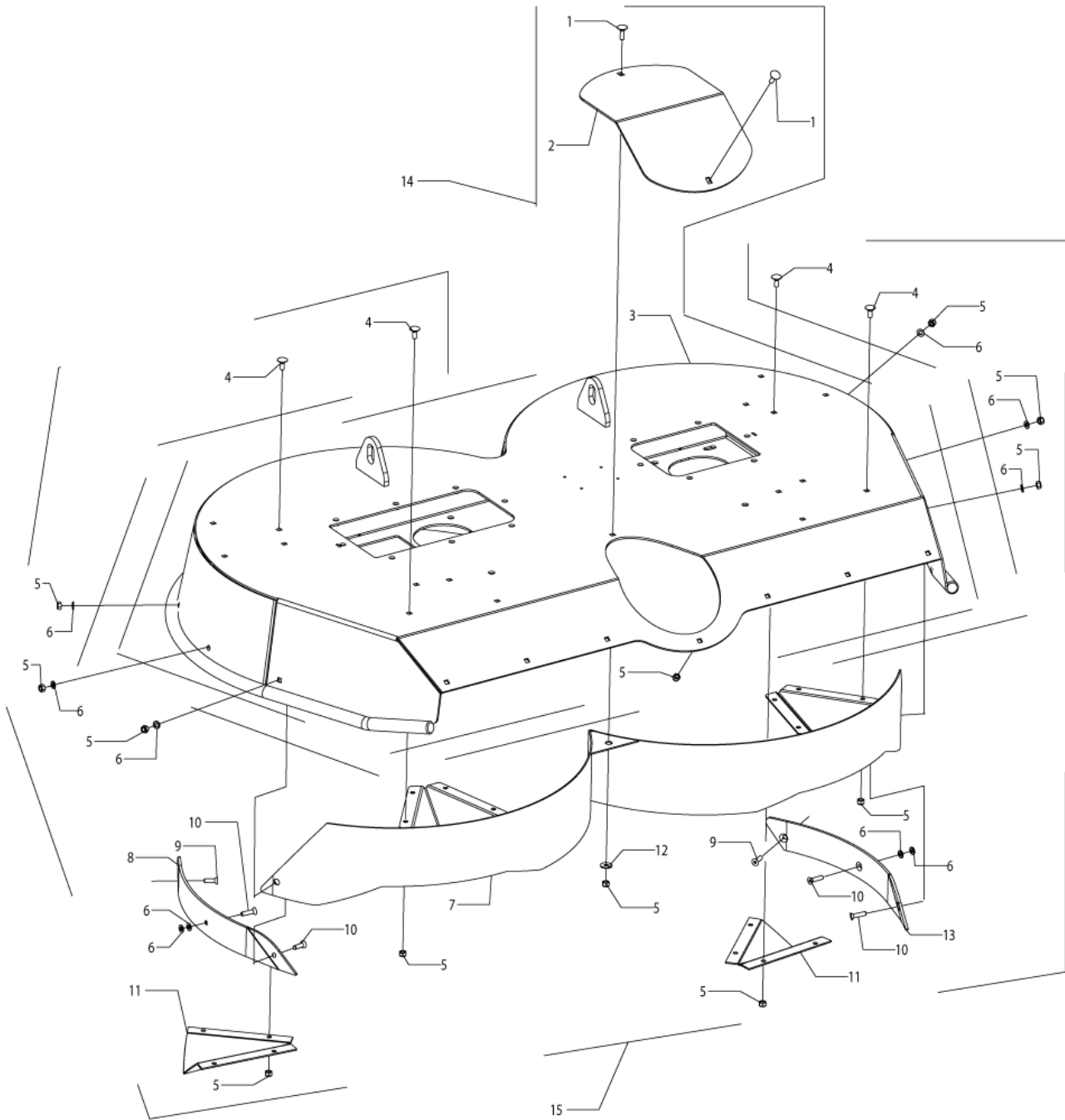
Rotary/Mulch mower 1200-2250 - Mulch-kit - 701

2250 ATTACHMENTS

11-09-2012

Part List ID
EGHATT26

64



Rotary/Mulch mower 1200-2250 - Mulch-kit - 7010

2250 ATTACHMENTS

11-09-2012

Part List ID
EGHAI126

65

Pos	Part no.	Qty	Description
0	E70101151	1	ROTARY MOWER
0	E70101161	1	MOWER
1	E03501030	2	CARRIAGE BOLT A2 6 - 20 MM
3	E61201625	1	SHIELD 1200-2150 RAL9023
4	E03501010	16	CARRIAGE BOLT A2 6 - 16 MM
5	E03804010	24	LOCK NUT A2 6 MM
6	E03905010	10	DISC A2 6 MM
7	E41200380	1	SHIELDING
8	E41104460	1	PLATE RIGHT
9	E03401200	2	ALLEN SCREW A2 6 - 16
10	E03401190	4	ALLEN SCREW A2 6 - 20
11	E41101110	2	TRIANGLE 45 MM
12	E03902050	1	SHIELD DISC A2 6 MM 6.4/18X1.6
13	E41104470	1	PLATE LEFT
15	E90501591	1	MULCH KIT

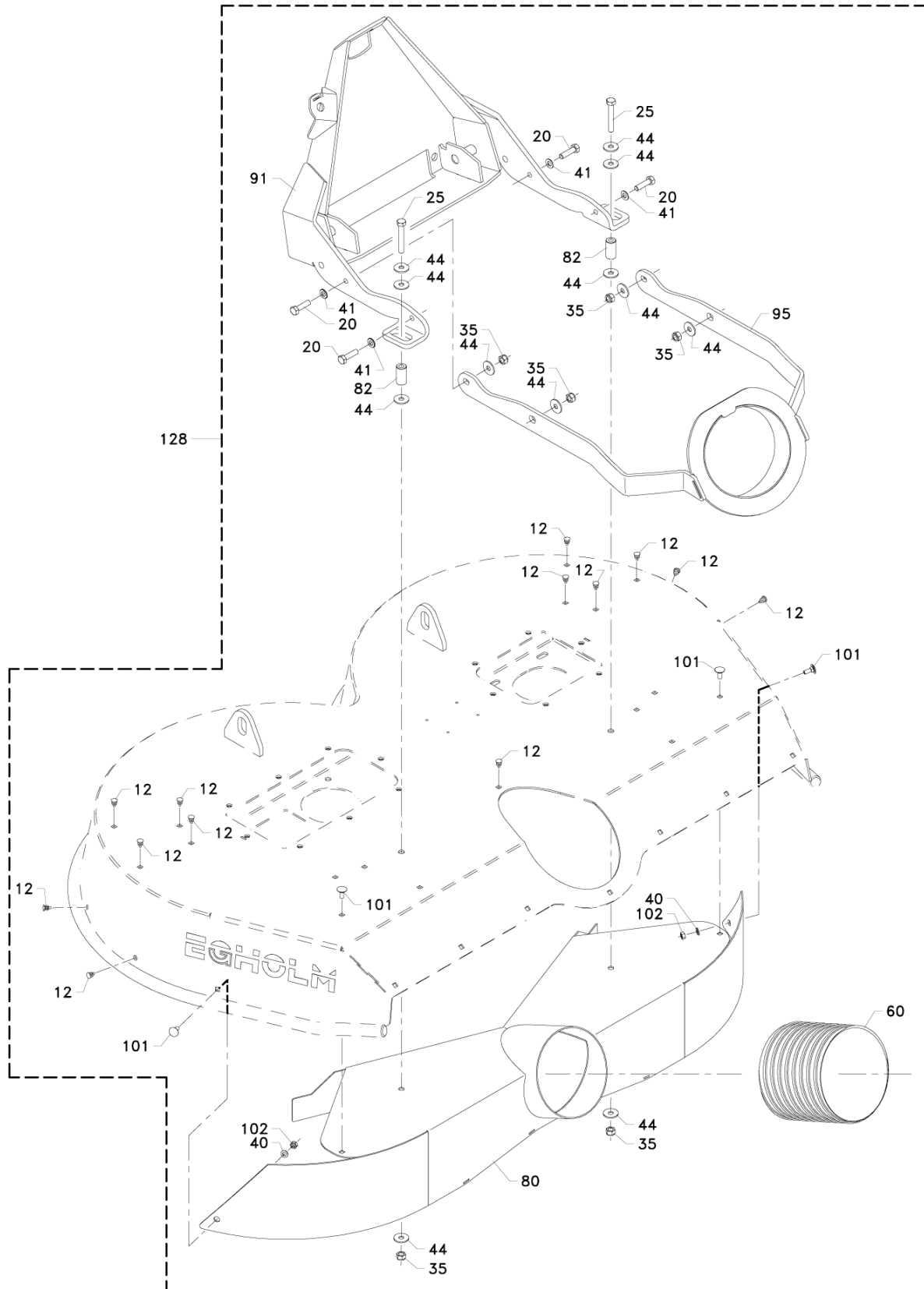
Rotary/Mulch mower 1200-2250 - Collector kit -

2250 ATTACHMENTS

11-09-2012

Part List ID
EGHATT27

66



Rotary/Mulch mower 1200-2250 - Collector kit - 2250 ATTACHMENTS

11-09-2012

Part List ID
EGHAI127

67

Pos	Part no.	Qty	Description
0	E70101151	1	ROTARY MOWER
0	E70101161	1	MOWER
12	E02709070	13	COVER PLUG
20	E03100160	10	STEEL BOLT FZB 8 - 30 MM
25	E03200400	10	STEEL BOLT FZB 8 - 55 MM
35	E03803060	10	LOCK NUT FZB 8 MM
41	E03900040	10	DISC 8 MM
44	E03902020	10	SHIELD DISC FZB 8 MM 8.4/24X2
60	E04703280	1	SUCTION PIPE
80	E41202190	1	GRASS COLLECTOR
82	E61000078	1	PIPE BUSH FOR SHIELD
91	E61200995	1	A-FRAME MOWER
94	E61201625	1	SHIELD 1200-2150 RAL9023
95	E61201635	1	PLATE
101	E03401200	10	ALLEN SCREW A2 6 - 16
102	E03800030	10	STEEL NUT FZB 6 MM

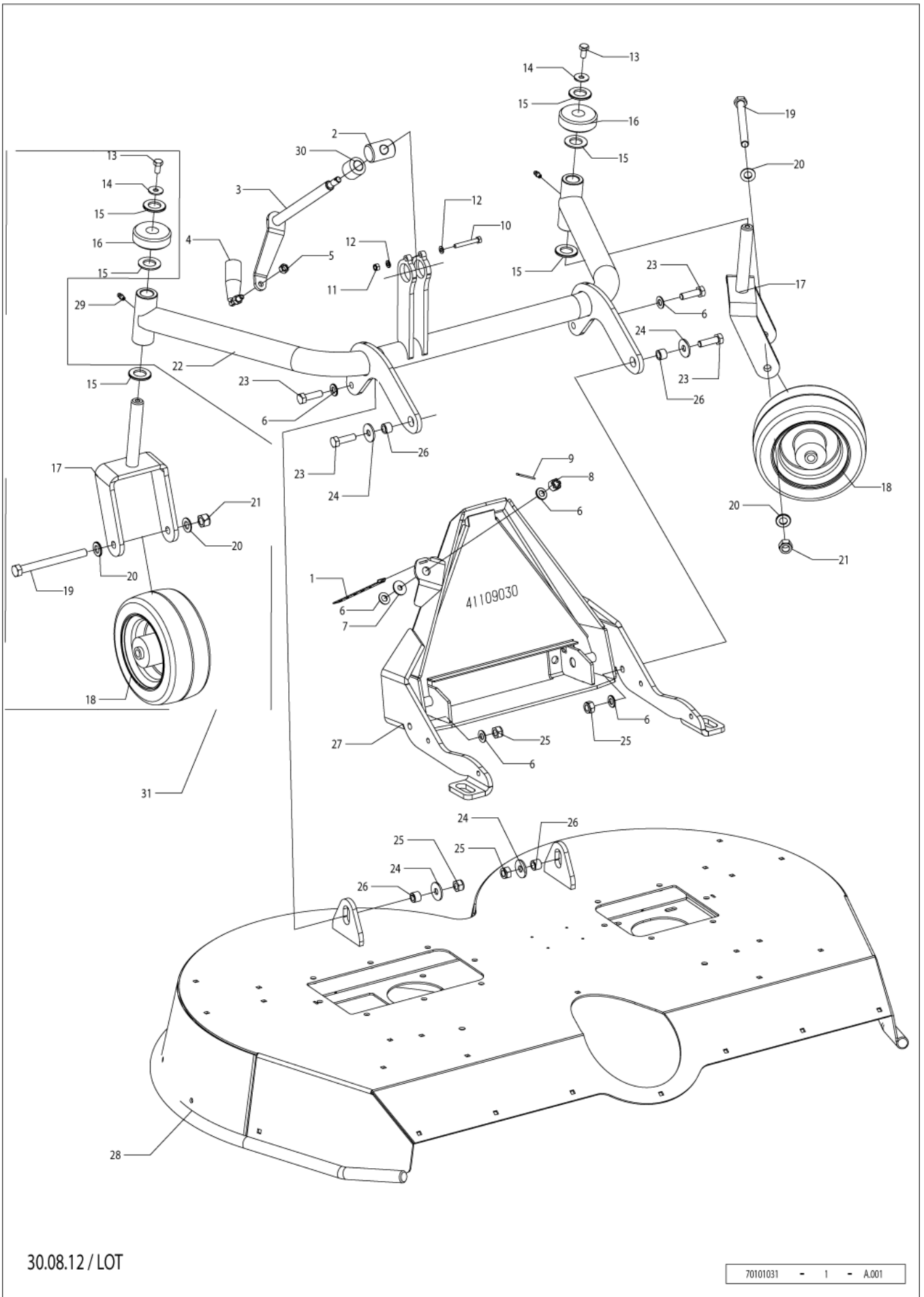
Rotary/Mulch mower grass collector 2250 - Susp

2250 ATTACHMENTS

11-09-2012

Part List ID
EGHATT29

68



Rotary/Mulch mower grass collector 2250 - Susp

2250 ATTACHMENTS

11-09-2012

Part List ID
EGHAI 129

69

Pos	Part no.	Qty	Description
0	E70101031	1	LAWN MOWER/COLLECTOR
1	E41104680	1	HEIGHT SCALE
2	E61200278	1	ADJUSTING BUSH
3	E61201008	1	ADJUSTMENT HANDLE
4	E01302180	1	HANDLE
5	E03800050	1	STEEL NUT FZB 8 MM
6	E03900050	6	DISC DIN 125B FZB 10 MM
7	E03902070	1	SHIELD DISC 10 MM 10.5/30
8	E03809160	1	STEEL NUT M10
9	E01902100	1	SPLIT PIN FZB 2.5 - 32 MM
10	E03100400	1	STEEL BOLT FZB 6 - 45 MM A2
11	E03804010	1	LOCK NUT A2 6 MM
12	E03905010	2	DISC A2 6 MM
13	E03100130	2	STEEL BOLT FZB 8 - 16 MM
14	E03902020	2	SHIELD DISC FZB 8 MM 8.4/24X2
15	E03900100	6	DISC 20 MM
16	E09720690	2	SUPPORT WHEEL Ø62X20
17	E61201018	2	WHEEL FORK
18	E01100300	2	WHEEL
19	E03200660	2	STEEL BOLT FZB 12 - 130 MM
20	E03900060	4	DISC 12 MM
21	E03803080	2	LOCK NUT FZB 12 MM
22	E61200950	1	SUSPENSION FRONT
23	E03100230	4	STEEL BOLT FZB 10 - 35 MM
24	E03902030	4	SHIELD DISC 10 MM 10.5/30X2.5
25	E03803070	4	LOCK NUT FZB 10 MM 8.8
26	E61000068	4	PIPE BUSH FOR SUSPENSION
27	E61200995	1	A-FRAME MOWER
28	E61201625	1	SHIELD 1200-2150 RAL9023
29	E02400020	2	OIL CUP M6
31	E90501665	1	WHEEL

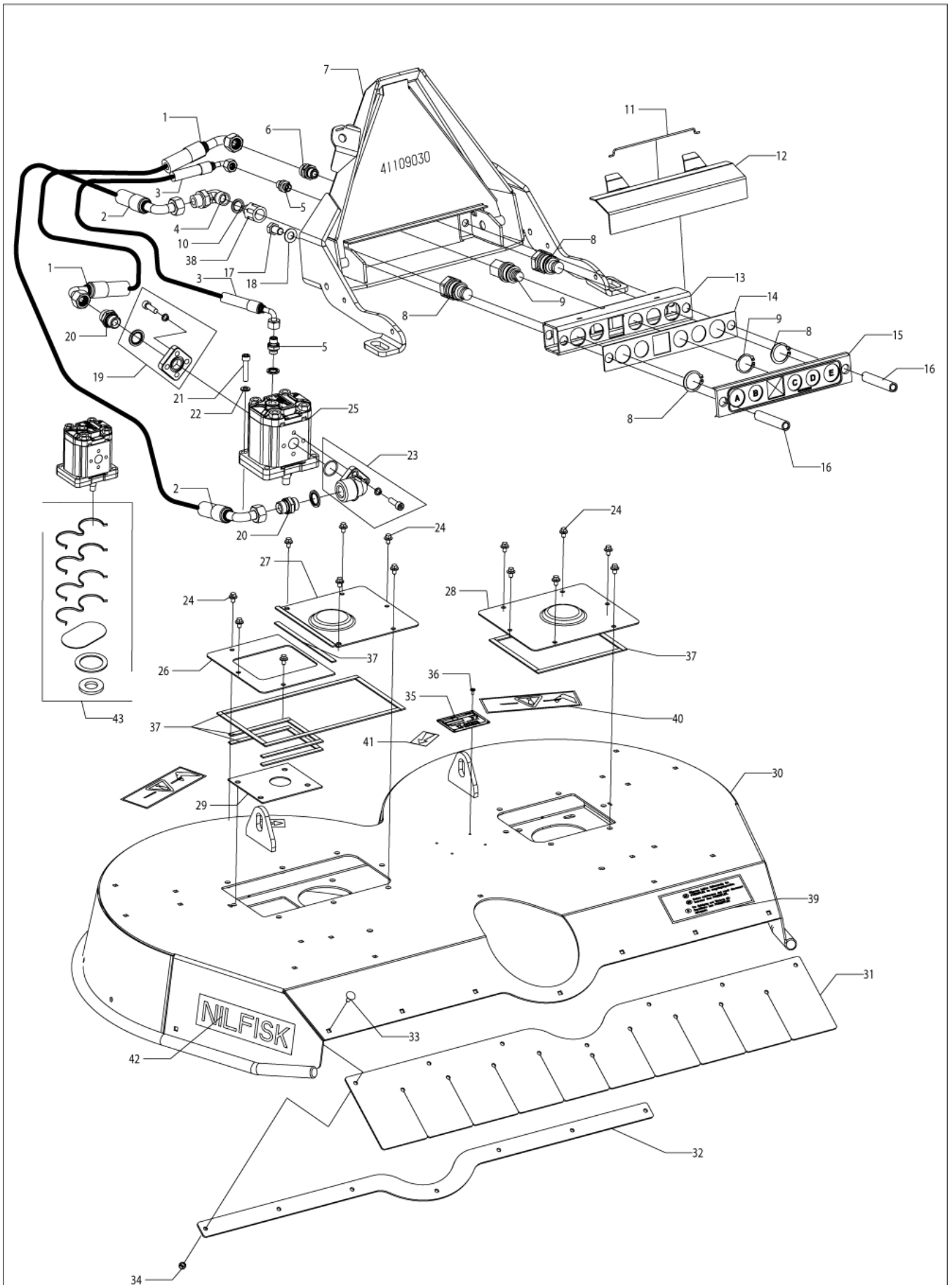
Rotary/Mulch mower grass collector 2250 - Hyd

2250 ATTACHMENTS

11-09-2012

Part List ID
EGHATT30

70



Rotary/Mulch mower grass collector 2250 - Hydr

2250 ATTACHMENTS

11-09-2012

Part List ID
EGHAI130

71

Pos	Part no.	Qty	Description
0	E70101031	1	LAWN MOWER/COLLECTOR
1	E04421110	1	RAPID HYDRAULIC HOSE 1/2. 580 MM.
2	E04421120	1	RAPID HYDRAULIC HOSE 1/4. 485 MM.
3	E04421100	1	RAPID HYDRAULIC HOSE 1/2. 650 MM.
4	E04130540	1	ANGLED SCREWING 1/2.
5	E04120040	2	STRAIGHT SCREWING
6	E04120160	1	STRAIGHT SCREWING
7	E61200995	1	A-FRAME MOWER
8	E04501420	2	HYDRAULIC COUPLING 3/8. MALE.
9	E04501400	1	HYDRAULIC COUPLING 1/4. MALE.
10	E04500030	1	SEALING RING 3/8.
11	E09722040	1	FLAP
12	E41103700	1	FLAP
13	E61000539	1	CLUTCH HOLDER
14	E09825060	1	SHIMS
15	E09722190	1	SEALING
16	E61000549	2	BUSH
17	E03100260	2	STEEL BOLT FZB 12 - 20 MM
18	E03900060	2	DISC 12 MM
19	E04001560	1	HYDRAULIC FLANGE 1/2. X Ø40.
20	E04120170	2	STRAIGHT SCREWING
21	E03404250	4	ALLEN BOLT 8X40 FZB
22	E03900040	4	DISC 8 MM
23	E04001490	1	HYDRAULIC FLANGE 1/2. X Ø40.
24	E03702040	14	SCREW 6-KT.FZB 6X10 MM
25	E04000430	1	HYDRAULIC MOTOR
26	E61000695	1	ENGINE COVER
27	E61100725	1	COVER LEFT
28	E61100715	1	COVER RIGHT
29	E09822570	1	PLATE
30	E61201625	1	SHIELD 1200-2150 RAL9023
31	E09723710	1	SEALING PLATE
32	E09828310	1	PLASTIC BEARING
33	E03501010	7	CARRIAGE BOLT A2 6 - 16 MM
34	E03804010	7	LOCK NUT A2 6 MM
35	E03000010	1	MODEL PLATE
36	E02000020	4	RIVET 3.0 - 8.0 MM
38	E04190760	1	ADAPTOR 3/8. X 1/2.
39	E03001130	1	STICKER
40	E03001180	2	STICKER
41	E03001040	2	STICKER
42	E03004090	2	STICKER NILFISK
43	E04009450	1	GASKET SET

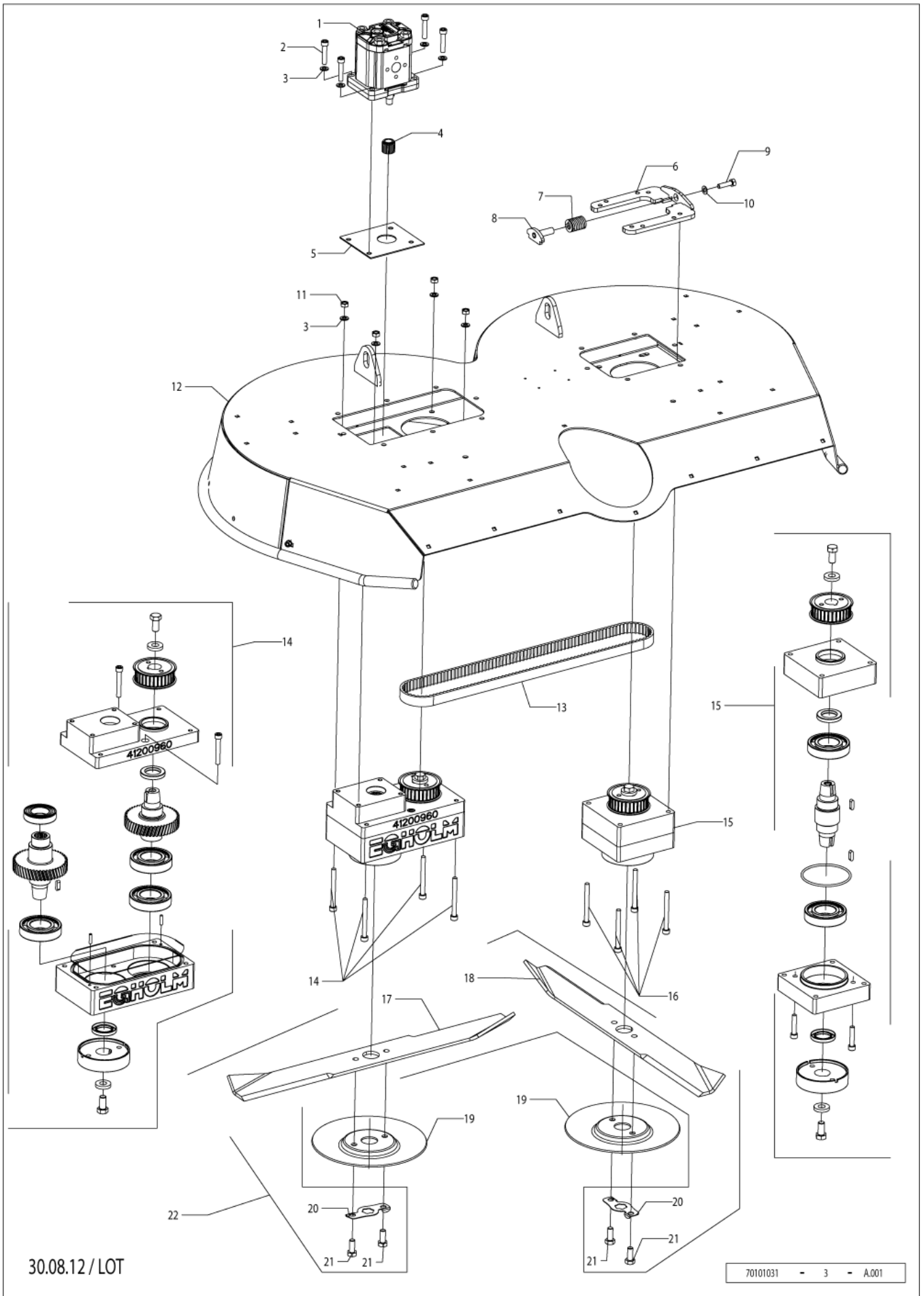
Rotary/Mulch mower grass collector 2250 - Gear

2250 ATTACHMENTS

11-09-2012

Part List ID
EGHATT31

72



Rotary/Mulch mower grass collector 2250 - Gear

2250 ATTACHMENTS

11-09-2012

Part List ID

EGHAI 131

73

Pos	Part no.	Qty	Description
0	E70101031	1	LAWN MOWER/COLLECTOR
1	E04000430	1	HYDRAULIC MOTOR
2	E03404250	4	ALLEN BOLT 8X40 FZB
3	E03900040	8	DISC 8 MM
4	E01609150	1	TOOTH BUSH
5	E09822570	1	PLATE
6	E41200680	1	KUBOTA ROD
7	E02201170	1	COMPRESSION SPRING 3.2X5.5X32
8	E41200730	1	TIGHTENING PLATE
9	E03102220	1	STEEL BOLT A2 8 - 30 MM
10	E03905020	1	DISC A2 8 MM
11	E03800050	4	STEEL NUT FZB 8 MM
12	E61201625	1	SHIELD 1200-2150 RAL9023
13	E01604230	1	TOOTH BELT
14	E41200970	1	BEARING
15	E41200960	1	REVERSING GEAR
16	E03404220	4	ALLEN BOLT MC 8X80 FZB
17	E09720380	1	KNIFE RIGHT
18	E09720370	1	KNIFE LEFT
19	E61000389	2	PROTECTION SHIELD
20	E09824280	2	LOCKING PLATE
21	E03100210	4	STEEL BOLT FZB 10 - 25 MM
22	E90501655	1	KNIFE SET

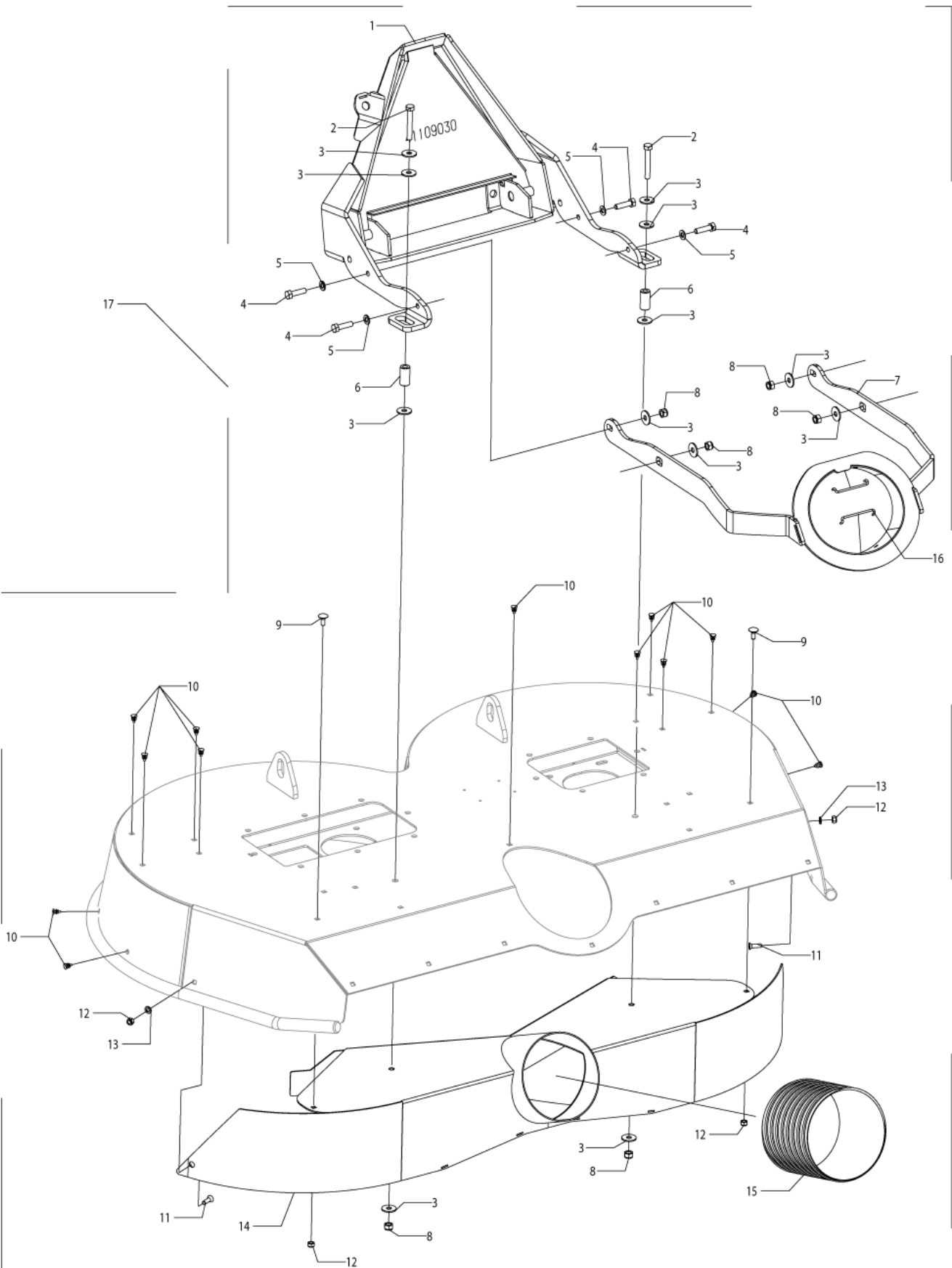
Rotary/Mulch mower grass collector 2250 - Shil

2250 ATTACHMENTS

11-09-2012

Part List ID
EGHATT32

74



30.08.12/LOT

70101031 - 4 - A.001

Rotary/Mulch mower grass collector 2250 - Shil

2250 ATTACHMENTS

11-09-2012

Part List ID

EGHAI132

75

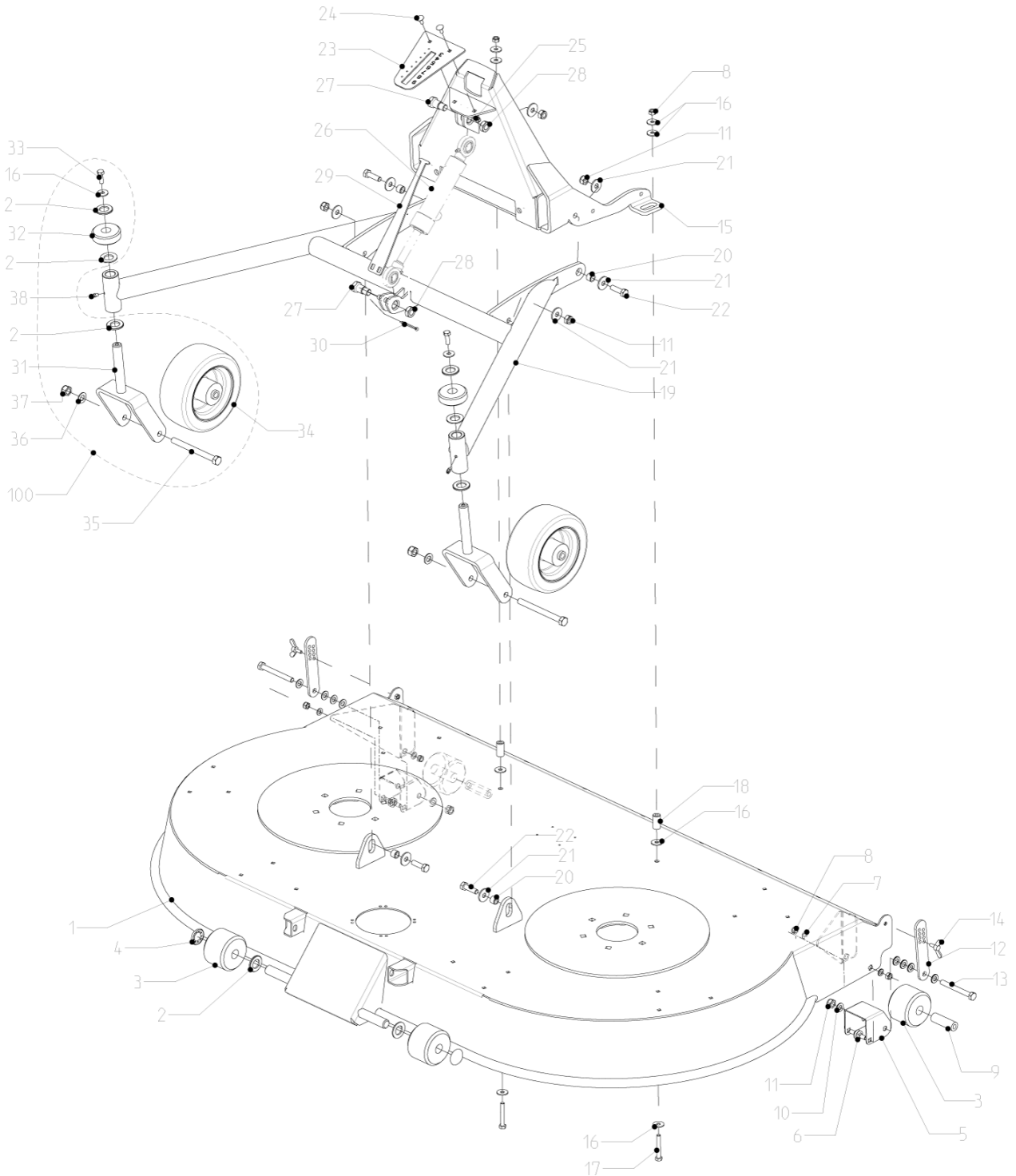
Pos	Part no.	Qty	Description
0	E70101031	1	LAWN MOWER/COLLECTOR
1	E61200995	1	A-FRAME MOWER
2	E03200400	2	STEEL BOLT FZB 8 - 55 MM
3	E03902020	12	SHIELD DISC FZB 8 MM 8.4/24X2
4	E03100160	4	STEEL BOLT FZB 8 - 30 MM
5	E03900040	4	DISC 8 MM
6	E61000078	2	PIPE BUSH FOR SHIELD
7	E61201635	1	PLATE
8	E03803060	6	LOCK NUT FZB 8 MM
9	E03501010	2	CARRIAGE BOLT A2 6 - 16 MM
10	E02709070	13	COVER PLUG
11	E03401200	2	ALLEN SCREW A2 6 - 16
12	E03804010	4	LOCK NUT A2 6 MM
13	E03905010	2	DISC A2 6 MM
14	E41202190	1	GRASS COLLECTOR
15	E04703280	1	SUCTION PIPE
16	E41001200	2	ROUND-NOSED TOOL
17	E70301031	1	GRASS COLLECT. KIT

Rotary/Mulch mower 1600-2250 - Suspension and 2250 ATTACHMENTS

11-09-2012

Part List ID
EGHATT33

76



Rotary/Mulch mower 1600-2250 - Suspencion and 2250 ATTACHMENTS

11-09-2012

Part List ID
EGHAI133

77

Pos	Part no.	Qty	Description
0	E70101231	1	MOWER 1610 MM
0	E70101241	1	ROTARY MOWER 1610 MM
1	E61201825	1	SHIELD
2	E03900100	10	DISC 20 MM
3	E09724020	1	NYLON WHEEL
4	E01906030	10	LOCK DISC Ø20 MM
5	E41109270	1	WHEEL PLATE
6	E03500040	10	CARRIAGE BOLT FZB 8 - 20 MM
7	E03900040	10	DISC 8 MM
8	E03803060	10	LOCK NUT FZB 8 MM
9	E61001319	1	TUBE FOR WHEEL
10	E03900050	10	DISC DIN 125B FZB 10 MM
11	E03803070	10	LOCK NUT FZB 10 MM 8.8
12	E61001419	1	ADJUSTING PLATE
13	E03200510	10	STEEL BOLT FZB 10 - 90 MM
14	E03709260	10	WING SCREW FZB M6 - 16 MM
15	E61201855	1	A-FRAME MOWER
16	E03902020	10	SHIELD DISC FZB 8 MM 8.4/24X2
17	E03200400	10	STEEL BOLT FZB 8 - 55 MM
18	E61000078	2	PIPE BUSH FOR SHIELD
19	E61201845	1	WHEEL SUSPENSION
20	E61000068	4	PIPE BUSH FOR SUSPENSION
21	E03902030	10	SHIELD DISC 10 MM 10.5/30X2.5
22	E03100230	10	STEEL BOLT FZB 10 - 35 MM
23	E09829490	1	HEIGHT SCALE
24	E03501010	10	CARRIAGE BOLT A2 6 - 16 MM
25	E03804010	10	LOCK NUT A2 6 MM
26	E04502010	1	HYDRAULIC CYLINDER DVL 30/16-70 MM
27	E61000428	2	BOLT
28	E61000689	2	STEEL NUT 45 CONE
29	E61101215	1	POINTER
30	E01902070	10	SPLIT PIN FZB 4 - 40 MM
31	E61201018	1	WHEEL FORK
32	E09720690	1	SUPPORT WHEEL Ø62X20
33	E03100130	10	STEEL BOLT FZB 8 - 16 MM
34	E01100300	1	WHEEL
35	E03200660	10	STEEL BOLT FZB 12 - 130 MM
36	E03900060	10	DISC 12 MM
37	E03803080	10	LOCK NUT FZB 12 MM
38	E02400020	10	OIL CUP M6
100	E90501665	1	WHEEL

Rotary/Mulch mower 1600-2250 - Hydraulic - 7010

2250 ATTACHMENTS

11-09-2012

Part List ID
EGHAI134

79

Pos	Part no.	Qty	Description
0	E70101231	1	MOWER 1610 MM
0	E70101241	1	ROTARY MOWER 1610 MM
1	E61201825	1	SHIELD
10	E03900050	10	DISC DIN 125B FZB 10 MM
11	E03803070	10	LOCK NUT FZB 10 MM 8.8
15	E61201855	1	A-FRAME MOWER
19	E61201845	1	WHEEL SUSPENSION
25	E03804010	10	LOCK NUT A2 6 MM
26	E04502010	1	HYDRAULIC CYLINDER DVL 30/16-70 MM
36	E03900060	10	DISC 12 MM
39	E04000570	1	HYDRAULIC MOTOR
40	E04000560	1	HYDRAULIC MOTOR
41	E03500250	10	CARRIAGE BOLT FZB 10 - 40 MM
42	E04120170	1	STRAIGHT SCREWING
43	E04120040	1	STRAIGHT SCREWING
44	E04120410	1	STRAIGHT SCREWING
45	E61000539	1	CLUTCH HOLDER
46	E09825060	1	SHIMS
47	E09722190	1	SEALING
48	E61000549	2	BUSH
49	E03100260	10	STEEL BOLT FZB 12 - 20 MM
50	E04501420	1	HYDRAULIC COUPLING 3/8. MALE.
51	E01901330	10	LOCKING PIN 32 MM
52	E04120160	1	STRAIGHT SCREWING
53	E04422200	1	RAPID HYDRAULIC HOSE 1/2. 610 MM.
54	E04422210	1	RAPID HYDRAULIC HOSE 1/2. 740 MM.
55	E04422440	1	RAPID HYDRAULIC HOSE 1/2. 610 MM.
56	E04501400	1	HYDRAULIC COUPLING 1/4. MALE.
57	E01901300	10	LOCKING PIN 30 MM
58	E04180310	1	ADJUSTABLE T
59	E04422220	1	RAPID HYDRAULIC HOSE 1/4. 410 MM.
60	E04422230	1	RAPID HYDRAULIC HOSE 1/4. 450 MM.
61	E04500020	10	SEALING RING 1/4.
62	E04422240	1	RAPID HYDRAULIC HOSE 1/4. 310 MM.
63	E04001720	1	NON-RETURN VALVE 1/4.
64	E03200080	10	STEEL BOLT FZB 6 - 45 MM
66	E04422260	1	RAPID HYDRAULIC HOSE 1/4. 300 MM.
67	E04422250	1	RAPID HYDRAULIC HOSE 1/4. 370 MM.
68	E41103700	1	FLAP
69	E09722040	1	FLAP
101	E04509080	1	GASKET SET
102	E01702050	1	BEARING
103	E04009030	1	GASKET SET

Rotary/Mulch mower 1600-2250 - Hydraulic - 7010

2250 ATTACHMENTS

11-09-2012

Part List ID

EGHA1134

80

Pos	Part no.	Qty	Description
104	E02300040	1	PARALLEL KEY 1/4. - 1/4. - 1.

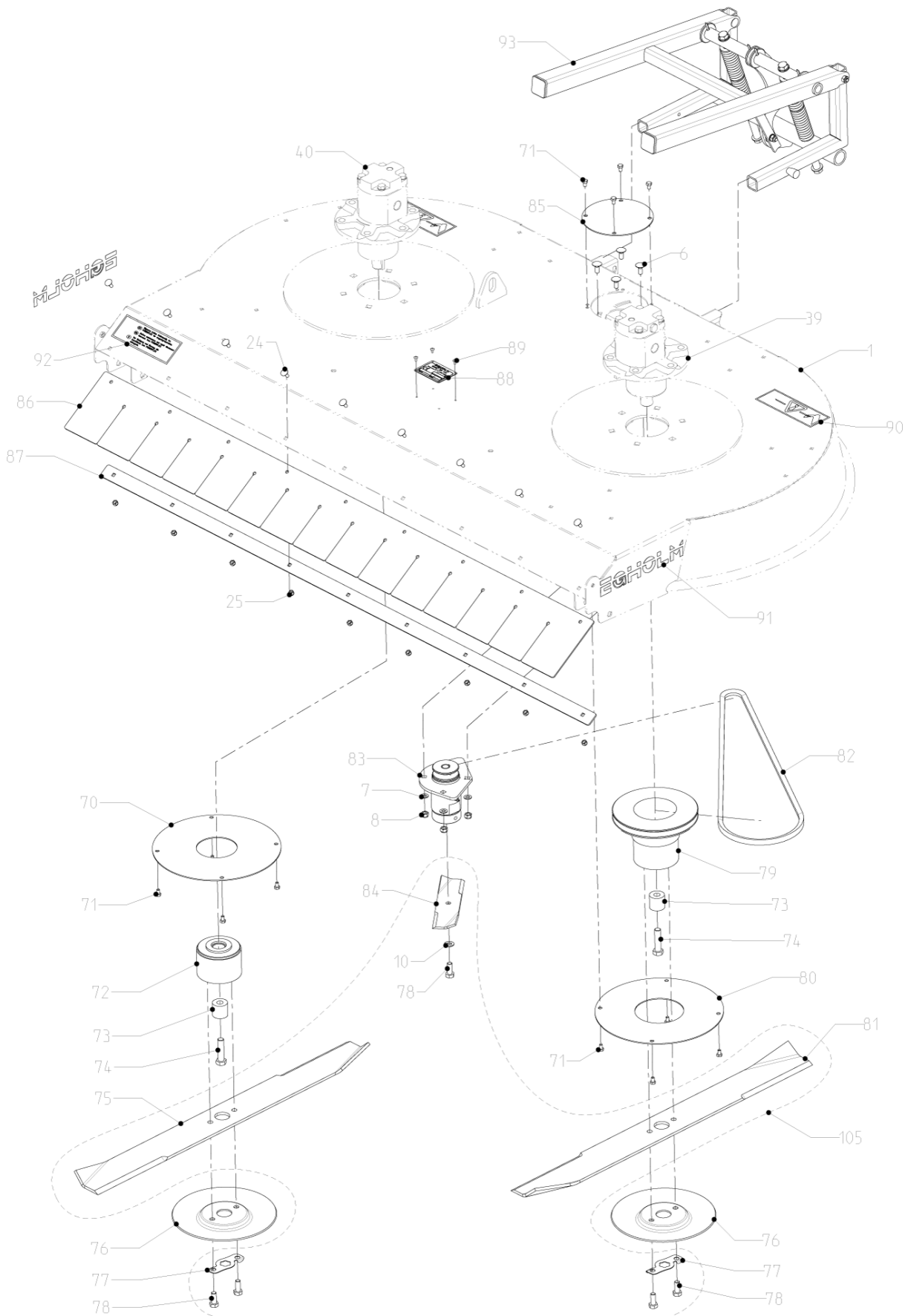
Rotary/Mulch mower 1600-2250 - Knives - 70101

2250 ATTACHMENTS

11-09-2012

Part List ID
EGHATT35

81



Rotary/Mulch mower 1600-2250 - Knives - 701012

11-09-2012

2250 ATTACHMENTS

Part List ID
EGHAI135

82

Pos	Part no.	Qty	Description
0	E70101231	1	MOWER 1610 MM
0	E70101241	1	ROTARY MOWER 1610 MM
1	E61201825	1	SHIELD
6	E03500040	10	CARRIAGE BOLT FZB 8 - 20 MM
7	E03900040	10	DISC 8 MM
8	E03803060	10	LOCK NUT FZB 8 MM
10	E03900050	10	DISC DIN 125B FZB 10 MM
24	E03501010	10	CARRIAGE BOLT A2 6 - 16 MM
25	E03804010	10	LOCK NUT A2 6 MM
39	E04000570	1	HYDRAULIC MOTOR
40	E04000560	1	HYDRAULIC MOTOR
70	E61001125	1	COVER LEFT
71	E03702040	10	SCREW 6-KT.FZB 6X10 MM
72	E61001149	1	KNIFE HOLDER BUSH
73	E61001339	1	KNIFE HOLDER BUSH
74	E03203050	10	STEEL BOLT FZB 1/2. - 51 MM.
75	E09723880	1	KNIFE LEFT
76	E61000389	1	PROTECTION SHIELD
77	E09824280	2	LOCKING PLATE
78	E03100210	10	STEEL BOLT FZB 10 - 25 MM
79	E61202309	1	KNIFE HOLDER BUSH
80	E61001115	1	COVER RIGHT
81	E09723870	1	KNIFE RIGHT
82	E01604280	1	V-BELT 1382MM
83	E80600006	1	BEARING
84	E09723890	1	KNIFE RIGHT
85	E61001135	1	COVER CENTRE
86	E09724030	1	SEALING PLATE
87	E09828120	1	PLASTIC BEARING
88	E03000010	1	MODEL PLATE
89	E02000020	10	RIVET 3.0 - 8.0 MM
90	E03001180	2	STICKER
91	E03004090	2	STICKER NILFISK
92	E03001130	1	STICKER
93	E80600007	1	STAND MOWER
105	E70301141	1	KNIFE SET 1610 MM

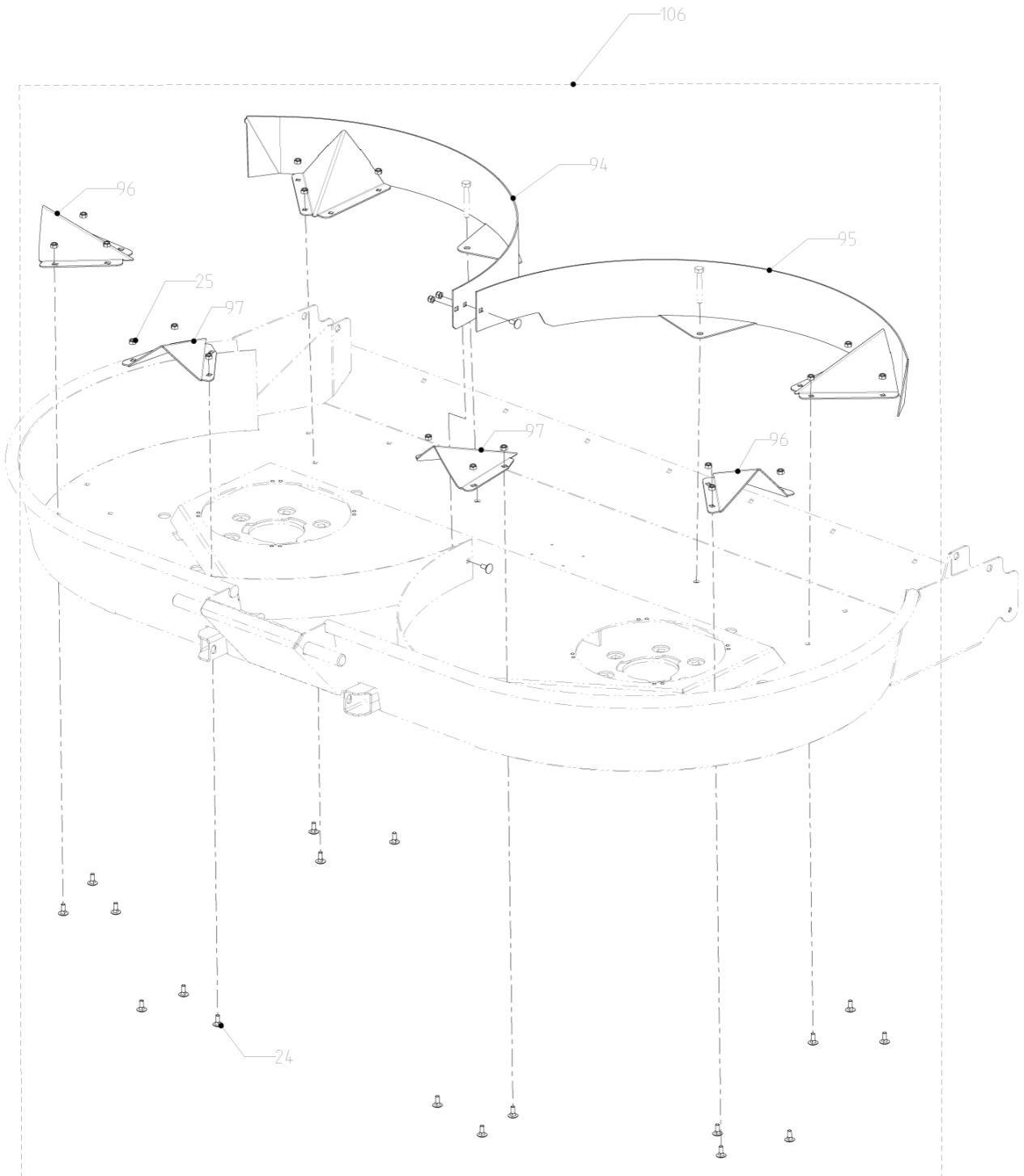
Rotary/Mulch mower 1600-2250 - Mulch-kit - 701

2250 ATTACHMENTS

11-09-2012

Part List ID
EGHATT36

83



Rotary/Mulch mower 1600-2250 - Mulch-kit - 7010

2250 ATTACHMENTS

11-09-2012

Part List ID

EGHAI136

84

Pos	Part no.	Qty	Description
0	E70101231	1	MOWER 1610 MM
0	E70101241	1	ROTARY MOWER 1610 MM
24	E03501010	10	CARRIAGE BOLT A2 6 - 16 MM
25	E03804010	10	LOCK NUT A2 6 MM
94	E41202830	1	MULTI INSET LEFT
95	E41202400	1	MULTI INSET RIGHT
96	E41108540	2	TRIANGULAR PLATE
97	E41108550	2	TRIANGULAR PLATE
106	E70301081	1	MULCH KIT 1610 MM

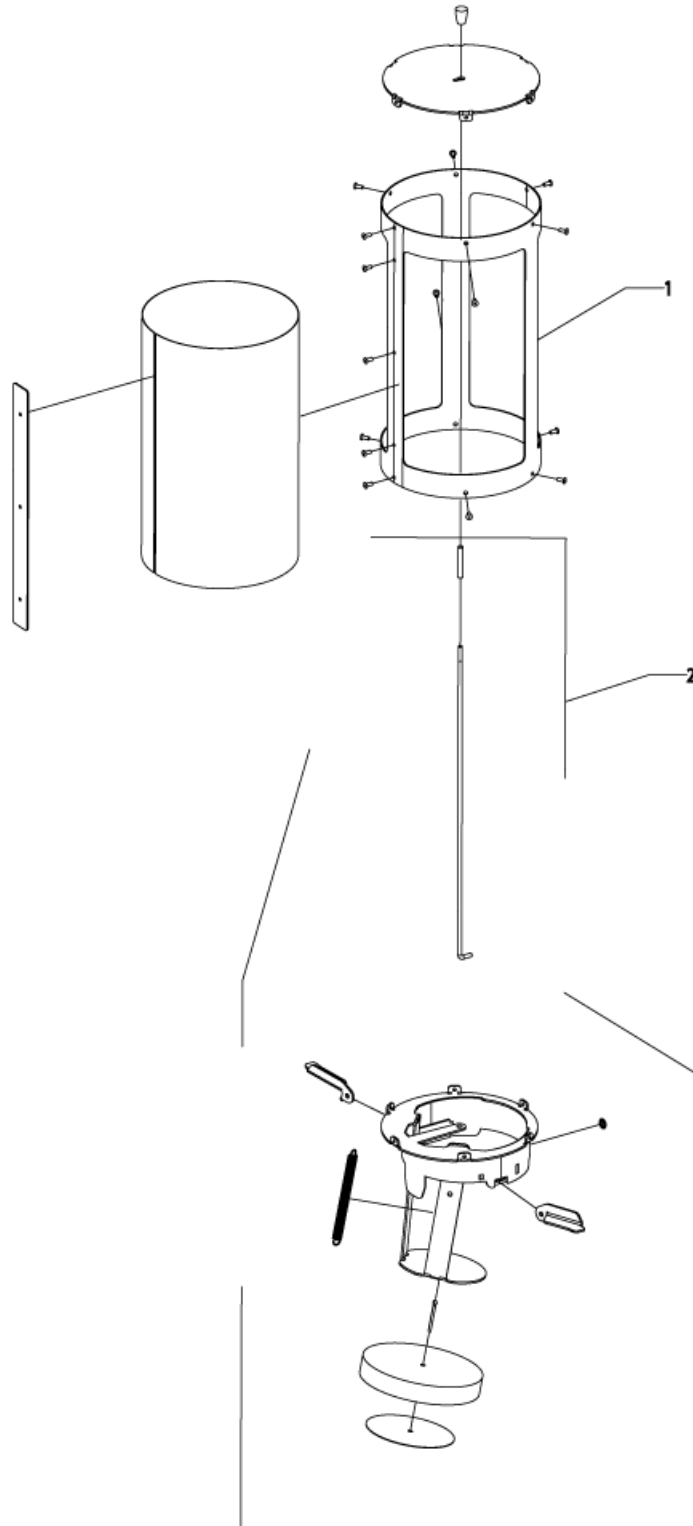
Perkins - Top filter - E70201081-03A

2250 ATTACHMENTS

11-09-2012

Part List ID
EGH2250PER26

85



Perkins - Top filter - E70201081-03A

2250 ATTACHMENTS

11-09-2012

Part List ID
E6GH2250PER26

86

Pos	Part no.	Qty	Description
0	E70101231	1	MOWER 1610 MM
0	E70101241	1	ROTARY MOWER 1610 MM

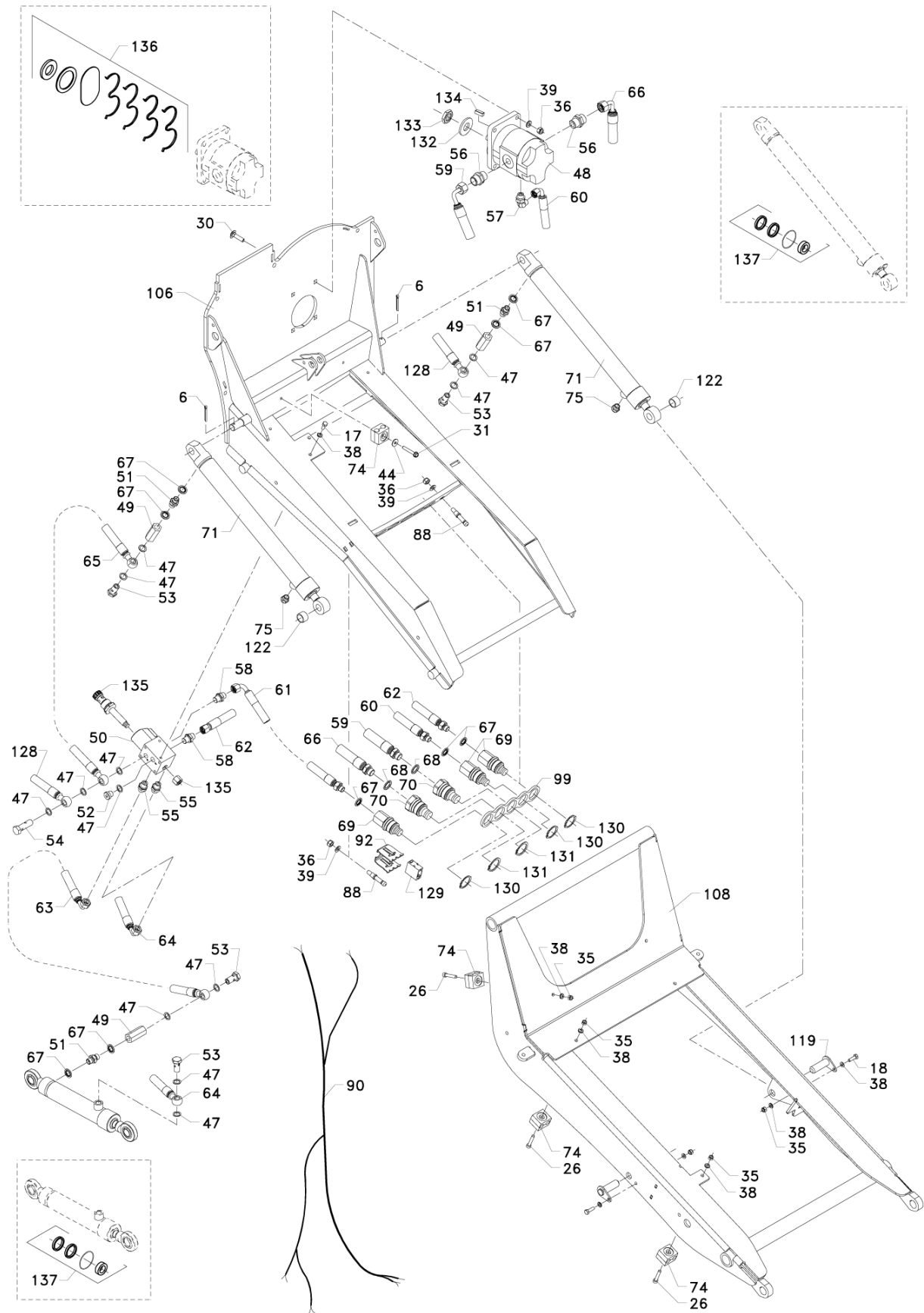
Hopper for grass collecting 2250 - Hydraulic, r

2250 ATTACHMENTS

11-09-2012

Part List ID
EGHATT38

87



15.02.2011

70101191-01A

Hopper for grass collecting 2250 - Hydraulic, n

2250 ATTACHMENTS

11-09-2012

Part List ID
EGHAI 138

88

Pos	Part no.	Qty	Description
0	E70101191	1	GRASS COLLECTOR
17	E03100080	10	STEEL BOLT FZB 6 - 16 MM
18	E03100090	10	STEEL BOLT FZB 6 - 20 MM
19	E01902060	10	SPLIT PIN FZB 4 - 32 MM
26	E03400120	10	ALLEN SCREW 6 - 35 MM
30	E03500220	10	CARRIAGE BOLT FZB 8 - 30 MM
31	E03702080	10	SCREW 6-KT.FZB 6X40 MM
35	E03803040	10	LOCK NUT FZB 6 MM
36	E03803060	1	LOCK NUT FZB 8 MM
38	E03900030	10	DISC 6 MM
39	E03900040	10	DISC 8 MM
44	E03902050	10	SHIELD DISC A2 6 MM 6.4/18X1.6
47	E03909070	10	COPPER DISC 1/4.
48	E04000280	1	HYDRAULIC MOTOR
49	E04001660	1	HOSE BREAK VALVE
50	E04001680	1	SWITCH VALVE 6/2 1/4.
51	E04100010	1	HYDR. BUSHING 1/4.
52	E04103010	1	HYDR. PLUG 1/4.
53	E04109060	1	BANJO HYDRAULIC BOLT 1/4.
54	E04109200	1	BANJO HYD. BOLT 1/4.
55	E04120040	1	STRAIGHT SCREWING
56	E04120170	1	STRAIGHT SCREWING
57	E04130510	1	ANGLED SCREWING 1/4.
58	E04120410	1	STRAIGHT SCREWING
59	E04421610	1	RAPID HYDRAULIC HOSE 1/2. 520 MM.
60	E04421620	1	RAPID HYDRAULIC HOSE 1/4. 435 MM.
61	E04421630	1	RAPID HYDRAULIC HOSE 1/4. 220 MM.
62	E04421640	1	RAPID HYDRAULIC HOSE 1/4. 310 MM.
63	E04421650	1	RAPID HYDRAULIC HOSE 1/4. 1850 MM.
64	E04421660	1	RAPID HYDRAULIC HOSE 1/4. 1780 MM.
65	E04421670	1	RAPID HYDRAULIC HOSE 1/4. 820 MM.
66	E04421690	1	RAPID HYDRAULIC HOSE 1/2. 580 MM.
67	E04500020	10	SEALING RING 1/4.
68	E04500030	10	SEALING RING 3/8.
69	E04501400	1	HYDRAULIC COUPLING 1/4. MALE.
70	E04501420	1	HYDRAULIC COUPLING 3/8. MALE.
71	E04502090	1	HYDRAULIC CYLINDER DVS 30/16-315 MM
74	E04503030	2	HYDR. PIPE CLAMP
74	E04503040	2	PLATE
75	E04601020	1	SILENCER 1/4.
88	E09923220	1	TAP FOR CONNECTING
90	E30000770	1	WIRING
92	E41104380	1	ELECTRIC CLIPS

Hopper for grass collecting 2250 - Hydraulic, n

2250 ATTACHMENTS

11-09-2012

Part List ID
EGHAI 138

89

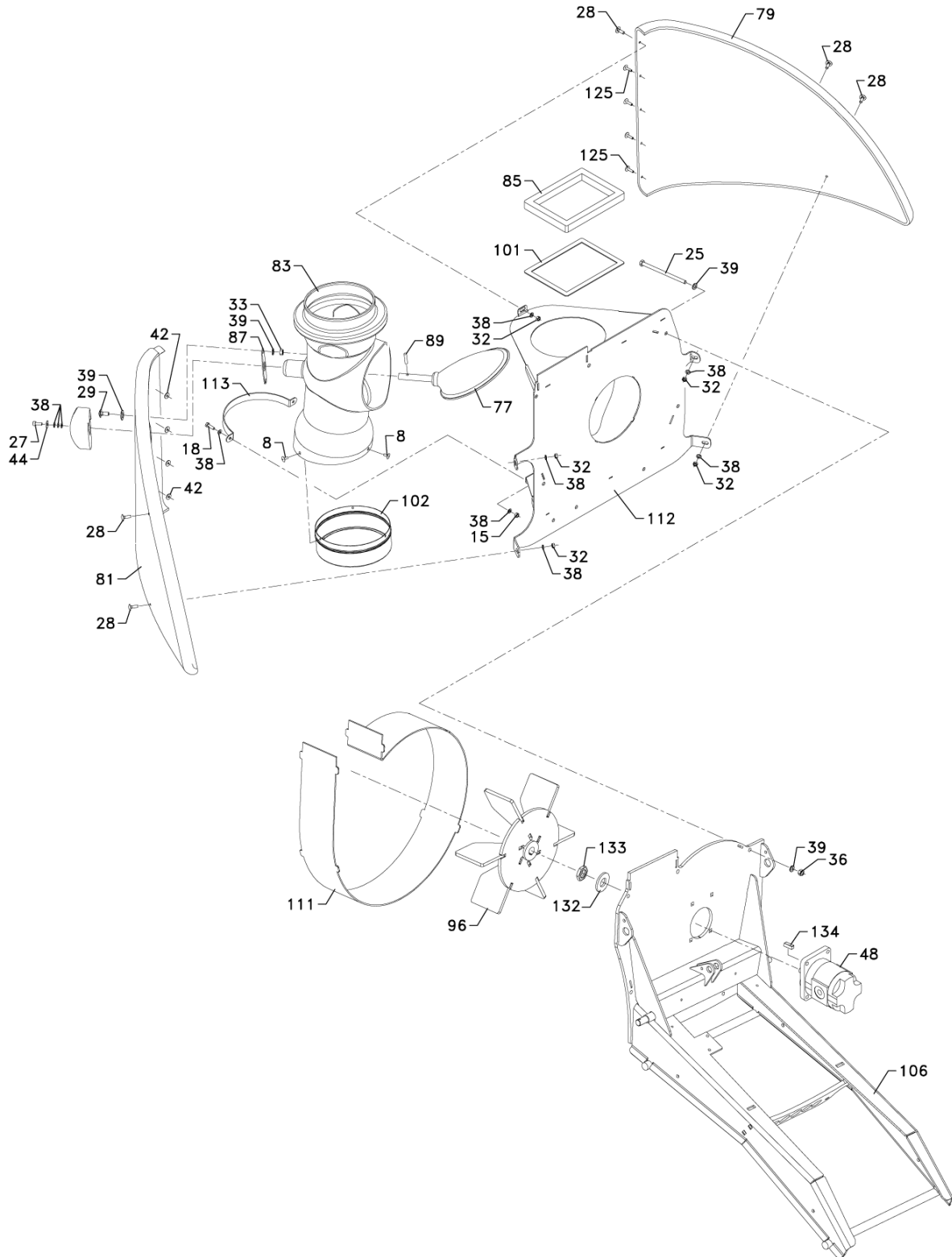
Pos	Part no.	Qty	Description
99	E61000829	1	COUPLING PLATE
106	E61201925	1	CHASSIS
108	E61201945	1	CHASSIS TIPPING PART
119	E61202059	1	AXLE SHORT
122	E61202089	1	SPACING PIPE
128	E04421670	1	RAPID HYDRAULIC HOSE 1/4. 820 MM.
129	E05004360	1	SOCKET MALE
130	E01901300	1	LOCKING PIN 30 MM
131	E01901330	1	LOCKING PIN 32 MM
134	E02300100	1	PARALLEL KEY 4X6.5 MM
136	E04009270	1	GASKET SET
137	E04509080	1	GASKET SET

Hopper for grass collecting 2250 - Damper and 2250 ATTACHMENTS

11-09-2012

Part List ID
EGHATT39

90



Hopper for grass collecting 2250 - Damper and 2250 ATTACHMENTS

11-09-2012

Part List ID
EGHAI 139

91

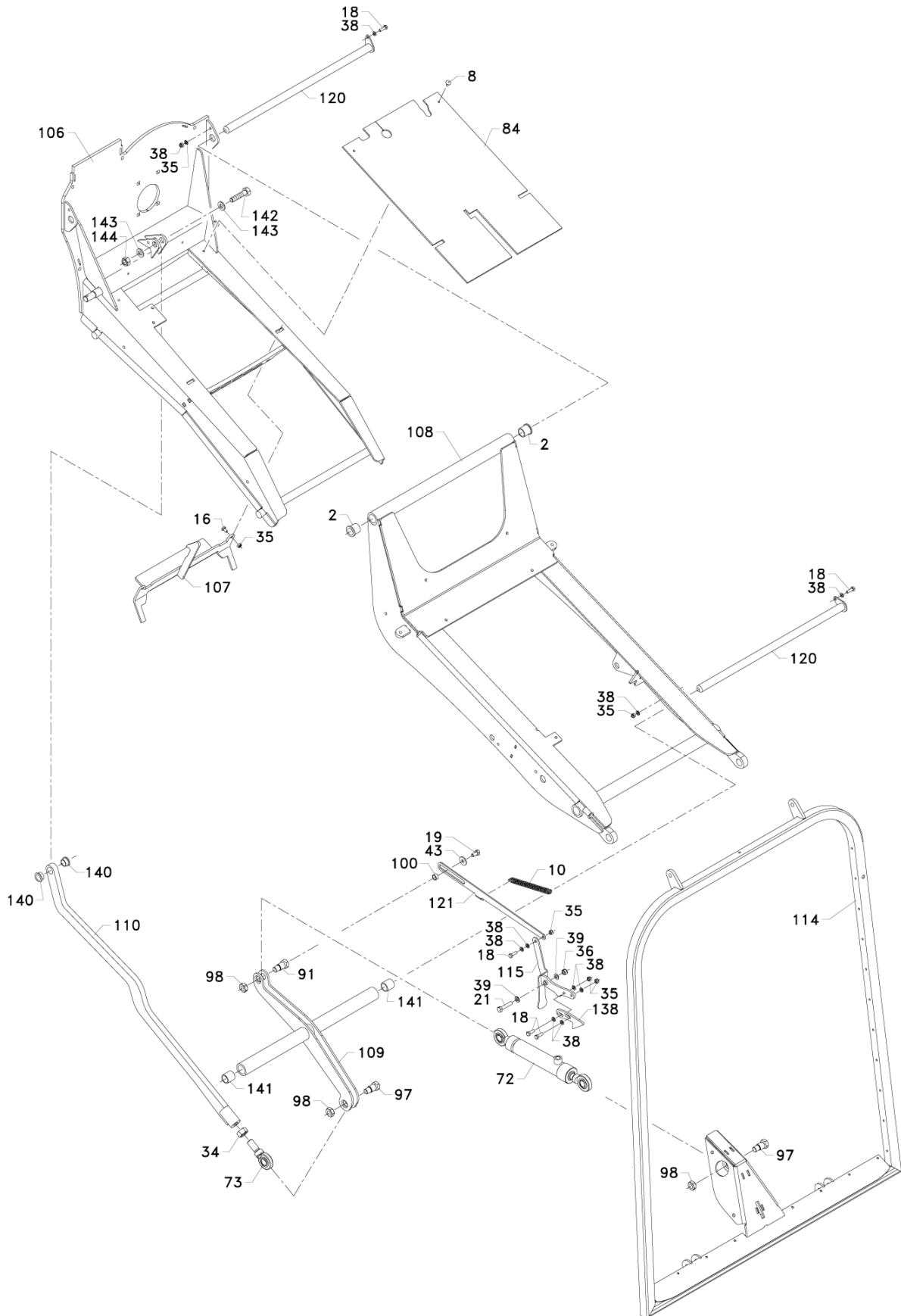
Pos	Part no.	Qty	Description
0	E70101191	1	GRASS COLLECTOR
8	E02000170	10	RIVET 4.8 - 12 MM
15	E03803040	10	LOCK NUT FZB 6 MM
18	E03100090	10	STEEL BOLT FZB 6 - 20 MM
25	E03200830	4	STEEL BOLT FZB 8 - 140 MM
27	E03403070	1	ALLEN SCREW A2 6 - 16 MM
28	E03500020	10	CARRIAGE BOLT FZB 6 - 20 MM
29	E03500040	10	CARRIAGE BOLT FZB 8 - 20 MM
32	E03800030	10	STEEL NUT FZB 6 MM
33	E03800050	10	STEEL NUT FZB 8 MM
36	E03803060	10	LOCK NUT FZB 8 MM
38	E03900030	10	DISC 6 MM
39	E03900040	10	DISC 8 MM
42	E03902000	10	SHIELD DISC FZB 5 MM 5.3/15X1.2
44	E03902050	10	SHIELD DISC A2 6 MM 6.4/18X1.6
48	E04000280	1	HYDRAULIC MOTOR
77	E09722290	1	SWIVEL DAMPER
79	E09723680	1	GRASS COLLECTOR
81	E09723700	1	GRASS COLLECTOR
83	E09723780	1	SWITCH VALVE
85	E09723970	1	SEAL TANK INDICATOR
87	E09827550	1	SUPPORT PLATE
89	E09922160	1	PIN
96	E41202350	1	TURBINE
101	E61001255	1	SUPPORT FOR SEAL
102	E61001270	1	EXTENSION F. SUCTION
106	E61201925	1	CHASSIS
111	E61201975	1	SWADDLING-CLOTHES
112	E61201985	1	FRONT PART
113	E61201995	1	RING
125	E02000180	11	RIVET 4.8 - 20 MM
134	E02300100	1	PARALLEL KEY 4X6.5 MM

Hopper for grass collecting 2250 - Chassis and 2250 ATTACHMENTS

11-09-2012

Part List ID
EGHATT40

92



15.02.2011

70101191-03A

Hopper for grass collecting 2250 - Chassis and 2250 ATTACHMENTS

11-09-2012

Part List ID
EGHAI140

93

Pos	Part no.	Qty	Description
0	E70101191	1	GRASS COLLECTOR
2	E01609180	1	COLLAR LINING
3	E01609180	1	COLLAR LINING
8	E02000170	120	RIVET 4.8 - 12 MM
10	E02202100	1	TENSION SPRING 510 1.50-16-110 MM
16	E03100060	10	STEEL BOLT FZB 6 - 10 MM
18	E03100090	10	STEEL BOLT FZB 6 - 20 MM
19	E03100130	10	STEEL BOLT FZB 8 - 16 MM
21	E03100180	10	STEEL BOLT FZB 8 - 40 MM
34	E03800090	1	STEEL NUT FZB 16 MM
35	E03803040	10	LOCK NUT FZB 6 MM
36	E03803060	10	LOCK NUT FZB 8 MM
38	E03900030	10	DISC 6 MM
39	E03900040	10	DISC 8 MM
43	E03902020	10	SHIELD DISC FZB 8 MM 8.4/24X2
72	E04502210	1	HYDRAULIC CYLINDER DVL 30/16-120
73	E04502220	1	ADJUSTABLE JOINT
84	E09723960	1	PIPE COVER F. HEATER 604 MM
91	E09923550	1	BOLT
97	E61000428	1	BOLT
98	E61000689	1	STEEL NUT 45 CONE
100	E61001220	1	SPACER RING
106	E61201925	1	CHASSIS
107	E61201935	1	HOOK
108	E61201945	1	CHASSIS TIPPING PART
109	E61201955	1	ROCKER ARM
110	E61202835	1	CONNECTING ROD
114	E61202005	1	HANGER REAR
115	E61202015	1	HOOK
119	E61202059	1	AXLE SHORT
120	E61202069	1	AXLE LONG
121	E61202079	1	ROD FOR LOCK
140	E61001649	1	PIPE BUSH
141	E01609220	1	COLLAR LINING
142	E03200410	1	STEEL BOLT FZB 16 - 60 MM
143	E03900080	1	DISC 16 MM
144	E03803100	1	LOCK NUT FZB 16 MM

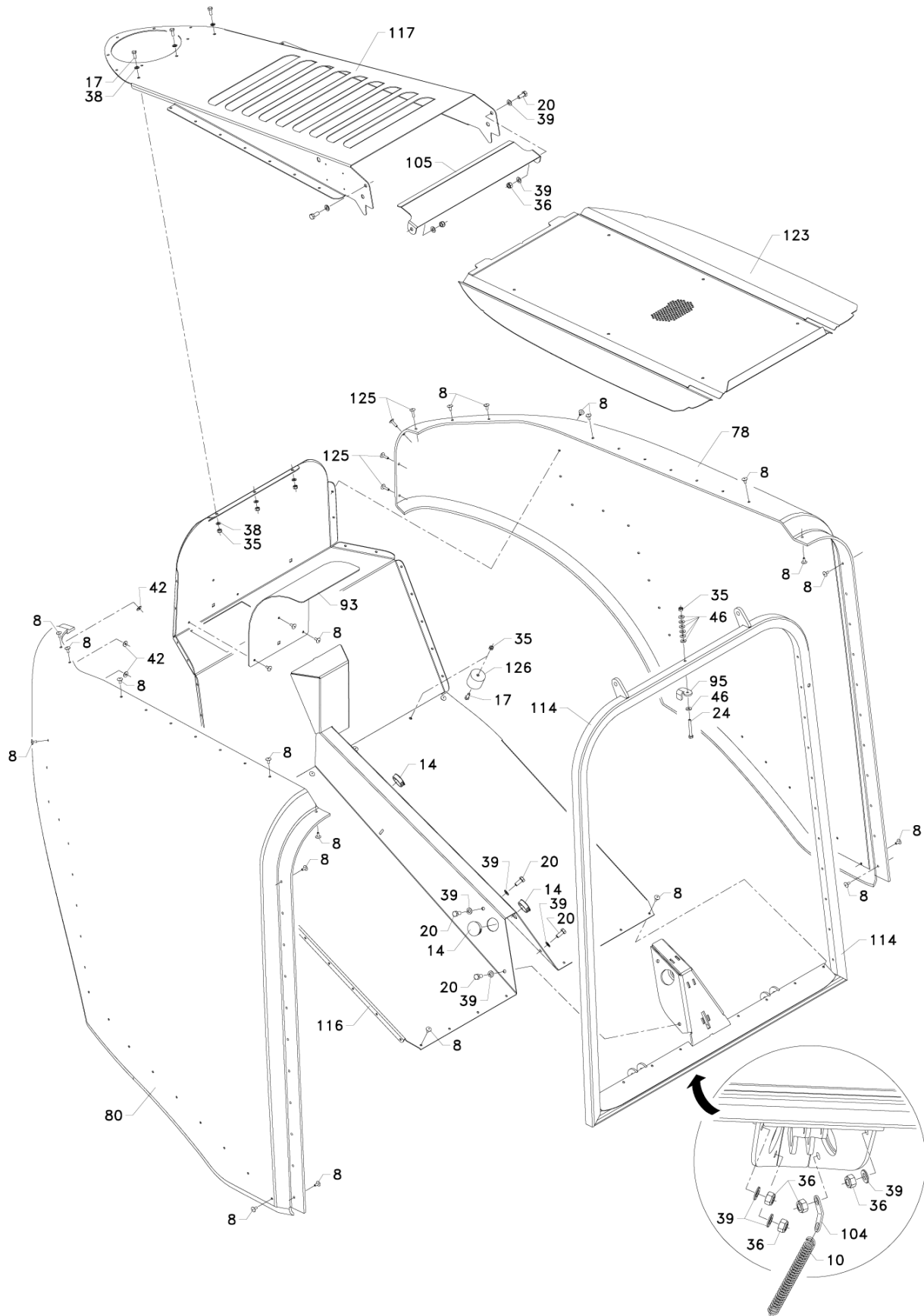
Hopper for grass collecting 2250 - Side and to

2250 ATTACHMENTS

11-09-2012

Part List ID
EGHATT41

94



15.02.2011

70101191-04A

Hopper for grass collecting 2250 - Side and to 2250 ATTACHMENTS

11-09-2012

Part List ID
EGHAI 141

95

Pos	Part no.	Qty	Description
0	E70101191	1	GRASS COLLECTOR
8	E02000170	120	RIVET 4.8 - 12 MM
10	E02202100	1	TENSION SPRING 510 1.50-16-110 MM
14	E02709090	1	COVER PLUG
17	E03100080	10	STEEL BOLT FZB 6 - 16 MM
20	E03100140	10	STEEL BOLT FZB 8 - 20 MM
24	E03200090	10	STEEL BOLT FZB 6 - 50 MM
35	E03803040	10	LOCK NUT FZB 6 MM
36	E03803060	10	LOCK NUT FZB 8 MM
38	E03900030	10	DISC 6 MM
39	E03900040	10	DISC 8 MM
42	E03902000	10	SHIELD DISC FZB 5 MM 5.3/15X1.2
45	E03903070	10	SHIELD DISC FZB 1/4.X35X1.25
46	E03906000	10	PLATE SPRING 15 - 6.2 - 0.7 MM
78	E09723670	1	GRASS COLLECTOR
80	E09723690	1	GRASS COLLECTOR
93	E41108390	1	SHIELD
95	E41108770	1	FILTER LOCK
104	E61101379	1	SPRING HOLDER
105	E61101395	1	VALVE FOR ROOF
114	E61202005	1	HANGER REAR
116	E61202025	1	TANK BOTTOM
117	E61202035	1	TANK ROOF
123	E61202220	1	GRASS FILTER Ø5
123	E61202539	1	GRASS FILTER Ø10
123	E70301071	1	PLASTIC PANEL
125	E02000180	11	RIVET 4.8 - 20 MM
126	E02701190	1	DOOR HOLDER FEMALE

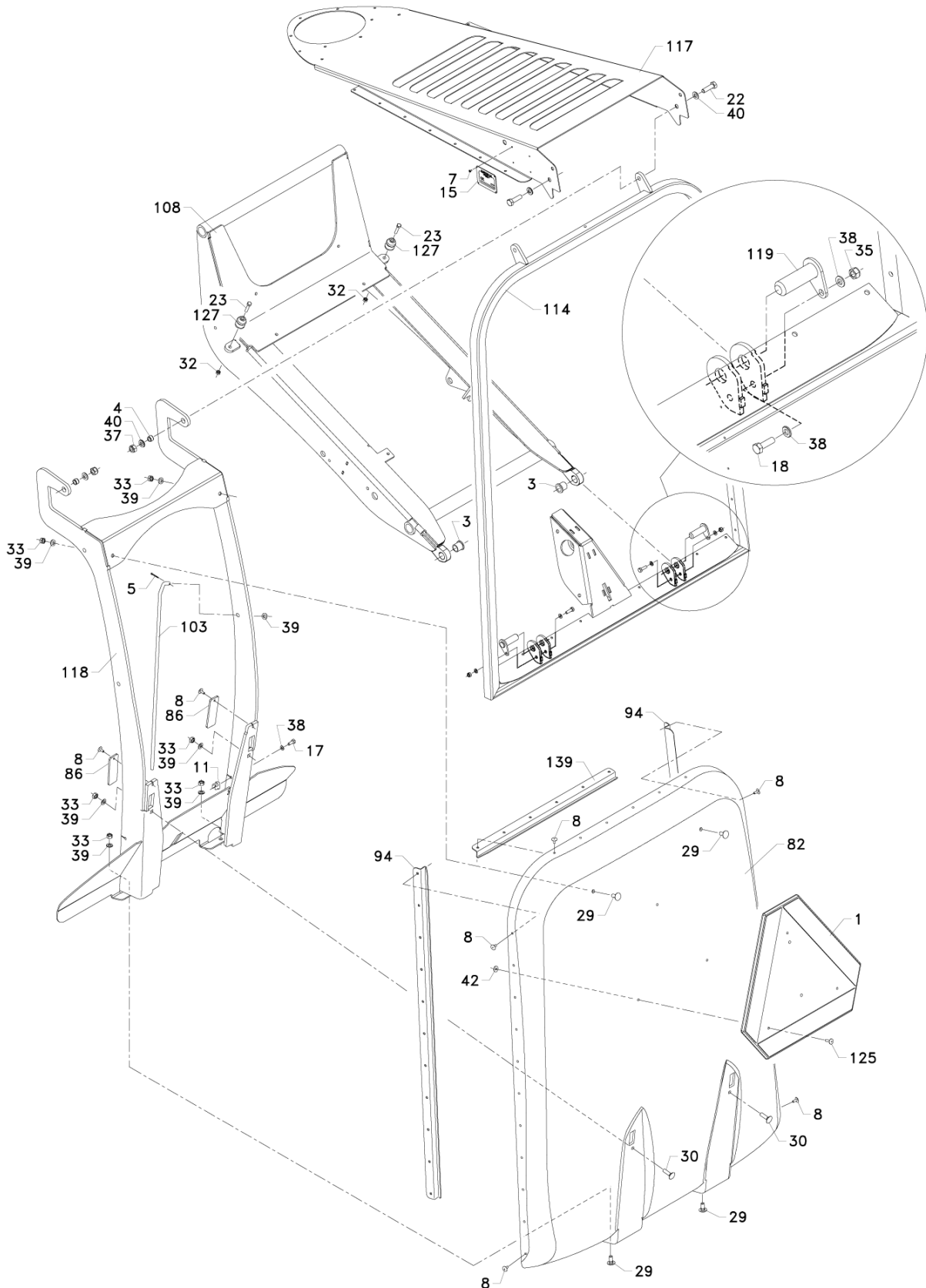
Hopper for grass collecting 2250 - Tailgate an

2250 ATTACHMENTS

11-09-2012

Part List ID
EGHATT42

96



15.02.2011

70101191-05A

Hopper for grass collecting 2250 - Tailgate an

2250 ATTACHMENTS

11-09-2012

Part List ID
EGHAI142

97

Pos	Part no.	Qty	Description
0	E70101191	1	GRASS COLLECTOR
1	E01109150	1	WARNING TRIANGLE 1415 100100
3	E01609190	1	COLLAR LINING
4	E01702180	1	INNER RING Ø10X14X09
5	E01902020	1	SPLIT PIN FZB 2.5 - 20 MM
7	E02000020	4	RIVET 3.0 - 8.0 MM
8	E02000170	10	RIVET 4.8 - 12 MM
11	E02609080	1	PIPE CLIPS 8 MM
15	E03000010	1	MODEL PLATE
17	E03100080	10	STEEL BOLT FZB 6 - 16 MM
18	E03100090	10	STEEL BOLT FZB 6 - 20 MM
22	E03100230	10	STEEL BOLT FZB 10 - 35 MM
23	E03200050	10	STEEL BOLT FZB 6 - 30 MM
29	E03500040	10	CARRIAGE BOLT FZB 8 - 20 MM
30	E03500220	10	CARRIAGE BOLT FZB 8 - 30 MM
32	E03800030	10	STEEL NUT FZB 6 MM
33	E03800050	10	STEEL NUT FZB 8 MM
35	E03803040	10	LOCK NUT FZB 6 MM
37	E03803070	10	LOCK NUT FZB 10 MM 8.8
38	E03900030	10	DISC 6 MM
39	E03900040	10	DISC 8 MM
40	E03900050	10	DISC DIN 125B FZB 10 MM
42	E03902000	10	SHIELD DISC FZB 5 MM 5.3/15X1.2
82	E09723730	1	REAR HATCH
86	E09724000	1	HOOK COVER 604 MM
94	E41108420	1	AMPLIFICATION BAR
103	E61001309	1	ROD
108	E61201945	1	CHASSIS TIPPING PART
114	E61202005	1	HANGER REAR
117	E61202035	1	TANK ROOF
118	E61202045	1	CHASSIS REAR HATCH
119	E61202059	1	AXLE SHORT
125	E02000080	2	RIVET 4.8 - 20 MM
127	E02701200	1	DOOR HOLDER MALE
138	E61001615	1	HOOK

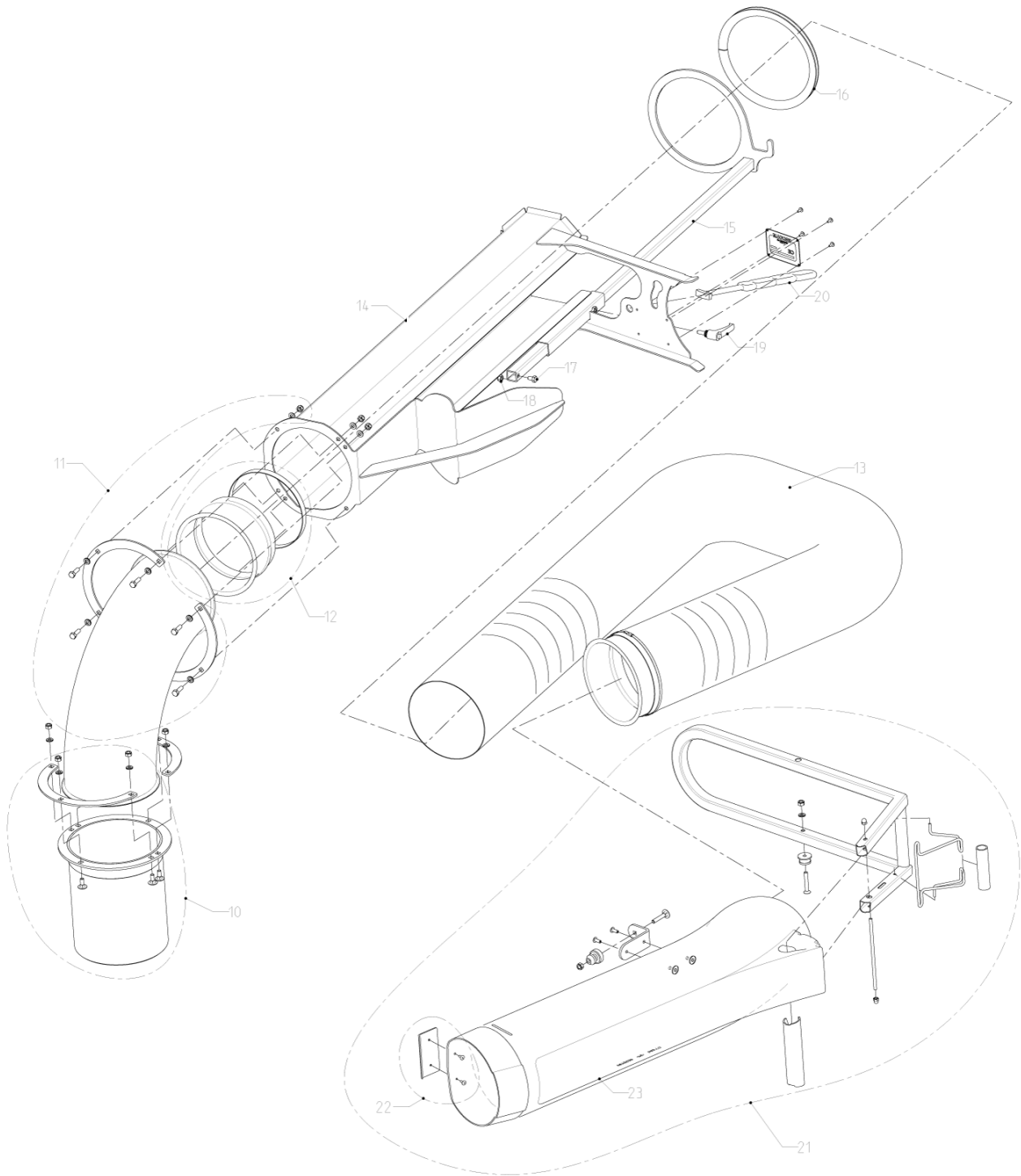
Hopper for grass collecting 2250 - Leaf collec

2250 ATTACHMENTS

11-09-2012

Part List ID
EGHATT43

98



Hopper for grass collecting 2250 - Leaf collector

2250 ATTACHMENTS

11-09-2012

Part List ID
EGHAI143

99

Pos	Part no.	Qty	Description
0	E70101191	1	GRASS COLLECTOR
10	E70501161	1	HOSE KIT
11	E70501151	1	HOSE BEND KIT
12	E70501211	1	KIT HOSE COUPLING
13	E70501131	1	SUCTION PIPE 6 M
14	E61201815	1	HOSE PIPE
15	E61202379	1	HOSE TEE
16	E01201011	0	EDGING BEADING
17	E03100060	10	STEEL BOLT FZB 6 - 10 MM
18	E03803040	10	LOCK NUT FZB 6 MM
19	E01302000	1	ADJUSTABLE HANDLE
20	E01308070	1	RUBBER BAND
21	E70501191	1	KIT MOUTH PIECE
22	E70501231	1	KIT WEAR PLATE
23	E09724090	1	NOZZLE

Hopper for grass collecting 2250 - Mounting f

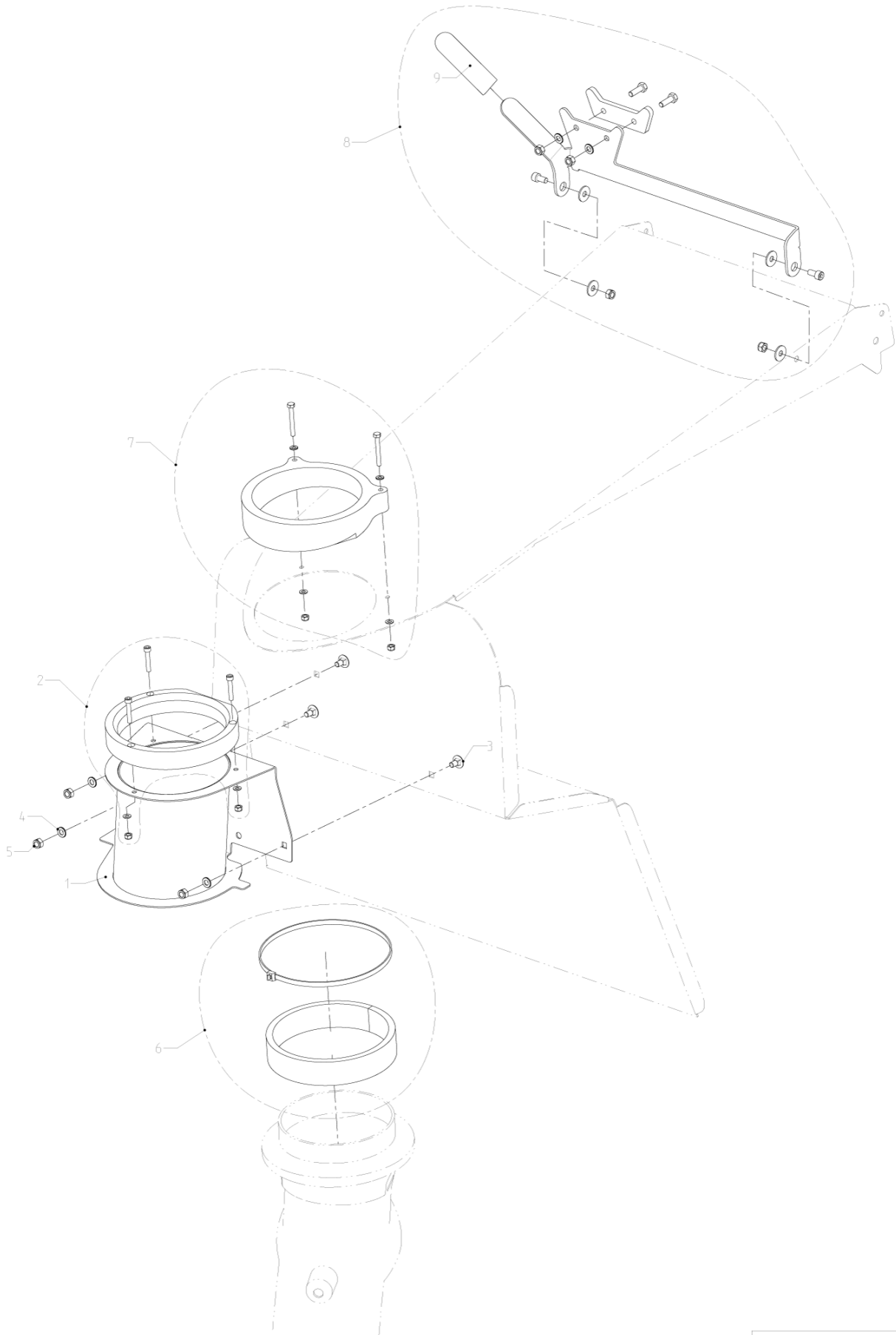
2250 ATTACHMENTS

11-09-2012

Part List ID

EGHATT44

100



Hopper for grass collecting 2250 - Mounting f

2250 ATTACHMENTS

11-09-2012

Part List ID
EGHAI144

101

Pos	Part no.	Qty	Description
0	E70101191	1	GRASS COLLECTOR
1	E61202369	1	CONSOLE
2	E70501181	1	KIT BOTTOM STEER
3	E03500230	10	CARRIAGE BOLT FZB 8 - 16 MM
4	E03900040	10	DISC 8 MM
5	E03803060	10	LOCK NUT FZB 8 MM
6	E70501221	1	SEAL KIT
7	E70501171	1	KIT TOP STEER
8	E70501201	1	KIT TRANSPORT LOCK
9	E02701250	1	COVER FOR HANDLE

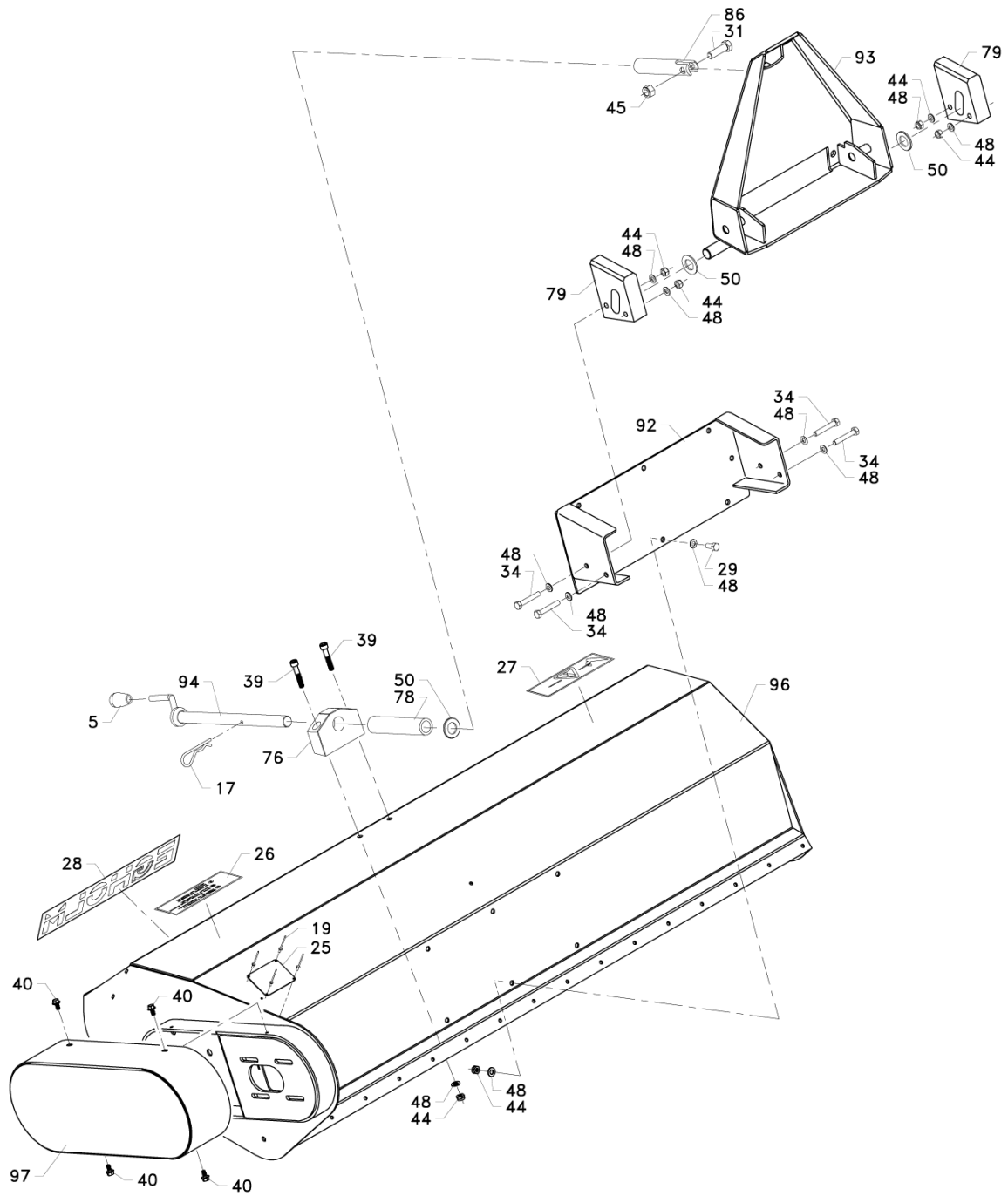
Flail mower/Verticutter 2250 - A-frame and shield

2250 ATTACHMENTS

11-09-2012

Part List ID
EGHATT45

102



Flail mower/Verticutter 2250 - A-frame and shie

2250 ATTACHMENTS

11-09-2012

Part List ID
EGHAI145

103

Pos	Part no.	Qty	Description
0	E70101041	1	FLAIL MOWER
5	E01302110	1	HANDLE
17	E01904030	1	SPLIT-PIN FZB 4 MM
19	E02000010	4	RIVET 2.4 - 7.5 MM
22	E02400020	1	OIL CUP M6
25	E03000010	1	MODEL PLATE
26	E03001130	1	STICKER
27	E03001180	1	STICKER
28	E03004090	1	STICKER NILFISK
29	E03100140	10	STEEL BOLT FZB 8 - 20 MM
31	E03100300	10	STEEL BOLT FZB 12 - 40 MM
34	E03200150	10	STEEL BOLT FZB 8 - 50 MM
39	E03404040	10	ALLEN SCREW 8 - 45 MM
40	E03702040	10	SCREW 6-KT.FZB 6X10 MM
44	E03803060	10	LOCK NUT FZB 8 MM
45	E03803080	10	LOCK NUT FZB 12 MM
48	E03900040	10	DISC 8 MM
50	E03900100	10	DISC 20 MM
76	E09701510	1	PLASTIC BEARING
78	E09701540	1	SPACER Ø30/21-145
79	E09722030	2	NYLON BLOCK
86	E60001328	1	SCREW PIPE
92	E61200960	1	SUPPORT
93	E61200975	1	A-FRAME FLAIL MOWER
94	E61200988	1	HANDLE
96	E61201235	1	SHIELD
97	E61201245	1	TRANSMISSION SCREEN

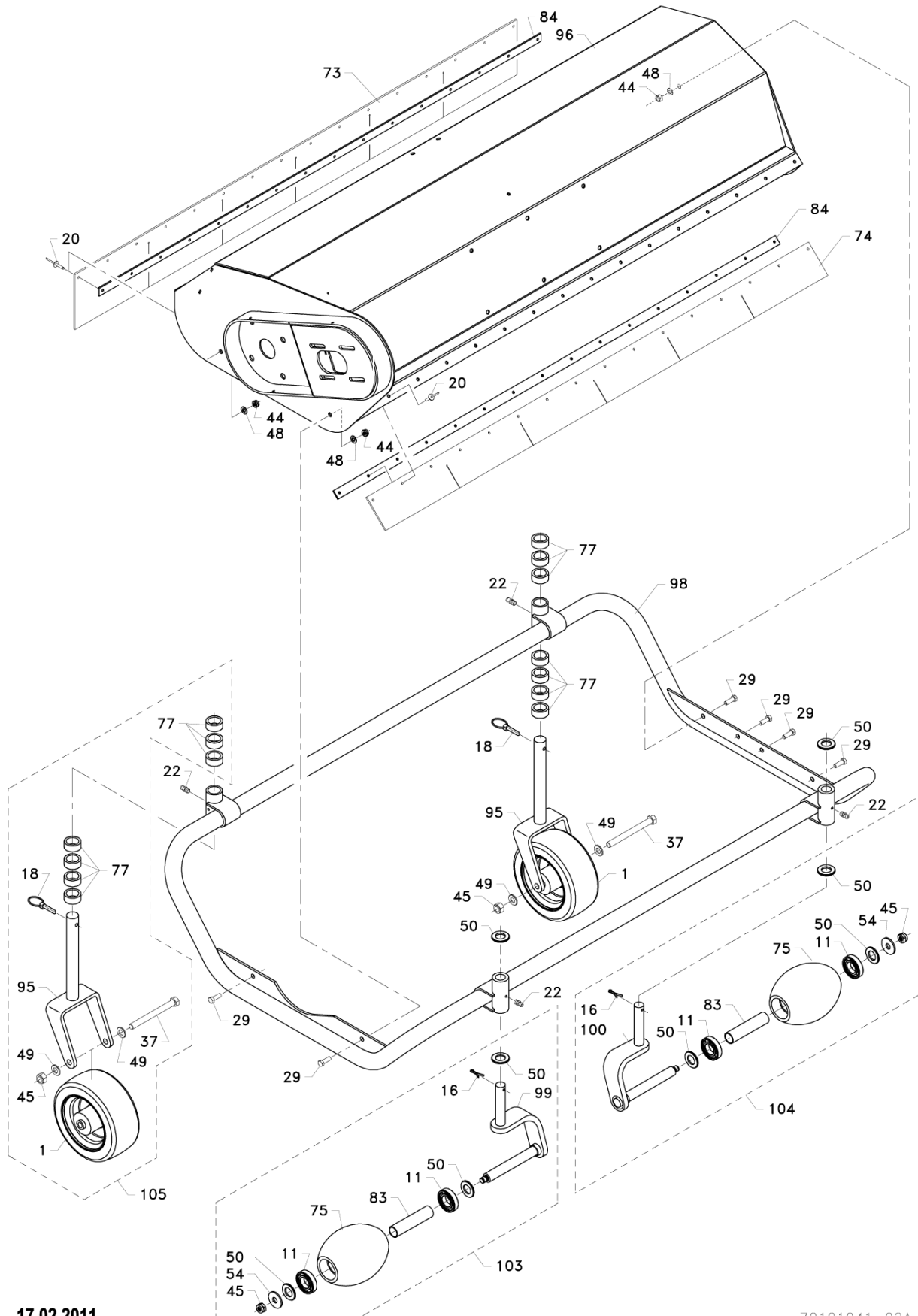
Flail mower/Verticutter 2250 - Wheel and brace

2250 ATTACHMENTS

11-09-2012

Part List ID
EGHATT46

104



17.02.2011

70101041-02A

Flail mower/Verticutter 2250 - Wheel and brace

11-09-2012

Part List ID
EGHAI 146

2250 ATTACHMENTS

105

Pos	Part no.	Qty	Description
0	E70101041	1	FLAIL MOWER
1	E01100300	1	WHEEL
11	E01700040	2	BEARING HOUSE 6204 2RS
16	E01902060	10	SPLIT PIN FZB 4 - 32 MM
18	E01905030	1	FUSE PIN 4.5 - 37 MM
20	E02000080	10	RIVET 4.8 - 20 MM
24	E02400020	10	OIL CUP M6
29	E03100140	10	STEEL BOLT FZB 8 - 20 MM
37	E03200660	10	STEEL BOLT FZB 12 - 130 MM
44	E03803060	10	LOCK NUT FZB 8 MM
45	E03803080	10	LOCK NUT FZB 12 MM
48	E03900040	10	DISC 8 MM
49	E03900060	10	DISC 12 MM
50	E03900100	10	DISC 20 MM
54	E03902040	10	SHIELD DISC FZB 12 MM 13/37X3
73	E09700280	1	PROTECTION SHIELD
74	E09700290	1	PROTECTION SHIELD
75	E09701270	1	RUBBER WHEEL Ø120-152
77	E09701530	1	SPACER RING Ø35/26-15
83	E20001800	1	PIPE BUSH
84	E20012770	1	ALU. SLIDE BAR
95	E61201028	1	WHEEL FORK
96	E61201235	1	SHIELD
98	E61201250	1	PIPE FRAME
99	E61201269	1	SWIVEL WHEEL FITTING
100	E61201279	1	SWIVEL WHEEL FITTING
103	E70501081	1	WHEEL KIT LEFT
104	E70501091	1	WHEEL KIT RIGHT
105	E70501071	1	WHEEL KIT

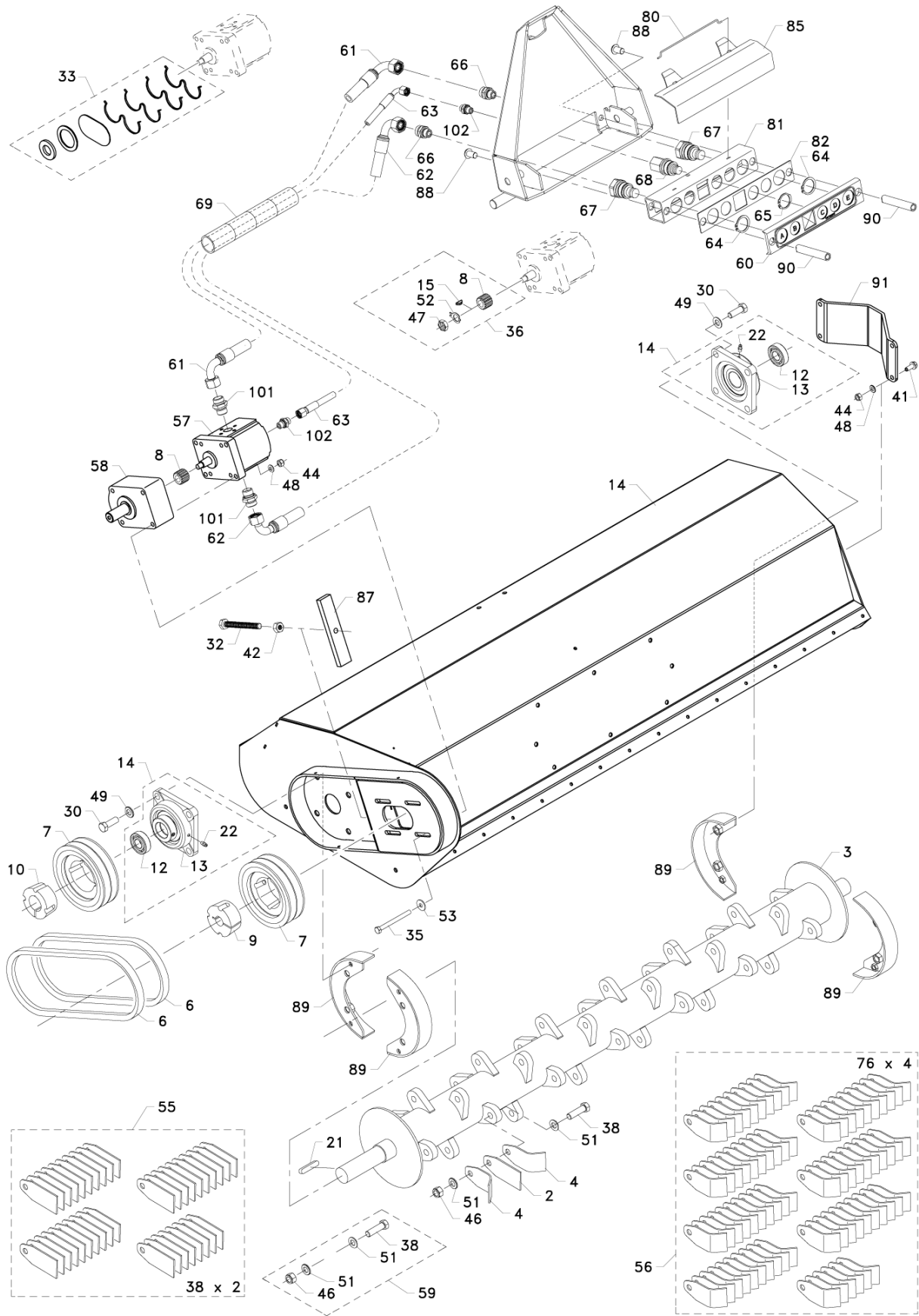
Flail mower/Verticutter 2250 - Hydraulic, axle a

2250 ATTACHMENTS

11-09-2012

Part List ID
EGHATT47

106



17.02.2011

70101041-03A

Flail mower/Verticutter 2250 - Hydraulic, axle a

2250 ATTACHMENTS

11-09-2012

Part List ID
EGHAI147

107

Pos	Part no.	Qty	Description
0	E70101041	1	FLAIL MOWER
2	E01109710	1	VERTICUTTER KNIFE
3	E01109700	1	ROTOR SHAFT
4	E01109720	1	BLADE CURVED
6	E01604020	2	V-BELT
7	E01605020	1	POLY DISC
8	E01609110	1	TOOTH BUSH
9	E01609120	1	TAPER LOCK BUSH 2012 22 MM
10	E01609130	1	TAPER LOCK BUSH 2012 35 MM
12	E01700100	1	BEARING HOUSE
13	E01701060	1	BEARING HOUSE
14	E01701060	1	BEARING HOUSE
21	E02300060	1	PARALLEL KEY 10 - 8 - 50 MM
22	E02400020	1	OIL CUP M6
23	E02300200	1	PARALLEL KEY 3X6.5
30	E03100290	10	STEEL BOLT FZB 12 - 35 MM
32	E03100420	10	STEEL BOLT FZB 12 - 110 MM
33	E04009590	1	GASKET SET
35	E03200190	10	STEEL BOLT FZB 8 - 90 MM
38	E03203050	38	STEEL BOLT FZB 1/2. - 51 MM.
41	E03702100	10	SCREW 6-KT.FZB 8X20 MM
42	E03800070	10	STEEL NUT FZB 12 MM
44	E03803060	10	LOCK NUT FZB 8 MM
46	E03803200	38	LOCK NUT FZB 1/2. UNC.
48	E03900040	10	DISC 8 MM
49	E03900060	10	DISC 12 MM
51	E03900500	76	DISC FZB 1/2.
52	E04009420	1	LOCKING PLATE
53	E03902020	10	SHIELD DISC FZB 8 MM 8.4/24X2
55	E90203061	1	VERTICUTTER KNIVES
56	E90501681	1	FLAIL KNIFE SET
57	E04000290	1	HYDRAULIC MOTOR
58	E04000300	1	BEARING HOUSING
59	E90501991	1	BOLT SET
60	E09722190	1	SEALING
61	E04421070	1	RAPID HYDRAULIC HOSE 1/2. 520 MM.
62	E04421080	1	RAPID HYDRAULIC HOSE 1/2. 795 MM.
63	E04421090	1	RAPID HYDRAULIC HOSE 1/4. 565 MM.
64	E01901330	1	LOCKING PIN 32 MM
65	E01901300	1	LOCKING PIN 30 MM
66	E04120160	1	STRAIGHT SCREWING
67	E04501420	1	HYDRAULIC COUPLING 3/8. MALE.
68	E04501400	1	HYDRAULIC COUPLING 1/4. MALE.

Flail mower/Verticutter 2250 - Hydraulic, axle a

2250 ATTACHMENTS

11-09-2012

Part List ID
EGHAI147

108

Pos	Part no.	Qty	Description
69	E04509051	1	PROTECTIVE FLEX
80	E09722040	1	FLAP
81	E61000539	1	CLUTCH HOLDER
82	E09825060	1	SHIMS
85	E41103700	1	FLAP
87	E60001338	1	TIGHTENING CLIP
88	E03200690	10	SCREW M12X20 MM
89	E60204608	2	SHIELD
90	E61000549	2	BUSH
91	E61100745	1	BEARING COVER
101	E04120170	1	STRAIGHT SCREWING
102	E04120040	1	STRAIGHT SCREWING

Lawn Edger 2250 - Lawn edger changeable blade

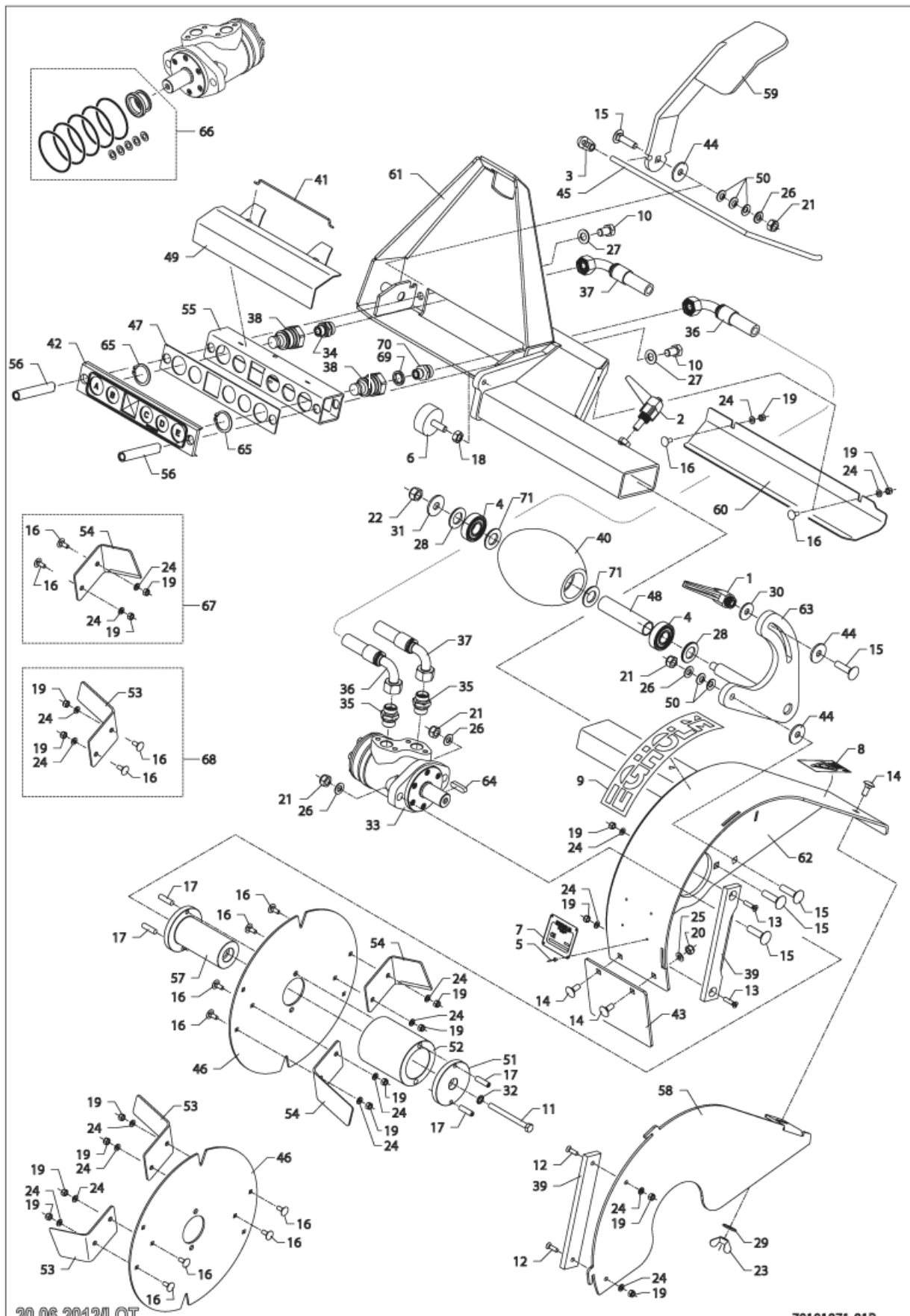
2250 ATTACHMENTS

11-09-2012

Part List ID

EGHATT48

109



20.06.2012/LOT

70101071-01B

Lawn Edger 2250 - Lawn edger changeable blade

2250 ATTACHMENTS

11-09-2012

Part List ID
EGHAI148

110

Pos	Part no.	Qty	Description
0	E70101071	1	LAWN EDGER
1	E01302020	1	ADJUSTABLE HANDLE
2	E01302030	1	ADJUSTABLE HANDLE
3	E01302100	1	HANDLE
4	E01700040	2	BEARING HOUSE 6204 2RS
5	E02000010	10	RIVET 2.4 - 7.5 MM
6	E02503030	1	VIBRATION ABSORBER M10X28
7	E03000010	1	MODEL PLATE
8	E03001160	1	STICKER
9	E03004090	1	STICKER NILFISK
10	E03100260	10	STEEL BOLT FZB 12 - 20 MM
11	E03200190	10	STEEL BOLT FZB 8 - 90 MM
12	E03301070	10	MACHINE SCREW UH FZB POZ 6 - 20 M
13	E03301110	10	MACHINE SCREW UH FZB 6-25 MM
14	E03500040	10	CARRIAGE BOLT FZB 8 - 20 MM
15	E03500250	10	CARRIAGE BOLT FZB 10 - 40 MM
16	E03501010	10	CARRIAGE BOLT A2 6 - 16 MM
17	E03709100	10	SET SCREW M8X30
18	E03800060	10	STEEL NUT FZB 10 MM
19	E03803040	10	LOCK NUT FZB 6 MM
20	E03803060	10	LOCK NUT FZB 8 MM
21	E03803070	10	LOCK NUT FZB 10 MM 8.8
22	E03803080	10	LOCK NUT FZB 12 MM
23	E03809010	10	CHECK NUT 8 MM
24	E03900030	10	DISC 6 MM
25	E03900040	10	DISC 8 MM
26	E03900050	10	DISC DIN 125B FZB 10 MM
27	E03900060	10	DISC 12 MM
28	E03900100	10	DISC 20 MM
29	E03902020	10	SHIELD DISC FZB 8 MM 8.4/24X2
30	E03902030	10	SHIELD DISC 10 MM 10.5/30X2.5
31	E03902040	10	SHIELD DISC FZB 12 MM 13/37X3
32	E03904030	10	SAFE DISC 8 MM
33	E04000130	1	HYDRAULIC MOTOR OMP 100
34	E04120160	2	STRAIGHT SCREWING
35	E04120170	2	STRAIGHT SCREWING
36	E70501281	1	HYDRAULIC HOSE
37	E04421350	1	RAPID HYDRAULIC HOSE 1/2. L 945 MM.
38	E04501420	1	HYDRAULIC COUPLING 3/8. MALE.
39	E09701070	1	NYLON BAR
40	E09701270	1	RUBBER WHEEL Ø120-152
41	E09722040	1	FLAP
42	E09722190	1	SEALING

Lawn Edger 2250 - Lawn edger changeable blade

2250 ATTACHMENTS

11-09-2012

Part List ID
EGHAI148

111

Pos	Part no.	Qty	Description
43	E09722710	1	RUBBER SHIELD
44	E09723120	1	NYLON DISC
45	E09723450	1	STAND SPRING
46	E09806930	1	BLADE
47	E09825060	1	SHIMS
48	E20001800	1	PIPE BUSH
49	E41103700	1	FLAP
50	E60000658	1	PLATE SPRING 20-10.2-1.5 MM
51	E60001578	1	TIGHTENING CLIP
52	E60001588	1	SPACING PIPE
53	E60100520	2	BLADE RIGHT
54	E60201760	2	BLADE LEFT
55	E61000539	1	CLUTCH HOLDER
56	E61000549	2	BUSH
57	E61001009	1	AXLE
58	E61100875	1	SIDE COVER
59	E61101099	1	STAND
60	E61101175	1	HOSE COVER
61	E61201325	1	A-FRAME LAWN EDGER
62	E61201335	1	SCREEN FRONT
63	E61201349	1	SUPPORT WHEEL PLATE
64	E02300130	1	PARALLEL KEY A 8X7X32
65	E01901330	2	LOCKING PIN 32 MM
66	E04009080	1	GASKET SET
67	E90501481	1	BLADE SET LEFT
68	E90501701	1	BLADE SET RIGHT
69	E04500030	1	SEALING RING 3/8.
70	E04100070	1	HYDR. BUSHING 3/8. - 1/2.
71	E09830010	2	DISC FOR WHEEL

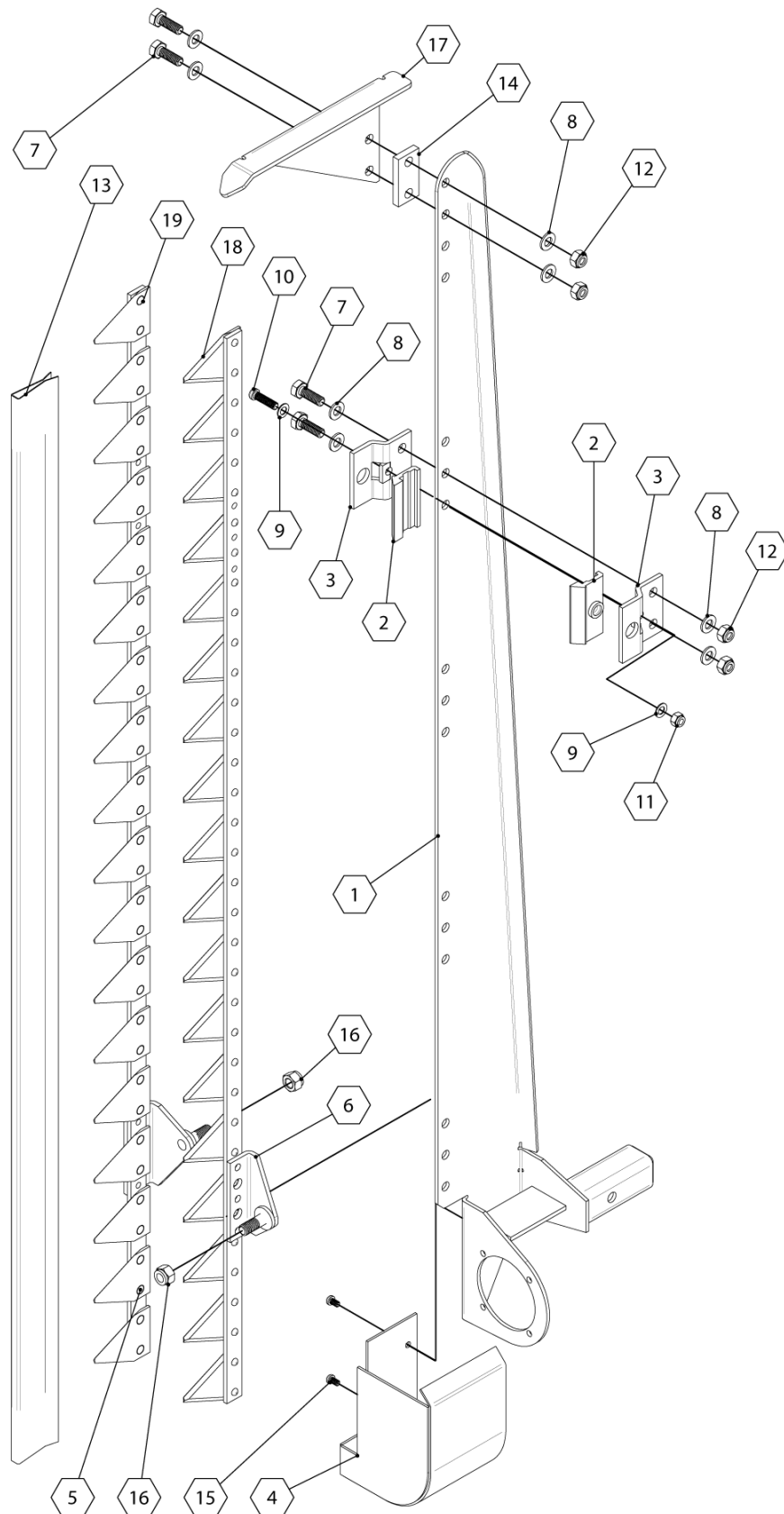
Hegde trimmer 2250 - Kniefbeam - 90203161-0

2250 ATTACHMENTS

11-09-2012

Part List ID
EGHATT49

112



Hegde trimmer 2250 - Kniefbeam - 90203161-0'

2250 ATTACHMENTS

11-09-2012

Part List ID
EGHAI 149

113

Pos	Part no.	Qty	Description
0	E70101181	1	HEDGE TRIMMER
1	E90601010	1	ELKAR KNIFE GIRDER 1300
2	E90601030	10	ELKAR KNIFE CONTROL
3	E90601020	10	ELKAR KNIFE HOLDER
4	E90601220	1	ELKAR PROTECTION
5	E90601080	1	ELKAR KNIFE HEAD
5	E90601370	1	KNIFE SET COMPLETE
5	E90601420	1	ELKAR LOWER KNIFE
6	E90601070	1	ELKAR KNIFE HEAD
6	E90601370	1	KNIFE SET COMPLETE
6	E90601410	1	ELKAR KNIFE TOP COMP
7	E03100220	10	STEEL BOLT FZB 10 - 30 MM
8	E03900050	10	DISC DIN 125B FZB 10 MM
9	E03900040	10	DISC 8 MM
11	E03803060	10	LOCK NUT FZB 8 MM
12	E03803070	10	LOCK NUT FZB 10 MM 8.8
13	E90601090	1	ELKAR KNIFE SHIELD
14	E90601390	1	ELKAR SPACER
15	E03100060	10	STEEL BOLT FZB 6 - 10 MM
16	E03803080	10	LOCK NUT FZB 12 MM
17	E90601100	1	ELKAR DRAG SHOE
18	E90601050	36	ELKAR KNIFE
19	E90601400	36	ELKAR KNIFE MILLING
20	E90601060	72	ELKAR RIVET

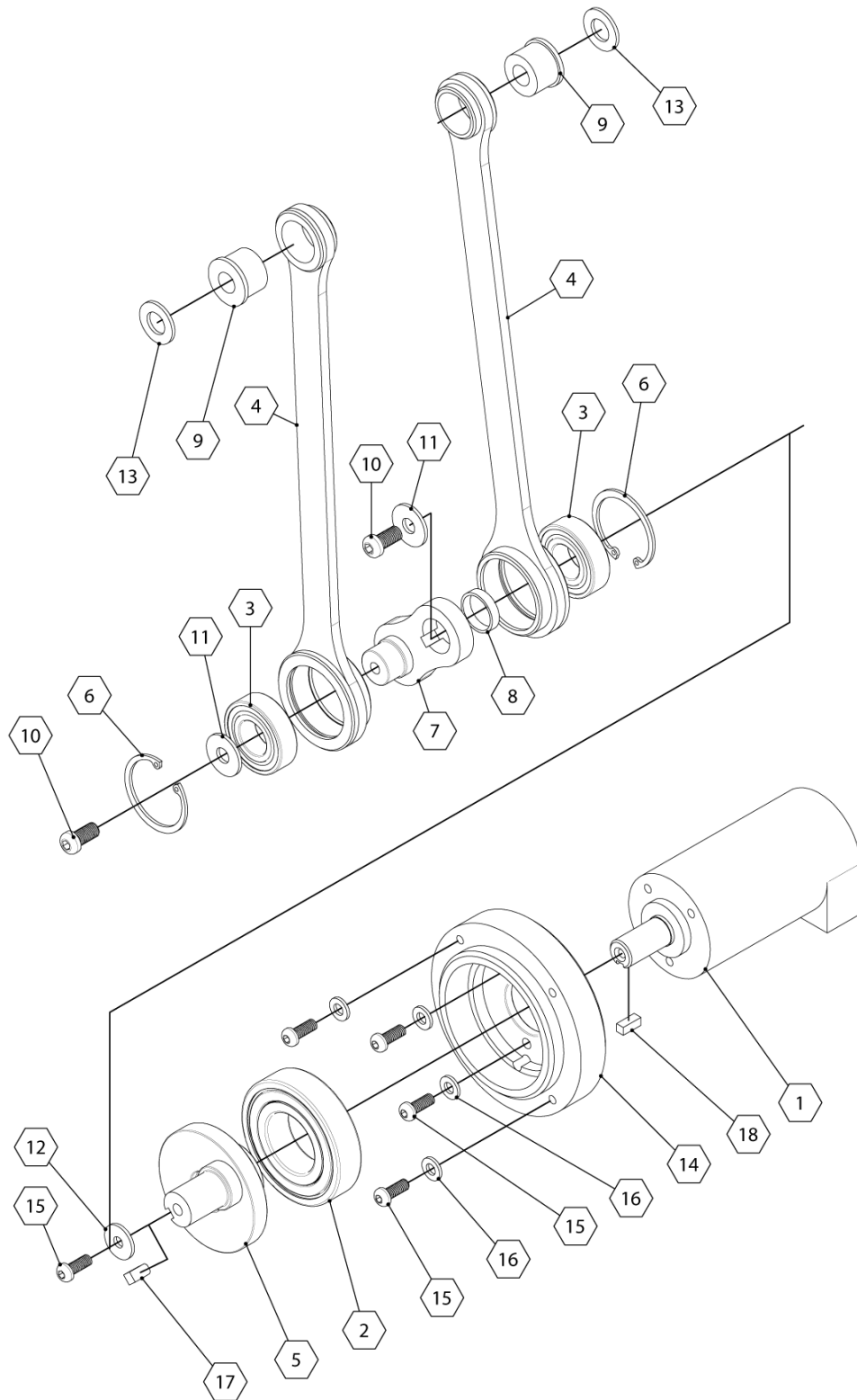
Hegde trimmer 2250 - Knife drive - 90203161-0

2250 ATTACHMENTS

11-09-2012

Part List ID
EGHATT50

114



Hegde trimmer 2250 - Knife drive - 90203161-01

2250 ATTACHMENTS

11-09-2012

Part List ID
EGHAI150

115

Pos	Part no.	Qty	Description
0	E70101181	1	HEDGE TRIMMER
1	E04000510	1	HYDRAULIC MOTOR OMM 50C
2	E01700180	1	BEARING HOUSE 6207.2RS1
3	E01700160	2	BEARING HOUSE 6004-2RS1
4	E90601150	2	ELKAR CONNECTING ROD
5	E90601450	1	ELKAR DISC
6	E01900420	2	LOCKING PIN 42 MM
7	E90601460	2	ELKAR AXLE
8	E90601140	1	ELKAR SPACING DISC
9	E90601470	2	ELKAR DELRIN BUSH
10	E03400180	10	ALLEN SCREW 8 X 16 MM
11	E03900040	10	DISC 8 MM
12	E03903050	10	SHIELD DISC 6.6X22X2
13	E03900060	10	DISC 12 MM
14	E90601110	1	BEARING HOUSING
15	E03400040	10	ALLEN SCREW 6 - 16 MM
16	E03900030	10	DISC 6 MM
17	E02300070	1	PARALLEL KEY 6 - 6 - 20 MM
18	E02300150	1	PARALLEL KEY B 5X5X14

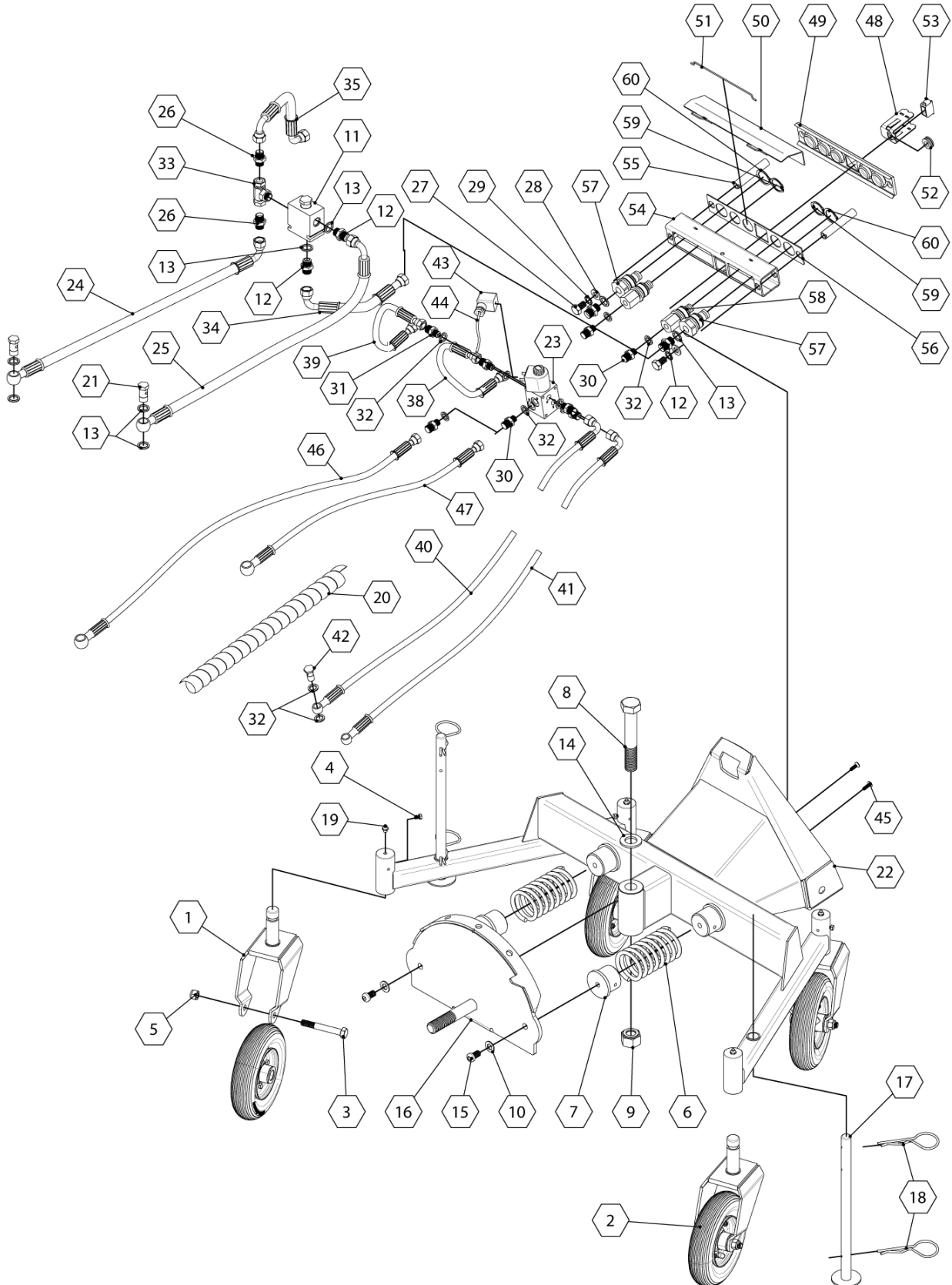
Hegde trimmer 2250 -Knife frame - 70101181-0

2250 ATTACHMENTS

11-09-2012

Part List ID
EGHATT51

116



Hegde trimmer 2250 -Knife frame - 70101181-01

2250 ATTACHMENTS

11-09-2012

Part List ID

EGHAI 151

117

Pos	Part no.	Qty	Description
0	E70101181	1	HEDGE TRIMMER
1	E90601250	1	WHEEL FORK
2	E01100330	1	WHEEL
3	E03200330	10	STEEL BOLT FZB 12 - 90 MM
4	E03100060	10	STEEL BOLT FZB 6 - 10 MM
5	E03803080	10	LOCK NUT FZB 12 MM
7	E90601270	1	ELKAR TILT PLATE
9	E03803120	1	LOCK NUT M24
10	E03900060	10	DISC 12 MM
12	E04100020	1	HYDR. BUSHING 3/8.
13	E04500030	10	SEALING RING 3/8.
27	E03100260	1	STEEL BOLT FZB 12 - 20 MM
28	E03900060	10	DISC 12 MM
30	E04100010	1	HYDR. BUSHING 1/4.
32	E04500020	10	SEALING RING 1/4.
57	E04501420	1	HYDRAULIC COUPLING 3/8. MALE.
58	E04501400	1	HYDRAULIC COUPLING 1/4. MALE.

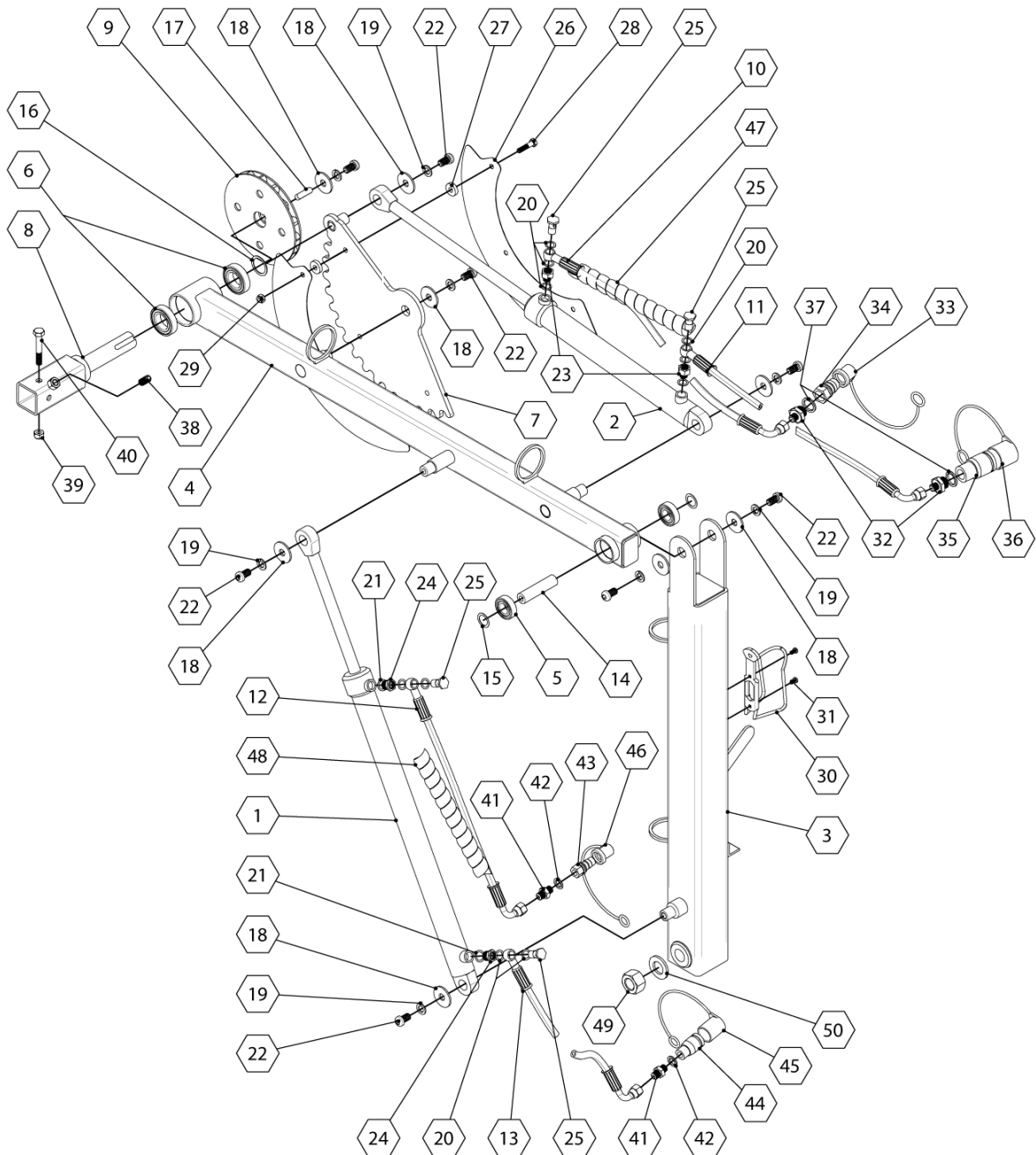
Hegde trimmer 2250 - Mast and arm - 90203161-

2250 ATTACHMENTS

11-09-2012

Part List ID
EGHATT52

118



Hegde trimmer 2250 - Mast and arm - 90203161-(

2250 ATTACHMENTS

11-09-2012

Part List ID
EGHAI 15Z

119

Pos	Part no.	Qty	Description
0	E70101181	1	HEDGE TRIMMER
1	E04502190	1	HYDRAULIC CYLINDER 32X500
2	E04502200	1	HYDRAULIC CYLINDER 32X320
3	E90601290	1	ELKAR MAST
4	E90601300	1	ELKAR ARM
5	E01700160	2	BEARING HOUSE 6004-2RS1
6	E01700170	2	BEARING HOUSE 6006-2RSR
8	E90601320	1	ELKAR ADAPTER
9	E90601330	1	ELKAR WHEEL
14	E90601340	1	ELKAR MAIN AXLE
15	E03907050	10	DISC 20 X 28 X 0.5 MM
16	E03907180	10	DISC 30 X 38 X 1.0 MM
18	E03903030	10	SHIELD DISC 1/2. X 35 MM.
19	E03904050	10	SAFE DISC 12 MM
20	E03909070	10	COPPER DISC 1/4.
21	E03909000	10	COPPER DISC 3/8.
22		0	NOTE COMMENT Not Available
25	E04109060	1	BANJO HYDRAULIC BOLT 1/4.
26	E90601350	2	ELKAR TOOTH SHIELD
28	E03100170	10	STEEL BOLT FZB 8 - 35 MM
29	E03803060	10	LOCK NUT FZB 8 MM
30	E90601430	1	ELKAR SPRAY HOLDER
31	E03400040	10	ALLEN SCREW 6 - 16 MM
32	E04100060	1	HYDR. BUSHING 1/4. - 1/2.
33	E04501280	1	DUST COVER
34	E04501220	1	HYDRAULIC COUPLING 1/2.
35	E04501250	1	HYDRAULIC COUPLING 1/2.
36	E04501310	1	DUST COVER
37	E04500040	10	SEALING RING 1/2.
38	E03402060	10	ALLEN SCREW 12 - 40 MM
39	E03803070	10	LOCK NUT FZB 10 MM 8.8
40	E03200245	10	STEEL BOLT FZB 10 - 65 MM
41	E04100010	1	HYDR. BUSHING 1/4.
42	E04500020	10	SEALING RING 1/4.
43	E04501200	1	HYDRAULIC COUPLING 1/4.
44	E04501230	1	HYDRAULIC COUPLING 1/4.
45	E04501290	1	DUST COVER
46	E04501260	1	DUST COVER
47	E04509051	1	PROTECTIVE FLEX
48	E04509051	1	PROTECTIVE FLEX
49	E03803120	1	LOCK NUT M24
50	E03900120	10	DISC 24 MM
51	E02901080	1	GREASE

Hegde trimmer 2250 - Mast and arm - 90203161-

2250 ATTACHMENTS

11-09-2012

Part List ID
EGHA115Z

120

Pos	Part no.	Qty	Description
53	E03404250	10	ALLEN BOLT 8X40 FZB

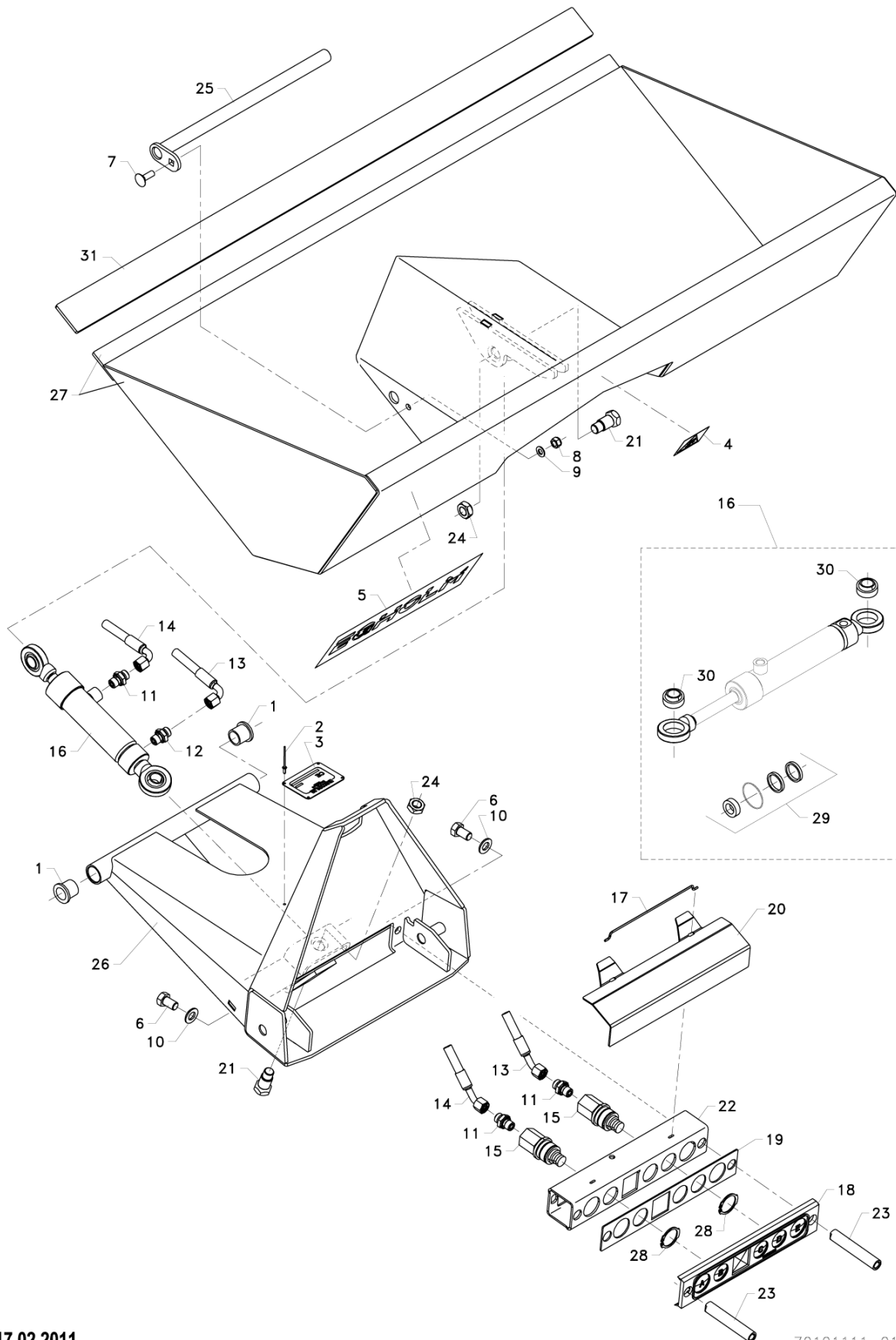
Tipping shovel 2250 - Showel - 70101111-01A

2250 ATTACHMENTS

11-09-2012

Part List ID
EGHATT53

121



17.02.2011

70101111-01A

Tipping shovel 2250 - Showel - 70101111-01a

2250 ATTACHMENTS

11-09-2012

Part List ID
EGHAI 153

122

Pos	Part no.	Qty	Description
0	E70101111	1	TIPPING SHOVEL
1	E01704060	2	PLASTIC BEARING 3/4.X23.7X23 MM.
2	E02000010	4	RIVET 2.4 - 7.5 MM
3	E03000010	1	MODEL PLATE
4	E03001140	1	STICKER
5	E03001830	1	STICKER
6	E03100260	2	STEEL BOLT FZB 12 - 20 MM
7	E03500050	10	CARRIAGE BOLT FZB 8 - 25 MM
8	E03803060	10	LOCK NUT FZB 8 MM
9	E03900040	10	DISC 8 MM
10	E03900060	10	DISC 12 MM
11	E04120040	1	STRAIGHT SCREWING
12	E04120410	1	STRAIGHT SCREWING
13	E04421330	1	RAPID HYDRAULIC HOSE 1/4. L 360 MM.
14	E04421340	1	RAPID HYDRAULIC HOSE 1/4. L 220 MM.
15	E04501400	1	HYDRAULIC COUPLING 1/4. MALE.
16	E04502010	1	HYDRAULIC CYLINDER DVL 30/16-70 MM
17	E09722040	1	FLAP
18	E09722190	1	SEALING
19	E09825060	1	SHIMS
20	E41103700	1	FLAP
21	E61000428	2	BOLT
22	E61000539	1	CLUTCH HOLDER
23	E61000549	1	BUSH
24	E61000689	2	STEEL NUT 45 CONE
25	E61201489	1	AXLE
26	E61202695	1	A-FRAME SHOVEL
27	E61202705	1	SHOVEL BLADE
28	E01901300	1	LOCKING PIN 30 MM
29	E04509080	1	GASKET SET
30	E01702050	1	BEARING
31	E09827700	1	BLADE

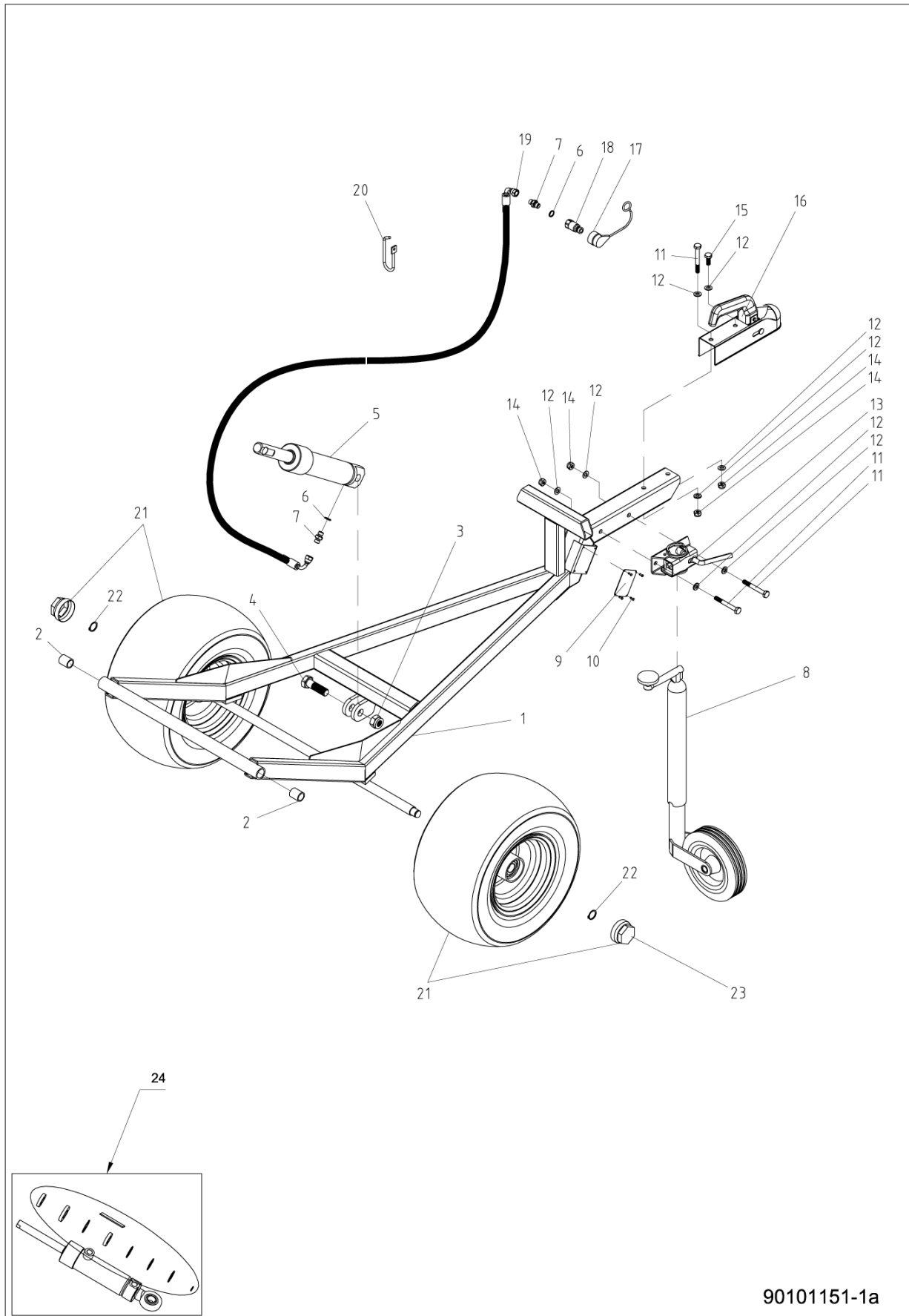
All purpose Tipper trailer 2250 - Tipping traile

2250 ATTACHMENTS

11-09-2012

Part List ID
EGHATT54

123



All purpose Tipper trailer 2250 - Tipping traile

2250 ATTACHMENTS

11-09-2012

Part List ID
EGHAI154

124

Pos	Part no.	Qty	Description
0	E90101151	1	ALL PURPOSE TRAILER
1	E60201642	1	CHASSIS
2	E09701430	2	NYLON BUSHING
3	E03803110	1	LOCK NUT FZB 20 MM
4	E03200360	1	STEEL BOLT FZB 20 - 65 MM
5	E04502050	1	HYDRAULIC CYLINDER EVS 50/30-200 MM
6	E04500020	10	SEALING RING 1/4.
7	E04100010	1	HYDR. BUSHING 1/4.
8	E01100050	1	SUPPORT WHEEL 200 MM
9	E03000010	1	MODEL PLATE
10	E02000010	10	RIVET 2.4 - 7.5 MM
11	E03200270	10	STEEL BOLT FZB 10 - 80 MM
12	E03900050	10	DISC DIN 125B FZB 10 MM
13	E01109010	1	CONSOLE
14	E03803070	10	LOCK NUT FZB 10 MM 8.8
15	E03100210	10	STEEL BOLT FZB 10 - 25 MM
16	E01109450	1	COUPLING FOR TIPPER
17	E04501260	1	DUST COVER
18	E04501200	1	HYDRAULIC COUPLING 1/4.
19	E04401390	1	RAPID HYDRAULIC HOSE 1/4. 2870 MM.
20	E60200538	1	CABLE HANGER
21	E01100120	1	WHEEL 4 LAYERS 18X9.50-8
22	E01901200	1	LOCKING PIN 20 MM
23	E01109330	1	HUB CAP FOR
24	E04509100	1	GASKET SET

All purpose Tipper trailer 2250 - Tipping trail

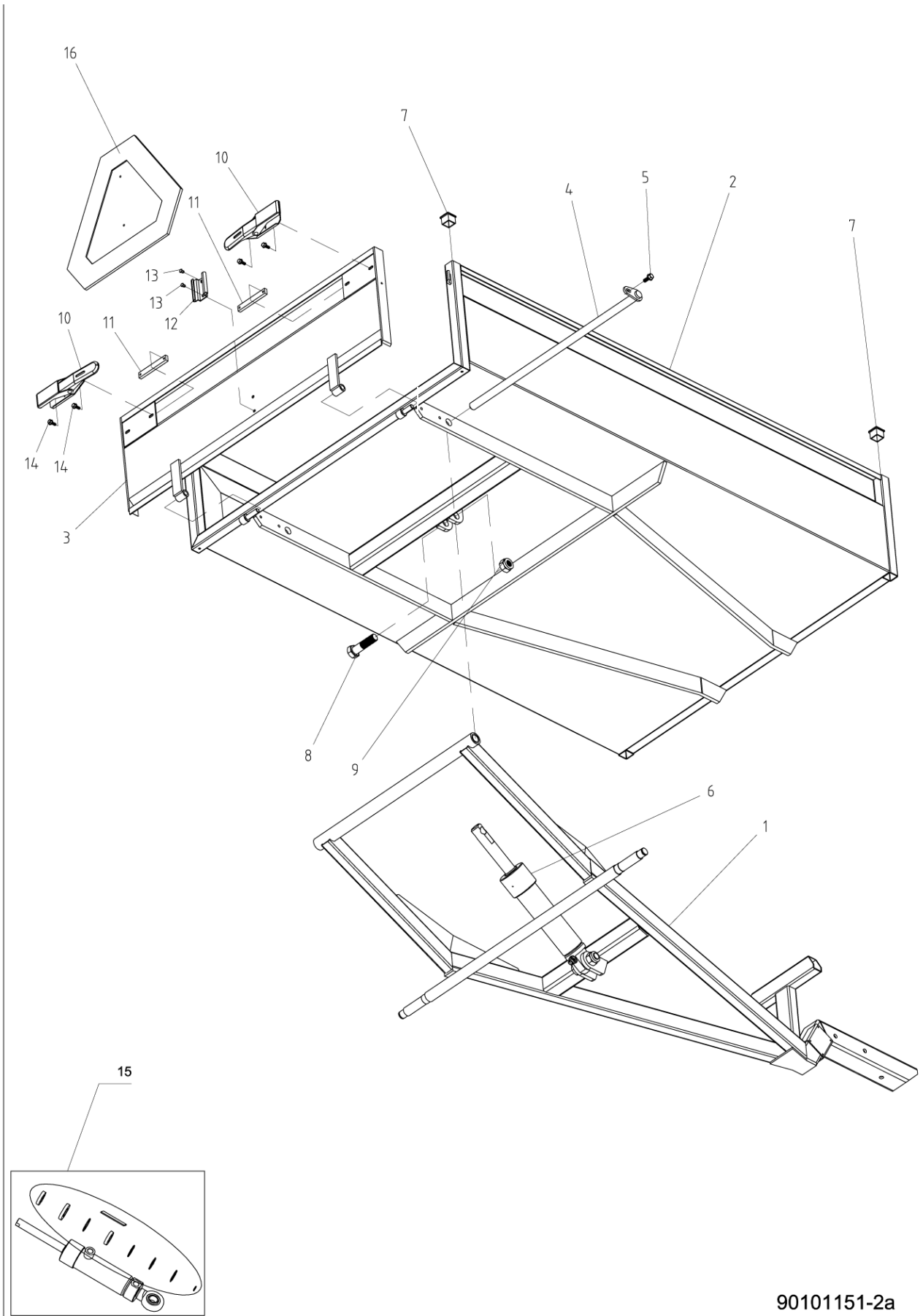
2250 ATTACHMENTS

11-09-2012

Part List ID

EGHATT55

125



90101151-2a

All purpose Tipper trailer 2250 - Tipping trailer

2250 ATTACHMENTS

11-09-2012

Part List ID
EGHAI155

126

Pos	Part no.	Qty	Description
0	E90101151	1	ALL PURPOSE TRAILER
1	E60201642	1	CHASSIS
2	E60201653	1	LOAD CARRIER
3	E60201663	1	REAR HATCH F. TIPPER
4	E60201678	1	AXLE F. LOAD CARRIER
5	E03702100	10	SCREW 6-KT.FZB 8X20 MM
6	E04502050	1	HYDRAULIC CYLINDER EVS 50/30-200 MM
7	E02701100	2	PLASTIC COVER ROUND 30/30/1.0-2.0 MM
8	E03200370	1	STEEL BOLT FZB 20 - 75 MM
9	E03803110	1	LOCK NUT FZB 20 MM
10	E01307020	1	LOCKING DEVICE
11	E60000268	1	TIGHTENING CLIP
12	E01109260	1	PLATE
13	E02000080	10	RIVET 4.8 - 20 MM
14	E03702050	10	SCREW 6-KT.FZB 6X16 MM
15	E04509100	1	GASKET SET
16	E01109150	1	WARNING TRIANGLE 1415 100100

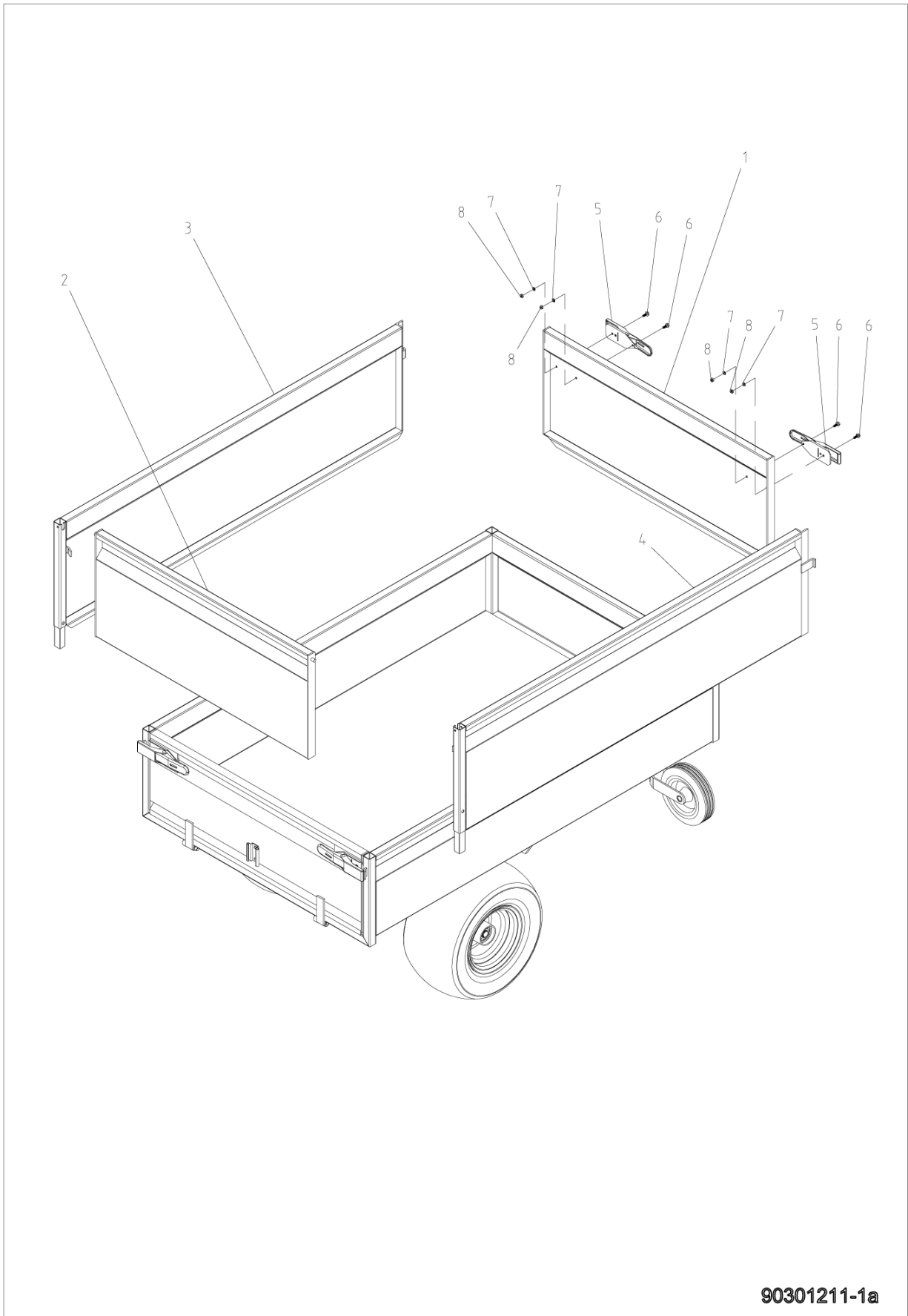
All purpose Tipper trailer 2250 - Side extension

2250 ATTACHMENTS

11-09-2012

Part List ID
EGHATT56

127



90301211-1a

All purpose Tipper trailer 2250 - Side extensior

2250 ATTACHMENTS

11-09-2012

Part List ID
EGHAI 156

128

Pos	Part no.	Qty	Description
0	E90101151	1	ALL PURPOSE TRAILER
1	E60204005	1	FRONT END
1	E90301211	4	SIDE EXTENSIONS
2	E60204015	1	REAR HATCH
2	E90301211	1	SIDE EXTENSIONS
3	E60204025	1	SIDE PIECE LEFT
3	E90301211	1	SIDE EXTENSIONS
4	E60204035	1	SIDE PLATE RIGHT
4	E90301211	1	SIDE EXTENSIONS
5	E01307020	2	LOCKING DEVICE
6	E03100080	10	STEEL BOLT FZB 6 - 16 MM
7	E03900030	10	DISC 6 MM
8	E03803040	10	LOCK NUT FZB 6 MM

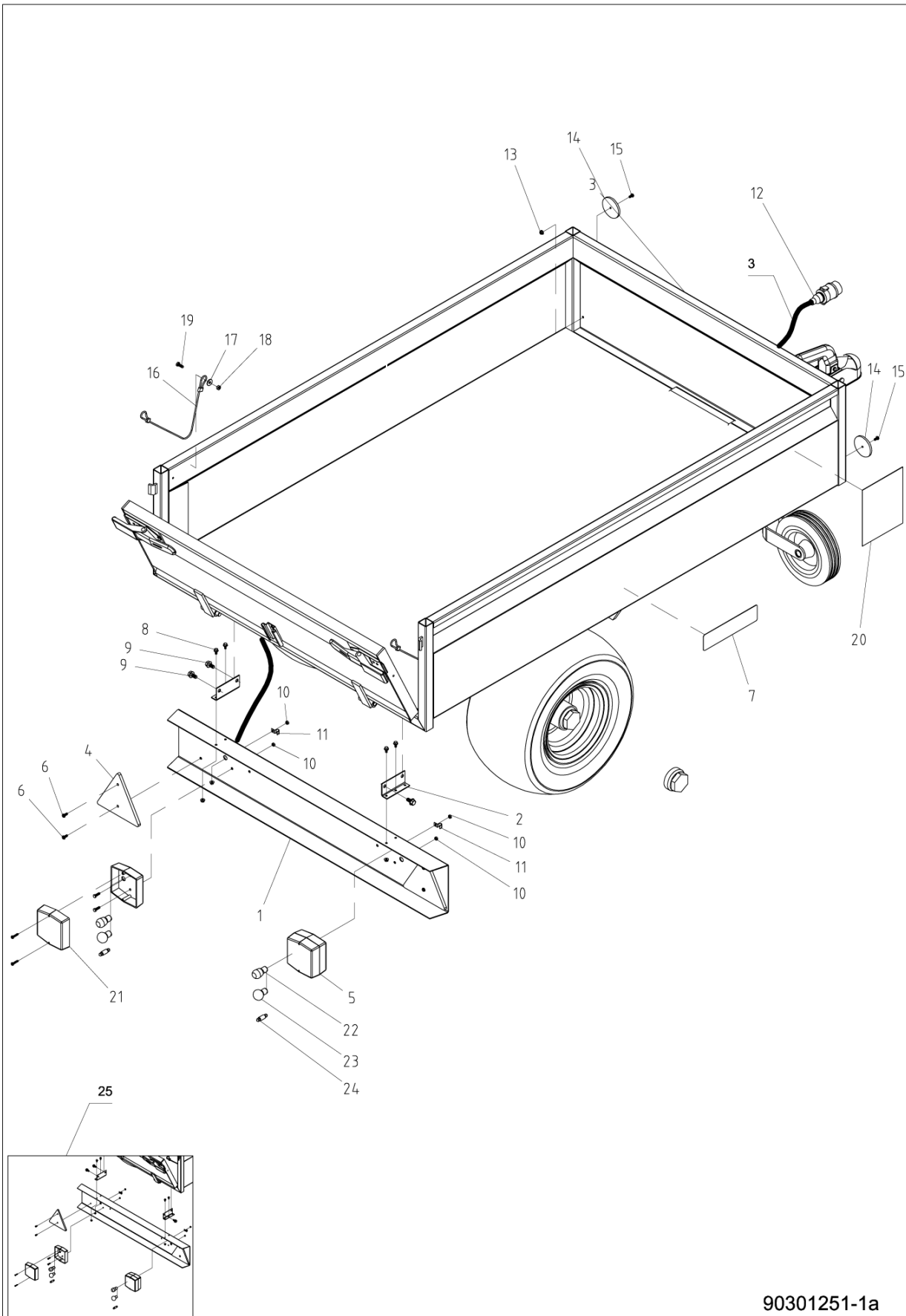
All purpose Tipper trailer 2250 - Light for tipper

2250 ATTACHMENTS

11-09-2012

Part List ID
EGHATT57

129



90301251-1a

All purpose Tipper trailer 2250 - Light for tipp

2250 ATTACHMENTS

11-09-2012

Part List ID
EGHAI 157

130

Pos	Part no.	Qty	Description
0	E90101151	1	ALL PURPOSE TRAILER
1	E20102260	1	LAMP BRACKET
2	E20011850	1	MOUNTING BRACKET
3	E30000360	1	WIRING
4	E03009040	2	REFLEX 150X150X150
5	E05000070	1	REAR STOP LIGHT
6	E03300080	10	MACHINE SCREW FZS 5 - 12 MM
7	E03009060	2	REFLEX 50X200
8	E03702010	10	SCREW 6-KT.FZB 5X10 MM
9	E03702090	10	SCREW 6-KT.FZB 8X16 MM
10	E03809110	10	FLANGE NUT F FZB 5 MM
11	E02603020	10	FIXING HOOK 510 BSL 1 X 8
12	E05007030	1	SOCKET 7-PIN
13	E03800030	10	STEEL NUT FZB 6 MM
14	E03009050	2	REFLEX Ø60
15	E03100060	10	STEEL BOLT FZB 6 - 10 MM
16	E02802011	1	STEEL WIRE 3.0 MM
17	E03902010	10	SHIELD DISC FZB 6 MM 6.4/18X1.6
18	E03803040	10	LOCK NUT FZB 6 MM
19	E03100080	10	STEEL BOLT FZB 6 - 16 MM
20	E03001410	2	WEIGHT BRAND
21	E05009120	1	LAMP GLASS
22	E05001010	1	BULB 12V/21W
23	E05001110	1	BULB 12V/15W
24	E05001020	1	BULB 12V/5W
25	E90301251	1	LIGHT TIPPER TRAILER

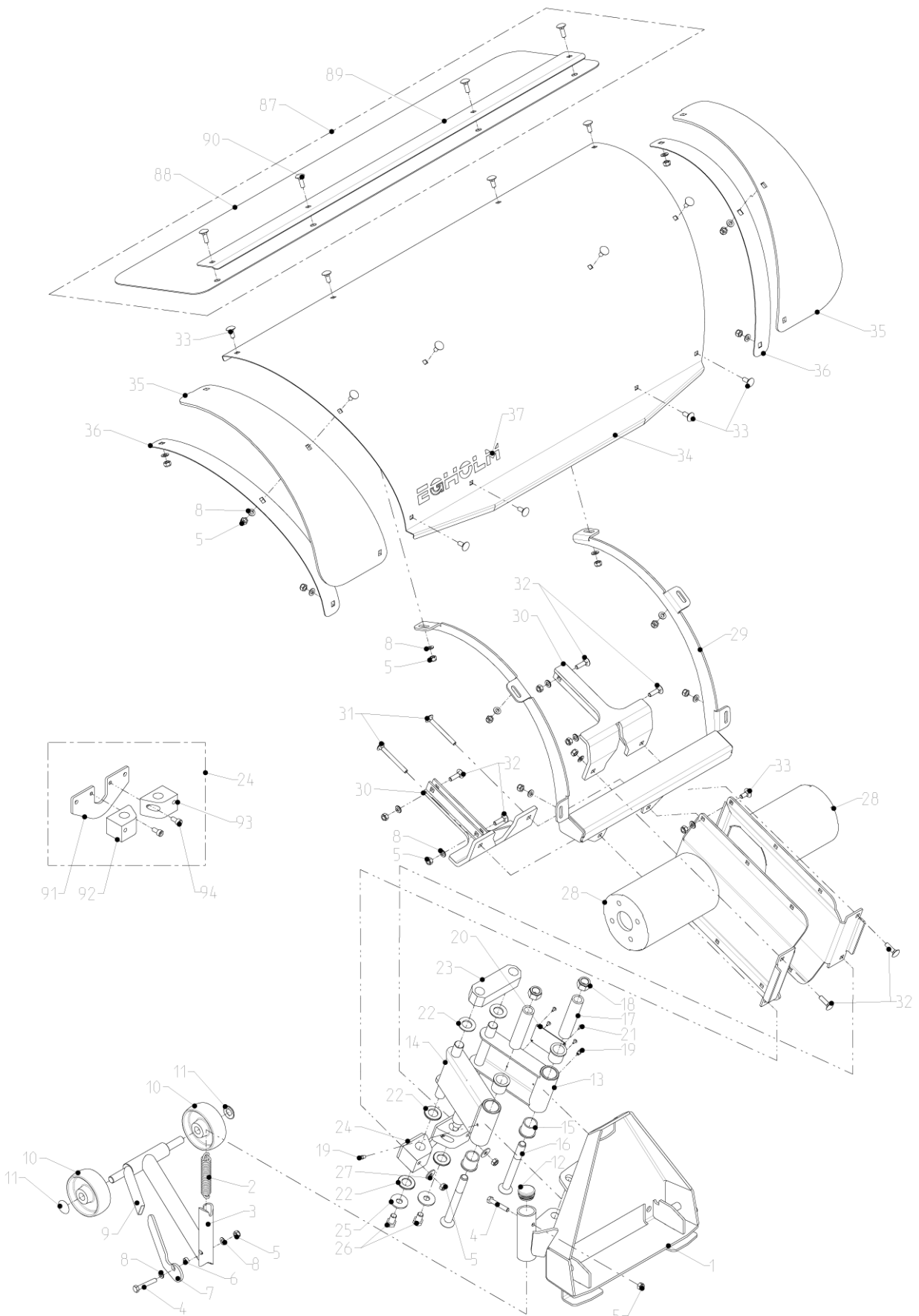
Snow sweeper 2250 - Schield, breakjoint, wheel

2250 ATTACHMENTS

11-09-2012

Part List ID
EGHATT58

131



Snow sweeper 2250 - Schield, breakjoint, wheel

2250 ATTACHMENTS

11-09-2012

Part List ID
EGHAI 158

132

Pos	Part no.	Qty	Description
0	E70101091	0	SNOW SWEEPER
1	E61202825	1	A-FRAME SNOW SWEEPER
2	E02201290	1	TENSION SPRING
3	E61202475	1	STAND
4	E03200150	2	STEEL BOLT FZB 8 - 50 MM
5	E03803060	24	LOCK NUT FZB 8 MM
6	E09923520	1	BUSH FOR HANDLE
7	E09830190	1	HANDLE
8	E03900040	22	DISC 8 MM
9	E02701250	1	COVER FOR HANDLE
10	E01100360	2	WHEEL
11	E01906080	2	LOCK DISC Ø15 MM
12	E02701280	1	PLASTIC COVER Ø35 1.0-3.0 MM
13	E61201055	1	ARM RIGHT
14	E61201065	1	ARM LEFT
15	E01704090	4	PLASTIC BEARING 25X30X30 MM
16	E03401180	2	ALLEN BOLT FZB 16 - 150
17	E60001639	2	AXLE
18	E03803100	2	LOCK NUT FZB 16 MM
19	E02400020	2	OIL CUP M6
20	E03000010	1	MODEL PLATE
21	E02000020	4	RIVET 3.0 - 8.0 MM
22	E03900100	6	DISC 20 MM
23	E09722170	1	TOP PIECE
24	E80600008	1	LOWER SUSPENSION
25	E03902040	2	SHIELD DISC FZB 12 MM 13/37X3
26	E03100260	4	STEEL BOLT FZB 12 - 20 MM
27	E03902020	2	SHIELD DISC FZB 8 MM 8.4/24X2
28	E61201075	2	ENGINE CONSOLE
29	E61201315	1	SCREEN HOLDER
30	E61202435	2	AMPLIFICATION
31	E03500280	2	CARRIAGE BOLT FZB 8 - 80 MM
32	E03500220	6	CARRIAGE BOLT FZB 8 - 30 MM
33	E03500040	14	CARRIAGE BOLT FZB 8 - 20 MM
34	E61100835	1	SCREEN SNOW SWEEPER
35	E09722670	2	SEALING PLATE
36	E09826940	2	PLASTIC BEARING
37	E03004090	1	STICKER NILFISK
87	E70301011	1	MUD GUARD
88	E09722780	1	PLASTIC SCREEN
89	E61100985	1	COVER PLASTIC SCREEN
90	E03500050	4	CARRIAGE BOLT FZB 8 - 25 MM
91	E09830310	1	REAR PLATE

Snow sweeper 2250 - Schield, breakjoint, wheel

2250 ATTACHMENTS

11-09-2012

Part List ID
EGHAI158

133

Pos	Part no.	Qty	Description
92	E09724520	1	BOTTOM CHOCK LEFT
93	E09724530	1	BOTTOM CHOCK RIGHT
94	E03403050	2	ALLEN SCREW A2 8 - 16 MM

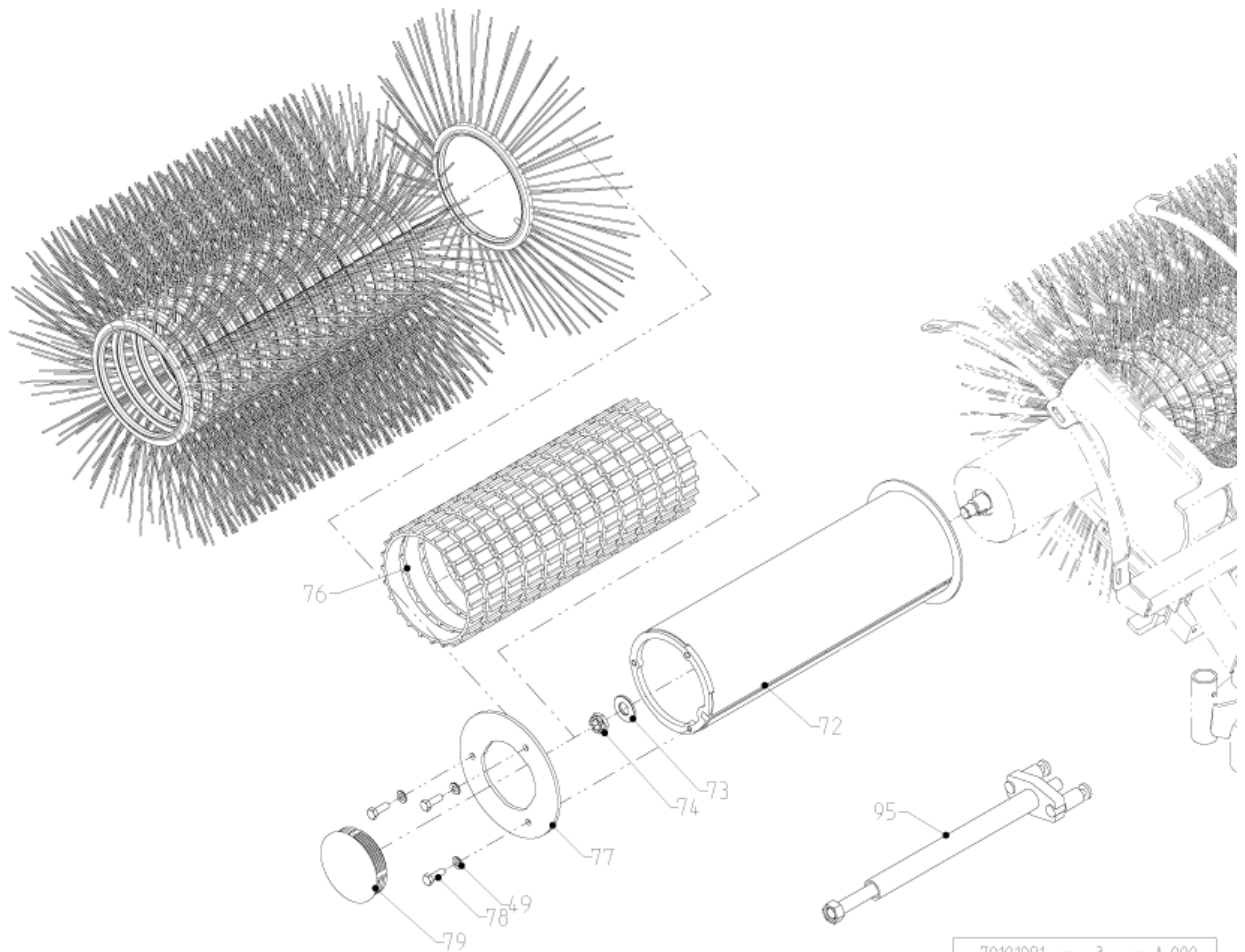
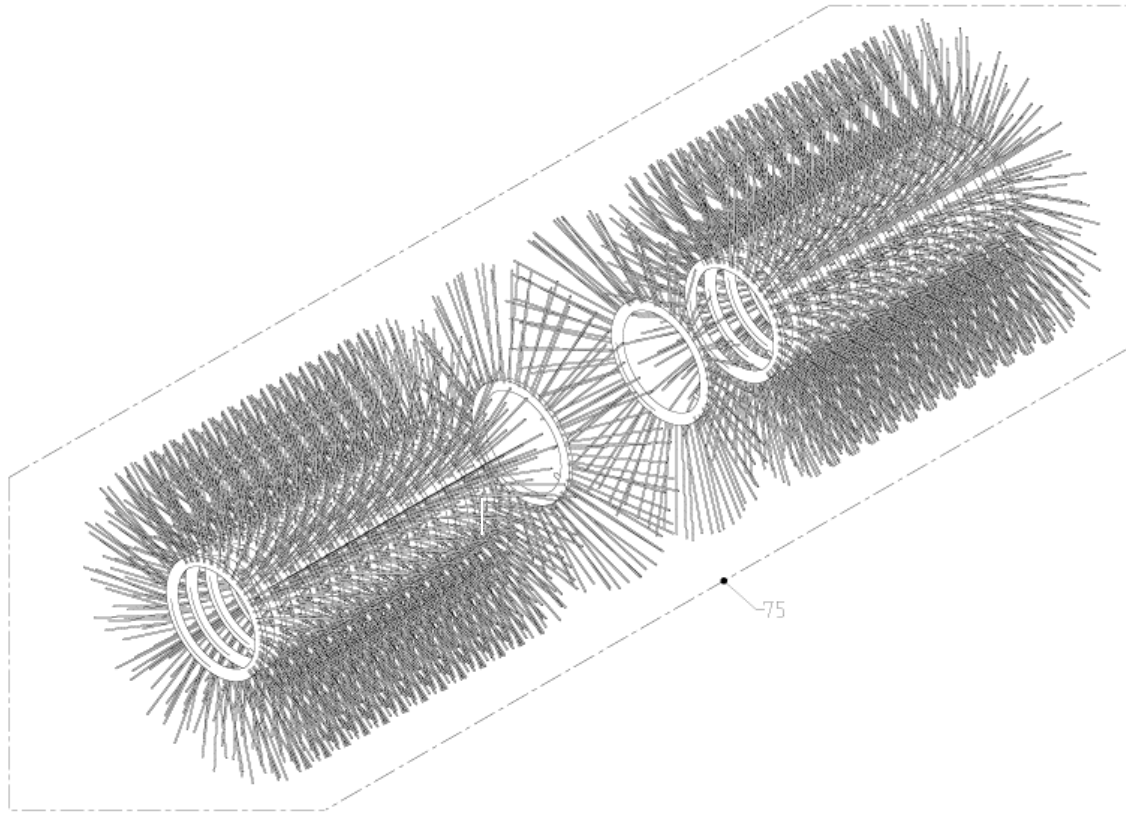
Snow sweeper 2250 - Brushes - 70101091-3A

2250 ATTACHMENTS

11-09-2012

Part List ID
EGHATT59

134



Snow sweeper 2250 - Brushes - 70101091-3A

2250 ATTACHMENTS

11-09-2012

Part List ID
EGHAI159

135

Pos	Part no.	Qty	Description
0	E70101091	1	SNOW SWEEPER
49	E03900050	16	DISC DIN 125B FZB 10 MM
72	E61201085	2	BRUSH TUBE
73	E04009150	1	DISC
74	E04009460	1	STEEL NUT OMP 160
75	E90501911	1	BRUSH RINGS SET
76	E01109000	24	SPACER RING 7. X 30 MM.
77	E61000755	2	KUBOTA PLATE
78	E03100220	6	STEEL BOLT FZB 10 - 30 MM
79	E02701270	2	PLASTIC COVER ROUND Ø120 X 6/28 2.0-4.0
95	E70501261	1	PULLER F. BRUSH TUBE

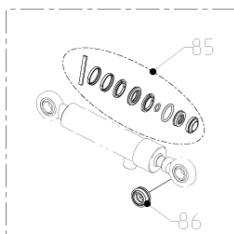
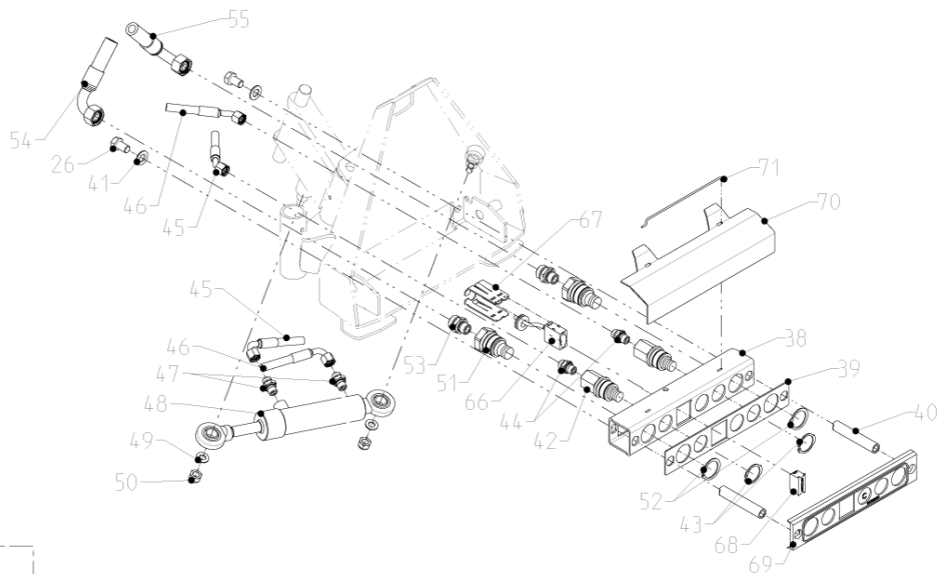
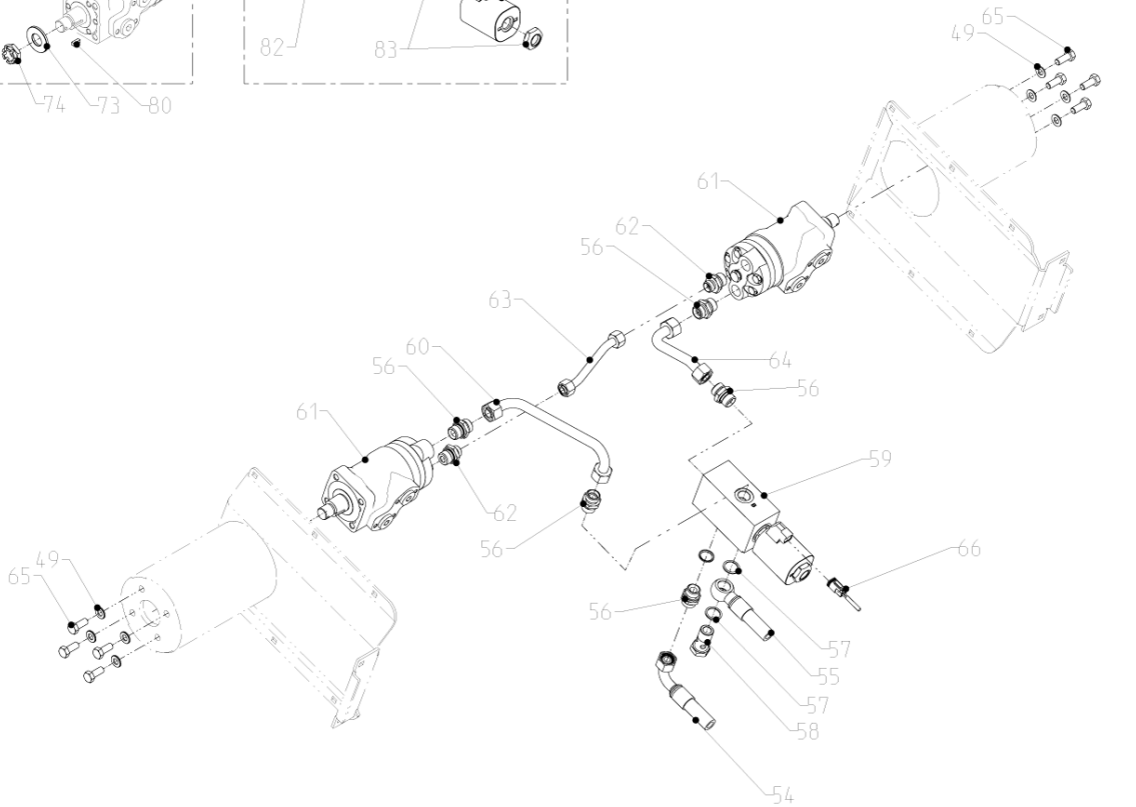
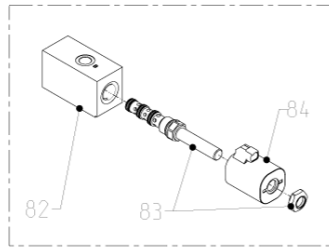
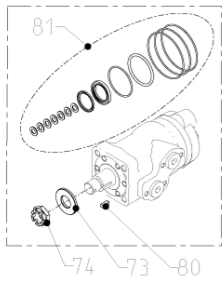
Snow sweeper 2250 - Hydraulic - 70101091-2

2250 ATTACHMENTS

11-09-2012

Part List ID
EGHATT60

136



Snow sweeper 2250 - Hydraulic - 70101091-2/

2250 ATTACHMENTS

11-09-2012

Part List ID
EGHAI160

137

Pos	Part no.	Qty	Description
0	E70101091	1	SNOW SWEEPER
26	E03100260	4	STEEL BOLT FZB 12 - 20 MM
38	E61000539	1	CLUTCH HOLDER
39	E09825060	1	SHIMS
40	E61000549	2	BUSH
41	E03900060	2	DISC 12 MM
42	E04501400	2	HYDRAULIC COUPLING 1/4. MALE.
43	E01901300	2	LOCKING PIN 30 MM
44	E04120410	2	STRAIGHT SCREWING
45	E04421270	1	RAPID HYDRAULIC HOSE 1/4. L 420 MM.
46	E04421260	1	RAPID HYDRAULIC HOSE 1/4. L 370 MM.
47	E04120040	2	STRAIGHT SCREWING
48	E04502010	1	HYDRAULIC CYLINDER DVL 30/16-70 MM
49	E03900050	16	DISC DIN 125B FZB 10 MM
50	E03803070	2	LOCK NUT FZB 10 MM 8.8
51	E04501420	2	HYDRAULIC COUPLING 3/8. MALE.
52	E01901330	2	LOCKING PIN 32 MM
53	E04120160	2	STRAIGHT SCREWING
54	E04421300	1	RAPID HYDRAULIC HOSE 1/2. L 425 MM.
55	E04421280	1	RAPID HYDRAULIC HOSE 1/2. L 370 MM.
56	E04120170	5	STRAIGHT SCREWING
57	E03909160	2	COPPER DISC 21X26X1.5 - 1/2.
58	E04109180	1	BANJO HYDRAULIC BOLT 1/2.
59	E04001620	1	DIRECTIONAL VALVE
60	E41201840	1	RETURN PIPE
61	E04000470	2	HYDRAULIC MOTOR OMP 160
62	E04120130	2	STRAIGHT SCREWING
63	E41201820	1	SPACER PIPE
64	E41201830	1	SUPPLY TUBE
65	E03100210	8	STEEL BOLT FZB 10 - 25 MM
66	E30000320	1	WIRING
67	E41104120	1	WINDOW AND HOSE CLIP
68	E09722200	1	STOPPER
69	E09722190	1	SEALING
70	E41103700	1	FLAP
71	E09722040	1	FLAP
73	E04009150	1	DISC
74	E04009460	1	STEEL NUT OMP 160
80	E02300150	1	PARALLEL KEY B 5X5X14
81	E04009440	1	GASKET SET
82	E09921850	1	BLOCK
83	E04013000	1	SOLENOID VALVE
84	E04013350	1	FIELD COIL 12VDC

Snow sweeper 2250 - Hydraulic - 70101091-2/

2250 ATTACHMENTS

11-09-2012

Part List ID
EGHAI160

138

Pos	Part no.	Qty	Description
-----	----------	-----	-------------

85	E04509080	1	GASKET SET
----	-----------	---	------------

86	E01702050	2	BEARING
----	-----------	---	---------

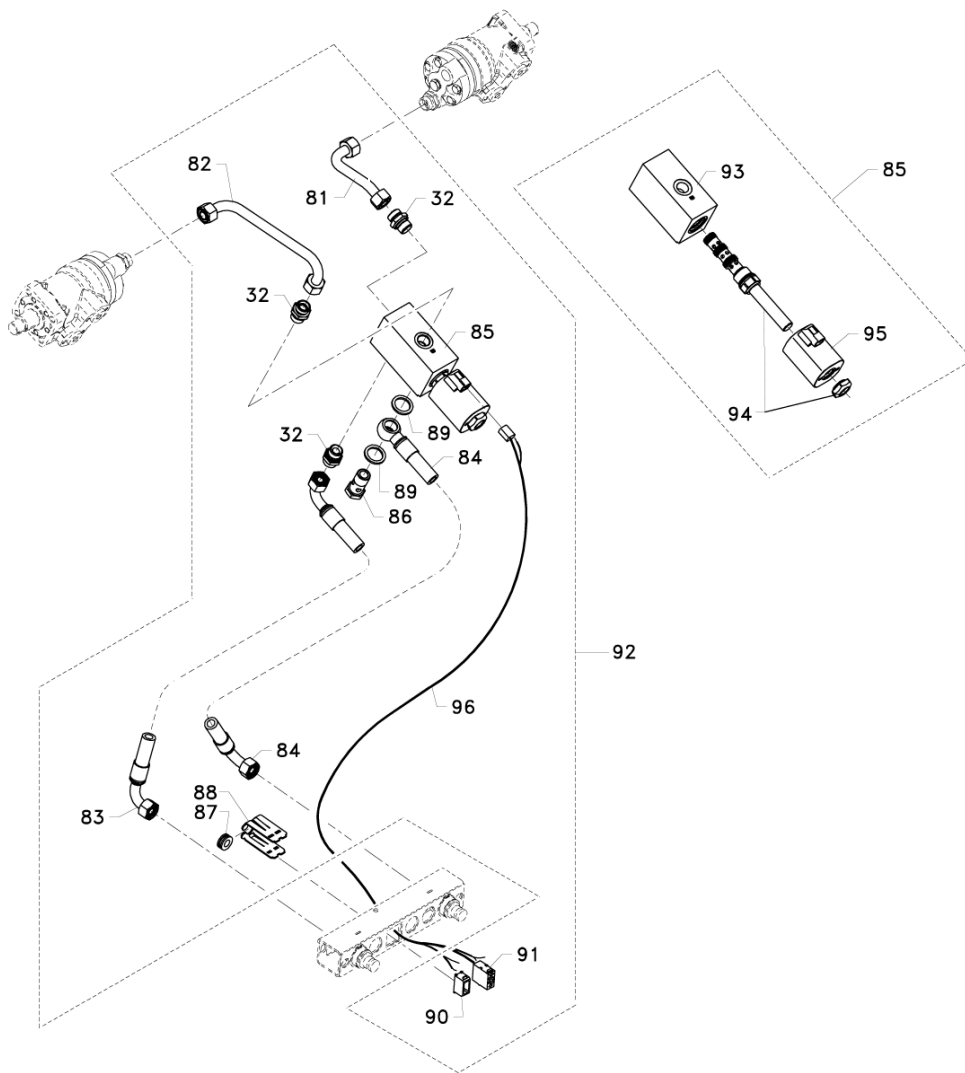
Snow sweeper 2250 - Revers kit - 70101091-04

2250 ATTACHMENTS

11-09-2012

Part List ID
EGHATT61

139



Snow sweeper 2250 - Revers kit - 70101091-04

2250 ATTACHMENTS

11-09-2012

Part List ID
EGHAI161

140

Pos	Part no.	Qty	Description
0	E70101091	1	SNOW SWEEPER
10	E03100210	10	STEEL BOLT FZB 10 - 25 MM
11	E03100260	10	STEEL BOLT FZB 12 - 20 MM
19	E03803070	1	LOCK NUT FZB 10 MM 8.8
22	E03900050	10	DISC DIN 125B FZB 10 MM
23	E03900060	10	DISC 12 MM
28	E04000470	1	HYDRAULIC MOTOR OMP 160
29	E04120040	1	STRAIGHT SCREWING
30	E04120130	1	STRAIGHT SCREWING
31	E04120160	1	STRAIGHT SCREWING
32	E04120170	1	STRAIGHT SCREWING
33	E04120410	1	STRAIGHT SCREWING
34	E04421260	1	RAPID HYDRAULIC HOSE 1/4. L 370 MM.
35	E04421270	1	RAPID HYDRAULIC HOSE 1/4. L 420 MM.
38	E04501400	1	HYDRAULIC COUPLING 1/4. MALE.
39	E04501420	1	HYDRAULIC COUPLING 3/8. MALE.
40	E04502010	1	HYDRAULIC CYLINDER DVL 30/16-70 MM
43	E09722040	1	FLAP
45	E09722190	1	SEALING
47	E09825060	1	SHIMS
49	E41103700	1	FLAP
50	E41201820	1	SPACER PIPE
52	E61000539	1	CLUTCH HOLDER
53	E61000549	2	BUSH
55	E61201045	1	A-FRAME SNOW SWEEPER
57	E61201065	1	ARM LEFT
58	E61201075	1	ENGINE CONSOLE
73	E04009440	1	GASKET SET
74	E01901300	1	LOCKING PIN 30 MM
75	E04509080	1	GASKET SET
76	E01702050	1	BEARING
77	E04009460	1	STEEL NUT OMP 160
78	E04009150	1	DISC
79	E02300150	1	PARALLEL KEY B 5X5X14
80	E01901330	1	LOCKING PIN 32 MM
81	E41201830	1	SUPPLY TUBE
82	E41201840	1	RETURN PIPE
83	E04421300	1	RAPID HYDRAULIC HOSE 1/2. L 425 MM.
84	E04421280	1	RAPID HYDRAULIC HOSE 1/2. L 370 MM.
85	E04001620	1	DIRECTIONAL VALVE
86	E04109180	1	BANJO HYDRAULIC BOLT 1/2.
87	E02704060	1	RUBBER PASSAGE Ø12 MM
88	E41104120	1	WINDOW AND HOSE CLIP

Snow sweeper 2250 - Revers kit - 70101091-04

2250 ATTACHMENTS

11-09-2012

Part List ID
EGHA1161

141

Pos	Part no.	Qty	Description
89	E03909160	1	COPPER DISC 21X26X1.5 - 1/2.
90	E09722200	1	STOPPER
91	E05004360	1	SOCKET MALE
93	E09921850	1	BLOCK
94	E04013000	1	SOLENOID VALVE
95	E04013350	1	FIELD COIL 12VDC
96	E30000320	1	WIRING

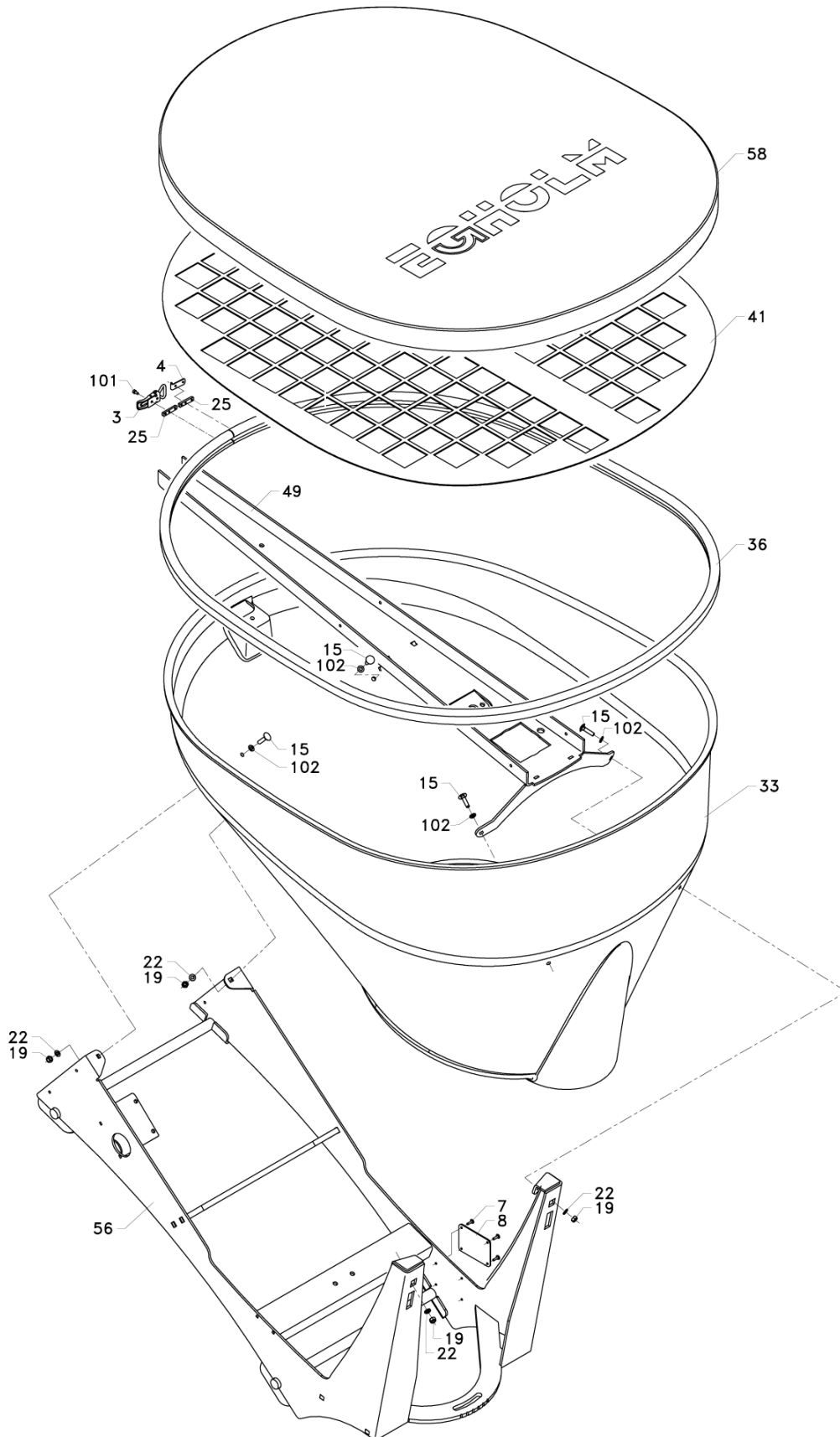
Salt sand spreader 2250 - Tank and grating - 701

2250 ATTACHMENTS

11-09-2012

Part List ID
EGHATT62

142



15.02.2011

70101081-01A

Salt sand spreader 2250 - Tank and grating - 701

2250 ATTACHMENTS

11-09-2012

Part List ID
EGHAI162

143

Pos	Part no.	Qty	Description
0	E70101301	1	SALT SAND SPREADER
3	E01302230	1	LOCK ADJUSTABLE
4	E01302240	1	HOOK
7	E02000030	4	RIVET 3.2 - 12 MM
8	E03000010	1	MODEL PLATE
15	E03501040	10	CARRIAGE BOLT A2 6 - 25 MM
19	E03804010	10	LOCK NUT A2 6 MM
22	E03905010	10	DISC A2 6 MM
25	E41001390	2	TIGHTENING CLIP
33	E09722650	1	TANK GRITTER
36	E09722720	1	EDGING BEADING
41	E09827460	1	GRATING
49	E41201930	1	STRENGTHENING BEAM
56	E61201305	1	CHASSIS GRITTER
58	E09723170	1	COVER
101	E03200820	5	SCREW A2 4X12
102	E03902050	10	SHIELD DISC A2 6 MM 6.4/18X1.6

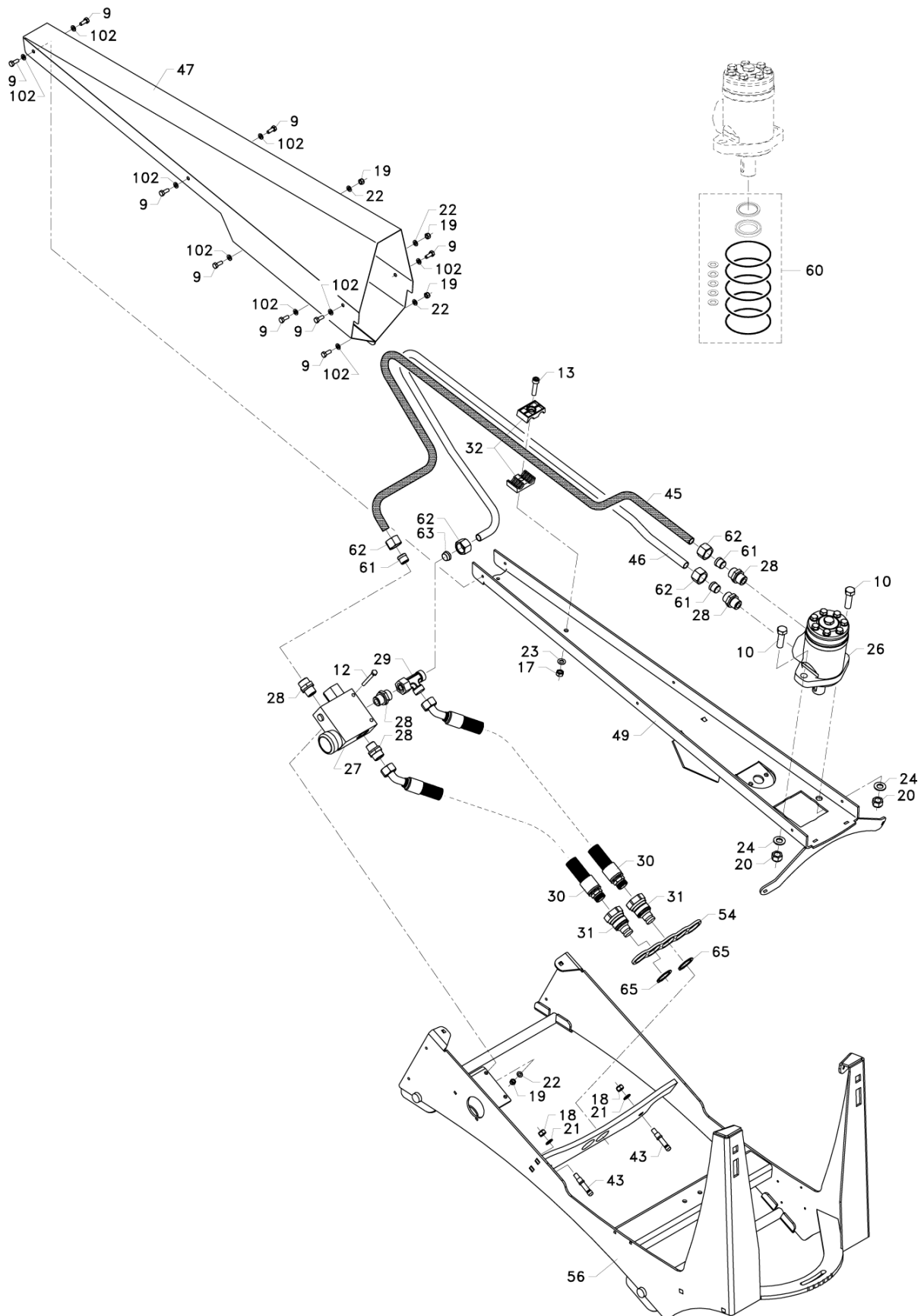
Salt sand spreader 2250 - Hydraulic - 70101081-(

2250 ATTACHMENTS

11-09-2012

Part List ID
EGHATT63

144



15.02.2011

70101081-02A

Salt sand spreader 2250 - Hydraulic - 70101081-0

2250 ATTACHMENTS

11-09-2012

Part List ID
EGHAI163

145

Pos	Part no.	Qty	Description
0	E70101301	1	SALT SAND SPREADER
9	E03102020	10	STEEL BOLT A2 6 - 16 MM
10	E03102060	2	STEEL BOLT A2 12 - 40 MM
12	E03102230	2	STEEL BOLT A2 6 - 55 MM
13	E03404190	3	ALLEN SCREW FZB 8X35
17	E03802020	2	STEEL NUT A2 8 MM
18	E03803060	2	LOCK NUT FZB 8 MM
19	E03804010	4	LOCK NUT A2 6 MM
20	E03804040	2	LOCK NUT A2 12 MM
21	E03900040	2	DISC 8 MM
22	E03905010	4	DISC A2 6 MM
23	E03905020	2	DISC A2 8 MM
24	E03905110	2	TIGHTENING DISC A2 12 MM
26	E04000120	1	HYDRAULIC MOTOR OMP 50
27	E04002310	1	REGULATING VALVE
28	E04120170	6	STRAIGHT SCREWING
29	E04180340	1	ADJUSTABLE T
30	E04421370	2	RAPID HYDRAULIC HOSE 1/2. L 580 MM.
31	E04501420	2	HYDRAULIC COUPLING 3/8. MALE.
32	E04503010	2	HYDR. PIPE CLAMP
43	E09923220	2	TAP FOR CONNECTING
45	E41105810	1	HYDRAULIC PIPE LEFT
46	E41105820	1	HYDRAULIC PIPE RIGHT
47	E41106060	1	PIPE COVER F. HEATER
49	E41201930	1	STRENGTHENING BEAM
54	E61000829	1	COUPLING PLATE
56	E61201305	1	CHASSIS GRITTER
60	E04009080	1	GASKET SET
63	E04150040	1	CUTTING RING
65	E01901330	2	LOCKING PIN 32 MM
102	E03902050	10	SHIELD DISC A2 6 MM 6.4/18X1.6

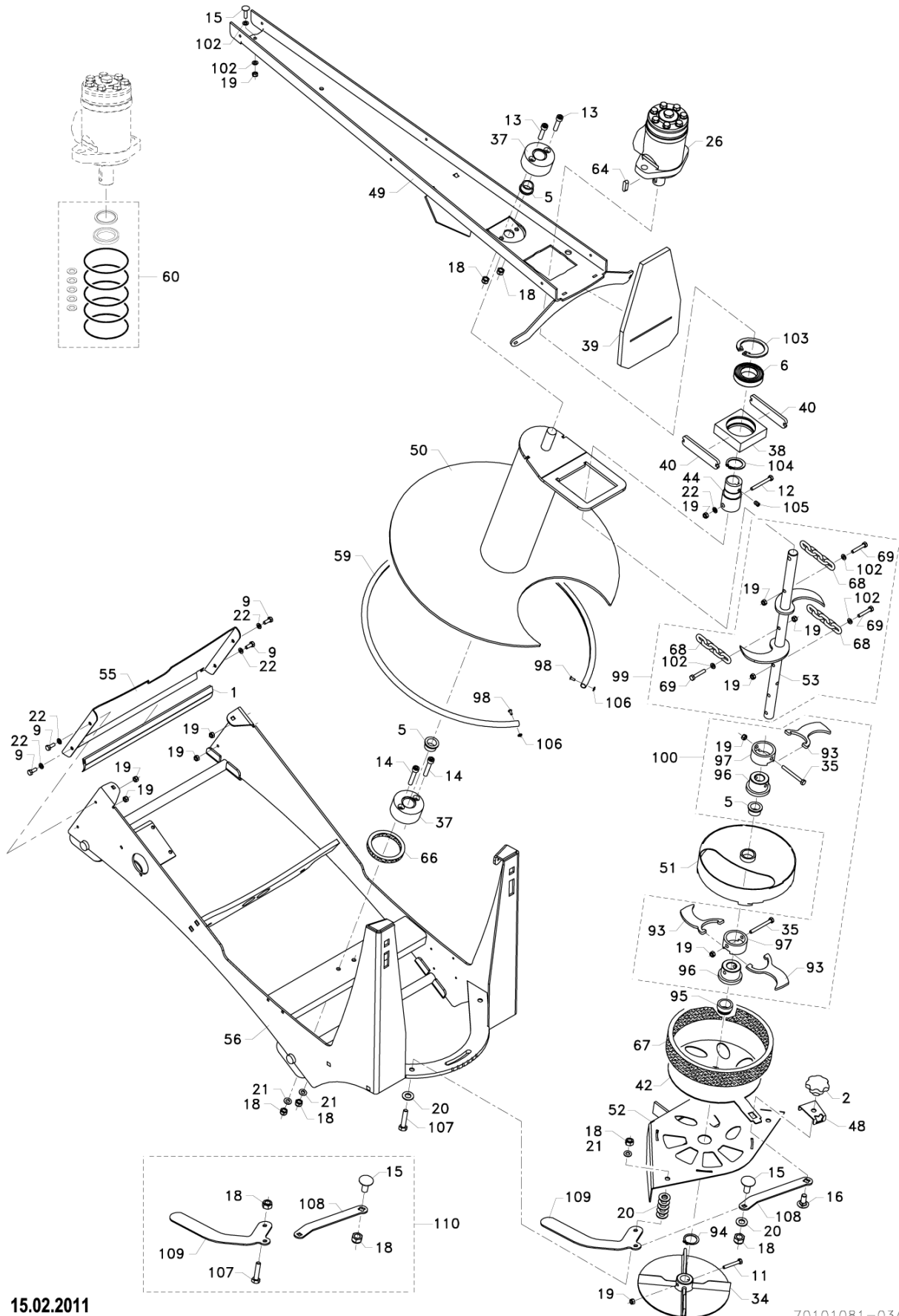
Salt sand spreader 2250 - Stir and spreader plate

2250 ATTACHMENTS

11-09-2012

Part List ID
EGHATT64

146



15.02.2011

70101081-03A

Salt sand spreader 2250 - Stir and spreader plate

2250 ATTACHMENTS

11-09-2012

Part List ID
EGHAI164

147

Pos	Part no.	Qty	Description
0	E70101301	1	SALT SAND SPREADER
1	E20012660	1	MOULDING RIGHT
2	E01302260	1	HANDLE 10 MM
5	E01609160	1	COLLAR LINING
6	E01700030	1	BEARING HOUSE 6007 2RS
9	E03102020	4	STEEL BOLT A2 6 - 16 MM
11	E03102120	1	STEEL BOLT A2 6 - 40 MM
12	E03202040	1	STEEL BOLT A2 8 - 50
13	E03403060	10	ALLEN SCREW A2 8 - 35 MM
14	E03904000	10	ALLEN SCREW A2 8 - 40 MM
15	E03200910	1	SCREW 6X25 A2
16	E03501080	1	CARRIAGE BOLT A2 10 - 25 MM
18	E03804020	1	LOCK NUT A2 8 MM
19	E03804010	1	LOCK NUT A2 6 MM
20	E03902060	10	SHIELD DISC A2 8 MM 8.4/24X2
21	E03900040	1	DISC 8 MM
22	E03905020	1	DISC A2 8 MM
26	E04000120	1	HYDRAULIC MOTOR OMP 50
34	E09722680	1	DEFLECTOR PLATE
35	E03202090	1	STEEL BOLT A2 6 - 60 MM
37	E09722730	1	BEARING BLOCK
38	E09722750	1	BEARING BLOCK
39	E09723020	1	SEAL TANK INDICATOR
40	E09827420	1	WEAR PIECE
42	E41110100	1	ADJUSTING PLATE EN1.4301AISI304
44	E09922330	1	COUPLING
48	E41106350	1	INDICATOR PLATE
49	E41201930	1	STRENGTHENING BEAM
50	E41201940	1	BOTTOM PLATE
51	E41202440	1	DEFLECTOR HOUSE
52	E41202450	1	BOTTOM PLATE CABIN
53	E41202430	1	AXLE FOR GRITTER
55	E61100975	1	SCREEN FRONT
56	E61201305	1	CHASSIS GRITTER
59	E41001250	1	SEALING AROUND PLATE
60	E04009080	1	GASKET SET
64	E02300130	1	PARALLEL KEY A 8X7X32
66	E09723650	1	SEALING AROUND PLATE
67	E09723660	1	SEAL
68	E41001270	1	CHAIN FOR AXLE
69	E03102010	1	STEEL BOLT A2 6 - 10 MM
93	E41108300	1	STIR ARM
94	E01900570	1	LOCKING PIN 28 MM

Salt sand spreader 2250 - Stir and spreader plate

2250 ATTACHMENTS

11-09-2012

Part List ID
EGHAI164

148

Pos	Part no.	Qty	Description
95	E09922640	1	TUBE SPREADER PLATE
96	E09723940	1	STIRRER HUB
97	E09828200	1	TUBE FOR NUT Ø50X5
98	E02000070	2	RIVET 4.8 - 16 MM
99	E90501961	1	CHAIN KIT FOR AXLE
100	E90501971	1	STIR KIT WITH HUB
101	666666	1	NOTE COMMENT Call Dag Phone number +49....
102	E03902050	1	SHIELD DISC A2 6 MM 6.4/18X1.6
103	E01900560	1	LOCKING PIN 62 MM
104	E01900550	1	LOCKING PIN 35 MM
105	E03403090	1	ALLEN SCREW A2 6 - 8 MM
106	E03905100	1	TIGHTENING DISC A2 5 MM
107	E03102130	2	STEEL BOLT A2 8 - 22 MM
108	E09829620	1	ROD
109	E09829630	1	HANDLE
110	E90502021	1	ADJUSTMENT HANDLE
111	7777777	1	USE LINK Call Dag Phone number +49....
120	E80600010	1	STIRRER

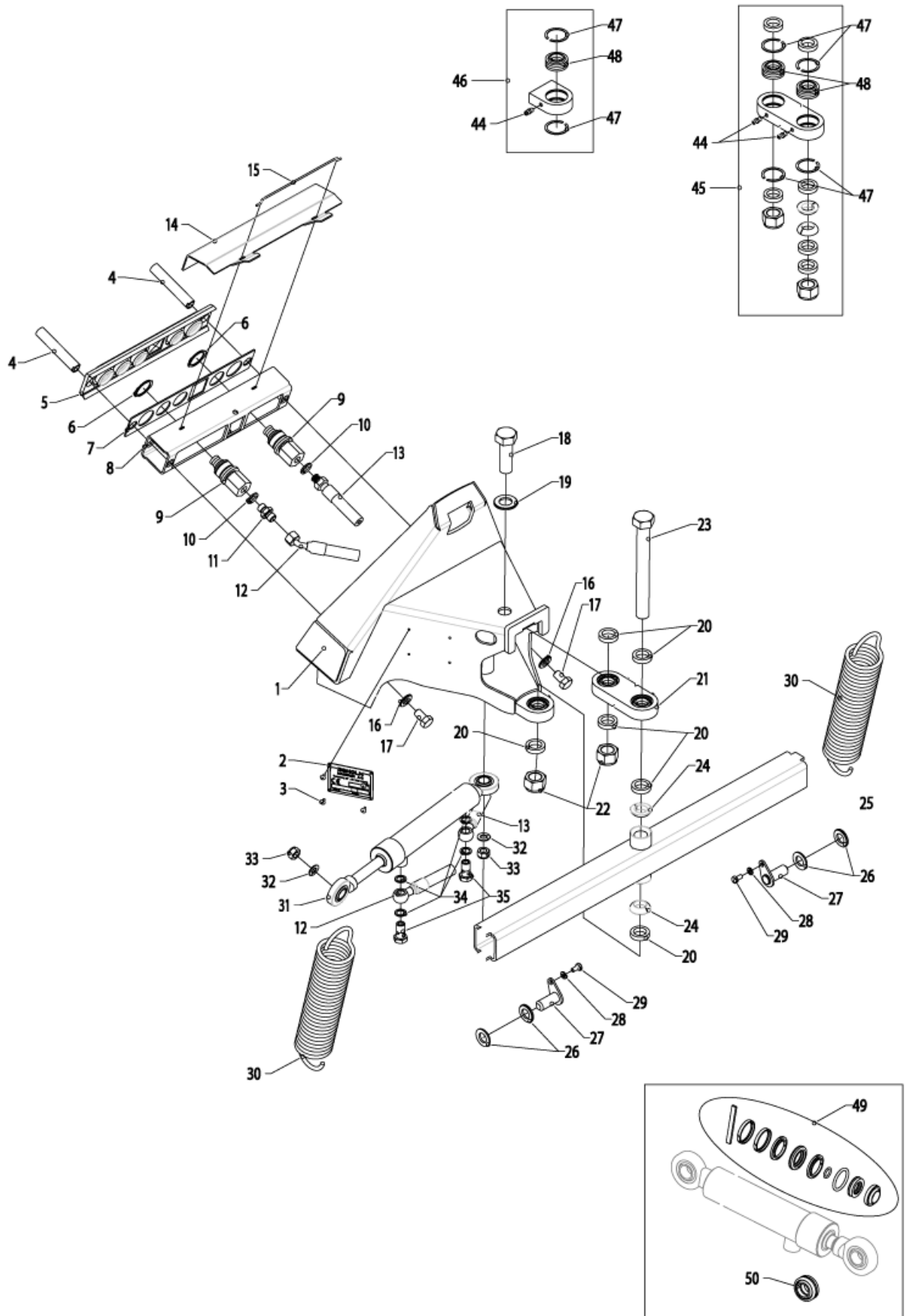
Dozer blade 2250 - Hydraulic - 70101281-1A

2250 ATTACHMENTS

11-09-2012

Part List ID
EGHATT65

149



Dozer blade 2250 - Hydraulic - 70101281-1A

2250 ATTACHMENTS

11-09-2012

Part List ID
EGHAI165

150

Pos	Part no.	Qty	Description
0	E70101281	1	DOZER BLADE 1300 MM
1	E61202495	1	A-FRAME DOZER BLADE
2	E03000010	0	MODEL PLATE
3	E02000020	4	RIVET 3.0 - 8.0 MM
4	E61000549	2	BUSH
5	E09722190	1	SEALING
6	E01901300	2	LOCKING PIN 30 MM
7	E09825060	1	SHIMS
8	E61000539	1	CLUTCH HOLDER
9	E04501400	2	HYDRAULIC COUPLING 1/4. MALE.
10	E04500020	2	SEALING RING 1/4.
11	E04109160	1	HYDR. BUSHING 1/4.
12	E04421210	1	RAPID HYDRAULIC HOSE 1/4. 500 MM.
13	E04421220	1	RAPID HYDRAULIC HOSE 1/4. 233 MM.
14	E41103700	1	FLAP
15	E09722040	1	FLAP
16	E03905110	10	TIGHTENING DISC A2 12 MM
17	E03100260	2	STEEL BOLT FZB 12 - 20 MM
18	E03200540	1	STEEL BOLT FZB 20 - 60 MM
19	E03900100	10	DISC 20 MM
20	E60000178	6	SPACER RING 30/20-7 MM
21	E61200908	1	DOUBLE JOINT GF20DO
22	E03803110	2	LOCK NUT FZB 20 MM
23	E03200380	1	STEEL BOLT FZB 20 - 180 MM
24	E60000218	2	SPRING DISC 20 MM
25	E61202485	1	COUPLING FRAME
26	E03900080	4	DISC 16 MM
27	E61202819	2	AXLE FOR DOZER BLADE
28	E03900030	2	DISC 6 MM
29	E03100070	2	STEEL BOLT FZB 6 - 12 MM
30	E02200060	2	TENSION SPRING
31	E04502060	1	HYDRAULIC CYLINDER DVL 30/16-120 MM
32	E03900050	2	DISC DIN 125B FZB 10 MM
33	E03803070	2	LOCK NUT FZB 10 MM 8.8
34	E03909070	4	COPPER DISC 1/4.
35	E04109060	2	BANJO HYDRAULIC BOLT 1/4.
44	E02400020	3	OIL CUP M6
45	E90501921	1	ARTICULATE SET
46	E01701030	1	BEARING HOUSE
47	E01901810	2	LOCKING PIN
48	E01702020	1	BEARING
49	E04509080	1	GASKET SET
50	E01702050	2	BEARING

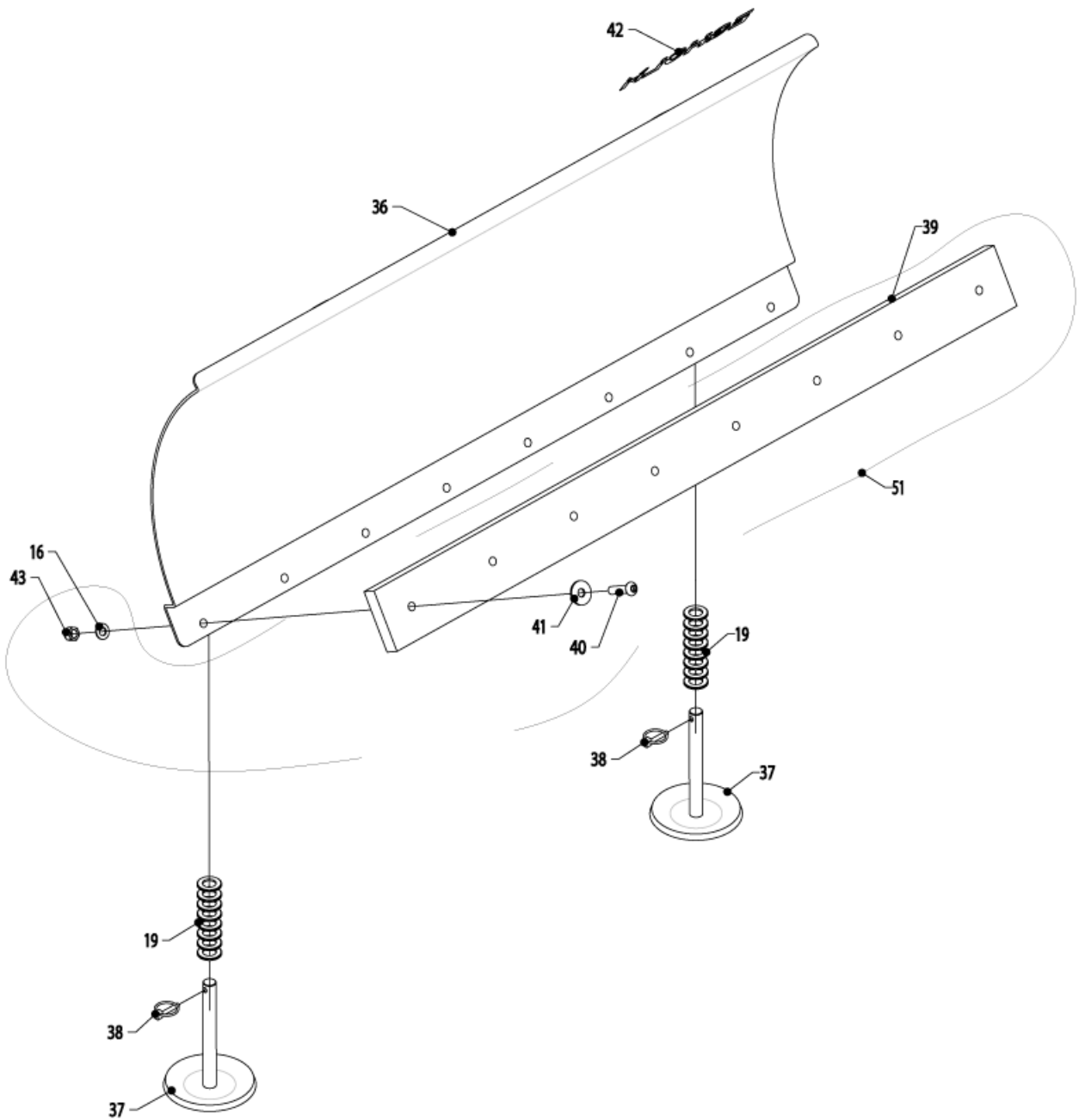
Dozer blade 2250 - Edge- 70101281-2A

2250 ATTACHMENTS

11-09-2012

Part List ID
EGHATT66

151



Dozer blade 2250 - Edge- 70101281-2A

2250 ATTACHMENTS

11-09-2012

Part List ID
EGHAI166

152

Pos	Part no.	Qty	Description
0	E70101281	1	DOZER BLADE 1300 MM
16	E03905110	10	TIGHTENING DISC A2 12 MM
19	E03900100	17	DISC 20 MM
36	E61202795	1	SCRAPER SHIELD
37	E61200898	2	STAND
38	E01905020	2	FUSE PIN 6.0 - 27 MM
39	E09724490	1	RUBBER EDGE
40	E03200890	8	SCREW 12X50 A2
41	E03902130	8	SHIELD DISC A2 12 MM 13/37X3
42	E03001830	1	STICKER
43	E03804040	8	LOCK NUT A2 12 MM
51	E90501931	1	RUBBER EDGE COMPLETE

Snowblower 2250 - Hydraulic, toothbelt and shi

2250 ATTACHMENTS

11-09-2012

Part List ID
EGHAI1167

154

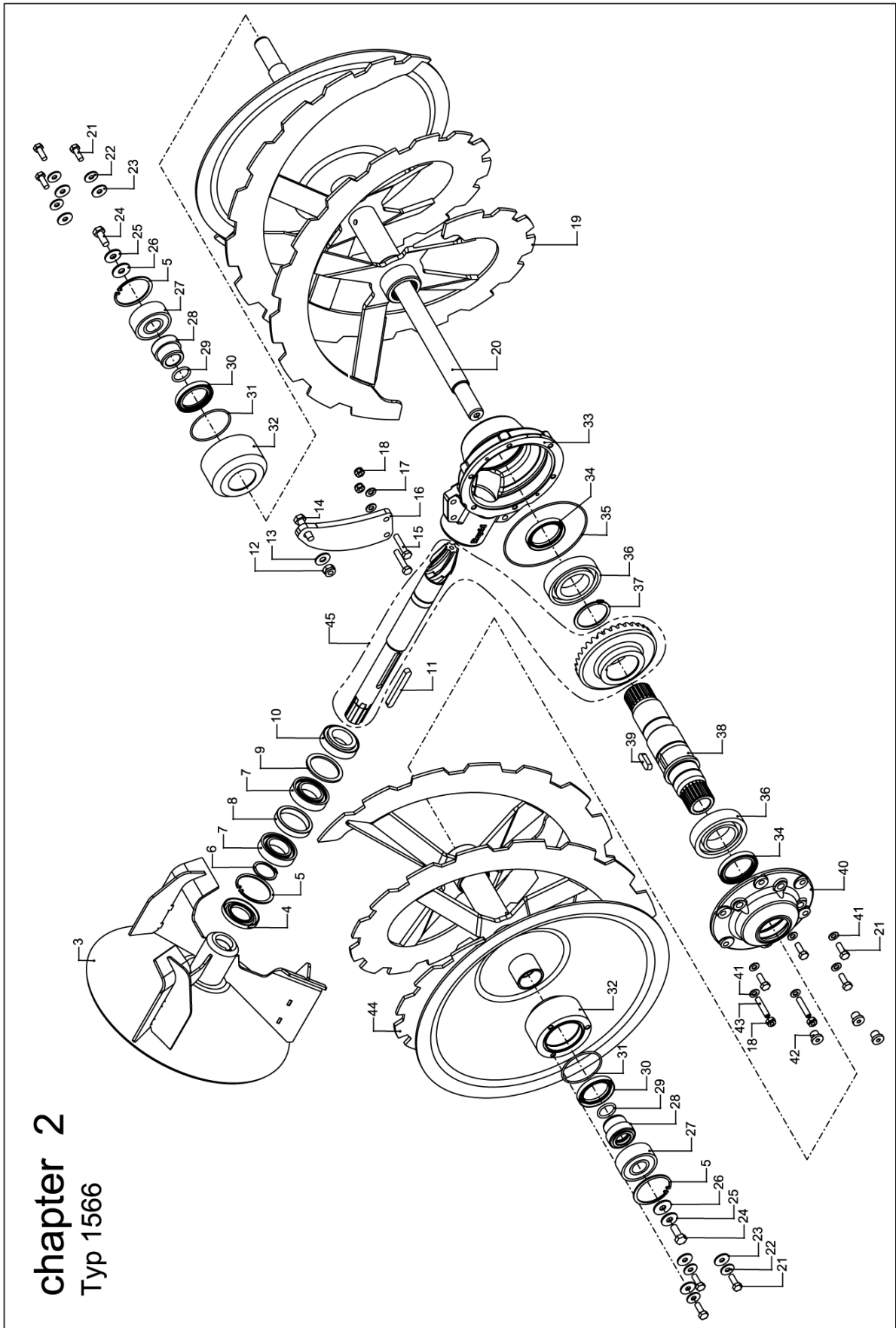
Pos	Part no.	Qty	Description
0	E70101171	1	SNOW BLOWER
5	E03100230	2	STEEL BOLT FZB 10 - 35 MM
9	E03800060	10	STEEL NUT FZB 10 MM
10	E03904040	2	SAFE DISC 10 MM
11	E03904040	10	SAFE DISC 10 MM
12	E03100220	10	STEEL BOLT FZB 10 - 30 MM
14	E90605010	1	TOOTHED BELT WASHER
15	E03904055	10	SAFE DISC M14
16	E03800080	10	STEEL NUT M14 X 1.5
17	E01700220	1	RAPID BEARING 45X85
18	E01901540	1	LOCKING PIN
20	E02300160	1	PARALLEL KEY 16X10X45
21	E90605030	1	TOOTHED BELT WASHER
23	E03903060	10	SHIELD DISC FZB M10 11.5X35X6
24	E01604240	1	RAPID TOOTHED BELT
27	E03904030	10	SAFE DISC 8 MM
28	E03100130	10	STEEL BOLT FZB 8 - 16 MM
29	E03904050	10	SAFE DISC 12 MM
30	E03100270	10	STEEL BOLT FZB 12 - 25 MM
32	E90605060	1	RAPID A-FRAME
33	E01905070	2	TIGHTENING PIN 8X50
34	E90605070	1	RAPID SLIDE SHOE
35	E60201058	2	PLOUGH BOLT 10 X 25 MM
37	E03803070	10	LOCK NUT FZB 10 MM 8.8
38	E01801130	1	SEAL RING 45X62X8 AS
39	E03900050	10	DISC DIN 125B FZB 10 MM
40	E90605090	1	RAPID SCRAPER BAR
41	E03803040	10	LOCK NUT FZB 6 MM
42	E90605100	1	PROTECTIVE CLOTH
45	E90605130	1	RAPID CASE THROWER
46	E02000010	2	RIVET 2.4 - 7.5 MM
47	E03100390	10	STEEL BOLT FZB 8 - 45 MM
48	E03900040	10	DISC 8 MM
49	E03800050	10	STEEL NUT FZB 8 MM
51	E02000060	2	RIVET 4.8 - 10 MM
52	E90605150	1	WOOD TAPPET
53	E03001200	1	STICKER
54	E03001150	1	STICKER
55	E90605160	1	STICKER
56	E60201058	6	PLOUGH BOLT 10 X 25 MM
59	E02300170	1	PARALLEL KEY
61	E03100210	4	STEEL BOLT FZB 10 - 25 MM

Snowblower 2250 - Mill, gear house and helix - 2250 ATTACHMENTS

11-09-2012

Part List ID
EGHATT68

155



chapter 2
Typ 1566

Snowblower 2250 - Mill, gear house and helix - 2250 ATTACHMENTS

11-09-2012

Part List ID
EGHAI168

156

Pos	Part no.	Qty	Description
0	E70101171	1	SNOW BLOWER
3	E90605200	1	CENTRIFUGE RING
4	E01801140	1	SEAL RING 35X62X7 AS
5	E01901530	3	LOCKING PIN
6	E01901520	1	LOCKING PIN
7	E01700130	2	BEARING HOUSE 6007 2RS1 35X62X14
8	E90605210	1	RAPID SPACER
9	E90605220	1	SUPPORTING ROLLER
10	E01700230	1	RAPID BEARING 32007X 35X62X18
11	E02300180	1	PARALLEL KEY 10X8X80
12	E03803070	10	LOCK NUT FZB 10 MM 8.8
13	E03900050	10	DISC DIN 125B FZB 10 MM
14	E03100240	10	STEEL BOLT FZB 10 - 40 MM
15	E03100180	10	STEEL BOLT FZB 8 - 40 MM
16	E90605230	1	PLATE TRANSMISSION
17	E03900040	10	DISC 8 MM
18	E03803060	10	LOCK NUT FZB 8 MM
19	E90605240	1	RAPID SPIRAL RIGHT
20	E90605250	1	RAPID SHAFT
21	E03100150	10	STEEL BOLT FZB 8 - 25 MM
22	E03904030	10	SAFE DISC 8 MM
23	E03903020	10	SHIELD DISC 5/16. X 30 MM.
24	E03100210	10	STEEL BOLT FZB 10 - 25 MM
25	E03904040	10	SAFE DISC 10 MM
26	E03900050	10	DISC DIN 125B FZB 10 MM
27	E01700240	2	RAPID BEARING 25X62X24
28	E90605270	1	RAPID CENTRAL FLANGE
29	E01800510	2	O-RING 99X3.53
30	E01801130	2	SEAL RING 45X62X8 AS
31	E01800520	2	O-RING 77X2.62
32	E90605280	1	RAPID FLANGE
33	E90605290	1	RAPID GEARBOX CASING
34	E01801150	1	SEAL RING 50X65X8 AS
35	E01800530	2	O-RING 135X2.5
36	E01700250	2	RAPID BEARING
37	E01901550	1	LOCKING PIN 55 MM
38		1	NOTE COMMENT Not available
38	E90605300	1	RAPID AXLE HOLE
39	E02300190	1	PARALLEL KEY 10X8X32
40	E90605310	1	RAPID GEARBOX COVER
41	E03904020	6	SAFE DISC 6 MM
42	E04103010	1	HYDR. PLUG 1/4.
43	E90605320	1	RAPID THREADED PIN M8X40

Snowblower 2250 - Mill, gear house and helix - 2250 ATTACHMENTS

11-09-2012

Part List ID
EGHAI168

157

Pos	Part no.	Qty	Description
44	E90605330	1	RAPID SPIRAL RIGHT
45	E90605340	1	RAPID CROWN WHEEL

Snowblower 2250 - Hydraulic and throw-out shi

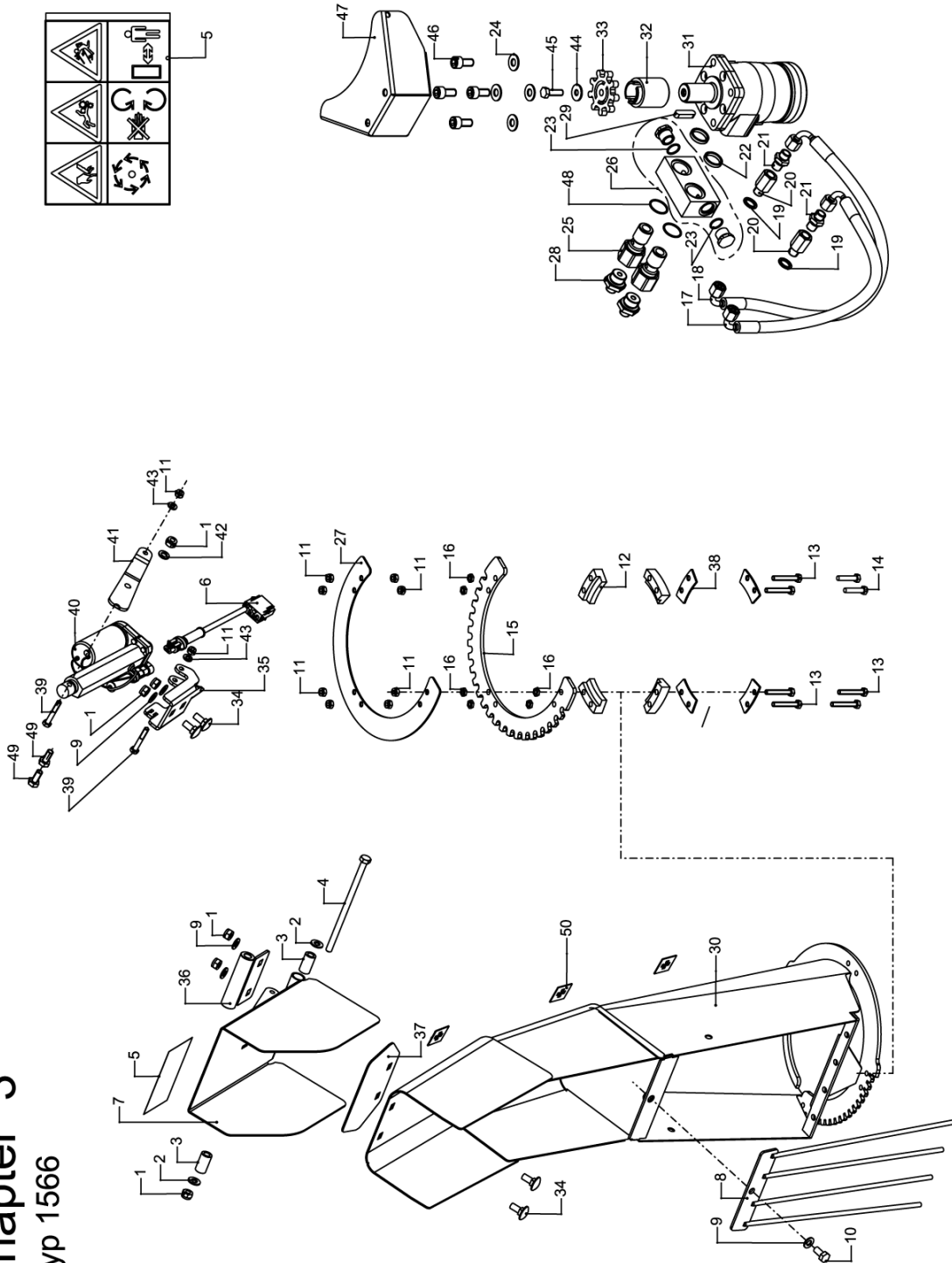
2250 ATTACHMENTS

11-09-2012

Part List ID
EGHATT69

158

chapter 3 Typ 1566



Snowblower 2250 - Hydraulic and throw-out shi

2250 ATTACHMENTS

11-09-2012

Part List ID
EGHAI169

159

Pos	Part no.	Qty	Description
0	E70101171	1	SNOW BLOWER
1	E03803060	10	LOCK NUT FZB 8 MM
2	E03800050	10	STEEL NUT FZB 8 MM
3	E90605350	2	RAPID SPACING PIPE
4	E03200840	1	STEEL BOLT M8X150 MM
5	E90605360	1	RAPID STICKER
6	E30000780	1	WIRING
7	E90605370	1	RAPID FLAP
8	E90605380	1	RAPID GRATING
9	E03904030	10	SAFE DISC 8 MM
10	E03100130	10	STEEL BOLT FZB 8 - 16 MM
11	E03803040	10	LOCK NUT FZB 6 MM
12	E90605390	4	RAPID GUIDANCE
13	E03100410	10	STEEL BOLT FZB 6 - 40 MM
14	E03200050	10	STEEL BOLT FZB 6 - 30 MM
15	E90605400	1	TOOTHED QUADRANT
16	E03800030	10	STEEL NUT FZB 6 MM
17	E04421780	1	RAPID HYDRAULIC HOSE
18	E04421790	1	RAPID HYDRAULIC HOSE
19	E04500020	2	SEALING RING 1/4.
20	E04107000	2	HYDRAULIC ADAPTER
21	E04107010	2	HYDRAULIC JOINT
22	E04107020	2	HYDR. CUTTING RING
23	E03909000	2	COPPER DISC 3/8.
24	E03904040	10	SAFE DISC 10 MM
25	E04107030	2	HYDRAULIC SCREW
26	E90605410	1	HYDRAULIC BLOCK
27	E90605420	1	RAPID COVER PLATE
28	E04107040	2	HYDRAULIC JOINT
29	E02300090	1	PARALLEL KEY 8 - 7 - 30 MM
30	E90605430	1	DISCHARGE CHUTE
31	E04000550	1	HYDRAULIC MOTOR
32	E90605440	1	RAPID BOLT
33	E90605450	1	RAPID PINION
34	E03501020	2	CARRIAGE BOLT A2 8 - 20 MM
35	E90605460	1	RAPID SUPPORT
36	E90605470	1	RAPID HINGE
37	E90605480	1	RAPID RUBBER TAB
38	E90605490	1	RAPID FOUNDATION
39	E03200070	10	STEEL BOLT FZB 6 - 40 MM
40	E90605500	1	RAPID EL. CYLINDER
41	E90605510	1	RAPID SUPPORT
42	E03900040	10	DISC 8 MM

Snowblower 2250 - Hydraulic and throw-out shi

2250 ATTACHMENTS

11-09-2012

Part List ID
EGHAI169

160

Pos	Part no.	Qty	Description
43	E03900030	10	DISC 6 MM
44	E03904030	10	SAFE DISC 8 MM
45	E03100150	10	STEEL BOLT FZB 8 - 25 MM
46	E03404150	4	ALLEN SCREW 10X20 FZB
47	E90605520	1	RAPID COVER PLATE
48	E03909160	2	COPPER DISC 21X26X1.5 - 1/2.
49	E03100130	2	STEEL BOLT FZB 8 - 16 MM
50	E90605530	3	RAPID PLATE ADHESIVE

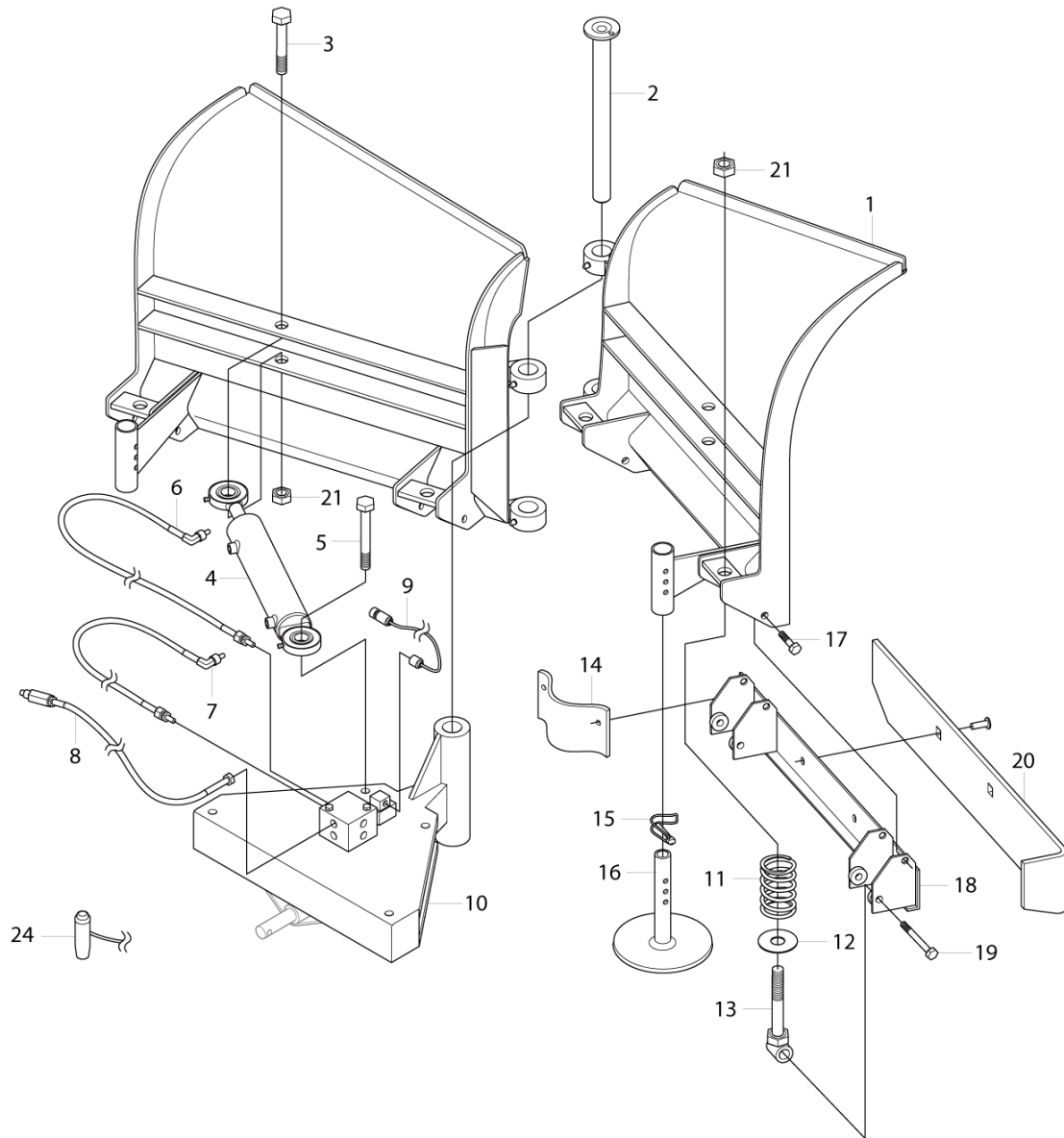
Snow V-blade 2250 - V-blade, hyd. Hose and cal

2250 ATTACHMENTS

11-09-2012

Part List ID
EGHATT70

161



Snow V-blade 2250 - V-blade, hyd. Hose and car

2250 ATTACHMENTS

11-09-2012

Part List ID
EGHAI170

162

Pos	Part no.	Qty	Description
0	E70101291	1	SNOW V-BLADE GMR
2	E01108020	1	AXLE FOR V-BLADE
4	E01108030	1	HYDRAULIC CYLINDER
11	E01108060	1	SPRING 931040
13	E01108070	1	SPRING BOLT 931014
15	E01905075	1	TIGHTENING PIN 6X40
16	E01108080	1	SHOE FOR V-BLADE
20	E01108045	1	PUR BLADE
20	E01108055	1	STEEL BLADE V-BLADE
24	E30000760	1	WIRING
25	E04001680	1	SWITCH VALVE 6/2 1/4.
25	E04003290	1	VALVE
25	E04003300	1	COIL

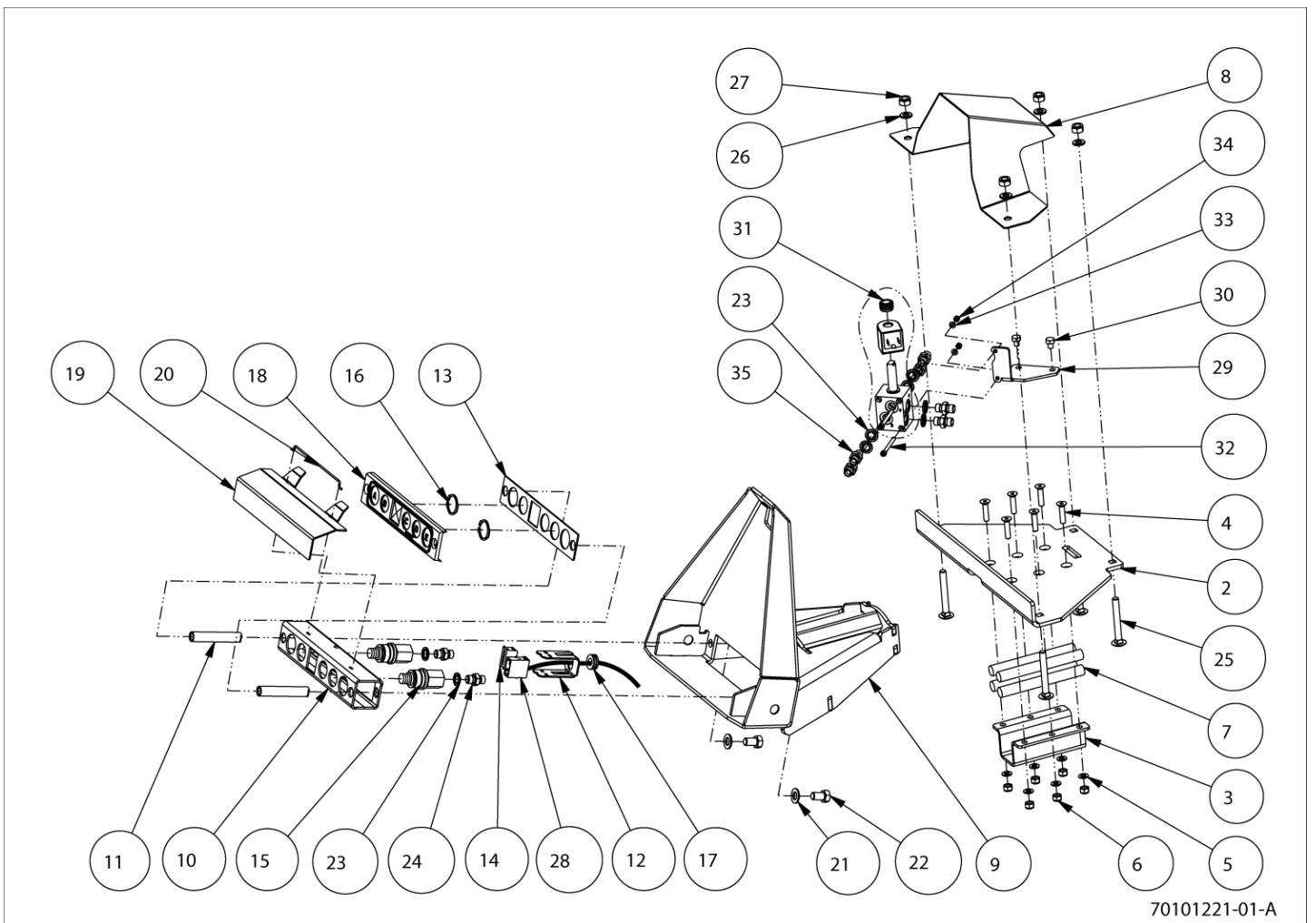
Snow V-blade 2250 - Coupling and a-frame - 701

2250 ATTACHMENTS

11-09-2012

Part List ID
EGHATT71

163



Snow V-blade 2250 - Coupling and a-frame - 7010

2250 ATTACHMENTS

11-09-2012

Part List ID
EGHAI171

164

Pos	Part no.	Qty	Description
0	E70101291	1	SNOW V-BLADE GMR
7	E09724860	4	RUBBER BAND
9	E61202455	1	A-FRAME SNOW V-BLADE
10	E61000539	1	CLUTCH HOLDER
11	E61000549	2	BUSH
12	E41104120	1	WINDOW AND HOSE CLIP
13	E09825060	1	SHIMS
14	E09722200	1	STOPPER
15	E04501400	1	HYDRAULIC COUPLING 1/4. MALE.
16	E01901300	1	LOCKING PIN 30 MM
18	E09722190	1	SEALING
19	E41103700	1	FLAP
20	E09722040	1	FLAP
21	E03900060	10	DISC 12 MM
22	E03100260	10	STEEL BOLT FZB 12 - 20 MM
23	E04500020	10	SEALING RING 1/4.
28	E30000760	1	WIRING
36	E04001680	1	SWITCH VALVE 6/2 1/4.