

Applied Sweepers



Parts Catalogue



636HS Green Machine

The information contained within this document conforms wherever possible to The European Machinery Directive 89/392/EEC as amended by Directive 91/368/EEC

©Applied Sweepers Ltd. 2004-2005. The document is confidential and the document and the copyright therein are the property of Applied Sweepers Ltd.

The document and any information therein may not be used, copied or disclosed to any third party without the prior written authorization of Applied Sweepers Ltd.

When ordering parts from this catalogue, please ensure you can provide the following:

The Model number of the unit. (on the Chassis Plate)
The Chassis number of the unit. (on the Chassis Plate)
The CIN number of the unit. (on the Chassis Plate)
The part number of the part you require.

If in doubt please refer to your Applied Sweepers Authorized Distributor.

Threaded fasteners - Replacement Hexagon head threaded screws must be Grade 8.8 minimum and Socket head screws Grade 12.9 minimum except where stated otherwise.

All Nuts must be Grade 8 minimum.

All fasteners must be zinc plated and passivated unless stated otherwise.

Applied Sweepers Limited reserve the right to change and or modify or discontinue to supply the parts listed in this catalogue without notice.

Applied Sweepers Limited cannot be held responsible for faults or delays due to parts suppliers.

636HS Green Machine

Parts Guide

Cab & Controls		
Cab - Underside	636088-8	5
Cab-Console	636081-8	6
Cab-Controls	636080-8	7
Cab-Doors	636085-8	8
Cab-Front	636087-8	9
Cab-Instrument Panel	636083-8	10
Cab-Seat /Armrest Controls	636084-8	11
Cab-Switch Panel	636082-8	12
Chassis, Axles, Brakes		
Braking System - Footbrake & Cables	636041-8	13
Braking System - Front Brakes	636039-8	14
Braking System - Handbrake & Cables	636042-8	15
Braking System - Rear Brakes	636040-8	16
Front Axle & Steering Linkage	636086-8	17
Rear Trailing Arms	636038-8	19
Electrical & Electronic Control		
Electrical System-Cab Electronic Management	636090-8	20
Electrical System-Chassis Electronic Management	636091-8	21
Engine & Ancillaries		
Engine - Cooling System	636049-8	22
Engine - Fuel Tank & Filter	636048-8	23
Engine - Left Side	636044-8	24
Engine - Rear	636046-8	25
Engine - Right Side	636045-8	26
Engine - Top View	636047-8	27
Engine Bay -Ancillary Components	636089-8	28
General		
Rear - Decals & Ancillaries	636098-8	29
Recommended Stockholding - Smaller Fleets 636HS	636100-8	30
Side - Decals & Ancillaries	636097-8	31
Special Tools and Schematic Drawings - 636HS	636099-8	32
Hydraulics		
Hydraulic System - Auxiliary Cylinder Manifold	636050-8	33
Hydraulic System - Auxiliary Motor Manifold	636051-8	35
Hydraulic System - Brush Cylinders	636056-8	36
Hydraulic System - Brush Height	636061-8	37
Hydraulic System - Fan & Brush Motors	636064-8	38
Hydraulic System - Hopper & Brush Valve	636060-8	39
Hydraulic System - Hopper Cylinders	636062-8	40
Hydraulic System - Hopper Manifold	636053-8	41
Hydraulic System - Hydraulic Cylinder & Hand Pump	636055-8	42
Hydraulic System - Hydraulic Cylinders	636054-8	43
Hydraulic System - Hydraulic Tank	636057-8	44
Hydraulic System - Steering	636058-8	45
Hydraulic System - Tanks, Pumps & Steering	636059-8	46
Hydraulic System - Transmission Manifold	636052-8	47
Hydraulic System - Wheel Motors	636063-8	48
Pressure Washer Option		
Pressure Washer - Hydraulic System (from CIN 2)	636095-8	49
Pressure Washer - Hydraulic System(to CIN 1)	636093-8	50
Pressure Washer - Lance/Hose Reel	636092-8	51

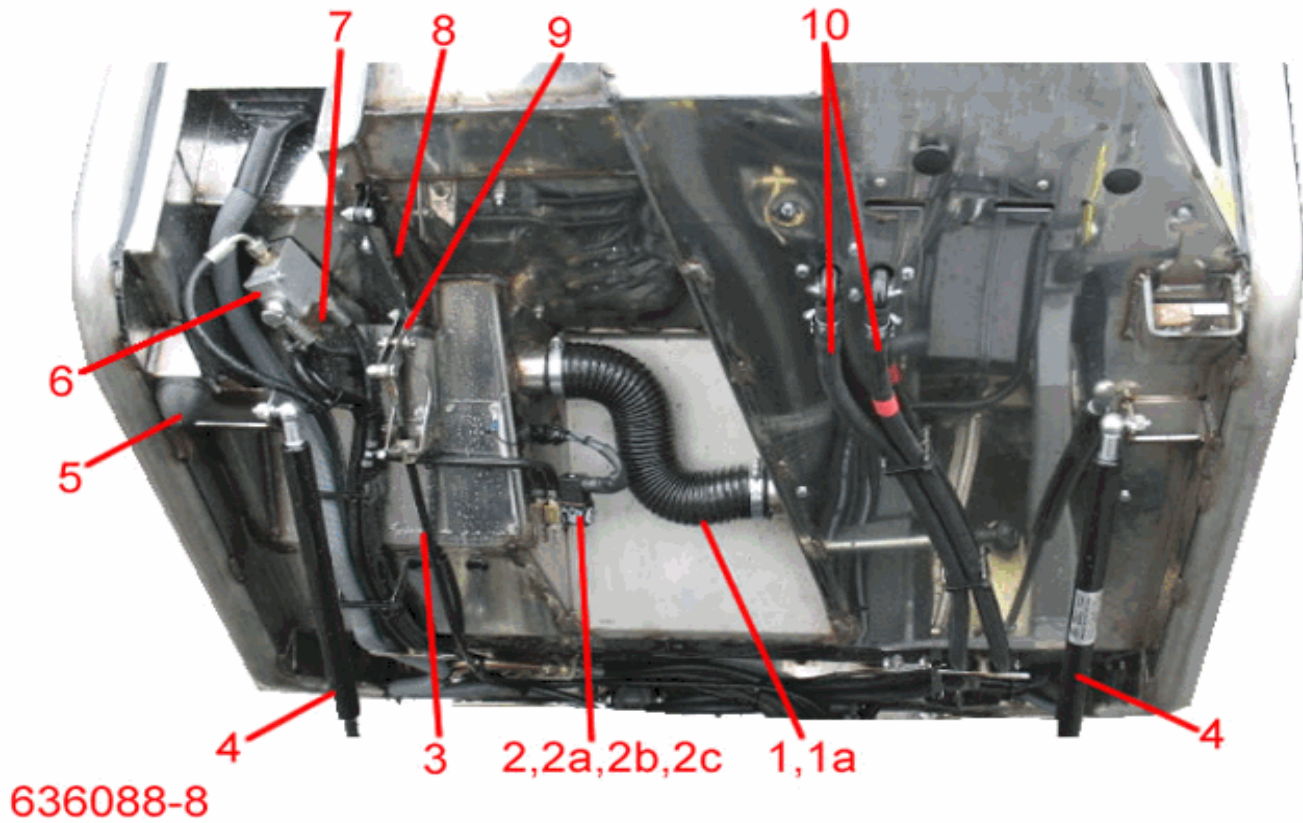
636HS Green Machine

Parts Guide

Pressure Washer - Pressure Washer Manifold	636096-8	52
Pressure Washer - Water System	636094-8	53
Sweeping Systems		
Front Brushes & Brush Arms	525011-4	54
Vacuum System - Drain Access Door	636071-8	55
Vacuum System - Fan Inspection Door	636074-8	56
Vacuum System - Front Nozzle	636065-8	57
Vacuum System - Hopper Drain Flap	636070-8	58
Vacuum System - Hopper Ducts	636069-8	59
Vacuum System - Hopper Front	636068-8	60
Vacuum System - Hopper Rear	636073-8	61
Vacuum System - Hopper Rear Door	636072-8	62
Vacuum System - Inlet Duct	636067-8	63
Vacuum System - Nozzle Flap	636066-8	64
Vacuum System-Clean Fan	636075-8	65
Vacuum System-Cyclones	636077-8	66
Vacuum System-Hopper Linkages	636076-8	67
Water System		
Water System - Cloudmaker	636036-8	68
Water System - Fan Casing Spray	525035-8	69
Water System - Front Brush Sprays	525036-8	70
Water System - General Arrangement	636031-8	71
Water System - Main Water Tank	636043-8	72
Water System - Side Water Tank	636034-8	73
Water System - Solenoid Valve for Atomiser	636037-8	74
Water System - Water pump and manifold	525032-8	75

Cab - Underside

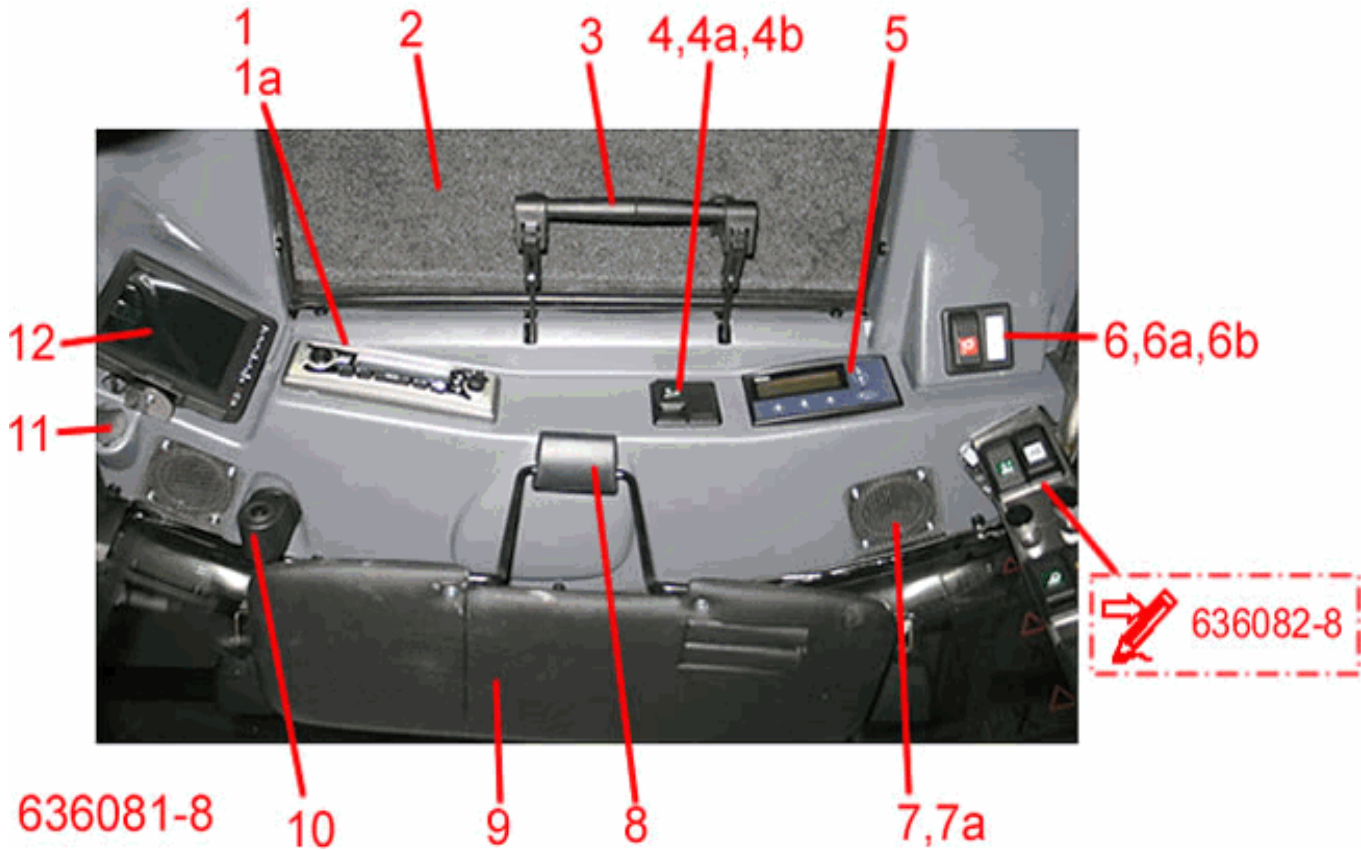
Model: **636HS Green Machine**
 From CIN: **1** To CIN: **999**
 Drawing: **636088-8** Rev:



1	MC343 - Hot Air Duct, Crossover 400mm lg.	1
1a	GG123 - Hose Clamp (55 to 70 mm)	2
2	WP214 - Solenoid Valve	1
2a	WP215 - Coil - Solenoid	1
2b	WP216 - Plug - Solenoid Valve	1
2c	WP217 - Hose Tail, 1/8	2
3	BB129 - Brake Cable, Front	1
4	GG282 - GG282 - Gas Strut,Cab Tilt	2
5	GG233 - Conical Progressive Stop, Cab Mounti	1
6	HV133 - Valve Assembly, Brush Height	1
7	WA121 - Needle Valve	1
8	MC312 - Tie Rod, machined, Handbrake Bellcran	1
9	MC309 - Handbrake Bellcrank Weldment	1
10	PC247 - PC247 - Heater Hose-Radiator to Heate	2

Cab-Console

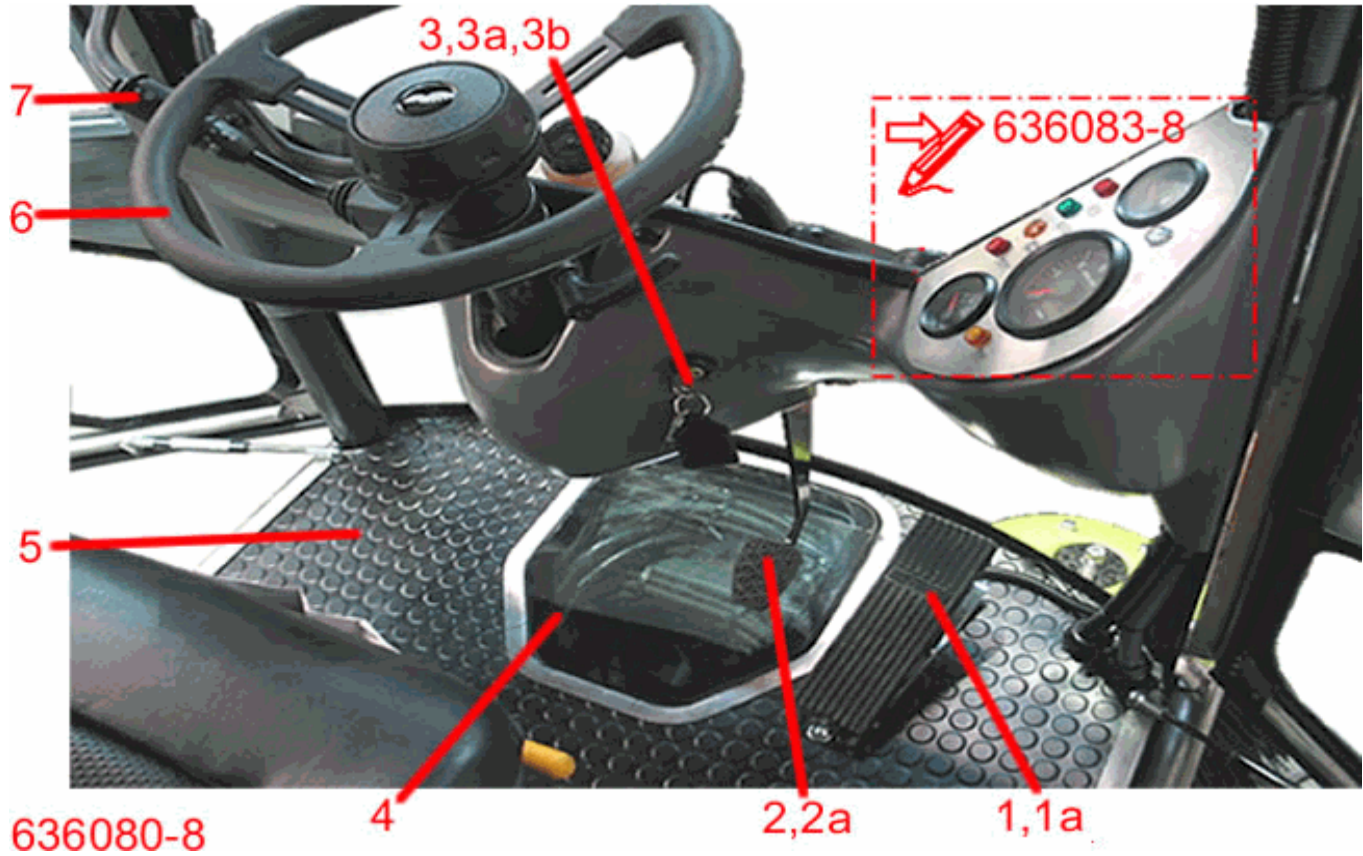
Model: **636HS Green Machine**
 From CIN: **1** To CIN: **999**
 Drawing: **636081-8** Rev:



1	ES248 - Radio/CD	1	6a	GM466 - Legend,Hopper Drain	1
1a	EC019 - Blanking Plug, radio not fitted	1	7	GM310 - Speaker Mesh	2
2	MC550 - Extended Roof Hatch	1	7a	ES250 - Speaker	2
3	MC272 - Hatch Stay, Double Hinge	1	8	MC480 - Sun Visor Cap	1
4	ES210 - Switch, Off/On Single Pole	1	9	MC479 - Sun Visor	1
4a	ES252 - Switch Surround	2	10	ES247 - Interior Light	1
4b	GM380 - Legend, Pressure Washer	1	10a	ES332 - Bulb - Interior Light	1
4c	ES271 - Switch Blanking Plate	1	11	ES272 - Power Socket	1
5	ES305 - IQAN Master Display English/French	1	12	EC020 - Monitor, 5	1
5a	ES312 - IQAN Master Display German language	1	12a	MC626 - Bracket, Mounting - Monitor	1
5b	ES313 - IQAN Master Display Spanish language	1			
5c	ES314 - IQAN Master Display Portuguese langu	1			
5d	ES315 - IQAN Master Display Italian language	1			
5e	ES316 - IQAN Master Display Swedish language	1			
5f	ES317 - IQAN Master Display Norwegian langua	1			
5g	ES318 - IQAN Master Display Dutch language	1			
6	ES252 - Switch Surround	2			

Cab-Controls

Model: **636HS Green Machine**
 From CIN: **1** To CIN: **999**
 Drawing: **636080-8** Rev:



1	ES284 - Accelerator Pedal	1
1a	ES348 - Potentiometer for Accelerator Pedal	1
2	MC050 - Brake Pedal	1
2a	BB121 - Brake Pedal Rubber	1
3	ES277 - Ignition Switch	1
3a	ES296 - Ignition key - Kubota	1
4	MC120 - Glass Floor Window	1
5	GM311 - Rubber Mat	1
6	FS015 - Steering Wheel	1
7	ES215 - Multifunction Column Switch	1

Cab-Doors

Model: **636HS Green Machine**
 From CIN: **1** To CIN: **999**
 Drawing: **636085-8** Rev:

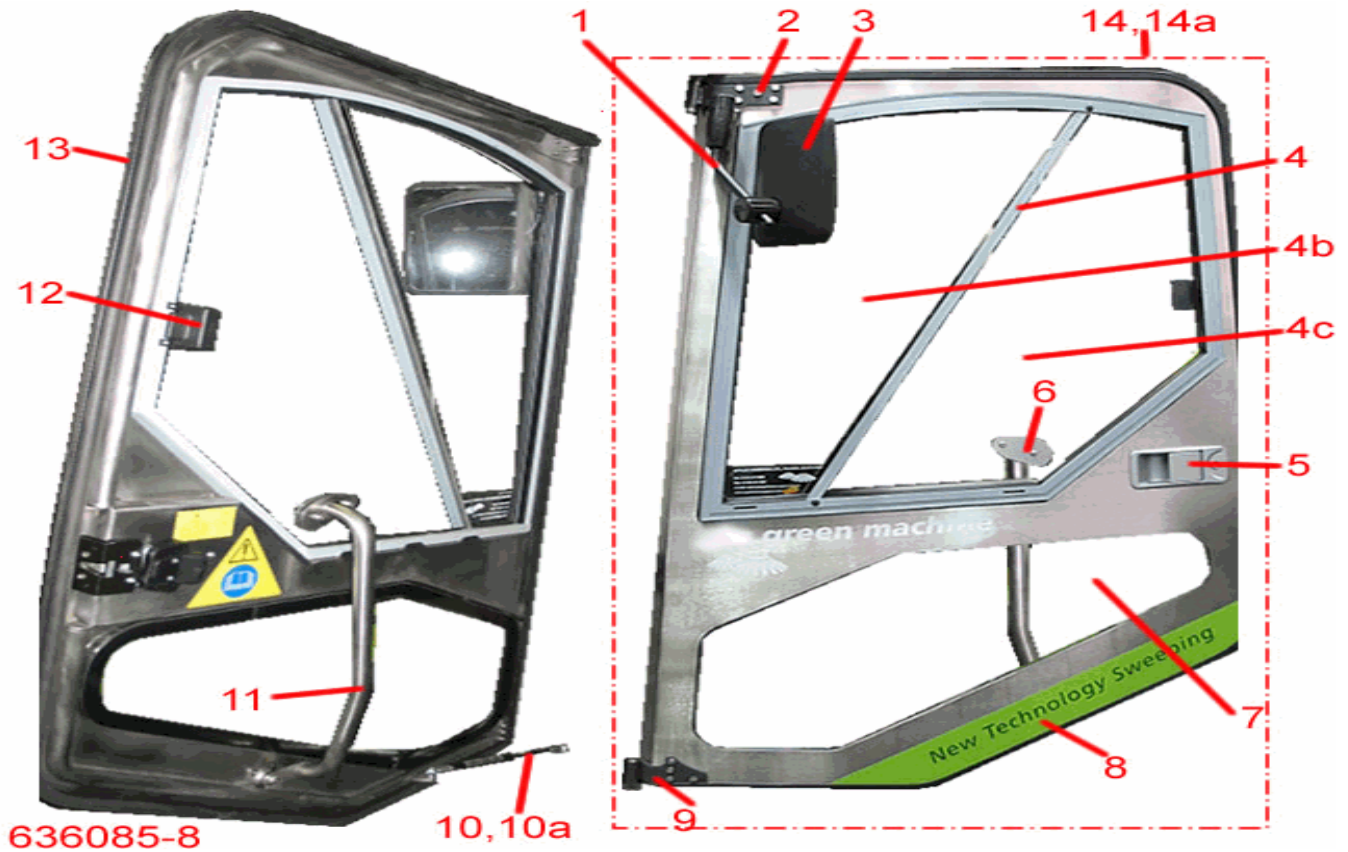


Photo Shows Left Hand Door Only

1	MC258 - Wing Mirror Arm	2	7	MC118 - Fixed Glass, Lower Door	2
2	MC150 - Hinge,Top - LH Door	1	8	GM298 - Decal, LH Door (Bottom)	1
2a	MC155 - Hinge, Top - RH Door	1	8a	GM297 - Decal, RH Door (Bottom)	1
2b	GB060 - Bush	8	9	MC163 - Hinge,Bottom,LH Door	1
3	MC364 - Wing Mirror, Unbreakable	2	9a	MC166 - Hinge,Bottom RH Door	1
4	MC121 - Window Cassette, LH	1	10	MC270 - Door Stay, Gas Strut Base Unit	2
4a	MC122 - Window Cassette, RH	1	10a	MC271 - Ball Joints, Door Stay	4
4b	MC370 - Window Cassette, Fixed Glass	2	11	MC249 - Pivot Arm,Window,LH	1
4c	MC355 - Window Glass - sliding	2	11a	MC250 - Pivot Arm,Window,RH	1
5	MC351 - Door Kit, Latch/Lock	2	12	MC553 - Window Catch	2
5a	MC392 - Replacement Door Key	1	13	MC384 - Door Seal, Rear	2
6	MC405 - Outer fixing plate - for handle	2	14	MC317 - Cab Door Assembly, LH	1
6a	GB110 - Sleeve, Inner - Window Fixing Pivot	4	14a	MC318 - Cab Door Assembly, RH	1
6b	GB109 - Isolator Bush, Outer - Window Fixing	4			
6c	GG280 - Gasket, Window Fixing Pivot	2			

Cab-Front

Model: **636HS Green Machine**
 From CIN: **1** To CIN: **999**
 Drawing: **636087-8** Rev:

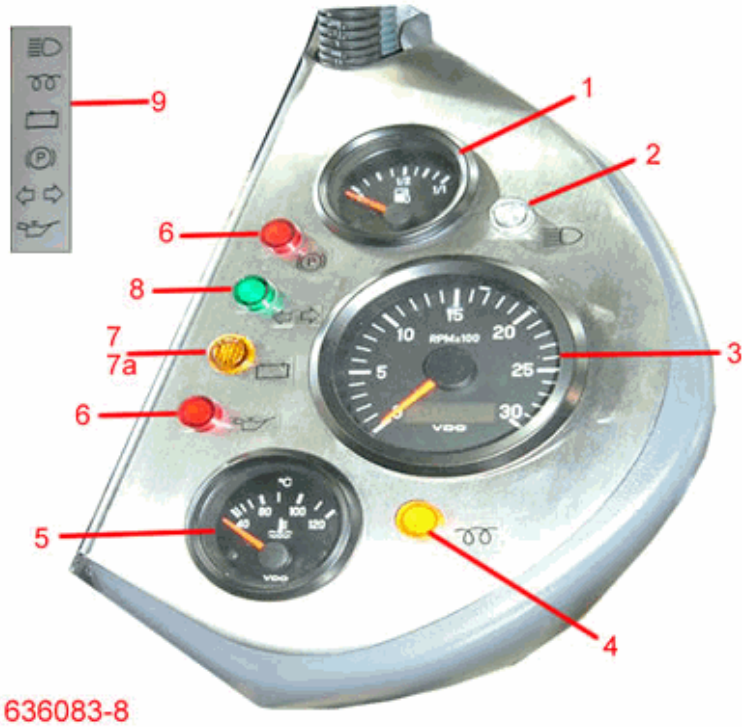


636087-8

1	ES186 - Rotating Beacon	1
1a	ES218 - Bulb for Rotating Beacon	1
1b	GM406 - Velcro, Beacon Lock Down	1
2	MC274 - Number Plate-Front	1
3	ES347 - Work Light	2
3a	ES298 - Bulb, Dipped Beam & Work Light	4
4	MC582 - Heated Windscreen	1
5	ES244 - Headlamp/Indicator/Side Light (RHD)	2
5a	ES245 - Headlamp/Indicator/Side Light (LHD)	2
5b	ES217 - Bulb, Main Beam & Work Light	2
5c	ES032 - Bulb 12V 21W	2
6	MC227 - Wiper Blade, 600mm Curved	1
7	MC226 - Wiper Arm, 450mm	1
8	EC007 - Wiper Motor	1

Cab-Instrument Panel

Model: **636HS Green Machine**
 From CIN: **1** To CIN: **999**
 Drawing: **636083-8** Rev:

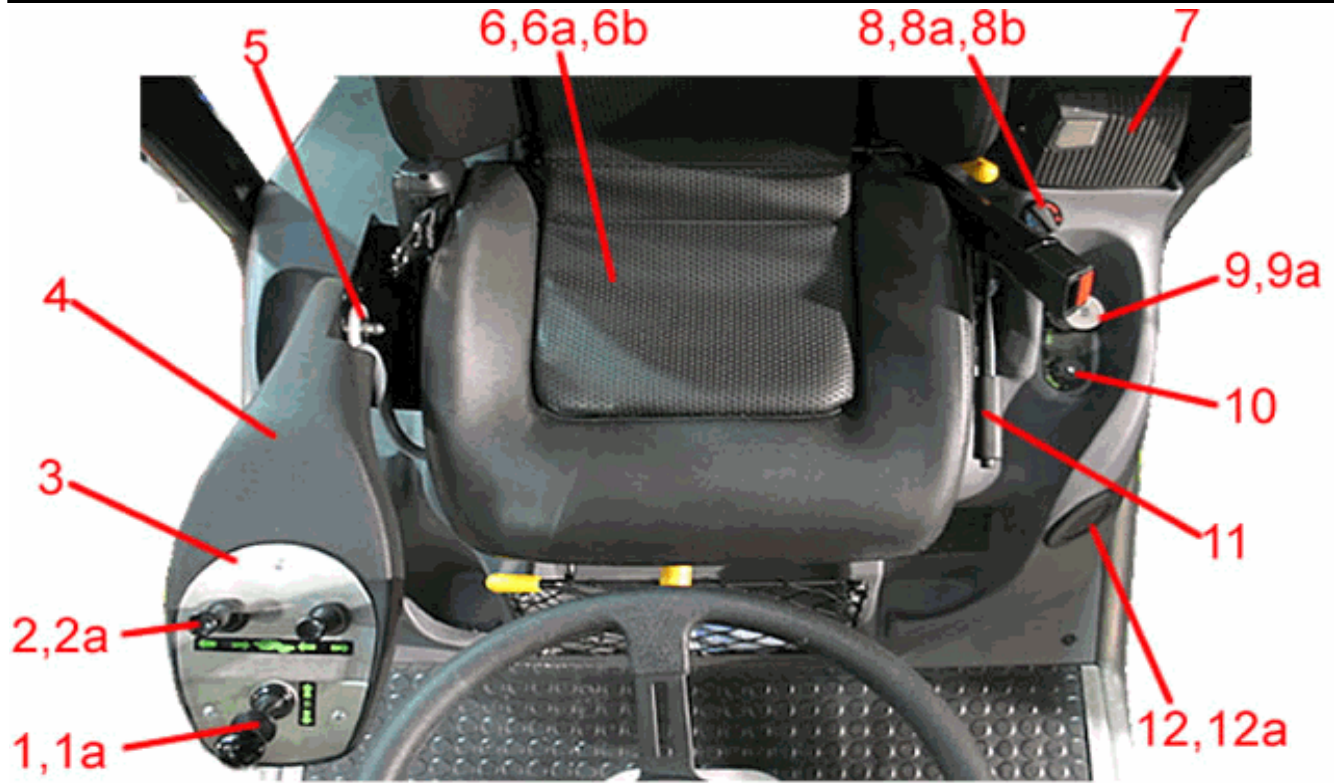


636083-8

1	EH018 - Fuel Gauge	1
2	ES209 - Main Beam Warning Light (Blue)	1
3	EH025 - Tachometer c/w Hour Counter	1
4	ES017 - Warning Light - Amber	1
5	EH015 - Temperature Gauge	1
6	ES018 - Warning Light - Red	2
7	ES130 - Warning Light, Amber	1
7a	ES134 - Bulb for Turn Signal Indicator (Panel	1
8	ES192 - Warning Light (Green)	1
9	GM312 - Labels,Instrument Panel	1

Cab-Seat /Armrest Controls

Model: **636HS Green Machine**
 From CIN: 1 To CIN: 999
 Drawing: **636084-8** Rev:

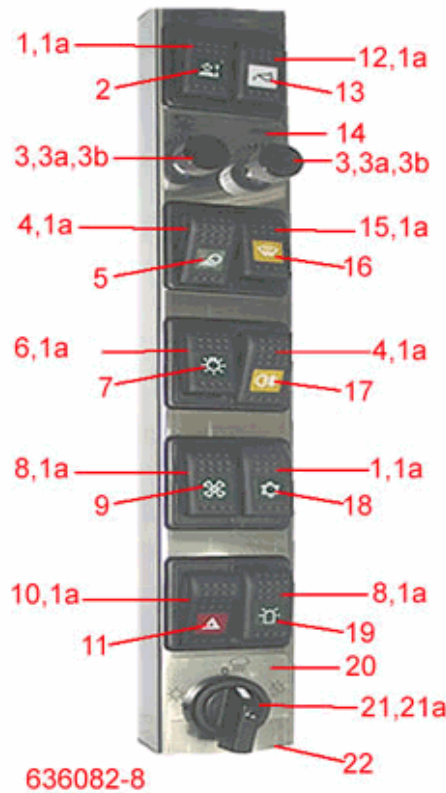


636084-8

1	ES355 - Switch, Joystick - Forward/Neutral/Re	1	10	WA121 - Needle Valve	1
1a	GM329 - Label-Forward,Neutral,Reverse	1	11	BB118 - Hand Brake Lever	1
2	ES286 - Brush Control Joystick	1	11a	ES275 - Microswitch,Handbrake	1
2a	GM330 - Label-Brush Control	1	12	MC222 - Heater Outlet Vent	1
3	MC378 - Facia Plate	1	12a	MC344 - Hot Air Duct, Left Hand 300mm lg	1
4	CP205 - Control Arm Moulding	1			
5	MC490 - Armrest Support Bracket	1			
6	MC519 - Cab Seat	1			
6a	MC225 - Lap Belt	1			
6b	MC501 - Cab Seat Wedge	1			
7	ES243 - XT2	1			
8	GG259 - Knob, Heater Control Valve	1			
8a	BB116 - Heater Control Cable	1			
8b	GM315 - Label-Temperature Increase	1			
8c	GM316 - Label-Temperature Decrease	1			
9	HV134 - Brush Pressure Valve	1			
9a	GM332 - Label-Water And Brush Pressure	1			

Cab-Switch Panel

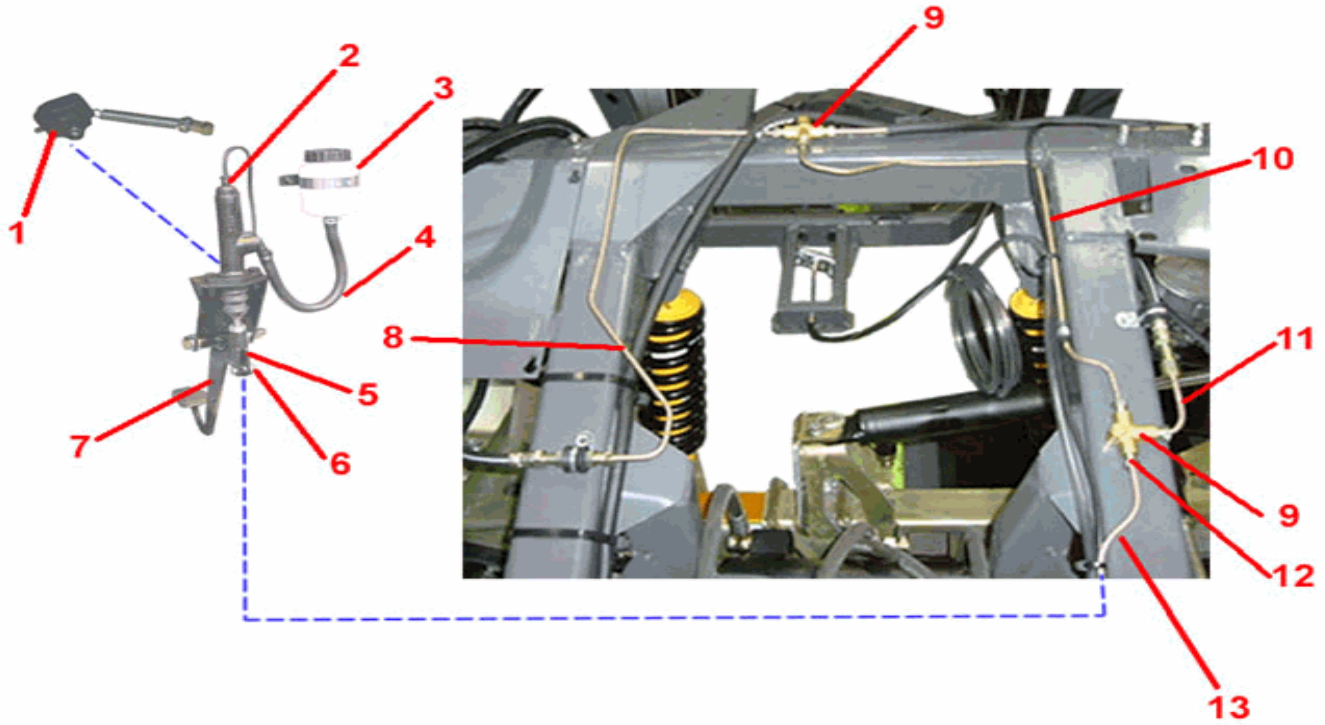
Model: **636HS Green Machine**
 From CIN: **1** To CIN: **999**
 Drawing: **636082-8** Rev:



1	ES232 - Switch, Off / On double pole, double	2	14	GM447 - Label,Fan and Brush Speed	1
1a	ES266 - Bulb & Holder	0	15	ES212 - Switch, Off/On (MOM)	1
2	GM257 - Legend, Sweep / Transit	1	16	GM251 - Legend, Windscreen Defrosting	1
3	ES351 - Potentiometer-Fan/Brush Speed	2	17	GM249 - Legend, Rear Fog Lamp	1
3a	ES352 - Knob,Fan/Brush Speed	2	18	GM381 - Legend, Air Conditioning	1
3b	ES354 - Cover (potentiometer)	2	19	GM250 - Legend, Rotating Beacon	1
3c	ES363 - Friction Sleeve, Speed Pots.	2	20	GM448 - Label,Cloudmaker	1
4	ES210 - Switch, Off/On Single Pole	2	21	ES359 - Switch,Cloudmaker	1
5	GM248 - Legend, Work Light	1	21a	ES360 - Switch,Rotary Cam	1
6	ES219 - Switch, Off/On/On Double Pole	1	22	MC629 - Switch Panel-Cab	1
7	GM247 - Legend, Main Light	1			
8	ES213 - Switch, Off/On/On	2			
9	GM253 - legend, Heater Fan	1			
10	ES221 - Hazard Flasher Switch	1			
11	GM252 - Legend, Warning Lamp	1			
12	ES214 - Switch, On/Off/On Double Pole	1			
13	GM254 - Legend, Hopper Lift	1			

Braking System - Footbrake & Cables

Model: **636HS Green Machine**
 From CIN: 1 To CIN: 999
 Drawing: **636041-8** Rev:

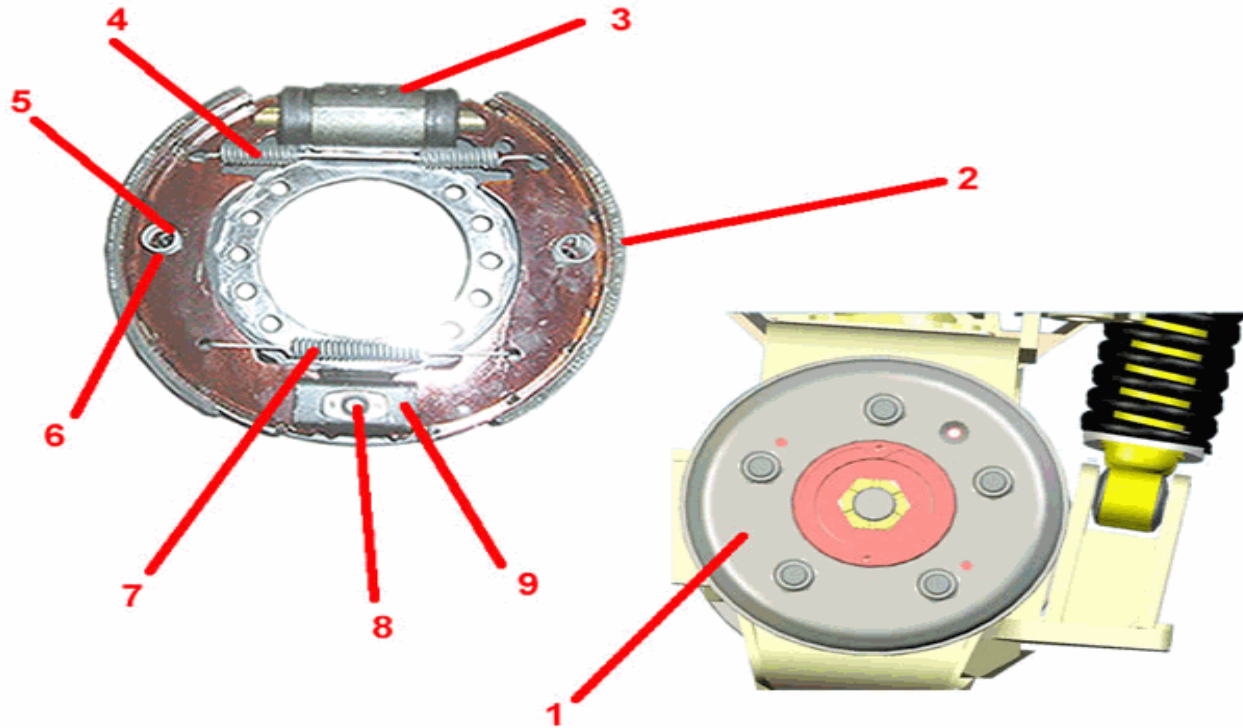


636041-8

1	ES230 - Brake Light Switch	1
2	BB148 - Master Cylinder - Footbrake - Front B	1
3	BB120 - Footbrake Reservoir	1
4	BB154 - Hose - Brake Reservoir to Master Cyli	1
5	MC062 - Clevis, Master Cylinder	1
6	MA200 - Clevis Pin	1
7	MC050 - Brake Pedal	1
8	BB187 - Brake Pipe, Front Right side - 636	1
9	BB140 - Brake Pipe T-Piece	2
10	BB188 - Brake Pipe, Centre to T-Piece Left si	1
11	BB189 - Brake Pipe, Cab to Front Left side -	1
12	BB139 - Brake Pipe Nut, Male	3
13	BB190 - Brake Pipe, T Piece to Cab - 636	1

Braking System - Front Brakes

Model: **636HS Green Machine**
 From CIN: **1** To CIN: **999**
 Drawing: **636039-8** Rev:

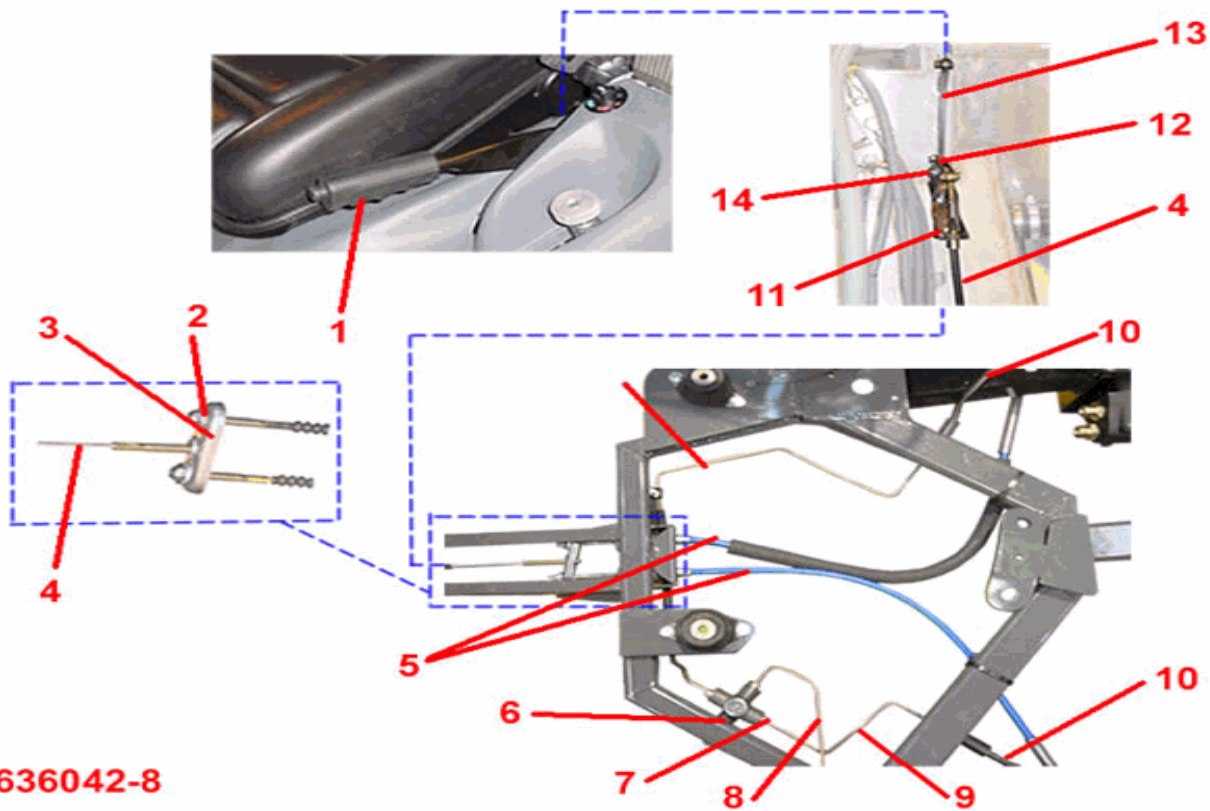


636039-8

1	FA174 - Brake Drum, Front - 636	2
2	BB177 - Brake Shoe Replacement Kit, Front	2
3	BB171 - Wheel Cylinder, Front Brake	1
4	BB179 - Tension Spring, Upper - Front Brake	1
5	BB173 - Shoe Steady Spring, Front Brake	2
6	BB176 - Spring Buckle, Front Brake	2
7	BB178 - Tension Spring, Lower - Front Brake	1
8	BB174 - Adjuster Bolt, Front Brake	1
9	BB175 - Adjuster Wedge, Front Brakes	1

Braking System - Handbrake & Cables

Model: **636HS Green Machine**
 From CIN: **1** To CIN: **999**
 Drawing: **636042-8** Rev:

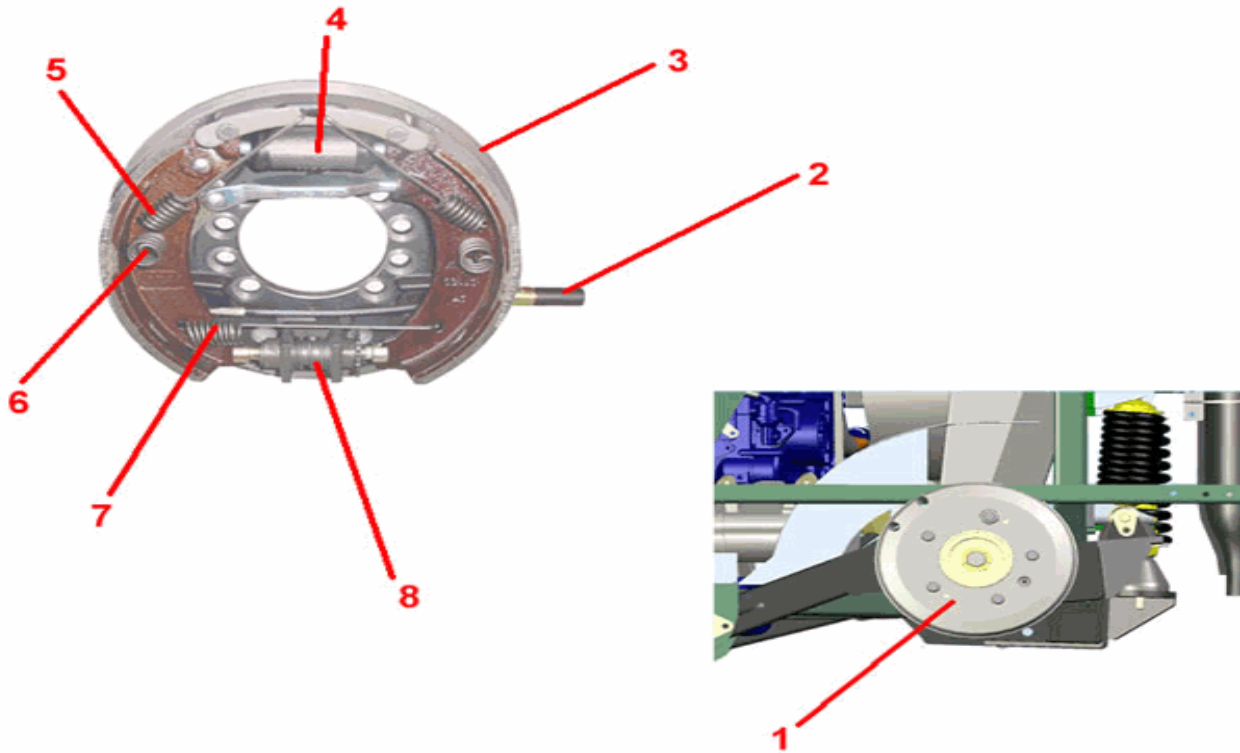


636042-8

1	BB118 - Hand Brake Lever	1
2	GW081 - Cup Washer	2
3	BB132 - Brake Cable Balance Bar	1
4	BB129 - Brake Cable, Front	1
5	BB182 - Brake Cable, Rear - 636	2
6	BB149 - Pressure Limiter - Front Brakes	1
7	BB138 - Brake Pipe Nut, Female	2
8	BB186 - Brake Pipe, Rear to Centre - 636	1
9	BB185 - Brake Pipe, Rear Left side - 636	1
10	CT039 - Flexible Hose	4
11	CC219 - Clevis Pin.	1
12	MC309 - Handbrake Bellcrank Weldment	1
13	MC312 - Tie Rod, machined, Handbrake Bellcran	1
13	MC312 - Tie Rod, machined, Handbrake Bellcran	1
14	MC298 - Handbrake Pivot Bracket Weldment	1

Braking System - Rear Brakes

Model: **636HS Green Machine**
 From CIN: **1** To CIN: **999**
 Drawing: **636040-8** Rev:

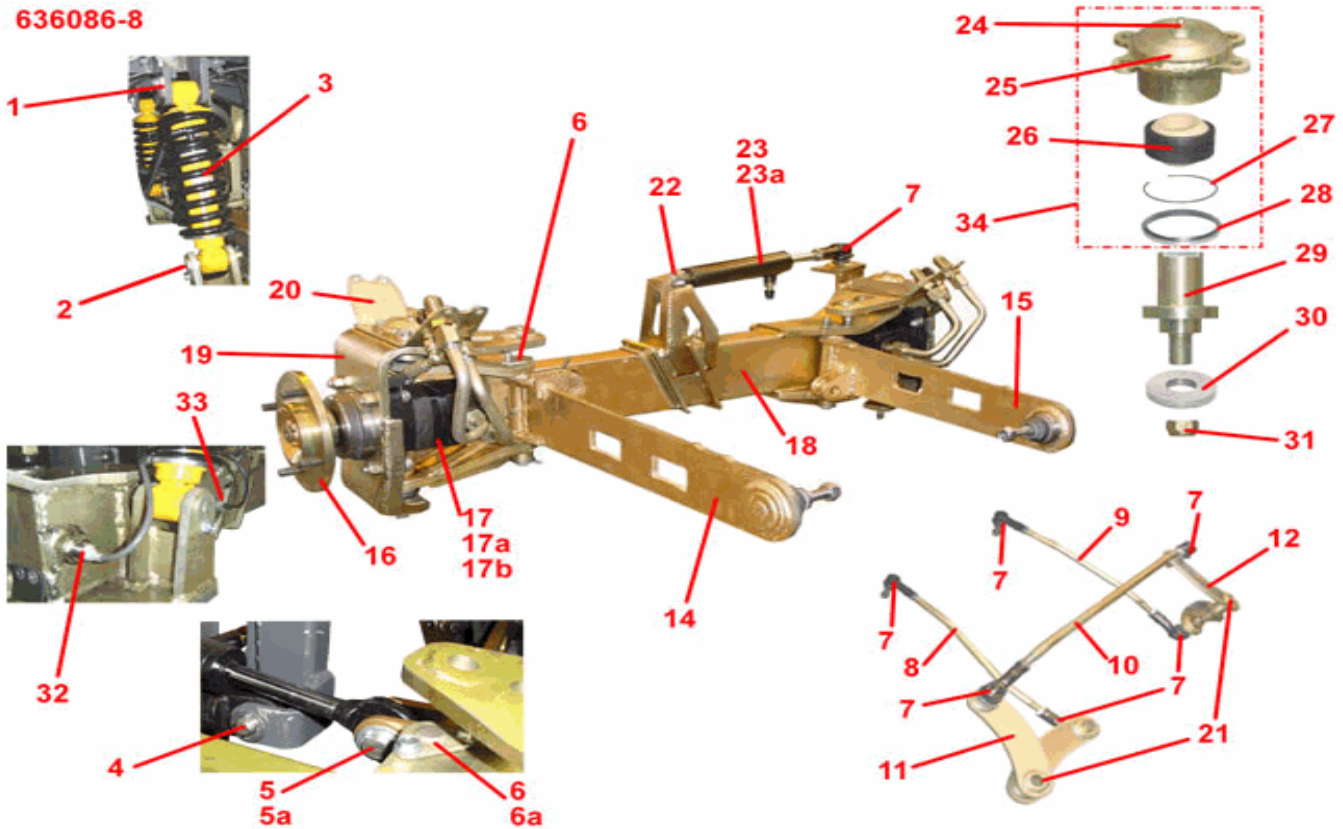


636040-8

1	CT056 - Rear Brake Drum - 636	2
2	BB125 - Brake Cable Adaptor	2
3	BB126 - Brake Shoe Replacement Kit	1
4	BB133 - Wheel Cylinder	2
5	BB135 - Brake, Upper Tension Spring	4
6	BB134 - Brake Shoe Steady Spring	4
7	BB136 - Lower Tension Spring	2
8	BB127 - Manual Adjuster	2

Front Axle & Steering Linkage

Model: **636HS Green Machine**
 From CIN: 1 To CIN: 999
 Drawing: **636086-8** Rev:

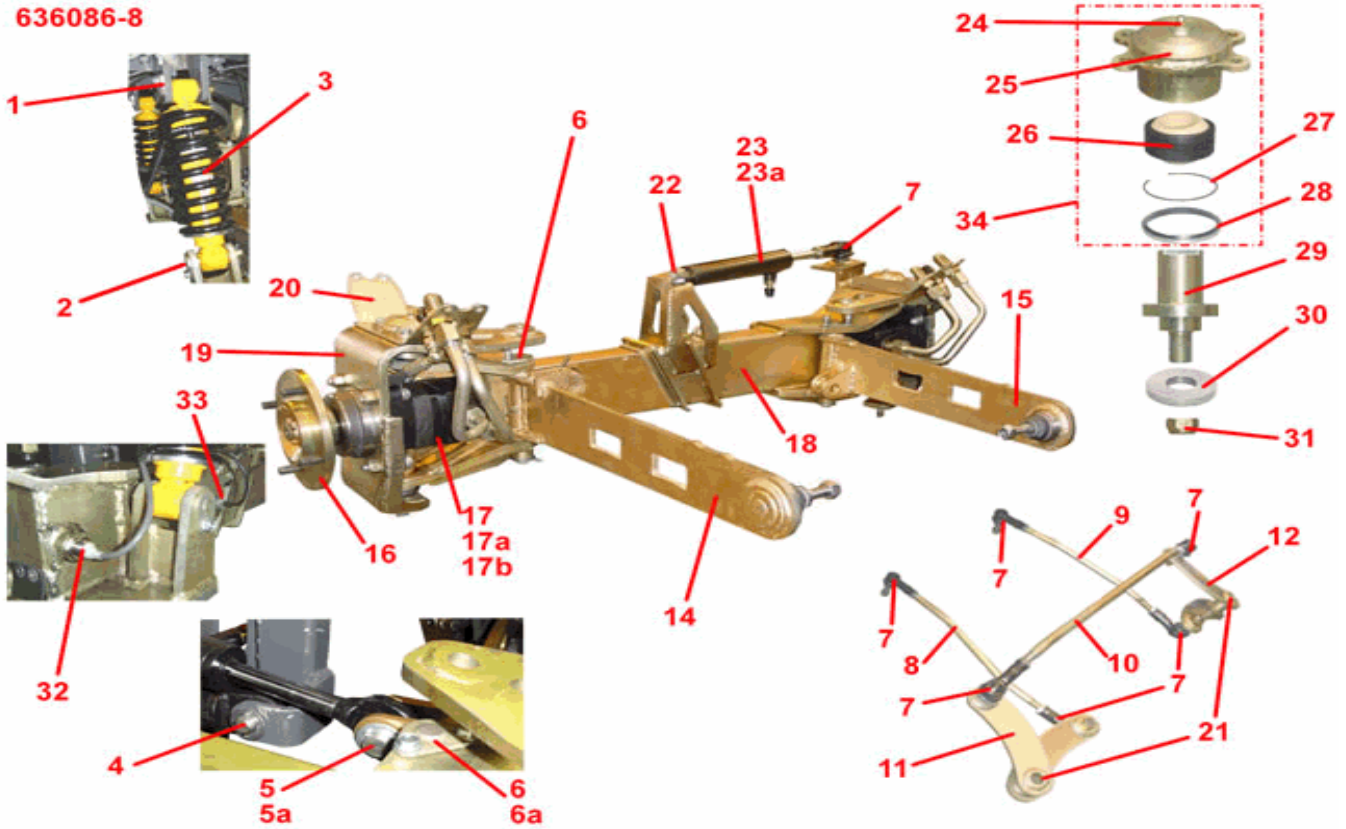


1	CT025 - Pivot Pin	2	17	HM035 - Wheel Motor, 100cc	2
2	FA130 - Pivot Pin, Front Shock Absorber Lower	2	17a	HM031 - Key, Wheel Motor	2
3	CT053 - Shock Absorber Assembly (Yellow Sprin	2	17b	HM033 - Seal Kit, Wheel Motor	1
4	FA127 - Pivot Pin, Tracking Cylinder Anchor	2	18	FA151 - Axle Assy c/w lower ball joints	1
5	FA123 - Pivot Pin, Tracking Cylinder	2	19	FA155 - Hub Carrier, LH	1
5a	FA129 - Spacer for Tracking Cylinder	2	19a	FA156 - Hub Carrier, RH	1
6	FA085 - Pivot Pin, Trailing Arm	2	20	FA117 - Bulkhead, RH Transmission	1
6a	GB091 - Bushes for Brush Arms	8	21	FA089 - Pivot Pin, Bell Crank	2
7	GG229 - Ball Joint, Track Rod/Drag Link End	7	22	FA069 - Pivot Pin, Steering Cylinder	1
8	FS016 - Drag Link Assy. R.H. inc ball joint	1	23	HC137 - Hydraulic Cylinder - Steering	1
9	FS007 - Drag Link Assy. L.H. inc ball joint	1	23a	HC139 - Seal Kit, Steering Cylinder	1
10	FS010 - Track Rod Assembly	1	24	GG039 - Grease nipple	2
11	FS001 - Bell Crank Steering Lever R.H. assy	1	25	FA064 - Bearing Housing, Top King Pin	2
12	FS005 - Bell Crank Steering Lever L.H. assy	1	26	GG244 - Spherical Bearing, 30 i/d x 55	2
14	FA072 - Trailing Arm Assy R.H inc ball joint	1	27	GM260 - Snap Ring, Internal 55mm bore	2
15	FA082 - Trailing Arm Assy L.H. inc ball joint	1	28	HC163 - Scraper 56 o/d x 50 i/d x 7mm	2
16	FA175 - Wheel Hub Assembly, Front c/w Studs -	2	29	FA093 - Pivot Pin, Top Kingpin	2

Front Axle & Steering Linkage

Model: **636HS Green Machine**
 From CIN: 1 To CIN: 999
 Drawing: **636086-8** Rev:

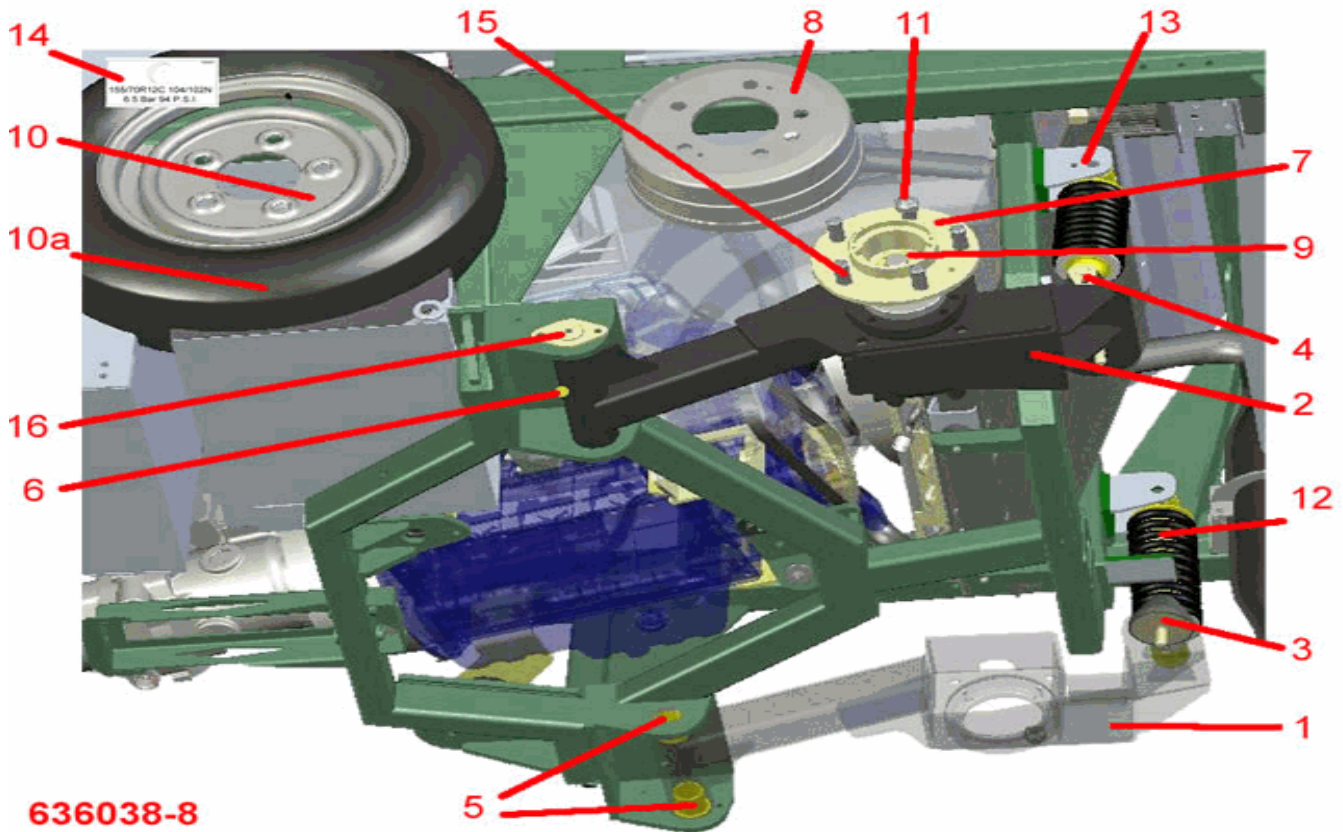
636086-8



30	FA134 - Washer, Top Kingpin	2
31	GN091 - Nut, Stover - M16 x 1.5P	2
32	ES280 - Tracking Sensor, IN	1
33	ES281 - Tracking Sensor, OUT	1
34	FA176 - Bearing Housing Assembly, Top King Pi	2

Rear Trailing Arms

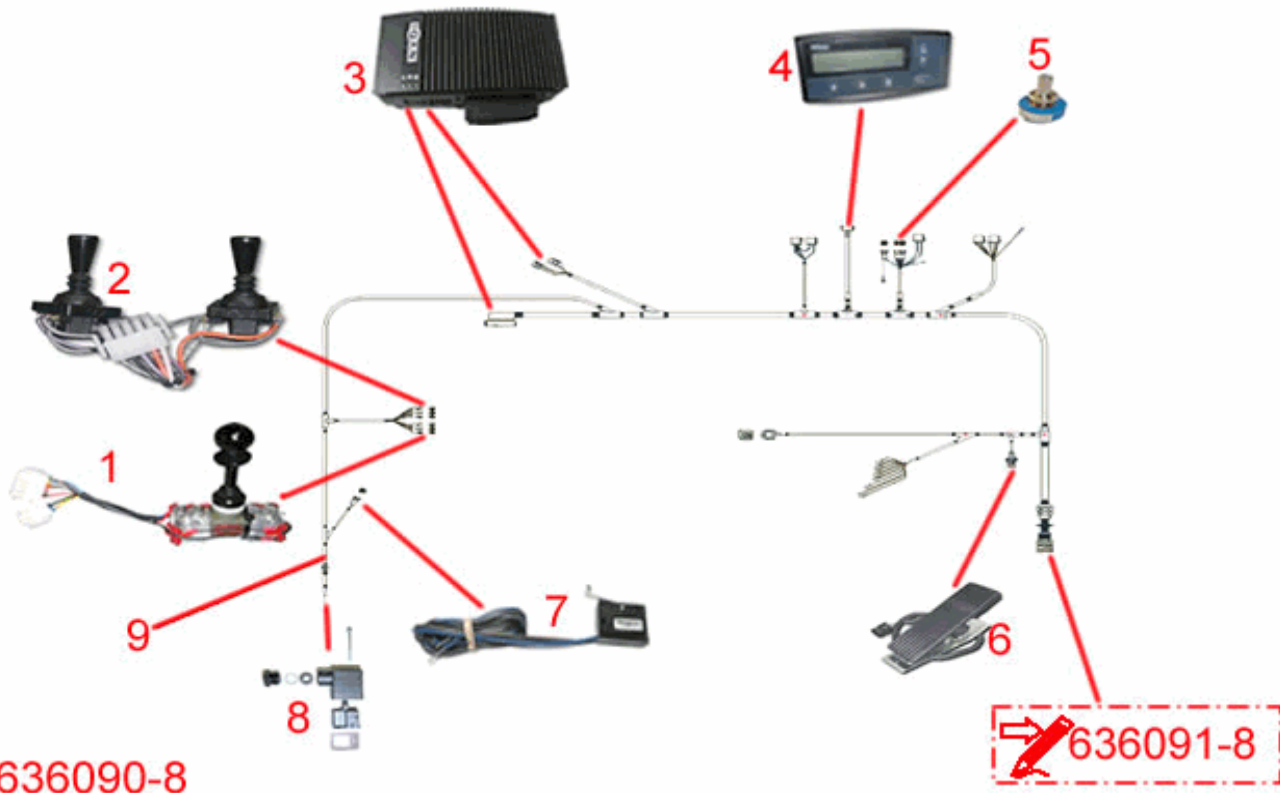
Model: **636HS Green Machine**
 From CIN: **1** To CIN: **999**
 Drawing: **636038-8** Rev:



1	CT002 - Rear Axle R.H.	1	16	CT021 - Pivot Pin, Rear Axle	2
2	CT019 - Rear Axle L.H.	1			
3	GG234 - Conical Stop 72mm o/d x 58mm	2			
4	FA130 - Pivot Pin, Front Shock Absorber Lower	2			
5	GB089 - Bush, 30 i/d x 34 o/d x 37 lg	4			
6	GG039 - Grease nipple	2			
7	CT057 - Rear Wheel Hub c/w Studs - 636	2			
8	CT056 - Rear Brake Drum - 636	2			
9	HM032 - Nut, Rear Wheel Drive Motors	2			
10	TW055 - Wheel & Tyre Assembly - 636	4			
10a	TW058 - TW058 - Tyre Only - 636	1			
10b	TW057 - Wheel Hub - 636	1			
11	GN090 - Wheel Nut, M16 x 1.5p - 636	10			
12	CT053 - Shock Absorber Assembly (Yellow Spring)	4			
13	CT025 - Pivot Pin	2			
14	GM451 - Tyre Pressure Label - 636	4			
15	GT392 - Wheel Stud, M16 x 1.5 x 45 - 636	10			

Electrical System-Cab Electronic Management

Model: **636HS Green Machine**
 From CIN: **1** To CIN: **999**
 Drawing: **636090-8** Rev:

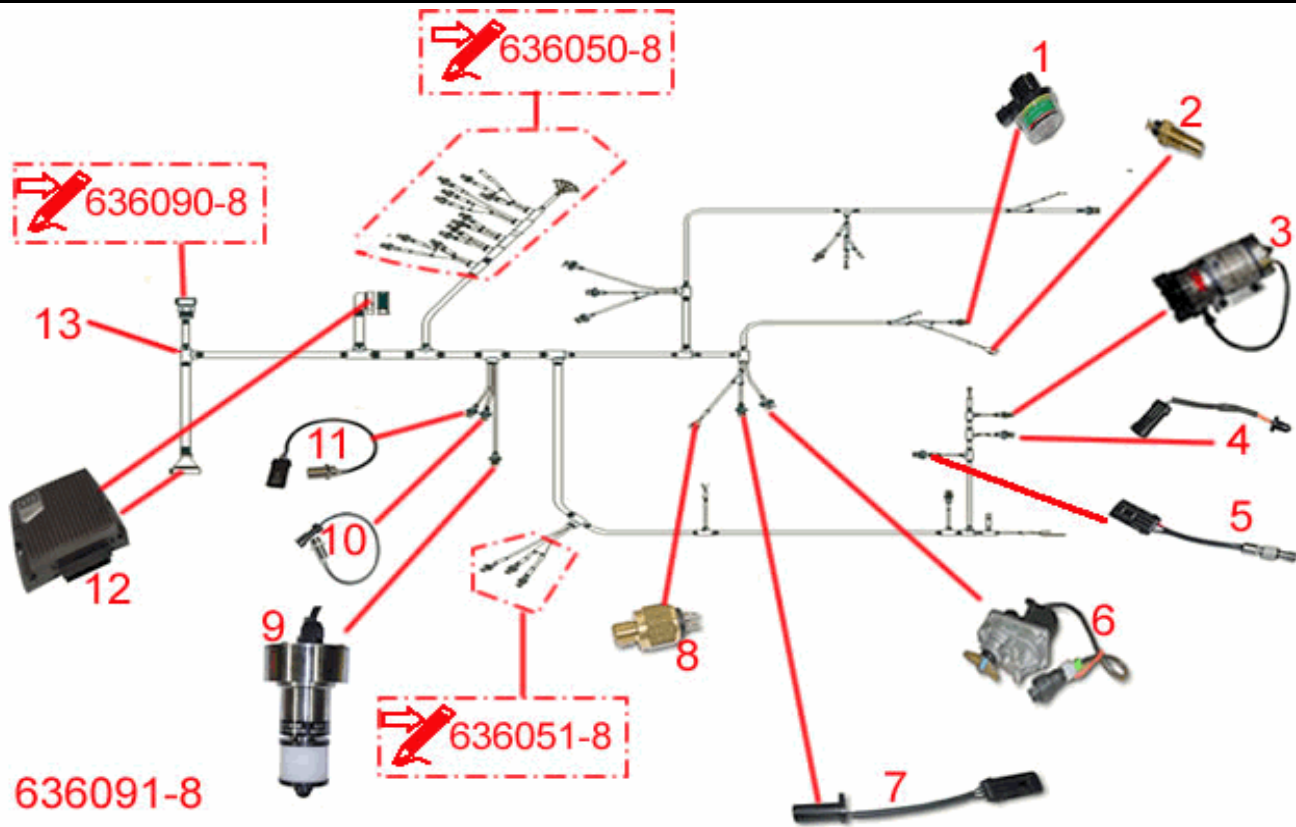


636090-8

1	ES355 - Switch, Joystick - Forward/Neutral/Re	1
2	ES286 - Brush Control Joystick	1
3	ES329 - IQAN XS Unit,Input-Output	1
4	ES305 - IQAN Master Display English/French	1
4a	ES312 - IQAN Master Display German language	1
4b	ES313 - IQAN Master Display Spanish language	1
4c	ES314 - IQAN Master Display Portuguese langu	1
4d	ES315 - IQAN Master Display Italian language	1
4e	ES316 - IQAN Master Display Swedish language	1
4f	ES317 - IQAN Master Display Norwegian langua	1
4g	ES318 - IQAN Master Display Dutch language	1
5	ES351 - Potentiometer-Fan/Brush Speed	2
6	ES284 - Accelerator Pedal	1
7	ES275 - Microswitch,Handbrake	1
8	WP216 - Plug - Solenoid Valve	1
9	EW213 - Wiring Loom-MMU Cab 636	1

Electrical System-Chassis Electronic Management

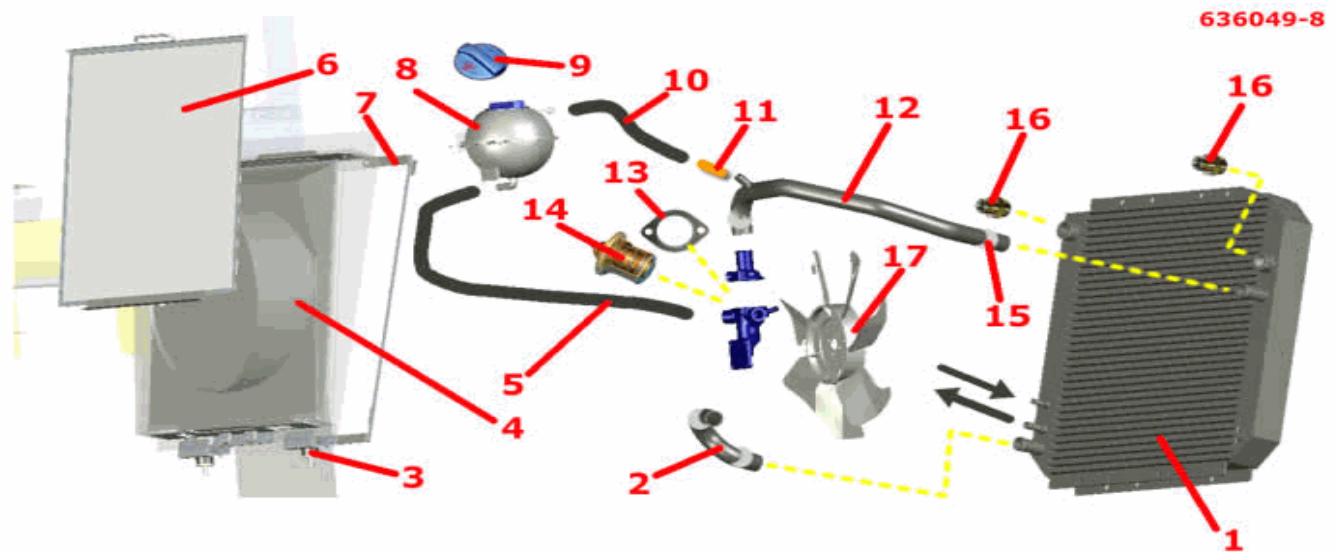
Model: **636HS Green Machine**
 From CIN: 1 To CIN: 999
 Drawing: **636091-8** Rev:



1	ES295 - Air Filter Minder	1
2	EH016 - Temperature Sender	1
3	WP169 - Water Pump c/w Connector	1
4	ES289 - Water Level Sensor c/w plug	1
5	ES285 - Speed Sensor, Wheel Motor with plug	1
6	ES282 - E-Gas Actuator c/w connections	1
7	ES279 - Vacuum Fan/Eng. Speed Sensor c/w plu	1
8	ES253 - Temperature Switch - Hydraulic Oil	1
9	WA269 - Atomising Spray Assembly with plug	1
10	ES280 - Tracking Sensor, IN	1
11	ES281 - Tracking Sensor, OUT	1
12	ES243 - XT2	2
13	EW212 - Wiring Loom-MMU Chassis 636	1

Engine - Cooling System

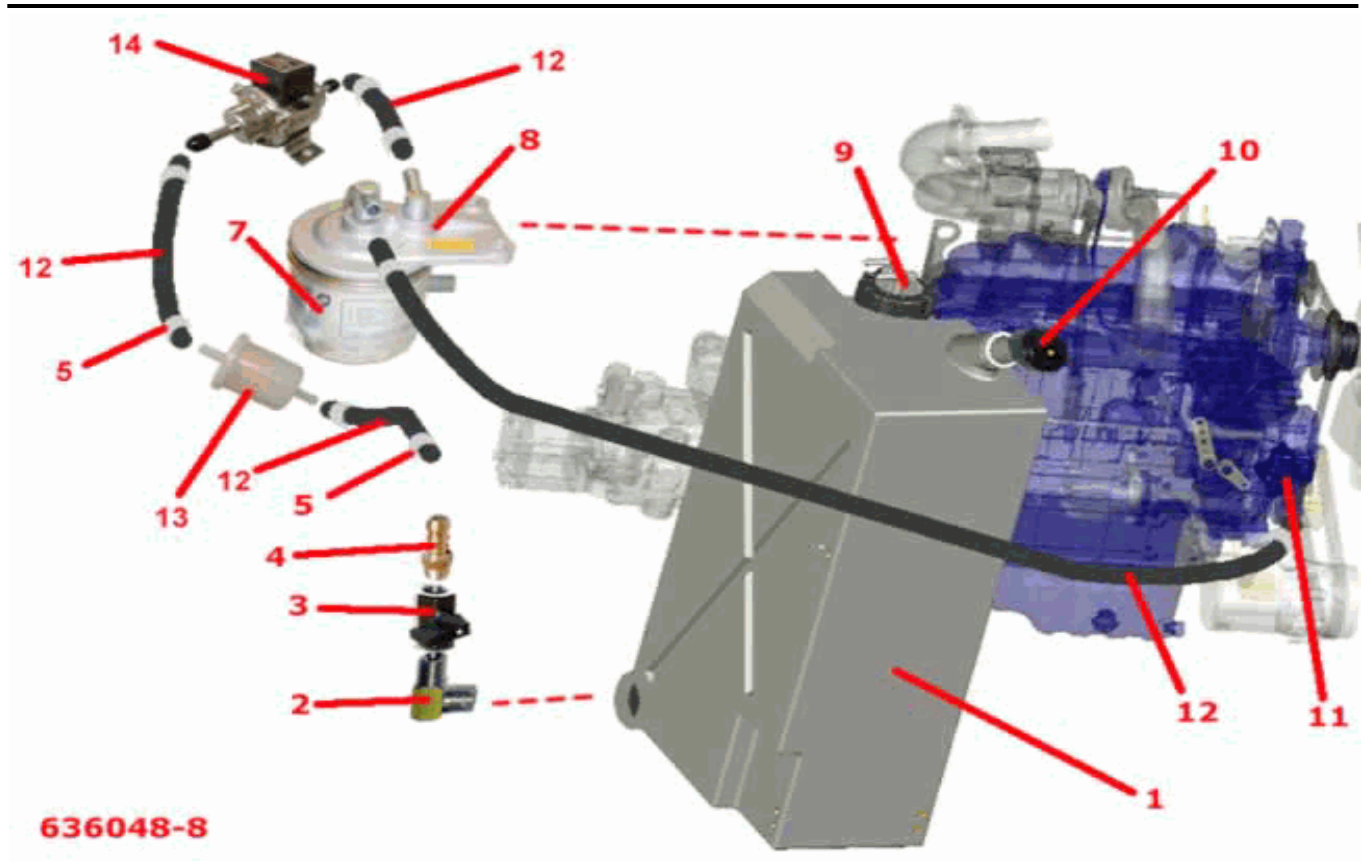
Model: **636HS Green Machine**
 From CIN: 1 To CIN: 999
 Drawing: **636049-8** Rev:



1	PC173 - Radiator - Emmegi - 636	1
2	PC179 - Hose - Bottom Radiator - Emmegi 636	1
3	PC176 - Bracket - radiator mounting	2
4	PC174 - Radiator shroud - for Emmegi - 636	1
5	PC241 - Hose, Filler - Cooling System	1
6	PC239 - Screen, Radiator	1
7	PC175 - Stay, Radiator	1
8	PC086 - Header Tank	1
9	PC087 - Header Tank Pressure Relief Cap	1
10	PC242 - Hose, Bleed - Cooling System	1
11	PC240 - Pipe, Top Hose - Header Tank	1
12	PC178 - Hose - Top Radiator - Emmegi 636	1
13	PP182 - Gasket, Thermostat	1
14	PD058 - Thermostat	1
16	HF039 - Adaptor, 3/4 to 3/4	2
16a	HF015 - Hydraulic Bonded Seal - 3/4 BSP (26mm)	2
17	PP121 - Fan, Pusher - Multiwing - 8 Blade - 3	1

Engine - Fuel Tank & Filter

Model: **636HS Green Machine**
 From CIN: 1 To CIN: 999
 Drawing: **636048-8** Rev:

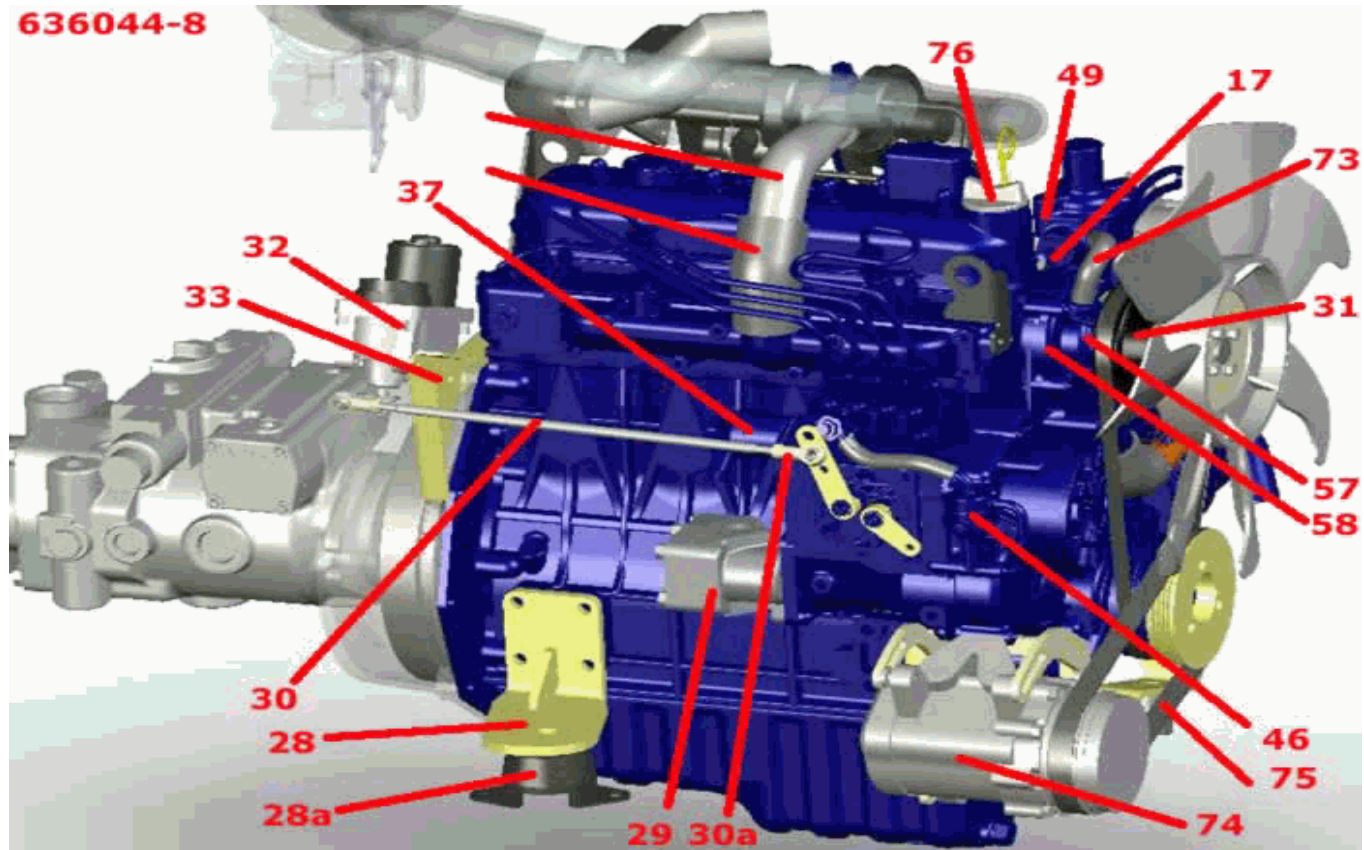


636048-8

1	PG080 - Diesel Tank	1
2	HF158 - Connector - 1/4	1
3	WP131 - Valve, on/off	1
4	WP036 - Hose Tail - 1/4 BSP -3/8 Hose	1
5	GG045 - Hose Clamp (16mm)	8
7	PP082 - Fuel Filter Element	1
8	PP085 - Fuel Filter Assembly	1
9	PG069 - Fuel Level Sensor	1
10	PG090 - PG090 - Diesel Filler Cap,Locking	1
10a	PG068 - Filler Cap - Diesel (stainless tank)	1
12	PG030 - Fuel Pipe	4
13	PP313 - Inline Fuel Filter	1
14	PP298 - Fuel Pump, Electronic	1

Engine - Left Side

Model: **636HS Green Machine**
 From CIN: 1 To CIN: 999
 Drawing: **636044-8** Rev:

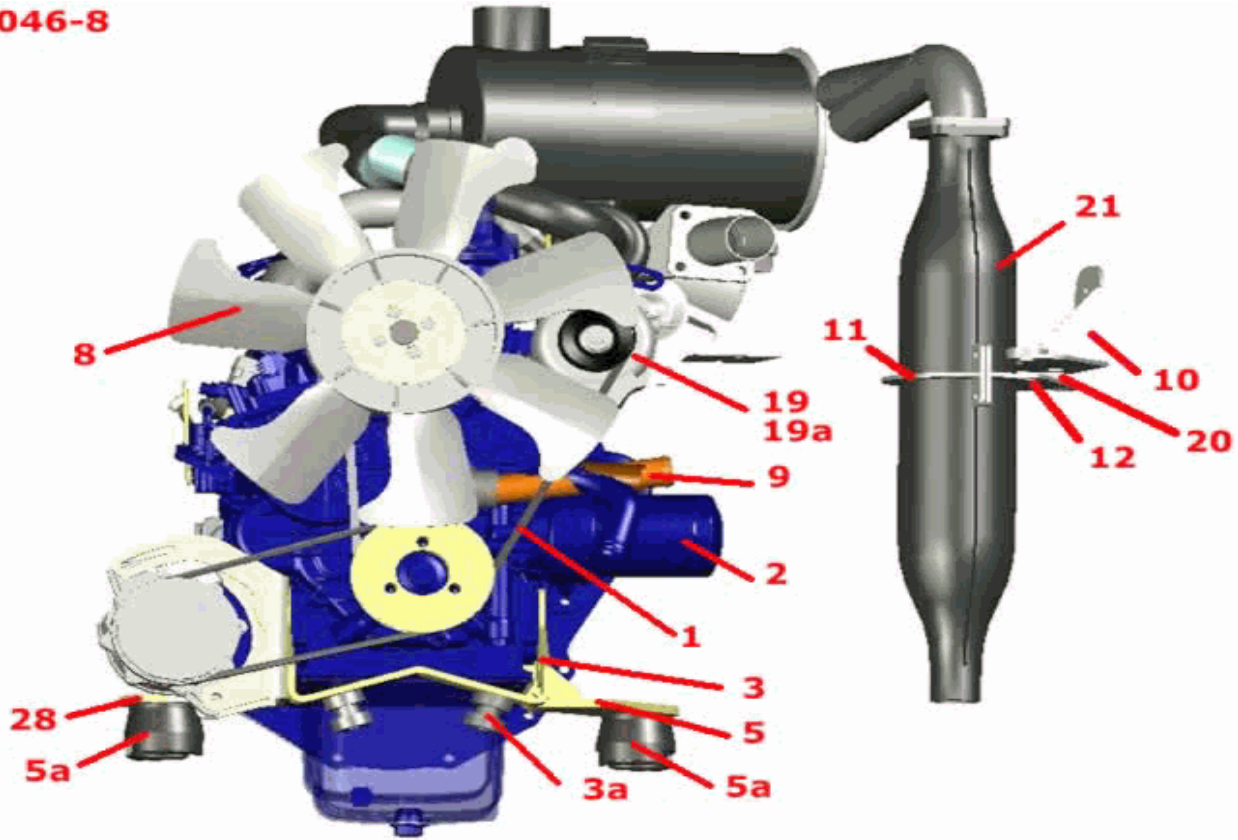


17	EH016 - Temperature Sender	1	74a	AC072 - Compressor Bracket, Air Conditioning	1
27	HP030 - Transmission Pump c/w Connector	1	75	AC086 - Belt, Compressor - Micro-V - Air Cond	1
28	PP035 - Mounting Bracket LH, Engine	1	76	PD039 - Oil Filler Cap	1
28a	GG230 - Rubber Anti-Vibration Mount, Engine	2			
29	HP021 - Hydraulic Pump, Steering	1			
30	CD268 - Link Rod Assembly, E-gas Actuator - 6	1			
30a	BB007 - Rose Bearing	2			
31	PP088 - Pulley Fan	1			
32	ES282 - E-Gas Actuator c/w connections	1			
33	CB793 - Bracket, Support, E Gas Actuator	1			
37	PP115 - Fuel Stop Solenoid	1			
46	PP179 - Fuel Lift Pump, Mechanical	1			
49	PP182 - Gasket, Thermostat	1			
57	PP215 - Water Pump Assembly	1			
58	PP216 - Gasket, Engine Water Pump	1			
73	PP245 - Pipe, Water - Water Pump	1			
74	AC058 - Compressor, Air Conditioning	1			

Engine - Rear

Model: **636HS Green Machine**
 From CIN: 1 To CIN: 999
 Drawing: **636046-8** Rev:

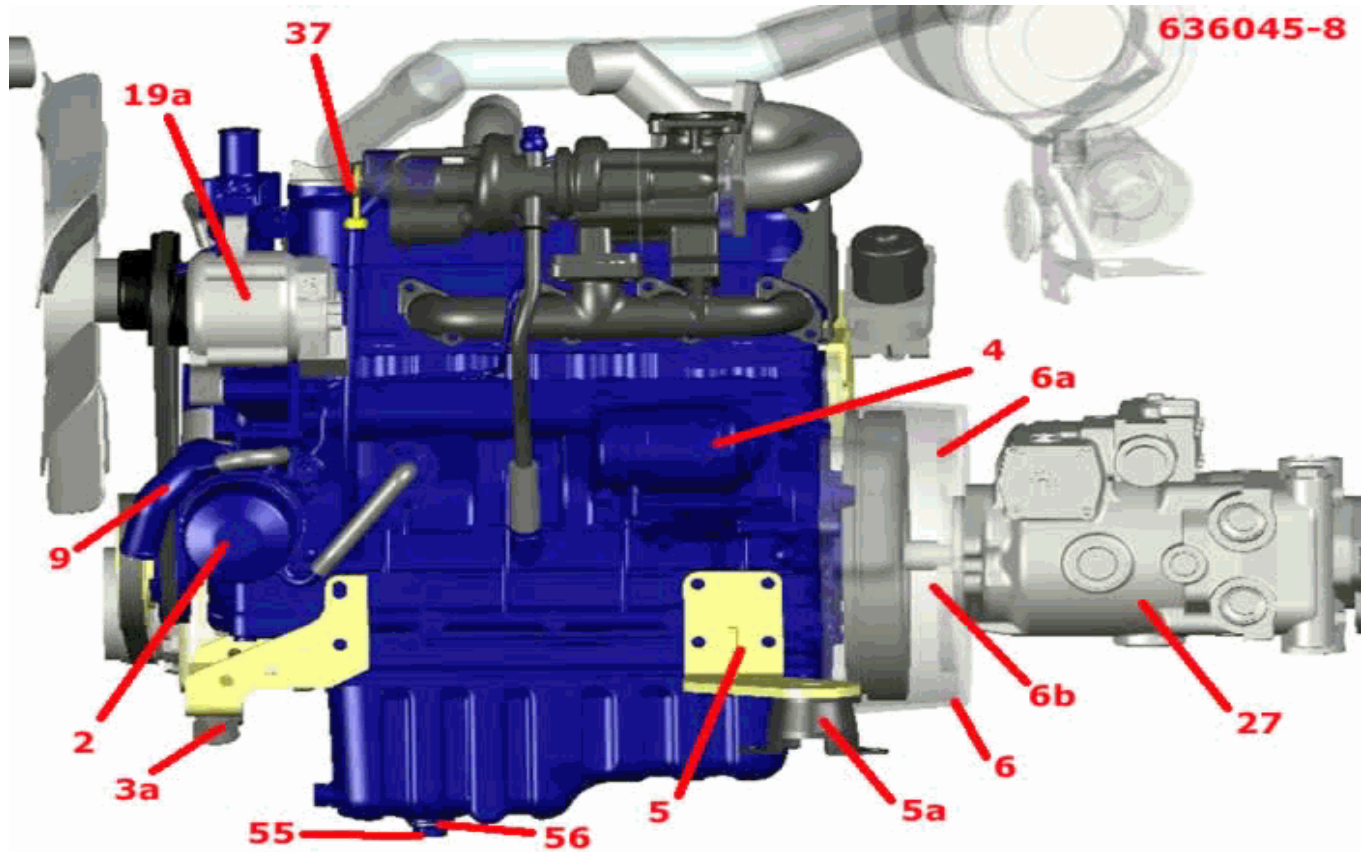
636046-8



1	PP096 - Fan Belt	1	28	PP035 - Mounting Bracket LH, Engine	1
2	PP083 - Oil Filter Element	1	29	PP353 - Flexi-Pipe, Exhaust	1
3	PP193 - Rear Mounting Bracket	1			
3a	GG231 - Rubber Anti-Vibration Mount, 2 Piece	2			
5	PP034 - Mounting Bracket RH, Engine	1			
5a	GG230 - Rubber Anti-Vibration Mount, Engine	2			
8	PP347 - Fan, Pusher - Multiwing - 8 Blade - 3	1			
8a	PP277 - Spacer, Cooling Fan	1			
9	PP093 - Water Pipe	1			
10	PP206 - Bracket	1			
11	PP207 - Bracket	1			
12	PP208 - Bracket	1			
19	PP133 - 60 Amp Alternator	1			
19a	PP159 - 90 Amp Alternator	1			
19b	PP163 - Connector Kit for PP159	1			
20	GG231 - Rubber Anti-Vibration Mount, 2 Piece	1			
21	PP095 - Muffler Exhaust	1			

Engine - Right Side

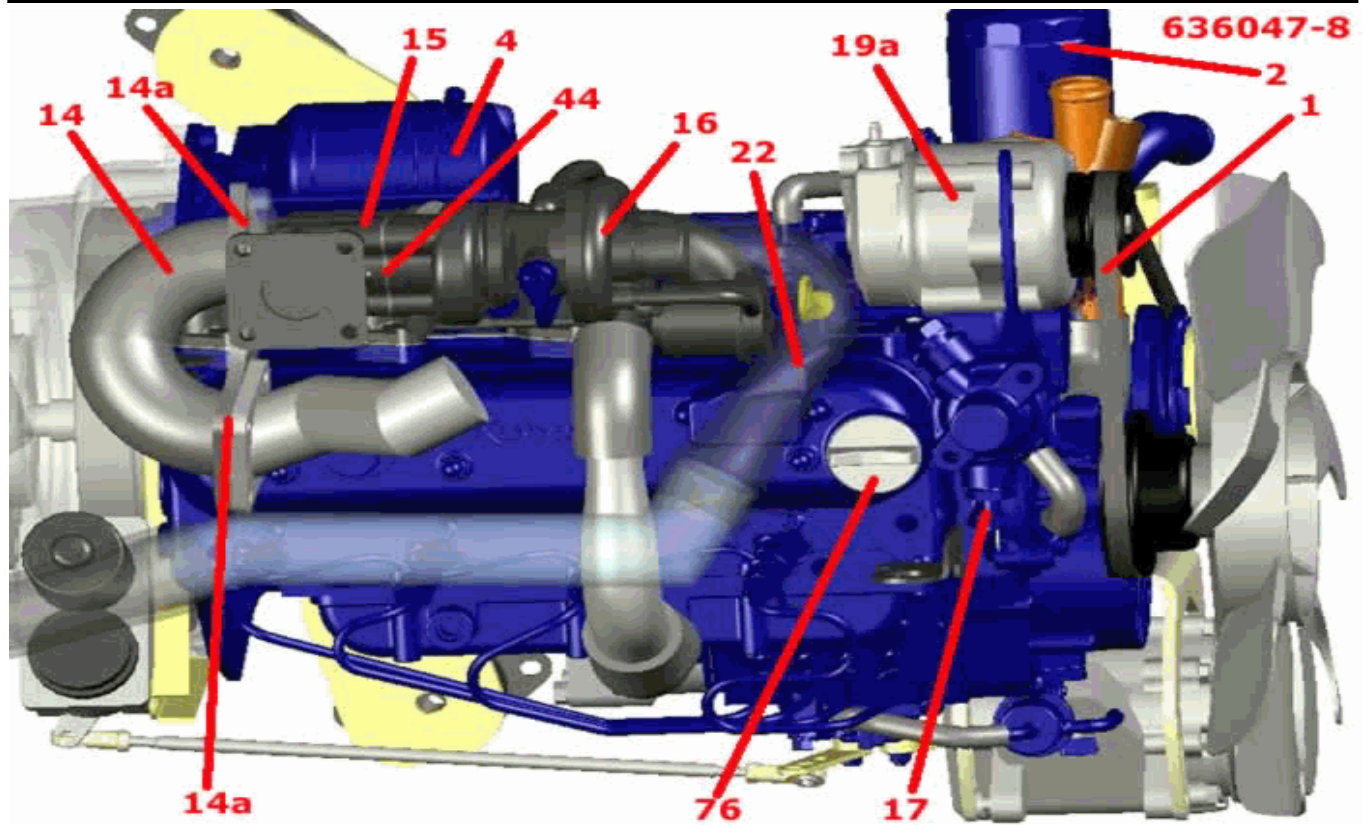
Model: **636HS Green Machine**
 From CIN: 1 To CIN: 999
 Drawing: **636045-8** Rev:



2	PP083 - Oil Filter Element	1
3a	GG231 - Rubber Anti-Vibration Mount, 2 Piece	2
4	PP097 - Starter Assembly	1
5	PP034 - Mounting Bracket RH, Engine	1
5a	GG230 - Rubber Anti-Vibration Mount, Engine	2
6	PP004 - Engine Housing	1
6a	PP274 - Drive Coupling, Bobbin Type	1
9	PP093 - Water Pipe	1
19	PP133 - 60 Amp Alternator	1
19a	PP159 - 90 Amp Alternator	1
19b	PP163 - Connector Kit for PP159	1
27	HP030 - Transmission Pump c/w Connector	1
27a	GM410 - Solenoid Protector Kit	1
37	PP350 - Dipstick Kit	1
55	PP213 - Plug, Drain - Sump	1
56	PP214 - Gasket, Drain Plug	1

Engine - Top View

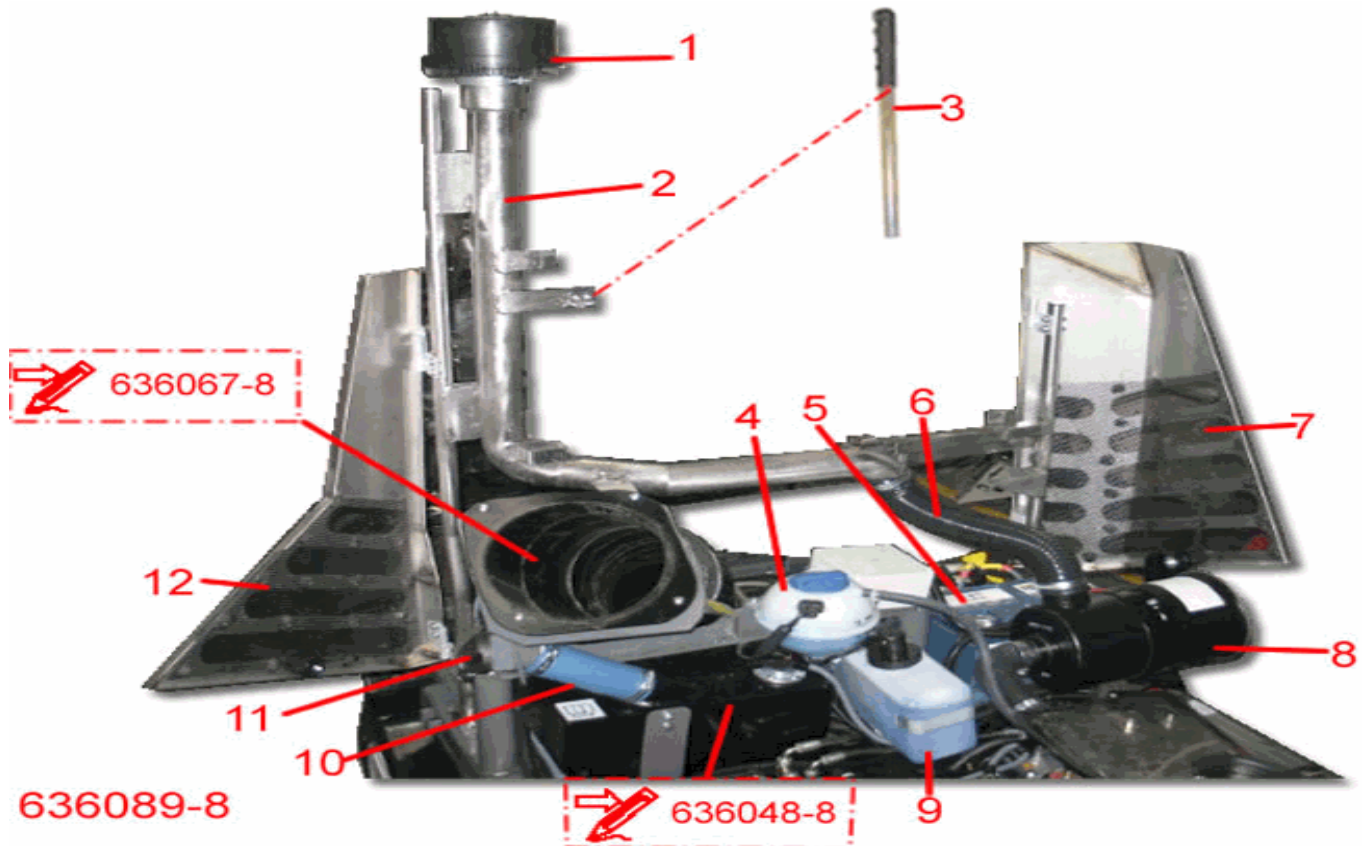
Model: **636HS Green Machine**
 From CIN: 1 To CIN: 999
 Drawing: **636047-8** Rev:



1	PP096 - Fan Belt	1
2	PP083 - Oil Filter Element	1
4	PP097 - Starter Assembly	1
14	PP326 - Exhaust Manifold Weldment - 636	1
14a	PP089 - Muffler Gasket	2
15	PP087 - Flange, Turbo	1
16	PP098 - Turbocharger Assembly	1
17	EH016 - Temperature Sender	1
19	PP133 - 60 Amp Alternator	1
19a	PP159 - 90 Amp Alternator	1
19b	PP163 - Connector Kit for PP159	1
22	PP104 - Hose, Pipe to Turbo	1
44	PP169 - Gasket, Turbo to Muffler Flange	1
76	PD039 - Oil Filler Cap	1

Engine Bay -Ancillary Components

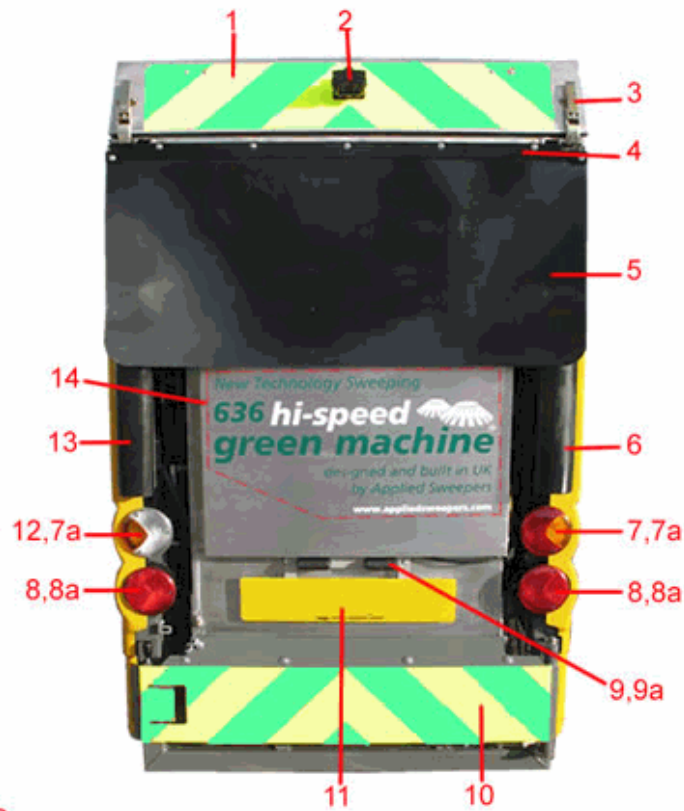
Model: **636HS Green Machine**
 From CIN: 1 To CIN: 999
 Drawing: **636089-8** Rev:



1	PP246 - PP246 - Air Filter,Cyclone	1
2	PP325 - PP325 - Air Intake Tube and Support F	1
3	BB142 - Hand Pump Lever Assembly	1
4	PC086 - Header Tank	1
4a	PC087 - Header Tank Pressure Relief Cap	1
5	EM011 - Battery	1
6	PC113 - Air Cleaner Intake Hose	1
7	CD087 - CD087 - Access Door,Right Hand,Hinged	1
8	PP101 - Air Cleaner	1
8a	PP084 - Air Filter Element	1
8b	PP102 - Air Cleaner Band	1
8c	PP103 - Hose. Air Cleaner to Pipe	2
8d	PP040 - Air Cleaner Pipe	1
9	WA105 - Water Bottle c/w Pump (windscreen was	1
10	PG098 - PG098 - Filler Hose,Diesel Tank	1
11	PG090 - PG090 - Diesel Filler Cap,Locking	1
12	CD088 - CD088 - Access Door,Left Hand,Hinged	1

Rear - Decals & Ancillaries

Model: **636HS Green Machine**
 From CIN: **1** To CIN: **999**
 Drawing: **636098-8** Rev:



636098-8

1	GM395 - Decal, Chevron - Hopper	1
2	EC021 - Rear View Camera, Low Light	1
3	GG156 - Adjustable Latch	2
4	VH163 - Rubber Aprons Retaining Plates	1
5	VH164 - Rubber Apron	1
6	GM463 - GM463 - Bumper,Rear Right Hand	1
7	ES255 - Indicator / Fog Lamp	1
7a	ES032 - Bulb 12V 21W	4
8	ES254 - Rear / Brake Lamp	2
8a	ES276 - Bulb for ES254	2
9	ES062 - Light - number plate	2
9a	ES053 - Bulb - festoon type - 12V 5W	2
10	GM394 - Decal, Chevron - Bumper	1
11	WA136 - Number Plate Fixing Bracket	1
12	ES256 - Indicator / Reverse Lamp	1
13	GM294 - GM294 - Bumper,Rear Left Hand	1
14	GM440 - GM440 - Decal,Rear Panel	1

Recommended Stockholding - Smaller Fleets 636HS

Model: **636HS Green Machine**
 From CIN: **1** To CIN: **999**
 Drawing: **636100-8** Rev:

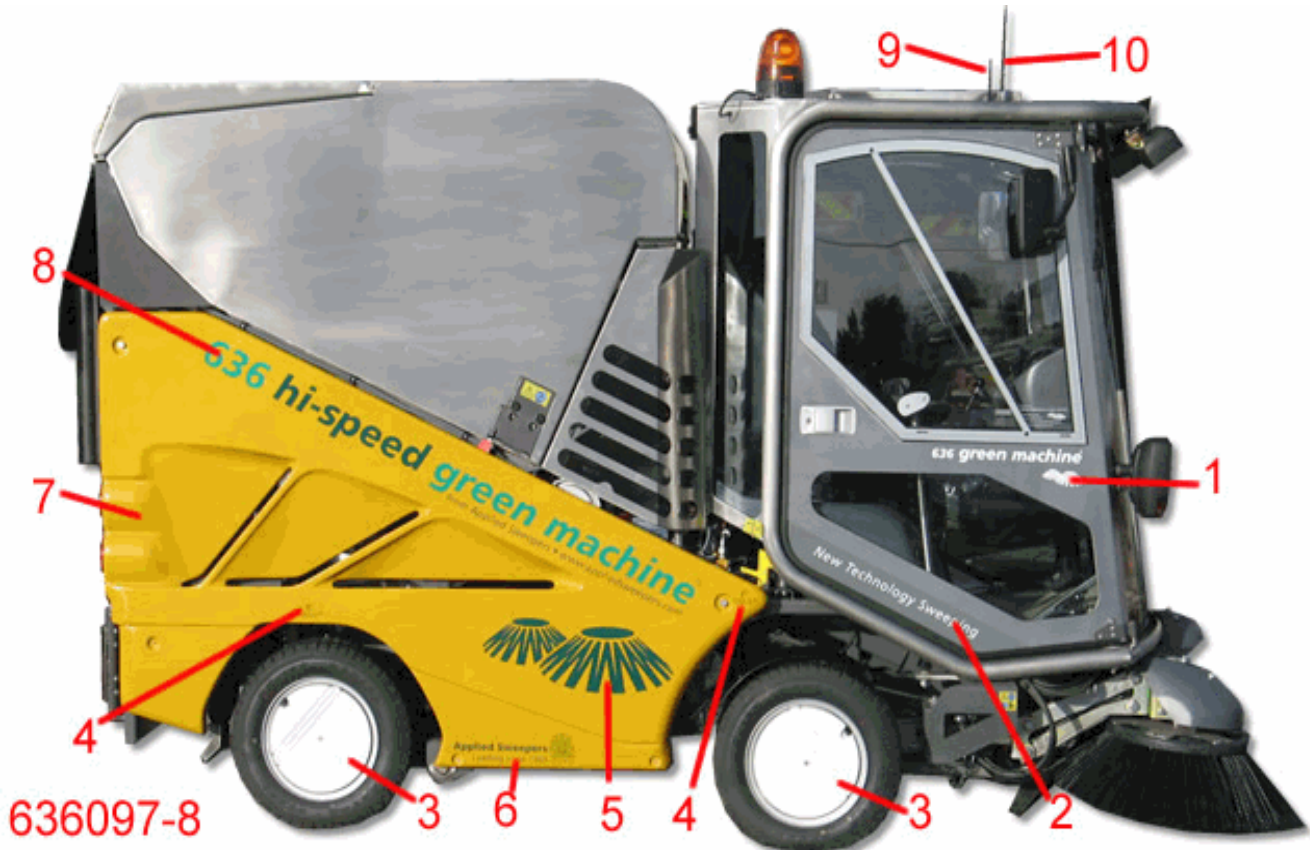


This list shows the faster moving parts that we recommend owners of smaller fleets (1 or 2 machines) should keep in stock.

1	GG287 - Fan Inspection Door Key	1	16	WP020 - Filter with anti-drip valve	2
2	ES276 - Bulb for ES254	2	17	WP060 - Spray Jet - Green	1
3	CD154 - Seal,Drain Flap	1	18	WP160 - Jet Spray	2
4	HC058 - Filter Element	1	19	WP165 - Spray Nozzle Holder Assy (Brushes)	2
5	HC154 - Filter Element, Suction & Return	1	20	WP221 - Spray Jet - Red	1
6	NA138 - Horseshoe Wear Pad	1			
7	NB058 - Brush - Poly - 500/600 Series	8			
8	NB059 - Brush - P.E.T. - 500/600 Series	2			
9	NB061 - Brush - Poly/wire mix - 500/600 Serie	4			
10	NN112 - Side Skid Shoe	4			
11	PP082 - Fuel Filter Element	6			
12	PP083 - Oil Filter Element	6			
13	PP084 - Air Filter Element	2			
14	VH373 - Cyclone Spinner Bearing Kit	1			
15	WA206 - Bobbin - for spray head atomiser	1			

Side - Decals & Ancillaries

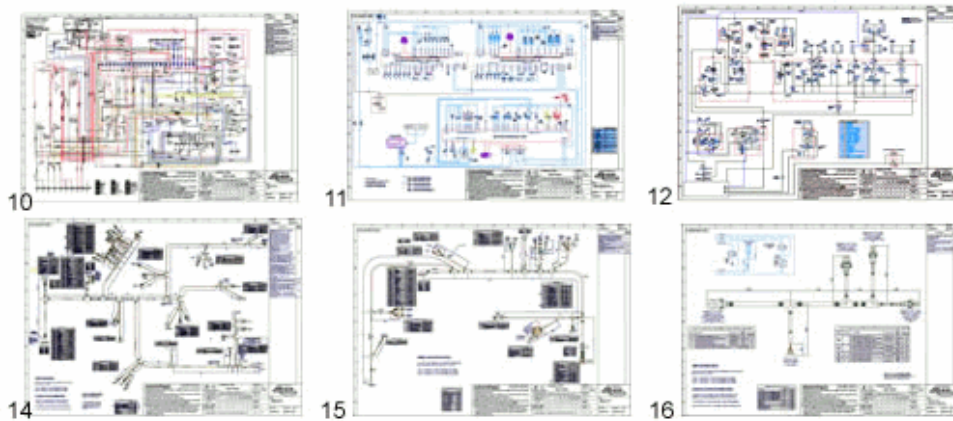
Model: **636HS Green Machine**
 From CIN: **1** To CIN: **999**
 Drawing: **636097-8** Rev:



1	GM441 - GM441 - Decal,Middle Right Hand Door	1
1a	GM442 - GM442 - Decal,Middle Left Hand Door	1
2	GM297 - Decal, RH Door (Bottom)	1
2a	GM298 - Decal, LH Door (Bottom)	1
3	TW056 - TW056 - Wheel Trim - 636	4
3a	CB946 - Wheel Trim Bracket	4
4	GM451 - Tyre Pressure Label - 636	4
5	GM438 - GM438 - Decal,Side Panel,Brush Motif	2
6	GM306 - Decal, RH Side Panel (bottom)	1
6a	GM301 - Decal, LH Side Panel (bottom)	1
7	CP233 - CP233 - Side Panel,Right Hand with De	1
7a	CP232 - CP232 - Side Panel,Left Hand with Dec	1
8	GM437 - GM437 - Decal,Side Panel,UK	2
9	ES269 - Antenna Base	1
9a	ES268 - Whip Antenna	1
10	EC014 - Aerial, Flexible Rubber	1

Special Tools and Schematic Drawings - 636HS

Model: **636HS Green Machine**
From CIN: **1** To CIN: **999**
Drawing: **636099-8** Rev:



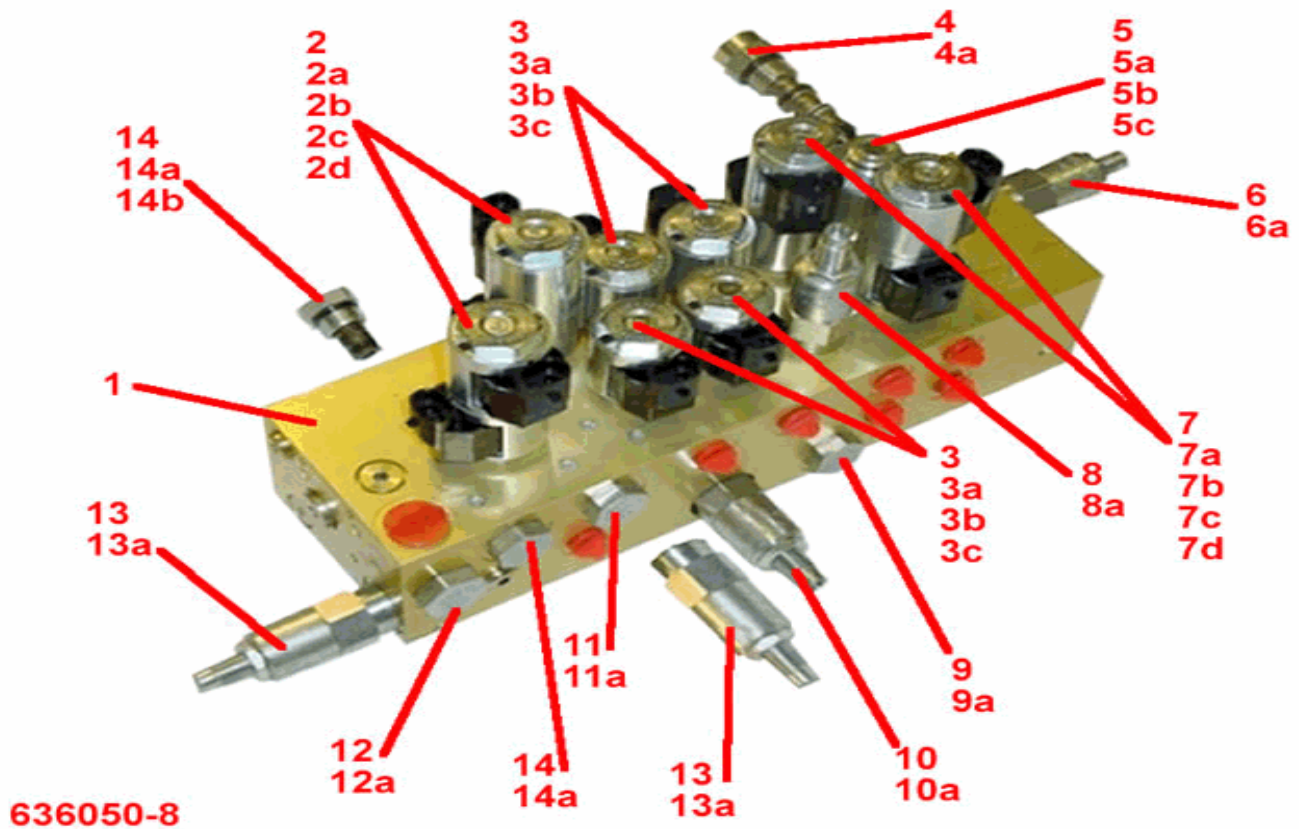
636099-8

Shows special tools and large scale schematic drawings that are available to help with servicing of 636HS.

1	AT020 - Hose Burst Valve Tool	1
2	JG006 - Bushing Replacement Tool	1
3	EW193 - Solenoid Test Loom	1
4	EW197 - Solenoid Test Loom	1
5	AT023 - Wear Gauge - 45mm x 2.0mm	1
6	AT024 - Wear Gauge - 105mm x 1.5mm	1
7	GG287 - Fan Inspection Door Key	1
10	ED013 - Electrical Diagram - 636HS	1
11	ED014 - IQAN Electronic Control Schematic Dia	1
12	HD005 - Hydraulic Circuit Diagram - 636HS	1
14	EW212DWG - Chassis IQAN Wiring Loom Drawing - 6	1
15	EW213DWG - Cab IQAN Wiring Loom Drawing	1
16	EW214DWG - Drawing of IQAN Wiring Loom - Vacuum	1

Hydraulic System - Auxiliary Cylinder Manifold

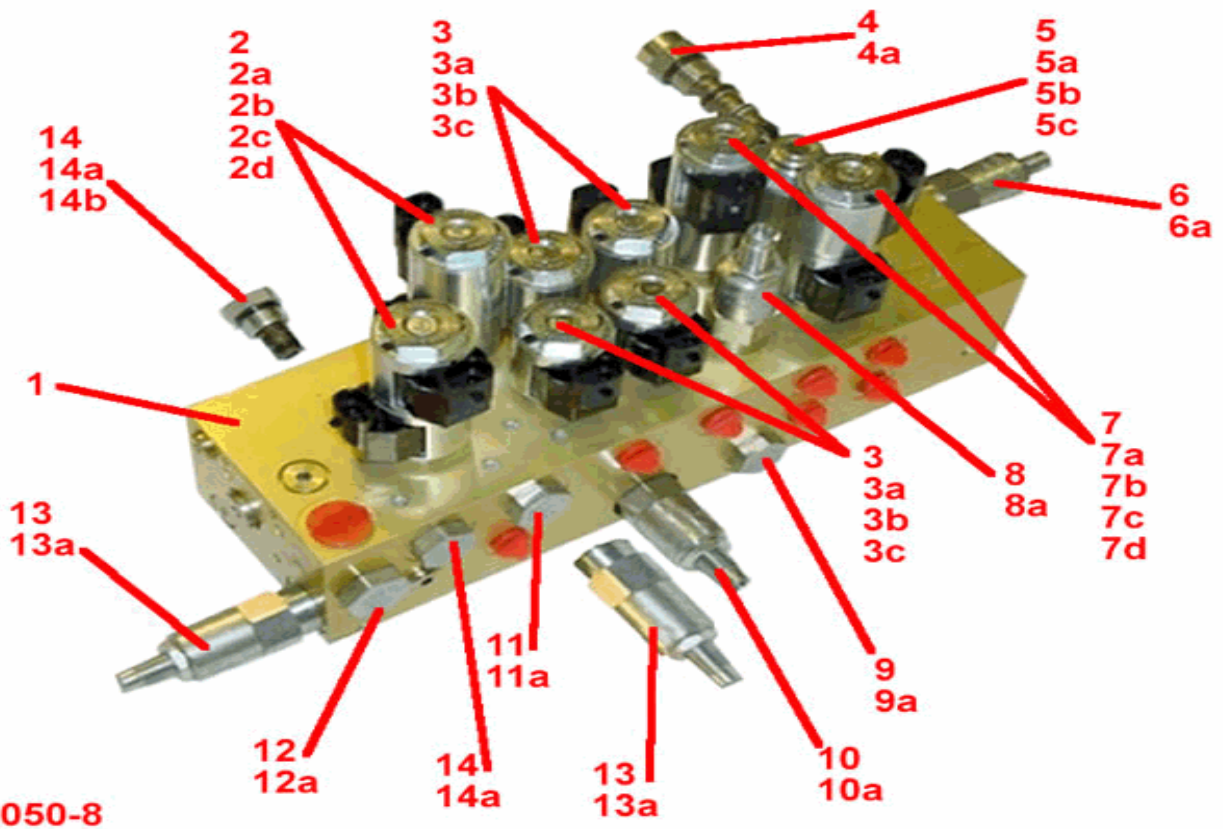
Model: **636HS Green Machine**
 From CIN: 1 To CIN: 999
 Drawing: **636050-8** Rev:



1	HC158 - Hydraulic Block Assy. - Cylinders	1	6a	HV045 - Seal Kit	1
2	HV111 - Solenoid Valve	2	7	HV103 - Solenoid Valve	2
2a	HV121 - Coil, EYZ Type for SV08	2	7a	HV121 - Coil, EYZ Type for SV08	2
2b	HV125 - Coil Spacer for twin coil valves	2	7b	HV125 - Coil Spacer for twin coil valves	2
2c	HV122 - E Coil Nut	2	7c	HV122 - E Coil Nut	2
2d	HV104 - Seal Kit for HV111	2	7d	HV104 - Seal Kit for HV111	2
3	HV108 - Solenoid Valve	4	8	HV115 - Relief Valve - 50 bar	1
3a	HV121 - Coil, EYZ Type for SV08	4	8a	HV045 - Seal Kit	1
3b	HV122 - E Coil Nut	4	9	HV106 - Shuttle Valve	1
3c	HV051 - Seal Kit	4	9a	HV107 - Seal Kit for HV106	1
4	HV039 - Valve, priority flow	1	10	HV137 - Pressure Reducing Valve	1
4a	HV139 - Seal Kit	1	10a	HV110 - Seal Kit	1
5	HV102 - Solenoid Valve	1	11	HV112 - P.O. Check Valve	1
5a	HV121 - Coil, EYZ Type for SV08	1	11a	HV113 - Seal Kit for HV112	1
5b	HV124 - E-Coil Nut for SV08	1	12	HV116 - Check Valve	1
5c	HV045 - Seal Kit	1	12a	HV096 - Seal Kit for HV116, HV095 & HV097	1
6	HV101 - Relief Valve - 210 bar	1	13	HV163 - Relief Valve - 100 bar	2

Hydraulic System - Auxiliary Cylinder Manifold

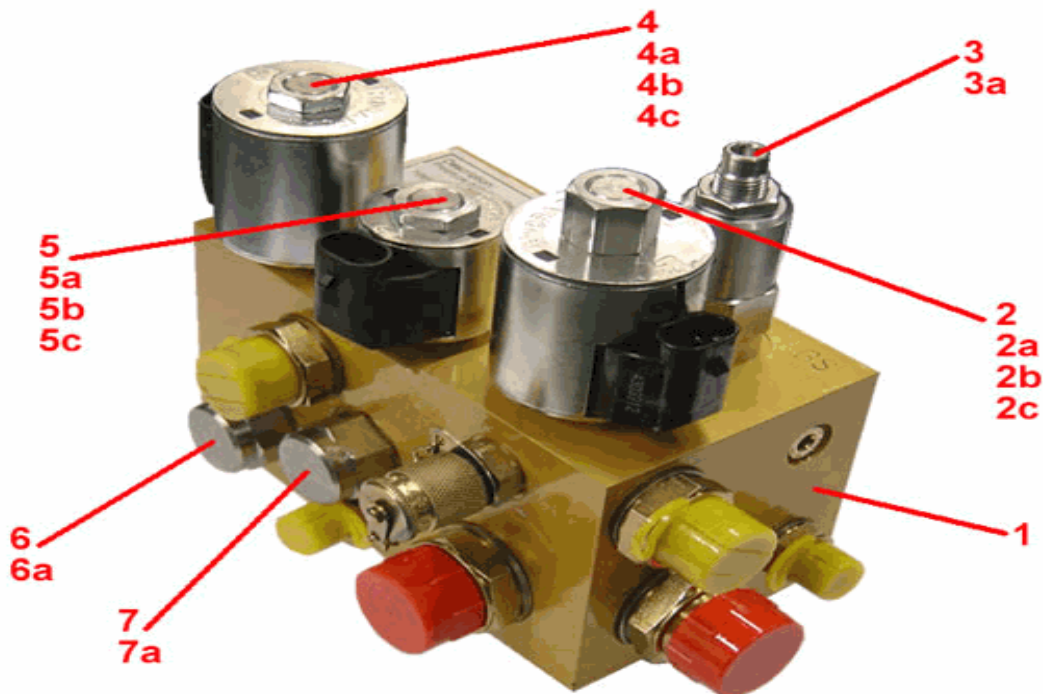
Model: **636HS Green Machine**
 From CIN: 1 To CIN: 999
 Drawing: **636050-8** Rev:



13a	HV045 - Seal Kit	2
14	HV062 - Valve, Check	2
14a	HV120 - Double Pilot Piston	2
14b	HV045 - Seal Kit	2

Hydraulic System - Auxiliary Motor Manifold

Model: **636HS Green Machine**
 From CIN: 1 To CIN: 999
 Drawing: **636051-8** Rev:

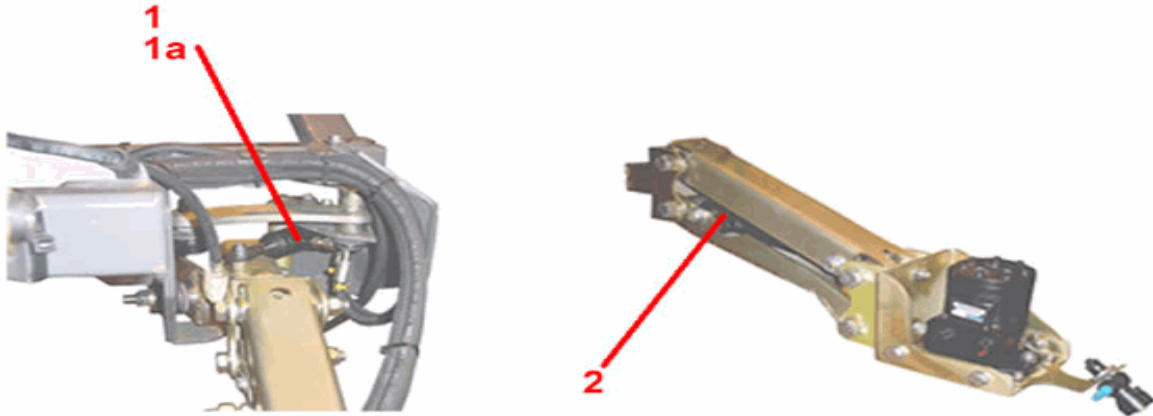


636051-8

1	HC182 - Hydraulic Block Assembly, Motor Manif	1	7	HV168 - Valve, Pressure Compensator - 220 SPR	1
2	HV095 - Solenoid Valve	1	7a	HV169 - Seal Kit, Pressure Compensator Valve	1
2a	HV123 - Coil, EYZ type for SV10 & SV58	1			
2b	HV142 - E Coil Nut	1			
2c	HV140 - Seal Kit, Solenoid Valve	1			
3	HV170 - Valve, Relief - High Pressure - 250 b	1			
3a	HV171 - Seal Kit, Relief Valve	1			
4	HV173 - Valve, Proportional Solenoid - SP10	1			
4a	HV123 - Coil, EYZ type for SV10 & SV58	1			
4b	HV122 - E Coil Nut	1			
4c	HV140 - Seal Kit, Solenoid Valve	1			
5	HV172 - Valve, Proportional Solenoid - SP08	1			
5a	HV121 - Coil, EYZ Type for SV08	1			
5b	HV122 - E Coil Nut	1			
5c	HV045 - Seal Kit	1			
6	HV167 - Valve, Pressure Compensator - 80 SPRG	1			
6a	HV169 - Seal Kit, Pressure Compensator Valve	1			

Hydraulic System - Brush Cylinders

Model: **636HS Green Machine**
 From CIN: **1** To CIN: **999**
 Drawing: **636056-8** Rev:

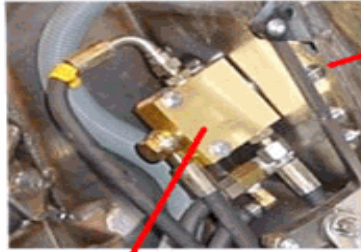


636056-8

1	HC160 - Hydraulic Cylinder - Brush Up/Down	2
2	HC143 - Hydraulic Cylinder, Brush In/Out	2
2a	HC144 - Seal Kit for HC143	1

Hydraulic System - Brush Height

Model: **636HS Green Machine**
From CIN: **1** To CIN: **999**
Drawing: **636061-8** Rev:



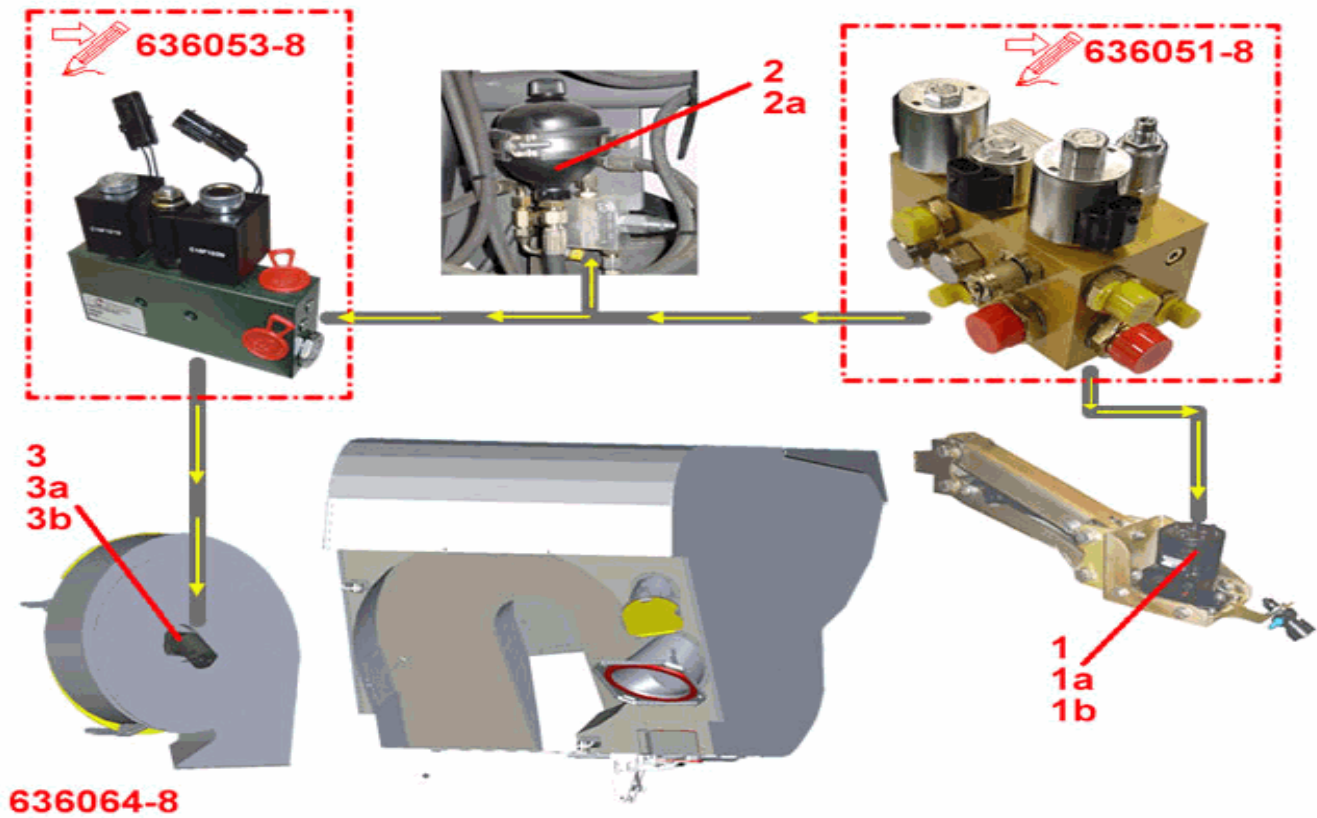
1

636061-8

1	HV133 - Valve Assembly, Brush Height	1
---	--------------------------------------	---

Hydraulic System - Fan & Brush Motors

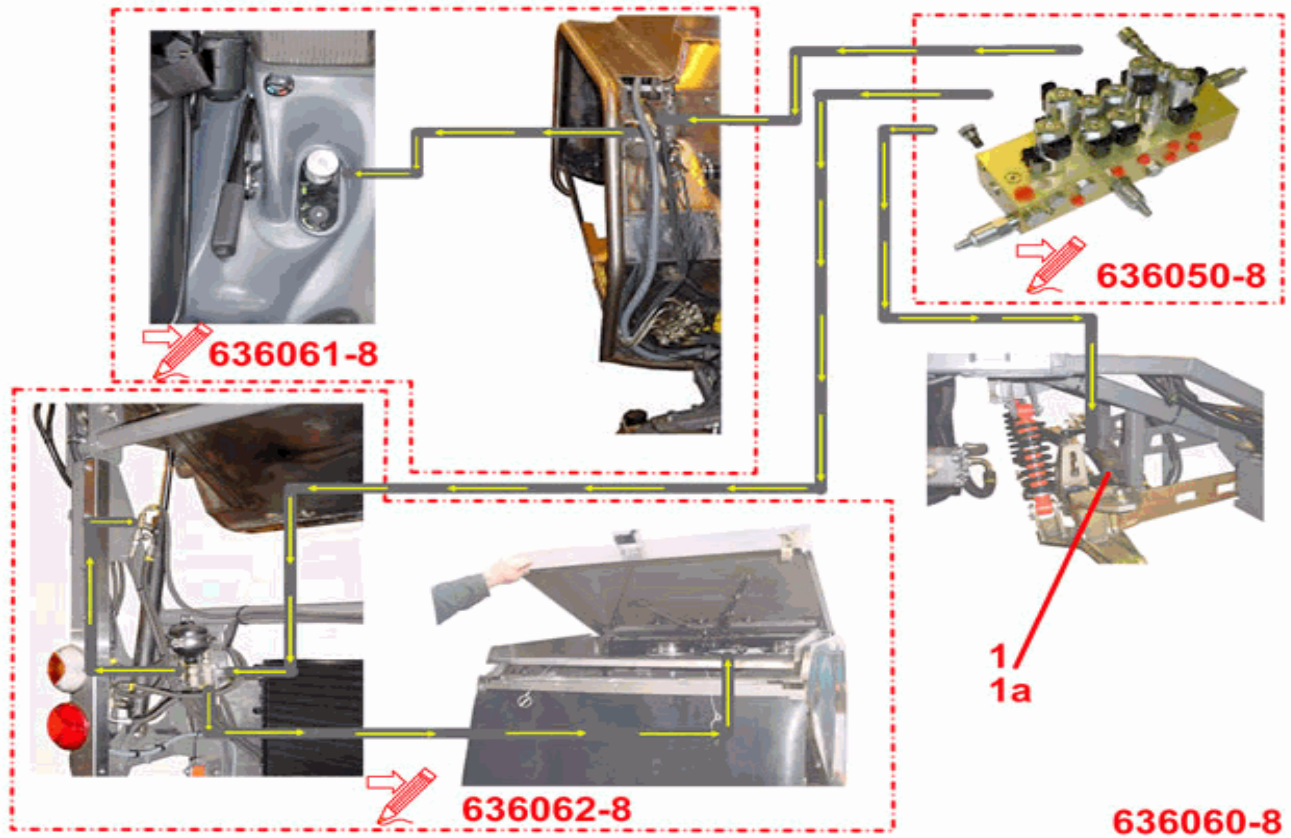
Model: **636HS Green Machine**
 From CIN: 1 To CIN: 999
 Drawing: **636064-8** Rev:



1	HM029 - Hydraulic Drive Motor, T Type 60cc	2
1a	HM037 - Key for Brush Motor	2
1b	HM038 - Seal Kit for Brush Motor	2
2	HV090 - Accumulator	1
2a	CB839 - Accumulator Clamp Assembly	1
3	HM050 - Motor, Fan Drive - 12cc	1
3a	HM053 - Seal Kit for Fan Motor (12cc)	1
3b	HM054 - Key for Fan Motor (12cc)	1

Hydraulic System - Hopper & Brush Valve

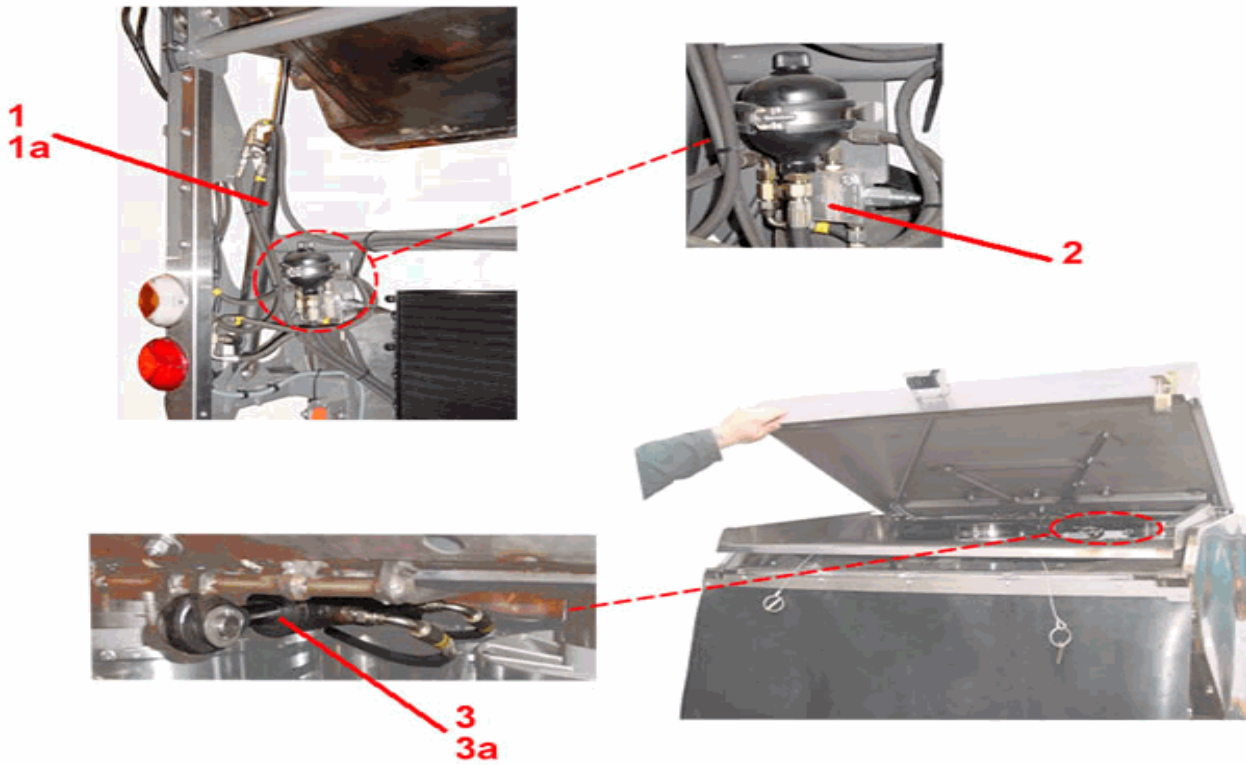
Model: **636HS Green Machine**
 From CIN: **1** To CIN: **999**
 Drawing: **636060-8** Rev:



1	HC187 - HC187 - Hydraulic Cylinder - Tracking	2
1a	HC140 - Seal Kit for HC138, HC148 & HC165	2

Hydraulic System - Hopper Cylinders

Model: **636HS Green Machine**
 From CIN: **1** To CIN: **999**
 Drawing: **636062-8** Rev:



636062-8

1	HC141 - Hydraulic Cylinder, Hopper	2
1a	HC142 - Seal Kit for HC141	1
2	HV119 - Sequence Valve, Direct Acting	1
3	HC148 - Hydraulic Cylinder, Hopper Roof	1
3a	HC140 - Seal Kit for HC138, HC148 & HC165	1

Hydraulic System - Hopper Manifold

Model: **636HS Green Machine**
 From CIN: 1 To CIN: 999
 Drawing: **636053-8** Rev:

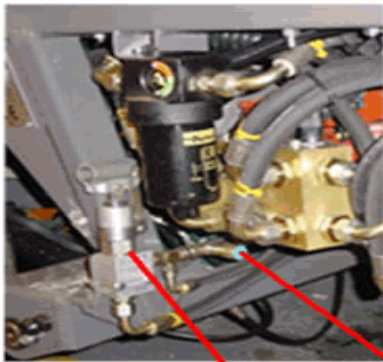


636053-8

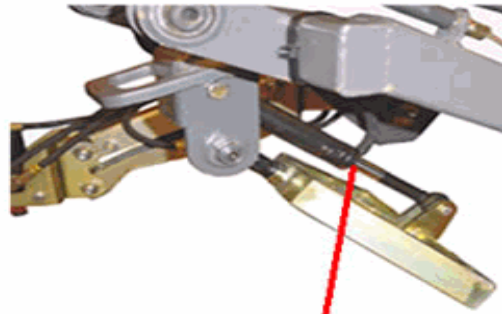
1	HC189 - Hydraulic Block Assembly, Hopper Mani	1
2	HV193 - Valve, Check - 3CA80	1
2a	HV194 - Seal Kit for 3CA80 Check Valve	1
3	HV190 - Valve, Solenoid - S229N	1
3a	HV191 - Coil, for S229N Valve	1
3b	HV192 - Seal Kit for S229N Valve	1
3c	HV196 - Coil Nut S229N Valve	1
4	HV187 - Valve, Solenoid - 2 way - S502N	1
4a	HV188 - Coil, For S5 Valves	1
4b	HV189 - Seal Kit for S5 Solenoid Valve	1
4c	HV195 - Coil Nut, for S5 Valve	1
5	HV185 - Valve, Relief - 210 bar	1
5a	HV186 - Seal Kit for Relief Valve (HV185)	1

Hydraulic System - Hydraulic Cylinder & Hand Pump

Model: **636HS Green Machine**
 From CIN: **1** To CIN: **999**
 Drawing: **636055-8** Rev:



1
3



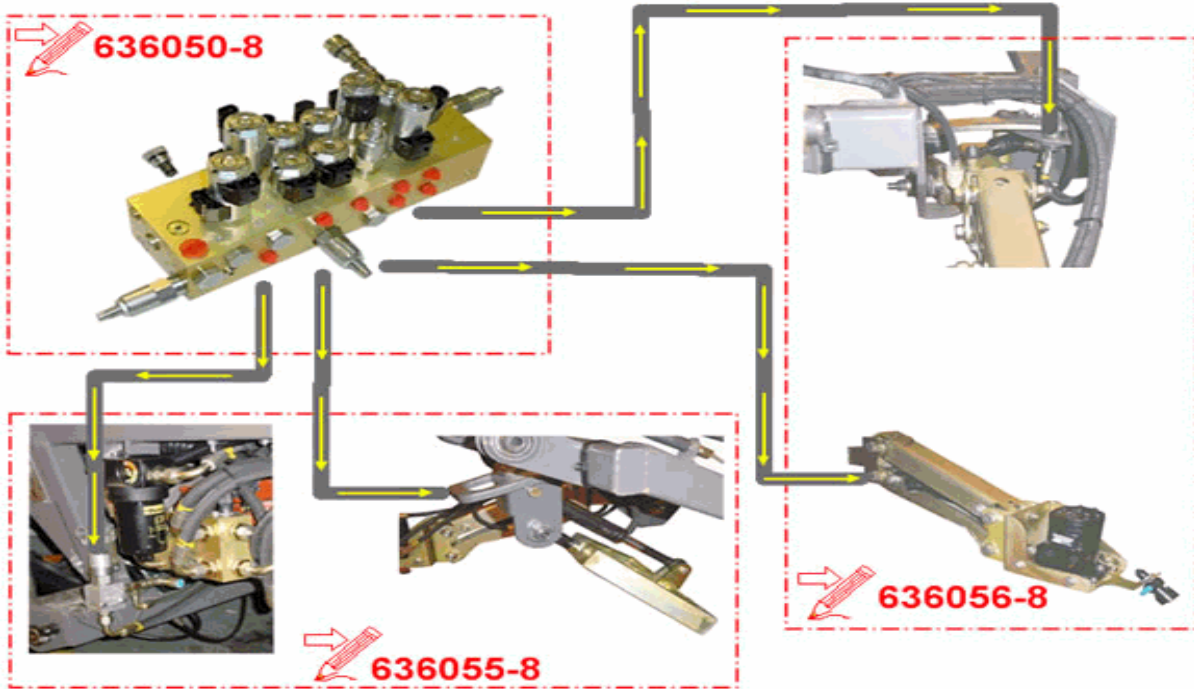
2
2a

636055-8

1	HV131 - Hand Pump Valve	1
2	HC145 - Hyd. Cylinder, Nozzle Up/Down	1
2a	HC146 - Seal Kit for HC145	1
3	HV136 - Valve, In-line Needle - 1/4	1

Hydraulic System - Hydraulic Cylinders

Model: **636HS Green Machine**
From CIN: 1 To CIN: 999
Drawing: **636054-8** Rev:

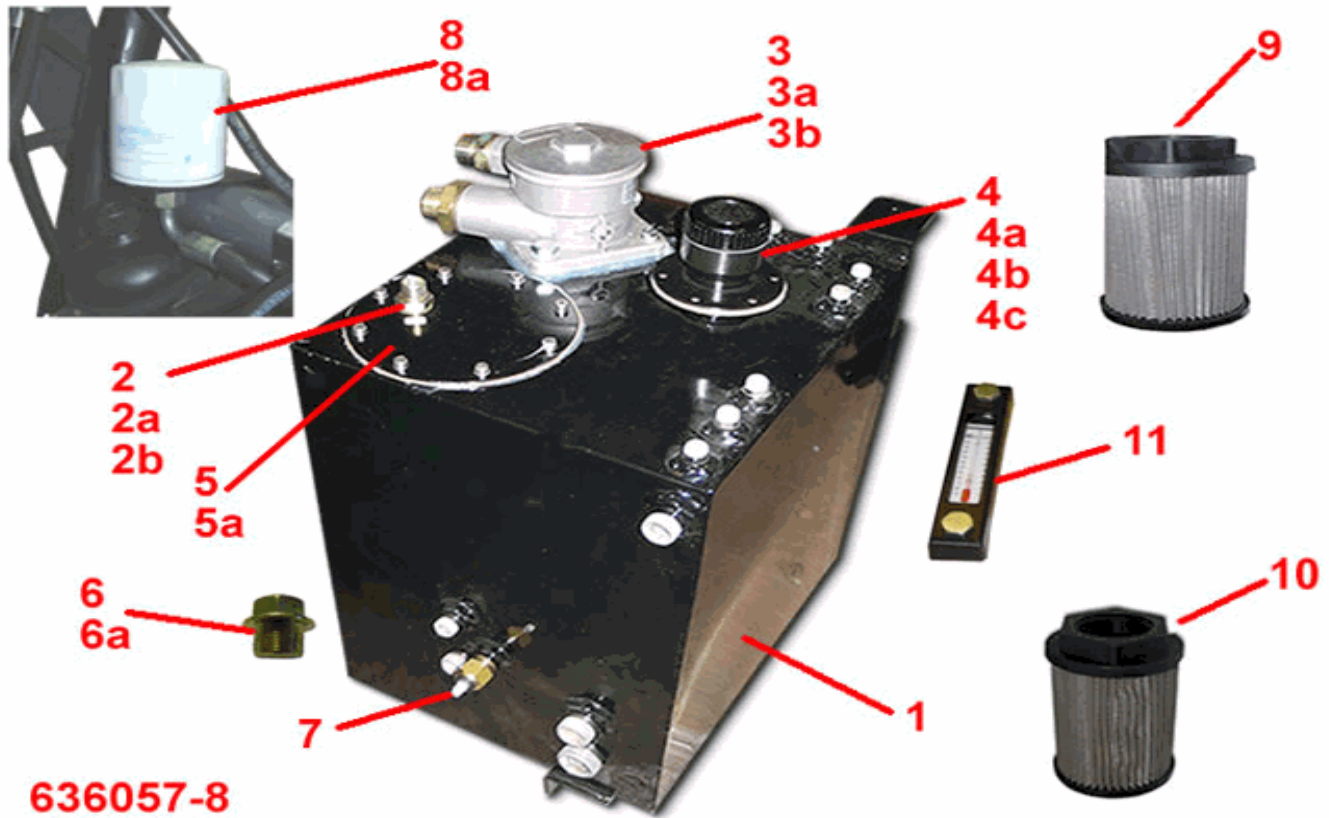


636054-8

1	HC158 - Hydraulic Block Assy. - Cylinders	1
---	---	---

Hydraulic System - Hydraulic Tank

Model: **636HS Green Machine**
 From CIN: 1 To CIN: 999
 Drawing: **636057-8** Rev:

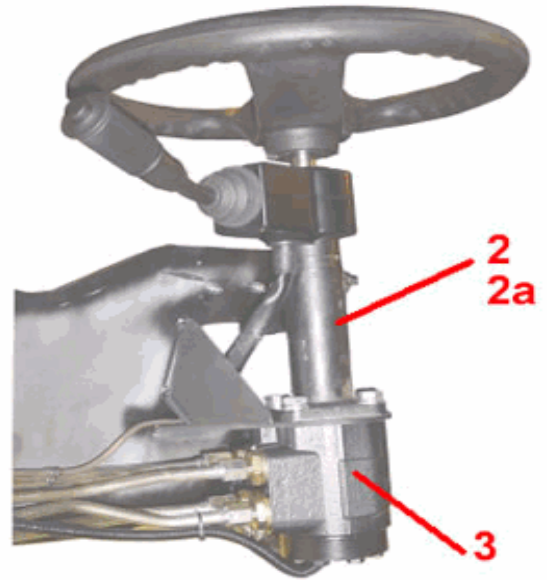
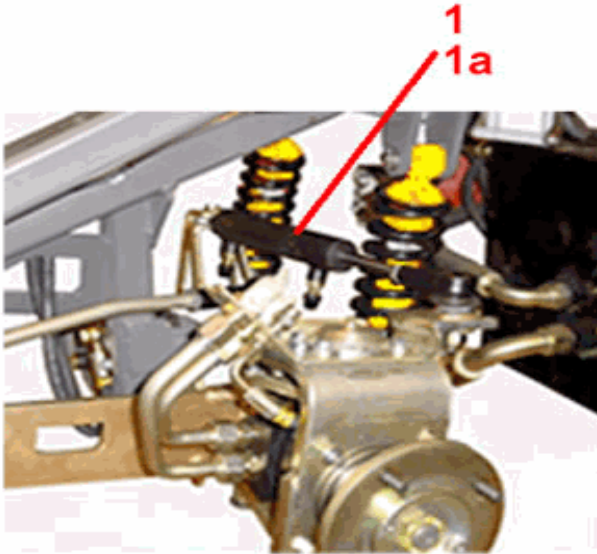


636057-8

1	HT064 - Hydraulic Tank	1	8a	CD184 - Remote Breather Bracket	1
2	HF006 - Hydraulic Stud Coupling - 3/8 Male to	1	9	HC153 - Suction Strainer, Auxiliary Pump	1
2a	HF020 - Lock Nut, 3/8	1	10	HC152 - Suction Strainer, Steering Pump	1
2b	HF010 - Hydraulic Bonded Seal - 3/8 BSP (16mm)	1	11	HC156 - Oil Level/Temperature Gauge	1
3	HC154 - Filter Element, Suction & Return	1			
3a	HC151 - Filter, Suction & Return	1			
3b	HC155 - Visual Indicator, Suction/Return Filt	1			
4	HF153 - Filler Cap, Hydraulic Tank	1			
4a	HT087 - Filler Neck, Hydraulic Tank	1			
4b	HT088 - Filter, Filler Neck - Hydraulic Tank	1			
4c	HT082 - Cork Gasket, Hydraulic Tank	1			
5	HT084 - Lid, Hydraulic Tank	1			
5a	HT050 - Gasket, Hydraulic Tank	1			
6	PD069 - Sump Plug	1			
6a	PD053 - Gasket, Sump Plug	1			
7	ES253 - Temperature Switch - Hydraulic Oil	1			
8	PD264 - Remote Breather, Hydraulic Tank	1			

Hydraulic System - Steering

Model: **636HS Green Machine**
 From CIN: 1 To CIN: 999
 Drawing: **636058-8** Rev:

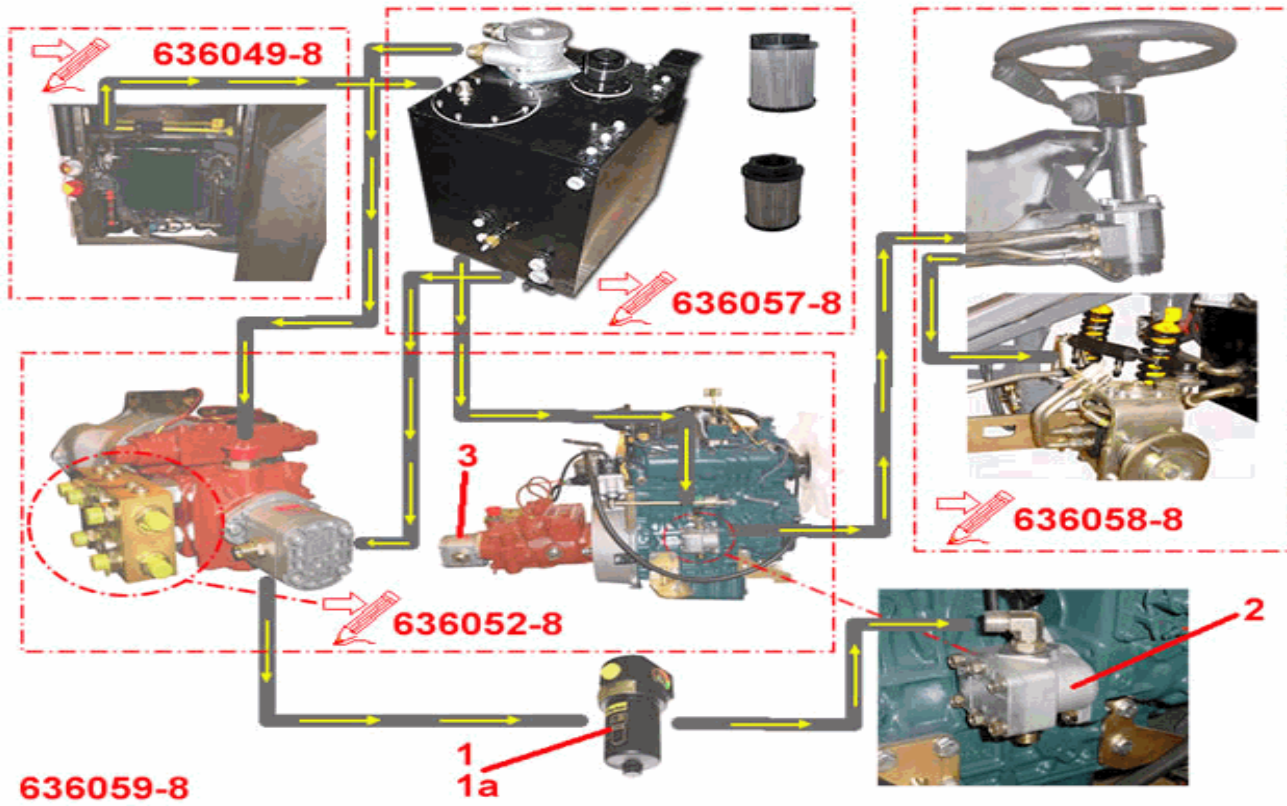


636058-8

1	HC137 - Hydraulic Cylinder - Steering	1
1a	HC139 - Seal Kit, Steering Cylinder	1
2	FS014 - Steering Column Assembly	1
2a	FS018 - Handle & Screw, Steering Column	1
3	HV138 - Steering Control Unit	1

Hydraulic System - Tanks, Pumps & Steering

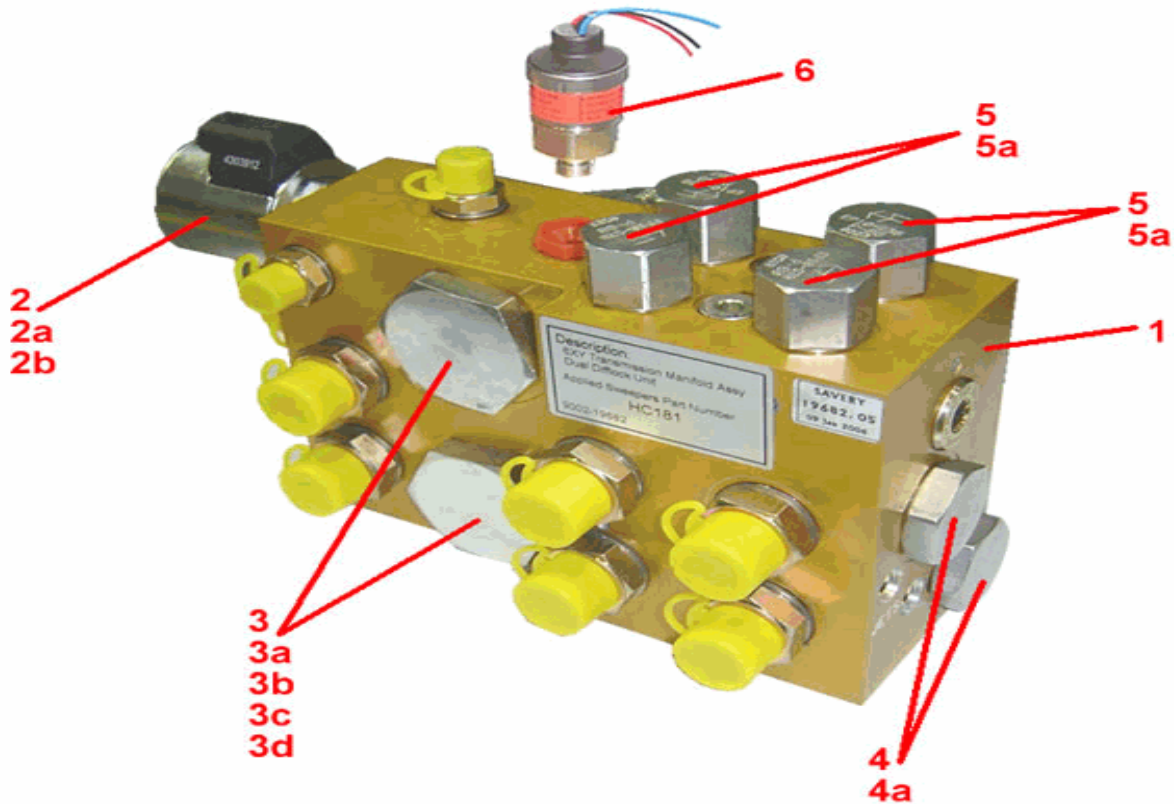
Model: **636HS Green Machine**
 From CIN: 1 To CIN: 999
 Drawing: **636059-8** Rev:



1	HC004 - Filter, Auxiliary Circuit Pressure	1
1a	HC058 - Filter Element	1
2	HP021 - Hydraulic Pump, Steering	1
2a	HF105 - Adjustable Connector, 3/8 BSP 90 Deg	1
3	HP029 - HP029 - Auxiliary Gear Pump - 19cc	1

Hydraulic System - Transmission Manifold

Model: **636HS Green Machine**
 From CIN: 1 To CIN: 999
 Drawing: **636052-8** Rev:

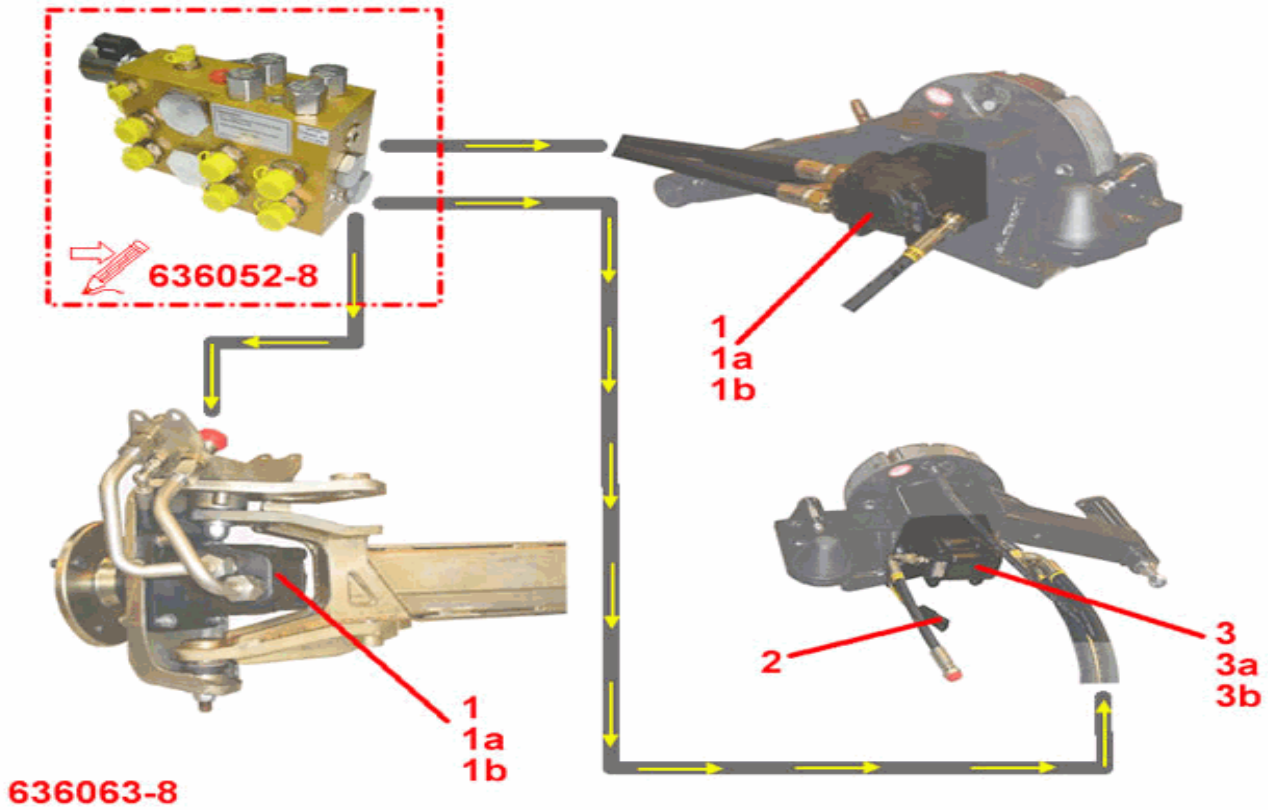


636052-8

1	HC181 - Hydraulic Block Assembly, Transmissio	1
2	HV182 - Valve, Spool - 3 Way - High Pressure	1
2a	HV123 - Coil, EYZ type for SV10 & SV58	1
2b	HV198 - Seal kit SK08	1
3	HF172 - Nut, Retaining - Manifold	2
3a	HF171 - Stud, Mounting - Manifold	2
3b	HF174 - O-Ring Kit, Mounting Studs - Manifold	1
3c	CD136 - Lock Clamp, Transmission Block	2
3d	CD135 - Lock Anchor, Transmission Block	1
4	HV184 - Flow Divider/Combiner	2
4a	HV118 - Seal Kit for HV117	1
5	HV181 - Valve, Logic Element	4
5a	HV199 - Seal Kit SK10	4
6	ES278 - Pressure Transducer c/w Plug	1

Hydraulic System - Wheel Motors

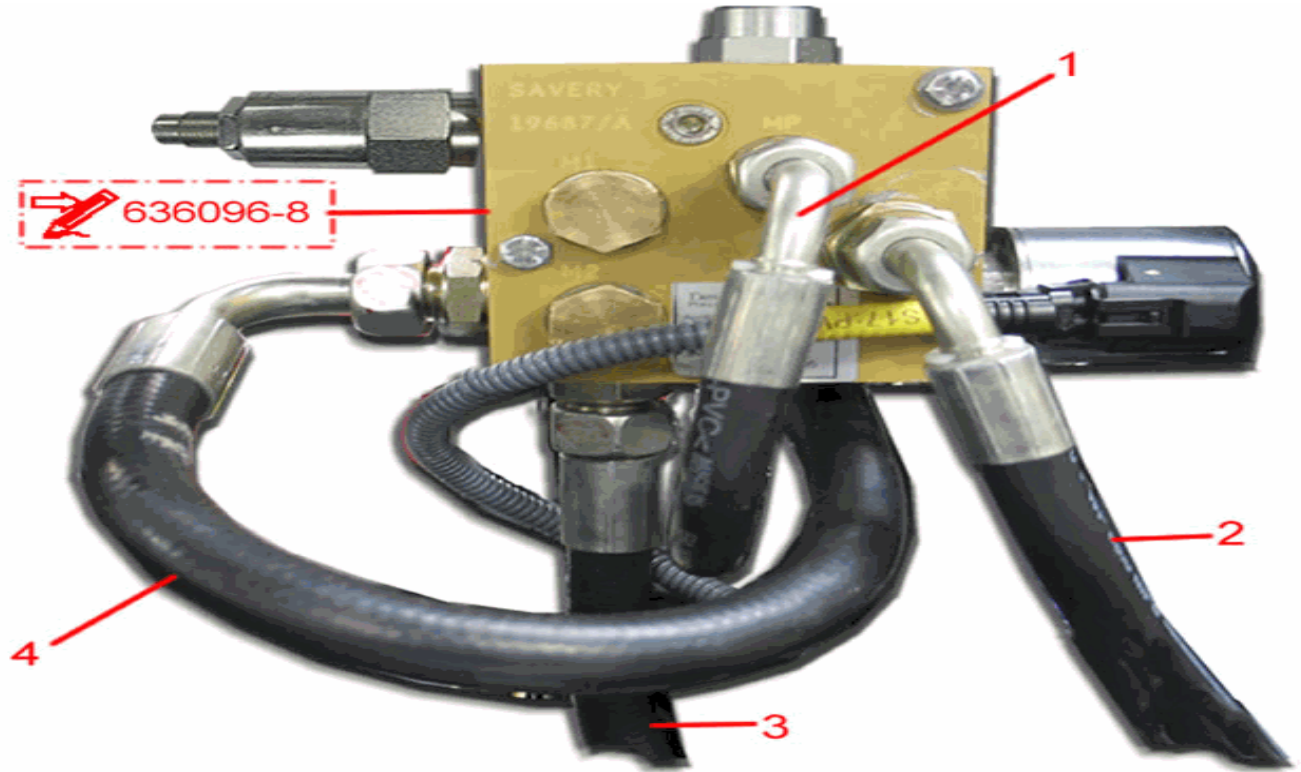
Model: **636HS Green Machine**
 From CIN: **1** To CIN: **999**
 Drawing: **636063-8** Rev:



1	HM035 - Wheel Motor, 100cc	3
1a	HM031 - Key, Wheel Motor	3
1b	HM033 - Seal Kit, Wheel Motor	3
2	ES285 - Speed Sensor, Wheel Motor with plug	1
3	HM052 - Wheel Motor, Left Side Rear 100 cc (w	1
3a	HM031 - Key, Wheel Motor	1
3b	HM033 - Seal Kit, Wheel Motor	1

Pressure Washer - Hydraulic System (from CIN 2)

Model: **636HS Green Machine**
 From CIN: **2** To CIN: **999**
 Drawing: **636095-8** Rev:

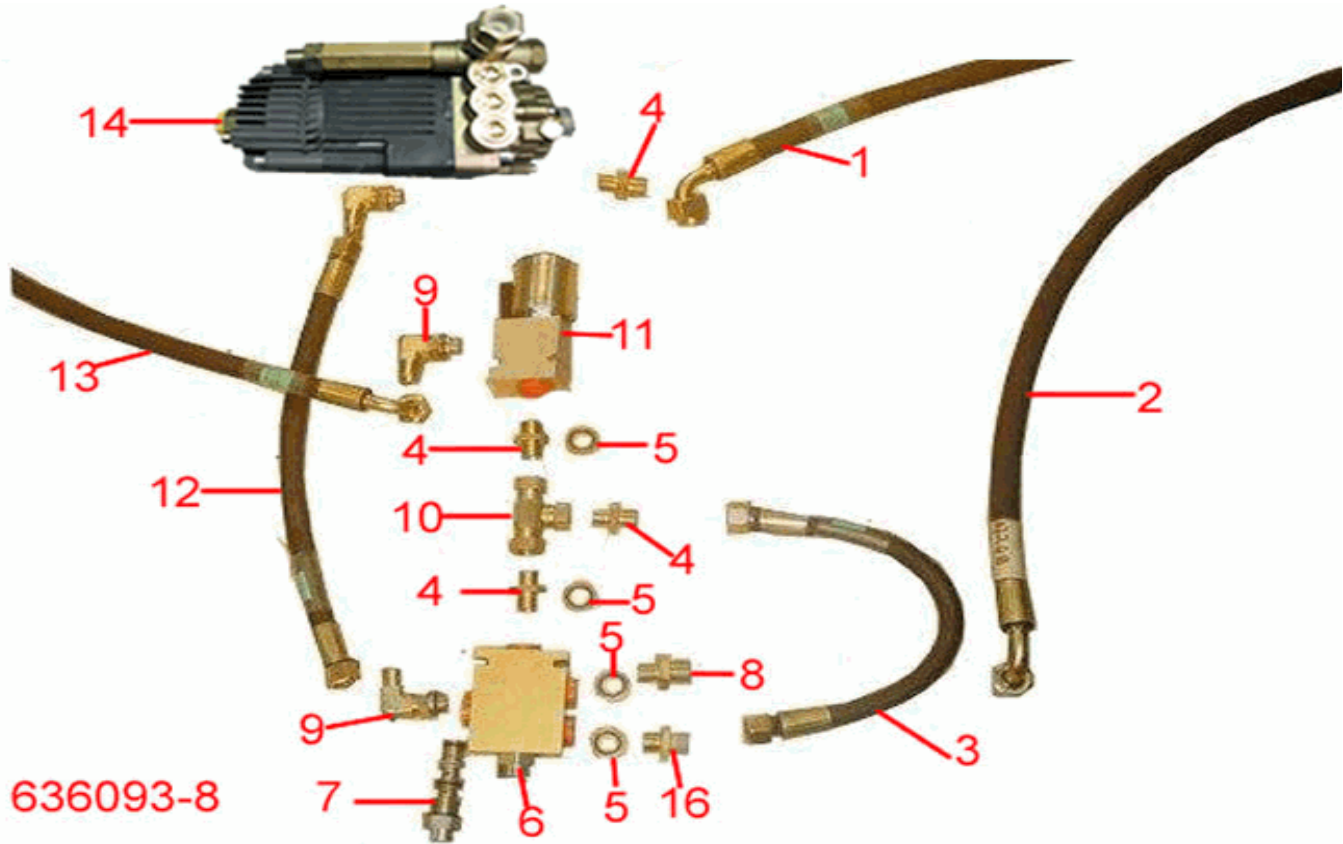


636095-8

1	HJ311 - Hydraulic Hose,Pressure Washer Manifo	1
2	HJ317 - Hydraulic Hose,Motor Manifold-Pressur	1
3	HJ319 - Hydraulic Hose,Pressure Washer Manifo	1
4	HJ314 - Hydraulic Hose,Pressure Washer Pump-P	1

**Pressure Washer - Hydraulic System(to CIN
1)**

Model: **636HS Green Machine**
 From CIN: 1 To CIN: 1
 Drawing: **636093-8** Rev:

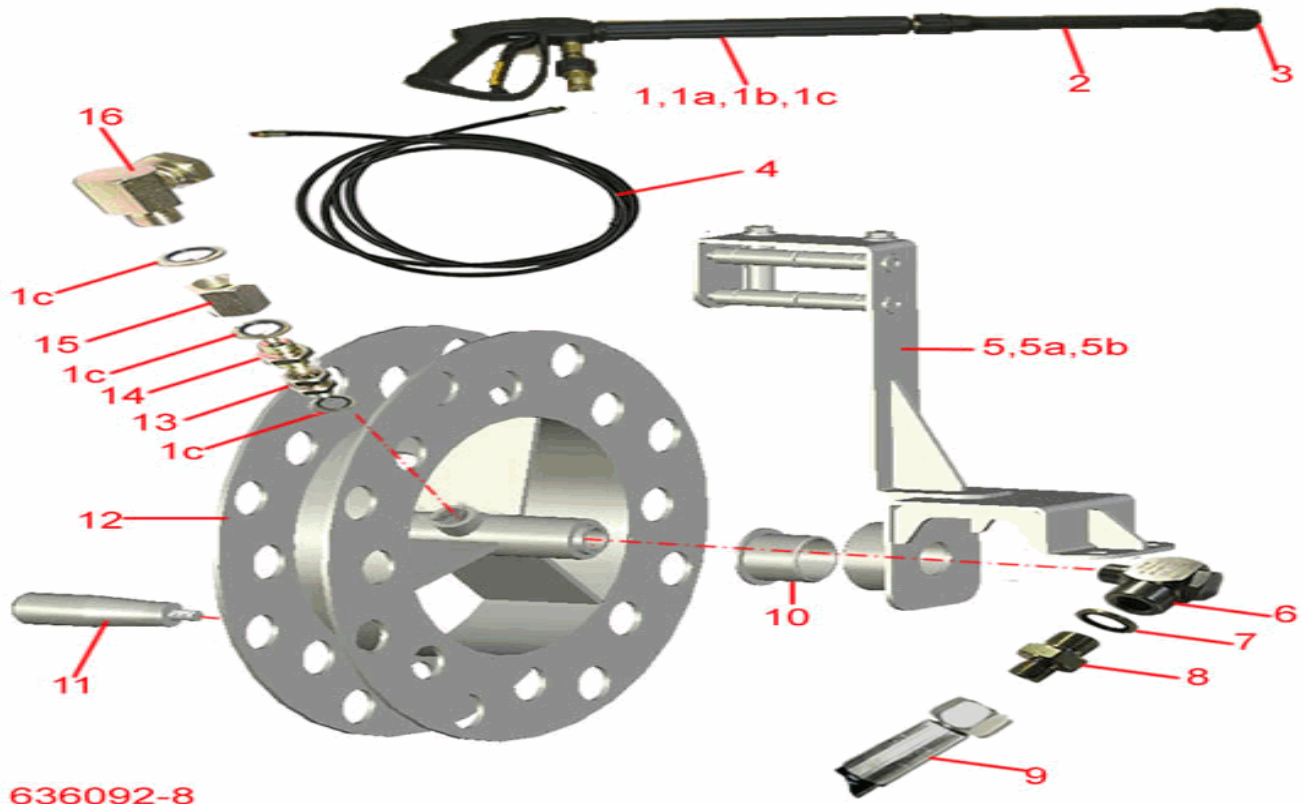


636093-8

1	HJ288 - Hydraulic Hose,Pressure Washer Pump R	1
2	HJ289 - Hydraulic Hose,Pressure Washer Valve	1
3	HJ290 - Hydraulic Hose,Loop On Pressure Washe	1
4	HF006 - Hydraulic Stud Coupling - 3/8 Male to	3
5	HF010 - Hydraulic Bonded Seal - 3/8 BSP (16mm	4
6	HV146 - Valve Block	1
7	HV039 - Valve, priority flow	1
8	HF017 - Hydraulic Adaptor Coupling - 1/2 Male	1
9	HF105 - Adjustable Connector, 3/8 BSP 90 Deg	2
10	HF052 - Tee Connector 3/8 BSP F/F/F	1
11	HV145 - Valve Block	1
11a	HV152 - Solenoid Valve	1
11b	HV140 - Seal Kit, Solenoid Valve	1
12	HJ292 - Hydraulic Hose,Valve Block To Pressur	1
13	HJ291 - Hydraulic Hose,Feed To Pressure Washe	1
14	WP212 - Combined Pump and Motor,Pressure Wash	1
15	HF125 - Restrictor Valve, Jet Wash	1

Pressure Washer - Lance/Hose Reel

Model: **636HS Green Machine**
 From CIN: 1 To CIN: 999
 Drawing: **636092-8** Rev:

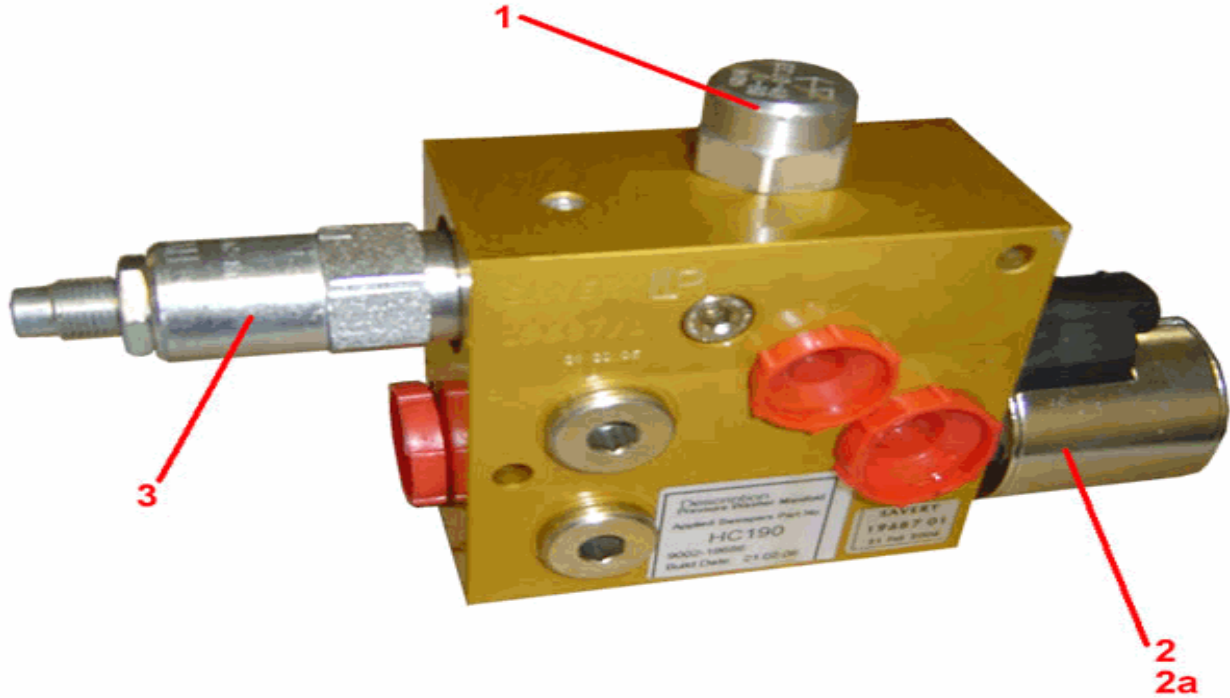


636092-8

1	WA161 - Lance Body (pressure washer)	1	13	HF138 - Adaptor, M/F Swivel - 1/4 BSP	1
1a	WA180 - Swivel Connector - Pressure Washer	1	14	HF046 - Hydraulic Stud Coupling - 1/4 Male to	1
1b	WA179 - Adaptor, Pressure Washer	1	15	HF137 - Adaptor, Fixed - 1/4 BSP F/F	1
1c	HF044 - Hydraulic Bonded Seal - 1/4 BSP (12mm)	4	16	HF113 - Coupling, 90 1/4 Female to Male Swive	1
2	WA175 - Lance Extension	1			
3	WA160 - Lance Jet 1/4 - 15 Degrees	1			
4	WA193 - Hose Assembly, Reel to Lance - Pressu	1			
5	CD036 - Bracket,Pressure Washer	1			
5a	GB113 - Roller,Nylon-10mm long	6			
5b	GB090 - Roller,Nylon-28mm long	6			
6	WA182 - Swivel, 90 deg.	1			
7	HF010 - Hydraulic Bonded Seal - 3/8 BSP (16mm)	1			
8	HF042 - Hydraulic Adaptor Coupling - 3/8 Male	1			
9	HJ235 - Hose Assy. Motor Blk BP Tee to Cylin	1			
10	GB092 - Bush, Hopper Pivot	1			
11	GG281 - Handle for Reel	1			
12	WA184 - Hose Reel, Pressure Washer	1			

**Pressure Washer - Pressure Washer
Manifold**

Model: **636HS Green Machine**
From CIN: **1** To CIN: **999**
Drawing: **636096-8** Rev:

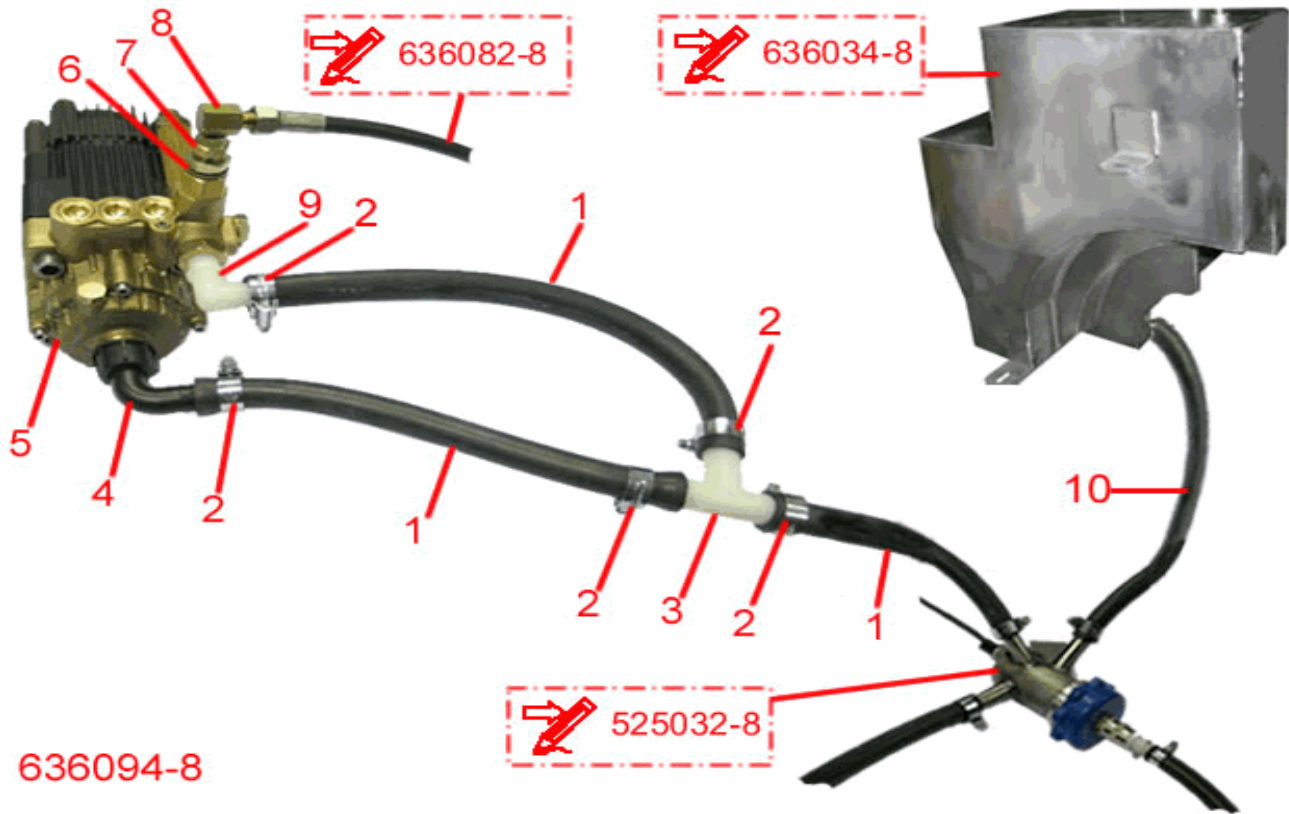


636096-8

1	HV167 - Valve, Pressure Compensator - 80 SPRG	1
1a	HV169 - Seal Kit, Pressure Compensator Valve	1
2	HV095 - Solenoid Valve	1
2a	HV123 - Coil, EYZ type for SV10 & SV58	1
3	HV204 - HV204 - Relief Valve	1
3a	HV045 - Seal Kit	1

Pressure Washer - Water System

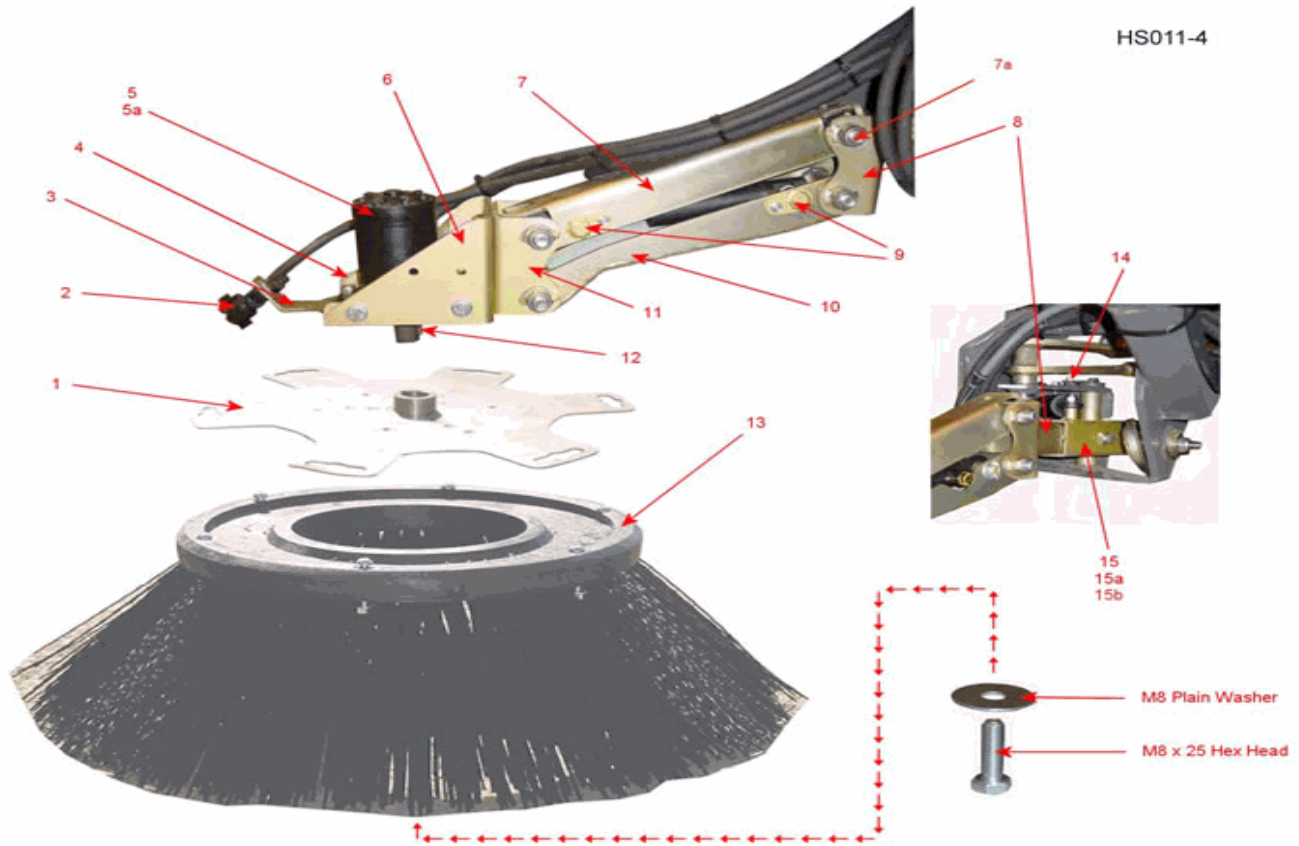
Model: **636HS Green Machine**
 From CIN: 1 To CIN: 999
 Drawing: **636094-8** Rev:



1	WA181 - Hose, Manifold to Pressure Washer	1
2	GG077 - Hose Clamp (14mm to 22mm)	5
3	WP186 - T-Piece,plastic,3/4"	1
4	WP244 - Hose connector,90 Degree	1
5	WP212 - Combined Pump and Motor,Pressure Wash	1
6	HF010 - Hydraulic Bonded Seal - 3/8 BSP (16mm	1
7	HF042 - Hydraulic Adaptor Coupling - 3/8 Male	1
8	HF113 - Coupling, 90 1/4 Female to Male Swive	1
9	WP240 - Hose connector,90 Degree,3/8" BSP	1
10	WA128 - Water Hose, Small Water Tank to Manif	1

Front Brushes & Brush Arms

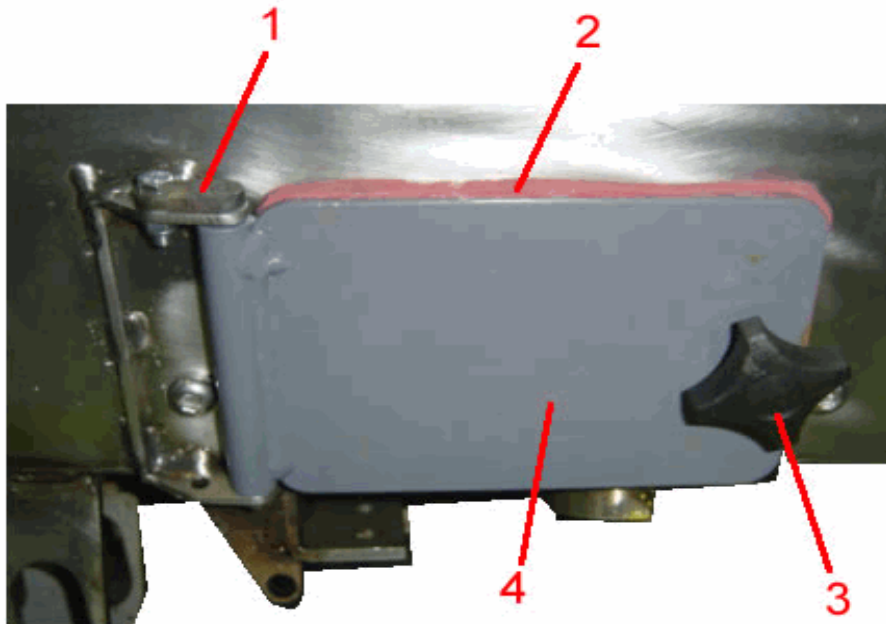
Model: **636HS Green Machine**
 From CIN: **1** To CIN: **999**
 Drawing: **525011-4** Rev:



1	NF184 - Brush Drive Plate Weldment	2	10	NF193 - Lower Brush Arm RH c/w Bushes	1
2	WP165 - Spray Nozzle Holder Assy (Brushes)	2	10a	NF194 - Lower Brush Arm LH c/w Bushes	1
2a	WP160 - Jet Spray	2	11	NF168 - Front Pivot Mounting Bracket	2
2b	WP020 - Filter with anti-drip valve	2	12	HM037 - Key for Brush Motor	2
3	NF210 - Mounting Plate, Water Hose	2	13	NB058 - Brush - Poly - 500/600 Series	2
4	NF178 - Motor Mounting Plate	2	14	NF205 - Anchor Pin - Brush In/Out	2
5	HM036 - Brush Motor	2	15	NF128 - Brush Shock Arm Outer Tube RH	1
5a	HM038 - Seal Kit for Brush Motor	2	15a	NF137 - Brush Shock Arm Outer Tube LH	1
6	NF171 - Motor Swivel Plate - Right Side	1	15b	NF147 - Brush Shock Spring	2
6a	NF175 - Motor Swivel Plate -Left Side	1	15c	NF199 - Wear Strip, Brush Arm	4
6c	NF177 - Brush Cover Bracket - Left Side	1			
6d	NF173 - Brush Cover Bracket - Right Side	1			
7	NF191 - Brush Upper Arm RH c/w Bushes	1			
7a	GB073 - DU Flanged Bush 20 id x 23 od x 22 l	10			
7b	NF192 - Brush Upper Arm LH c/w Bushes	1			
8	NF141 - Brush Shock Arm Inner Tube	2			
9	NF164 - Cylinder Pivot Pin Weldment	4			

Vacuum System - Drain Access Door

Model: **636HS Green Machine**
From CIN: **1** To CIN: **999**
Drawing: **636071-8** Rev:

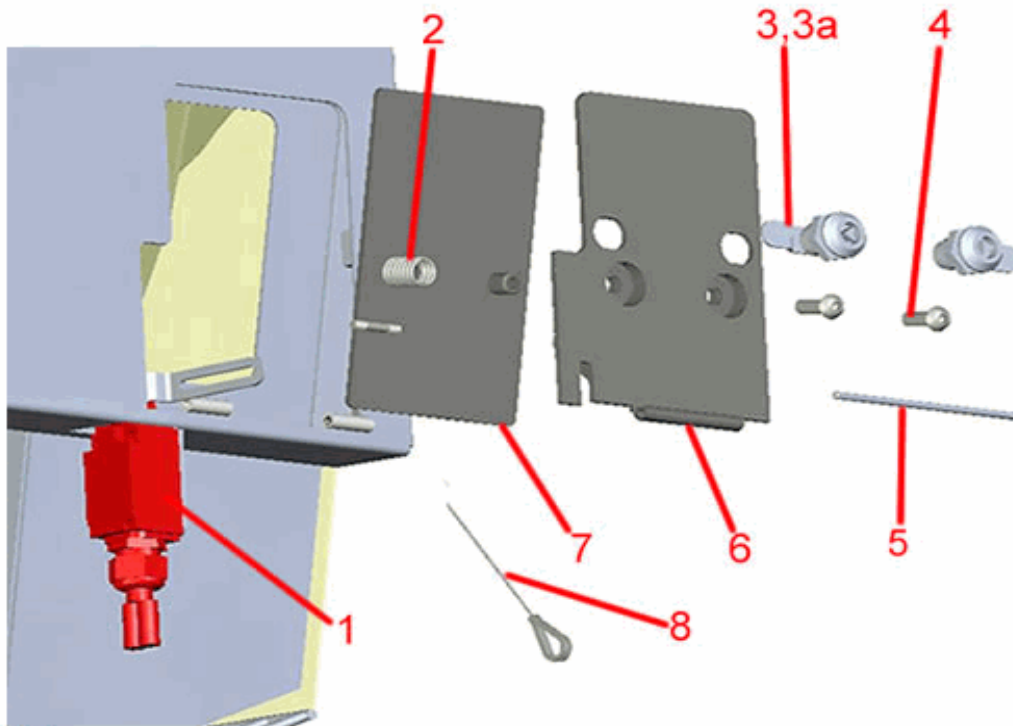


636071-8

1	VH567 - Hinge Pin - Whoosh	1
2	CD168 - Door Seal - Drain Access	1
3	GG289 - Knob-Drain Access Door	1
4	CD165 - Drain Door	1

Vacuum System - Fan Inspection Door

Model: **636HS Green Machine**
 From CIN: **1** To CIN: **999**
 Drawing: **636074-8** Rev:

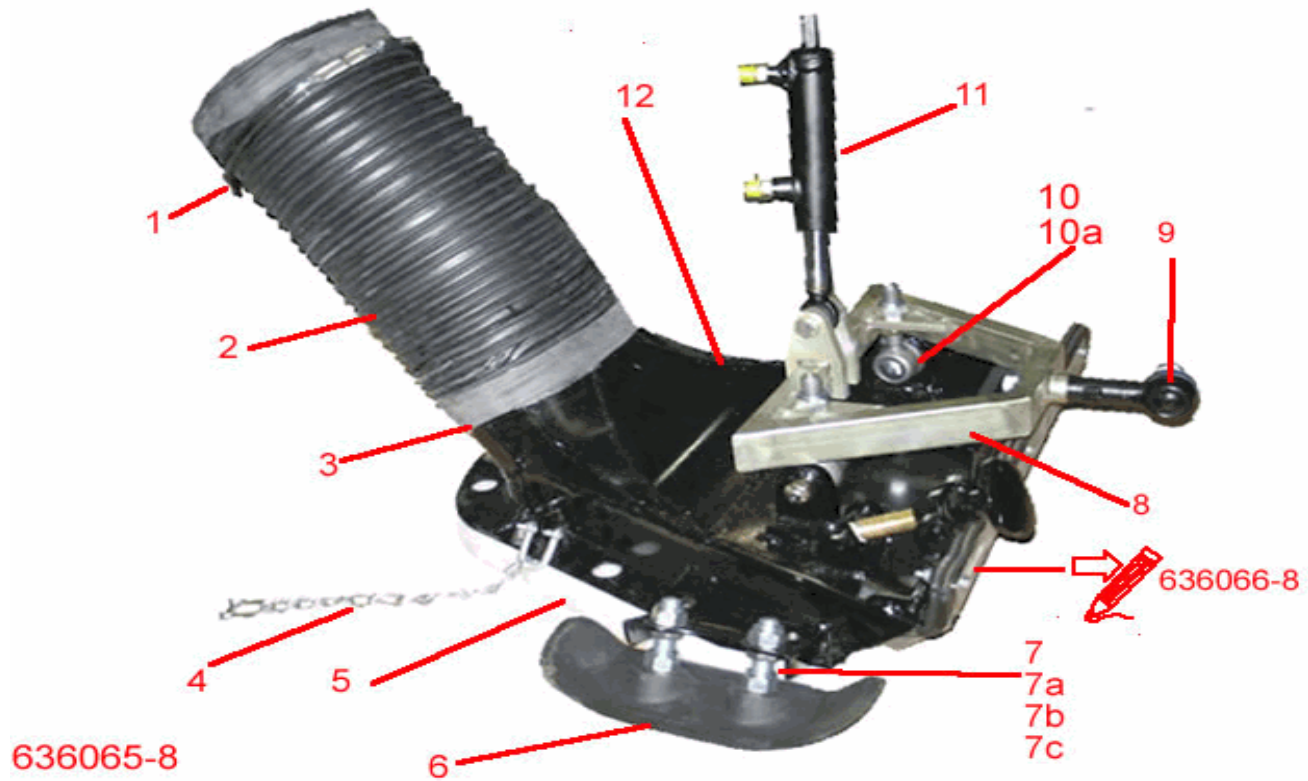


636074-8

1	VH638 - Safety Switch, Fan Door	1
2	GG213 - Compression Spring	2
3	GG286 - Access Door Lock	2
3a	VH650 - Lock Spacer	2
4	GT332 - Screw,M8x25mm Buttonhead St/St	1
5	VH609 - Hinge Pin - Access Door	1
6	VH599 - Outer Plate - Access Door	1
7	VH606 - Inner Access Plate	1
8	VH658 - Wire,Inspection Door Restraining	1

Vacuum System - Front Nozzle

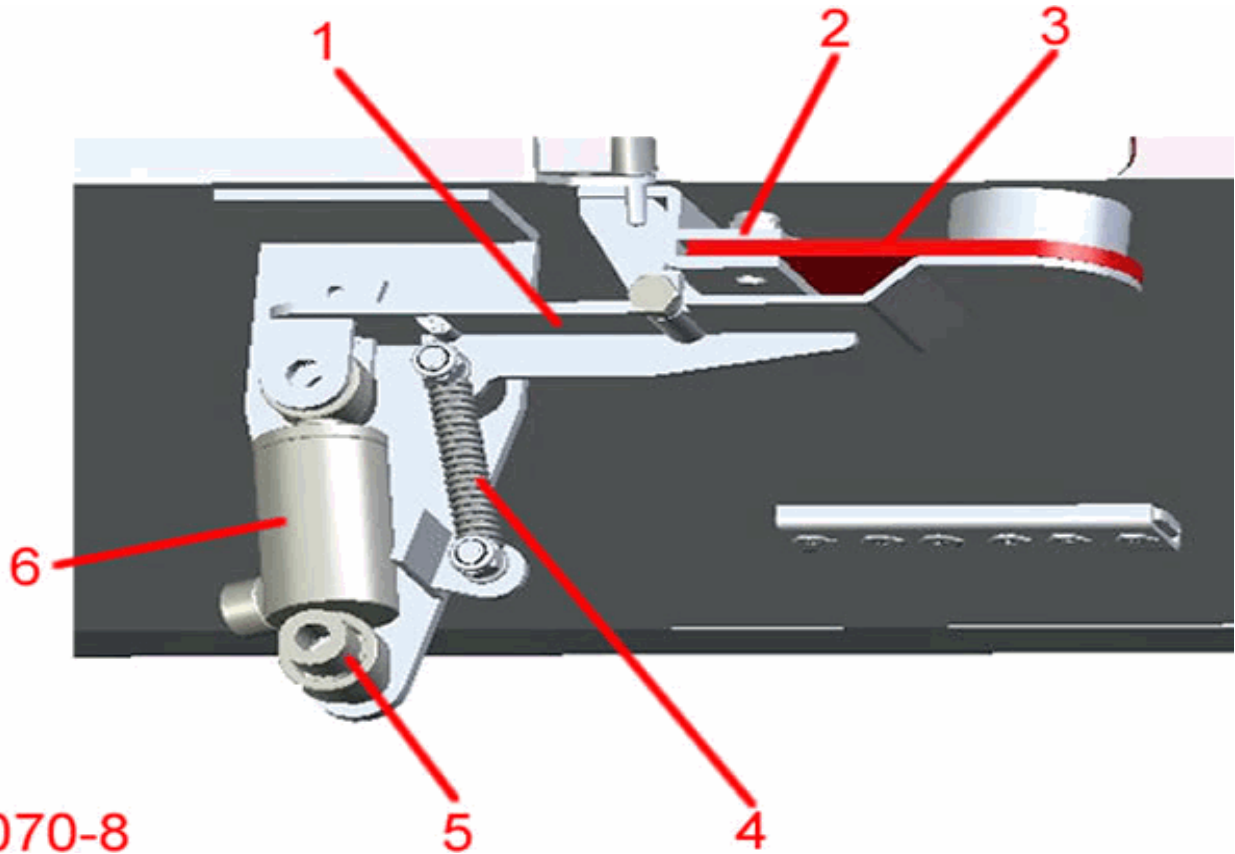
Model: **636HS Green Machine**
 From CIN: 1 To CIN: 999
 Drawing: **636065-8** Rev:



1	GG015 - Hose Clamp (8.5 inch)	1
2	VT188 - Front Nozzle Hose	1
3	GM013 - Rubber band - 8 in. diameter	2
4	NA082 - Chain & Shackles	2
5	NA138 - Horseshoe Wear Pad	1
6	NN112 - Side Skid Shoe	2
7	GT311 - M16 x 100 lg Setscrew	4
7a	GN075 - M16 Thin Nut	4
7b	GW084 - M16 Washer	4
7c	GN068 - M16 Nylon Nut	8
8	NA137 - Nozzle A-Frame Assembly	1
9	GG229 - Ball Joint, Track Rod/Drag Link End	1
10	GG263 - Ball Joint, Track Rod End	2
10a	GW084 - M16 Washer	2
11	HC145 - Hyd. Cylinder, Nozzle Up/Down	1
12	NA118 - Nozzle Body	1

Vacuum System - Hopper Drain Flap

Model: **636HS Green Machine**
 From CIN: 1 To CIN: 999
 Drawing: **636070-8** Rev:

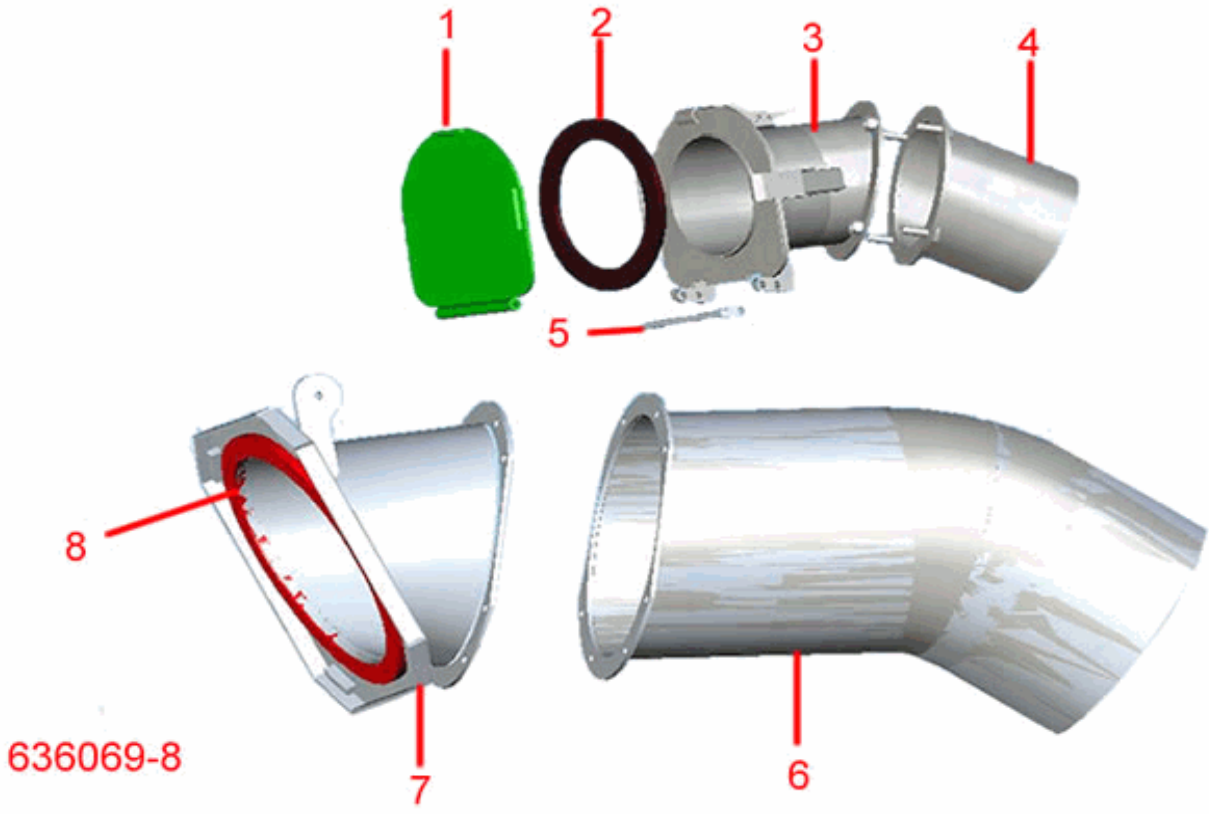


636070-8

1	CD146 - Drain Flap Actuator	1
2	CD155 - Plate,Drain Flap Retaining	1
3	CD154 - Seal,Drain Flap	1
4	GG285 - Spring,Drain Flap	1
5	PP154 - Spacer,Drain Flap Cylinder	2
6	HC128 - Hydraulic Cylinder - pitch lock	1

Vacuum System - Hopper Ducts

Model: **636HS Green Machine**
 From CIN: 1 To CIN: 999
 Drawing: **636069-8** Rev:

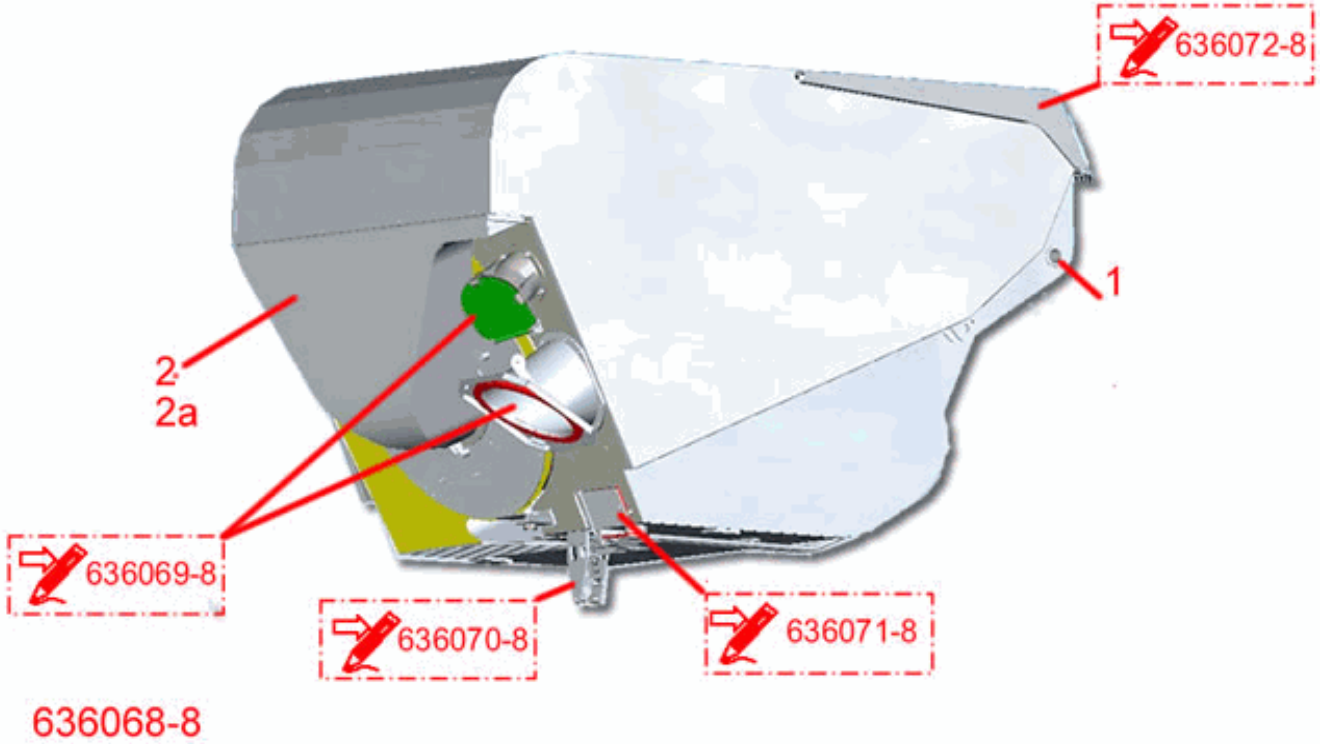


636069-8

1	VH563 - Blanking Plate Assembly - Whoosh Inle	1
2	VH570 - Seal, Whoosh Inlet	1
3	VH551 - Whoosh Tube, Outer	1
4	VH560 - Whoosh Tube, Inner	1
5	VH567 - Hinge Pin - Whoosh	1
6	VH542 - Inlet Duct Tube (Inner)	1
7	VH526 - Inlet Duct	1
8	VH541 - Seal, Inlet Duct	1

Vacuum System - Hopper Front

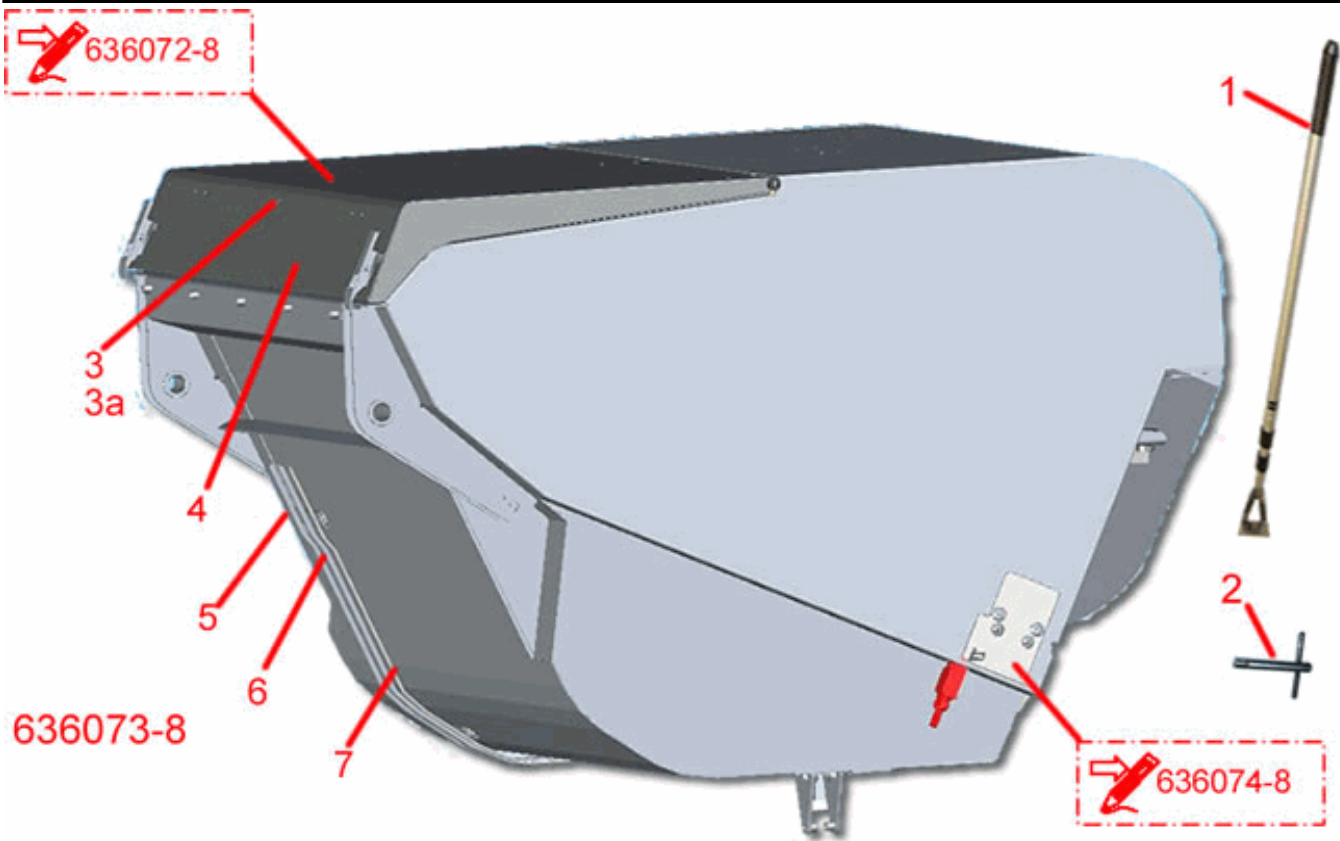
Model: **636HS Green Machine**
 From CIN: 1 To CIN: 999
 Drawing: **636068-8** Rev:



1	GB092 - Bush, Hopper Pivot	4
2	VH626 - Inlet Cover, Front	1
2a	GM475 - Seal, Inlet Cover	1

Vacuum System - Hopper Rear

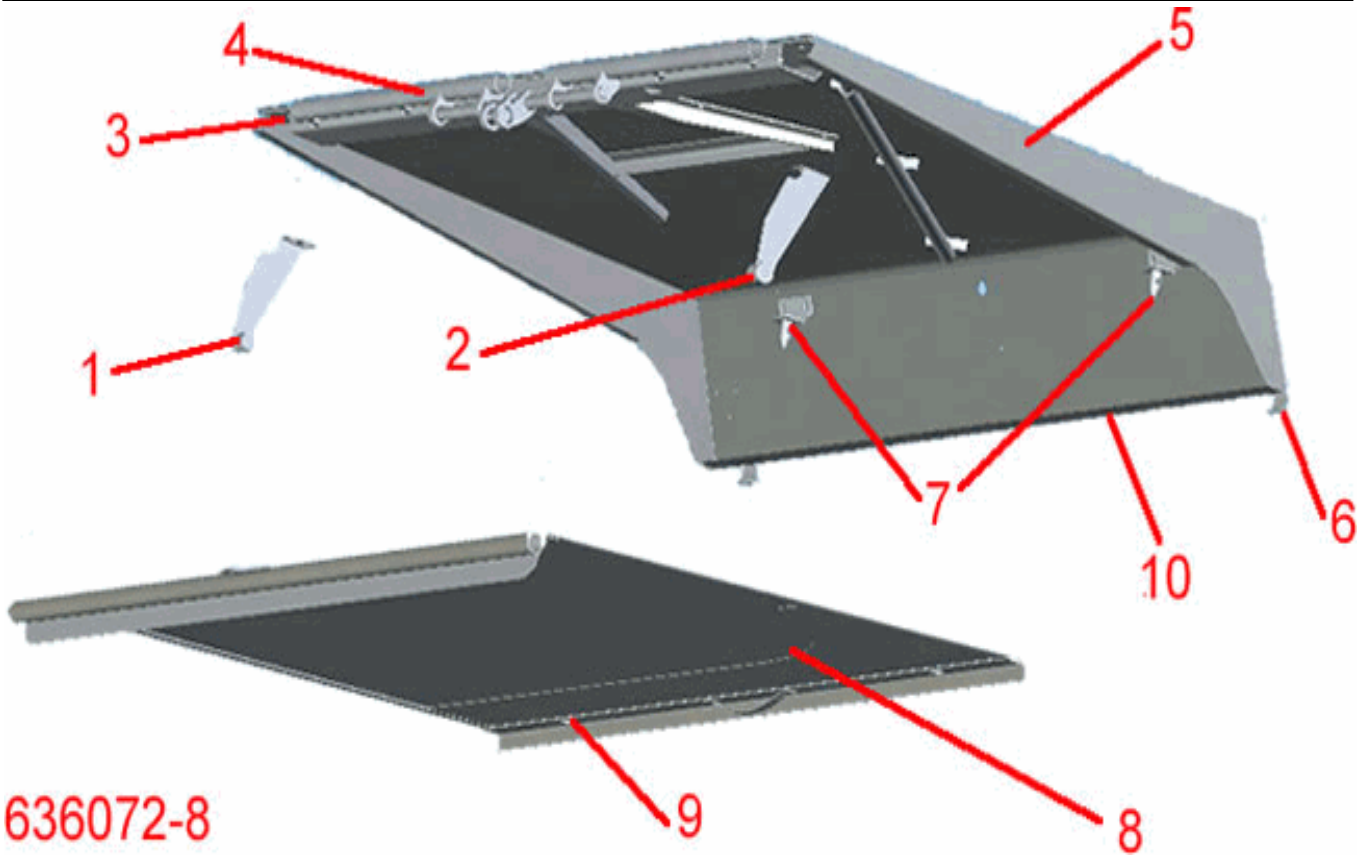
Model: **636HS Green Machine**
 From CIN: 1 To CIN: 999
 Drawing: **636073-8** Rev:



1	CD296 - Hopper Scraper Assembly - 636	1
2	GG287 - Fan Inspection Door Key	1
3	EC021 - Rear View Camera, Low Light	1
3a	EC024 - Cable, Camera - 2.5m	1
4	GM395 - Decal, Chevron - Hopper	1
5	HJ304 - Pipe,12mm-Vacuum Fan Feed	1
6	HJ305 - Pipe,12mm-Vacuum Fan Return	1
7	HJ306 - Pipe,6mm-Vacuum Fan Drain	1

Vacuum System - Hopper Rear Door

Model: **636HS Green Machine**
 From CIN: 1 To CIN: 999
 Drawing: **636072-8** Rev:

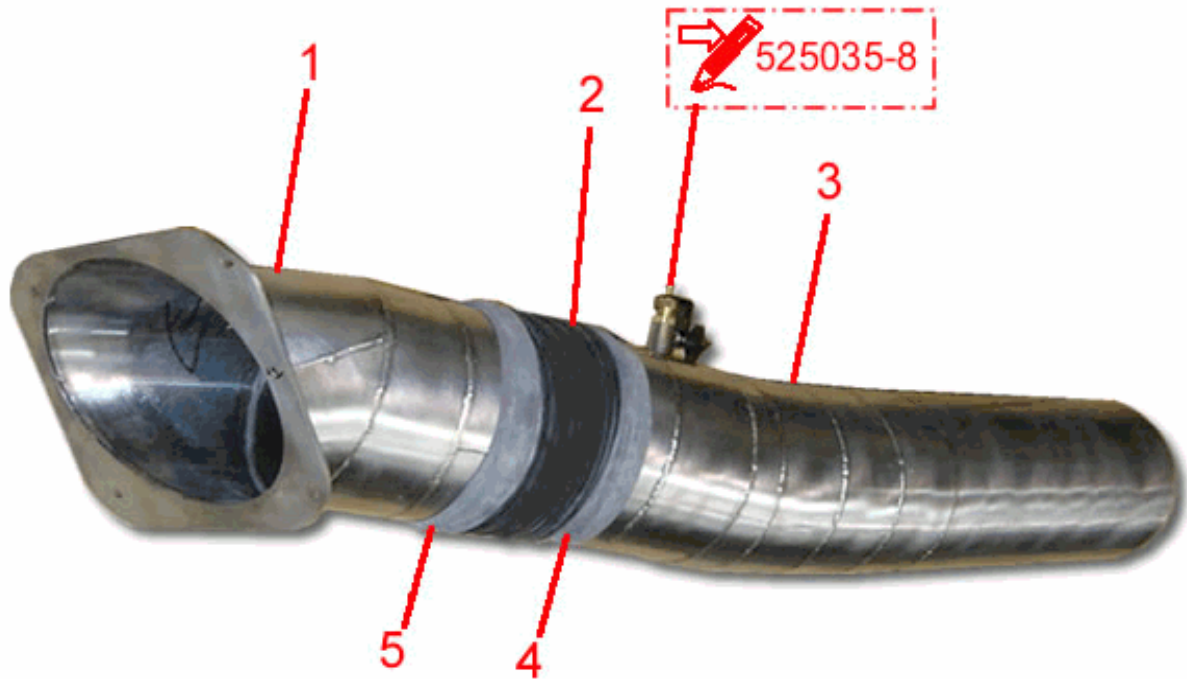


636072-8

1	VH122 - Hinge Plate RH - Rear Door	1
2	VH125 - Hinge Plate LH - Rear Door	1
3	VH104 - Hinge Tube	1
3a	GB093 - Bush	0
4	VH386 - Door Hinge Weldment	1
5	VH613 - Hopper Door	1
6	GG157 - Adjustable Latch	2
7	VH216 - Mounting Plate - Hopper	2
8	VH540 - Rear Mesh Door	1
9	VH181 - Lynch Pin Assembly - Hopper	2
10	GM391 - Hopper Door Seal	1

Vacuum System - Inlet Duct

Model: **636HS Green Machine**
 From CIN: **1** To CIN: **999**
 Drawing: **636067-8** Rev:

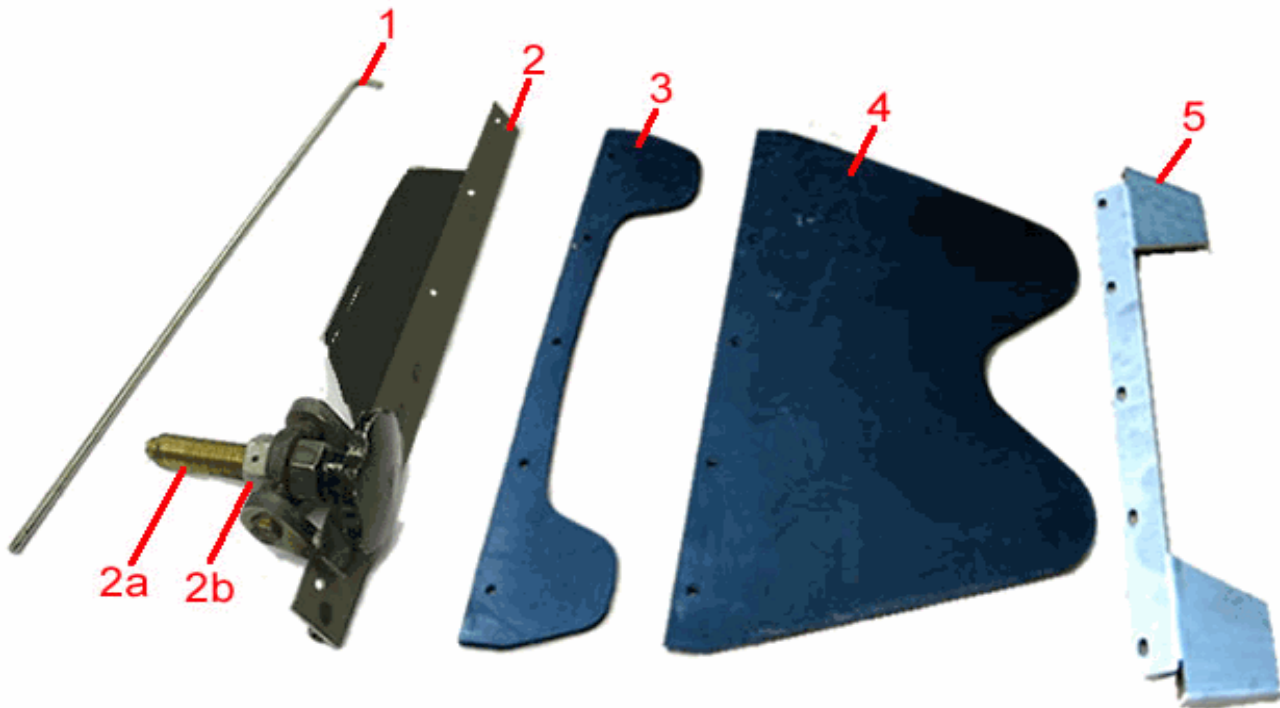


636067-8

1	VH580 - Inlet Duct, Upper	1
2	VT202 - Cuff, Inlet Duct	1
3	VH644 - Inlet Duct, Lower	1
4	GM013 - Rubber band - 8 in. diameter	2
5	GG015 - Hose Clamp (8.5 inch)	2

Vacuum System - Nozzle Flap

Model: **636HS Green Machine**
 From CIN: 1 To CIN: 999
 Drawing: **636066-8** Rev:

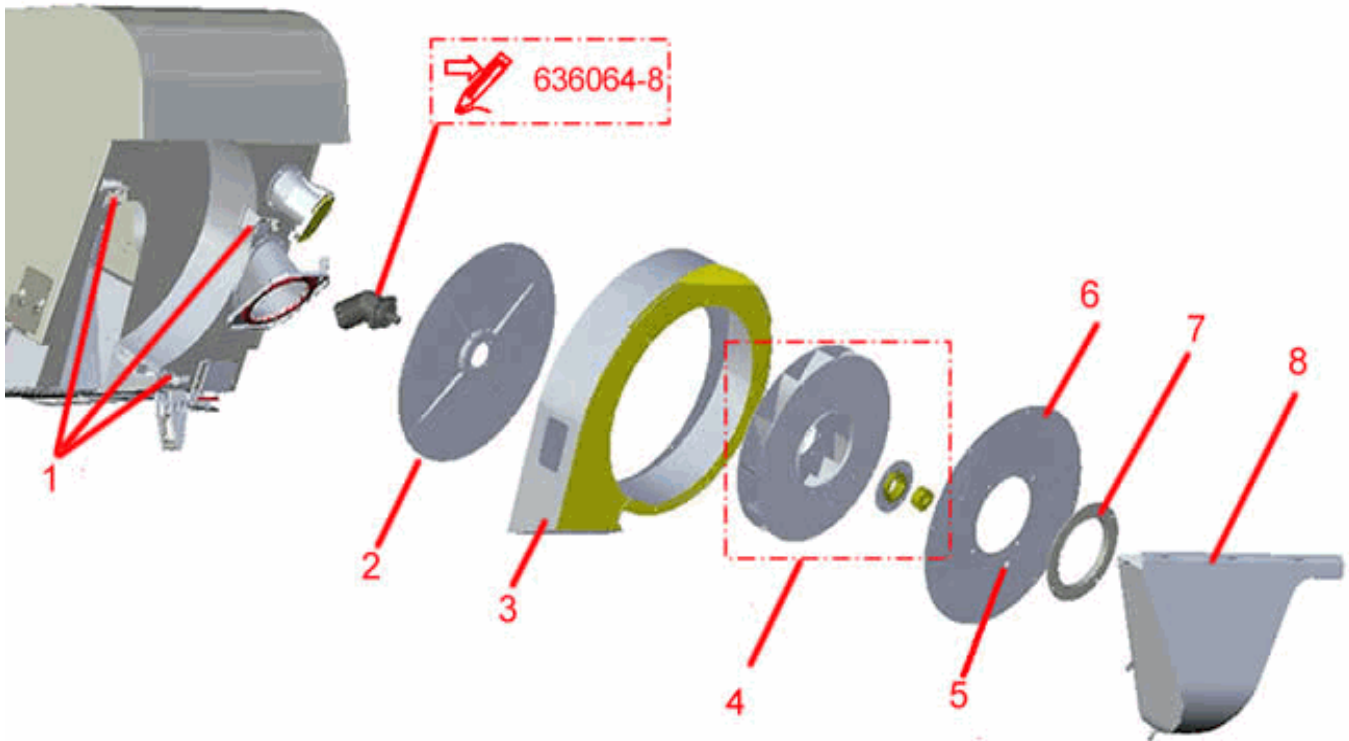


636066-8

1	NA134 - Pin, Nozzle Flap	1
2	NA120 - Flap, Adjustable Nozzle	1
2a	NF045 - Adjuster screw for brush height	1
2b	GN025 - Nut, 3/4" UNF	2
3	NA087 - Backing Strip - Nozzle Flap	1
4	NA117 - Nozzle Flap	1
5	NA135 - Brush Guard	1

Vacuum System-Clean Fan

Model: **636HS Green Machine**
 From CIN: 1 To CIN: 999
 Drawing: **636075-8** Rev:

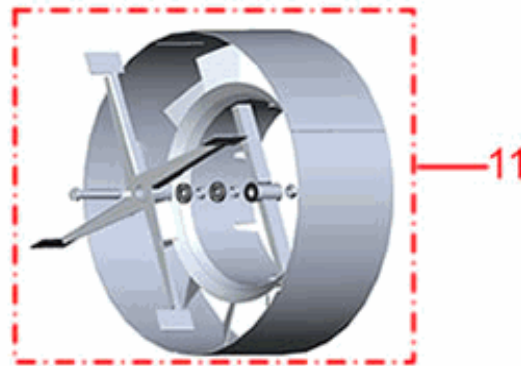
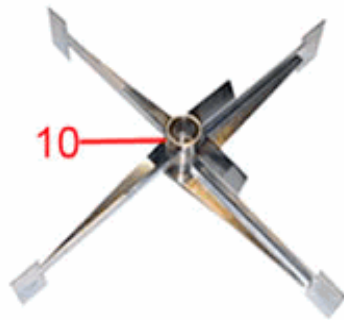
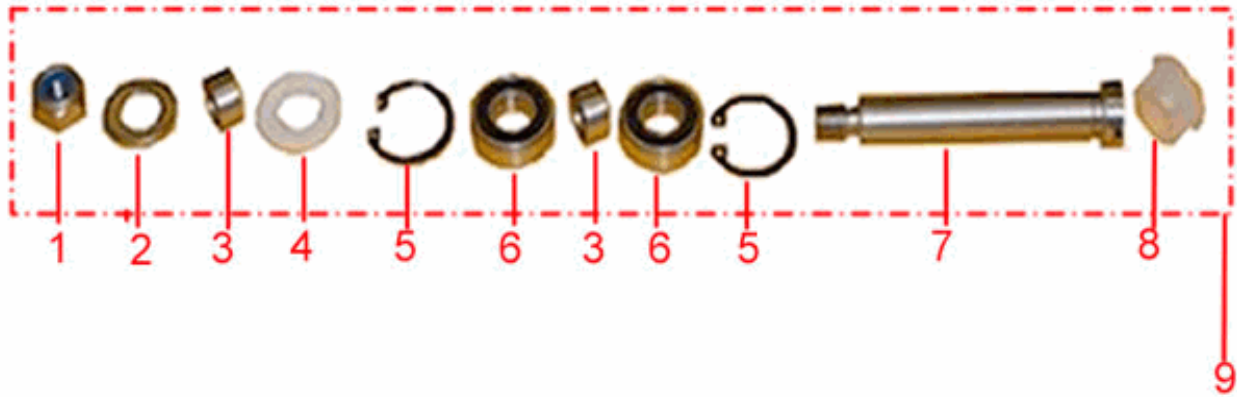


636075-8

1	GG231 - Rubber Anti-Vibration Mount, 2 Piece	3
2	CC362 - Mounting Plate,Fan Motor	1
3	CC356 - Scroll Case,Fan	1
4	VF103 - Clean Fan c/w Mounting Plate and Bush	1
5	ES279 - Vacuum Fan/Eng. Speed Sensor c/w plu	1
6	CC371 - Front Plate,Fan Casing	1
7	CC381 - Inlet Collar,Fan	1
8	VH626 - Inlet Cover, Front	1

Vacuum System-Cyclones

Model: **636HS Green Machine**
 From CIN: 1 To CIN: 999
 Drawing: **636077-8** Rev:

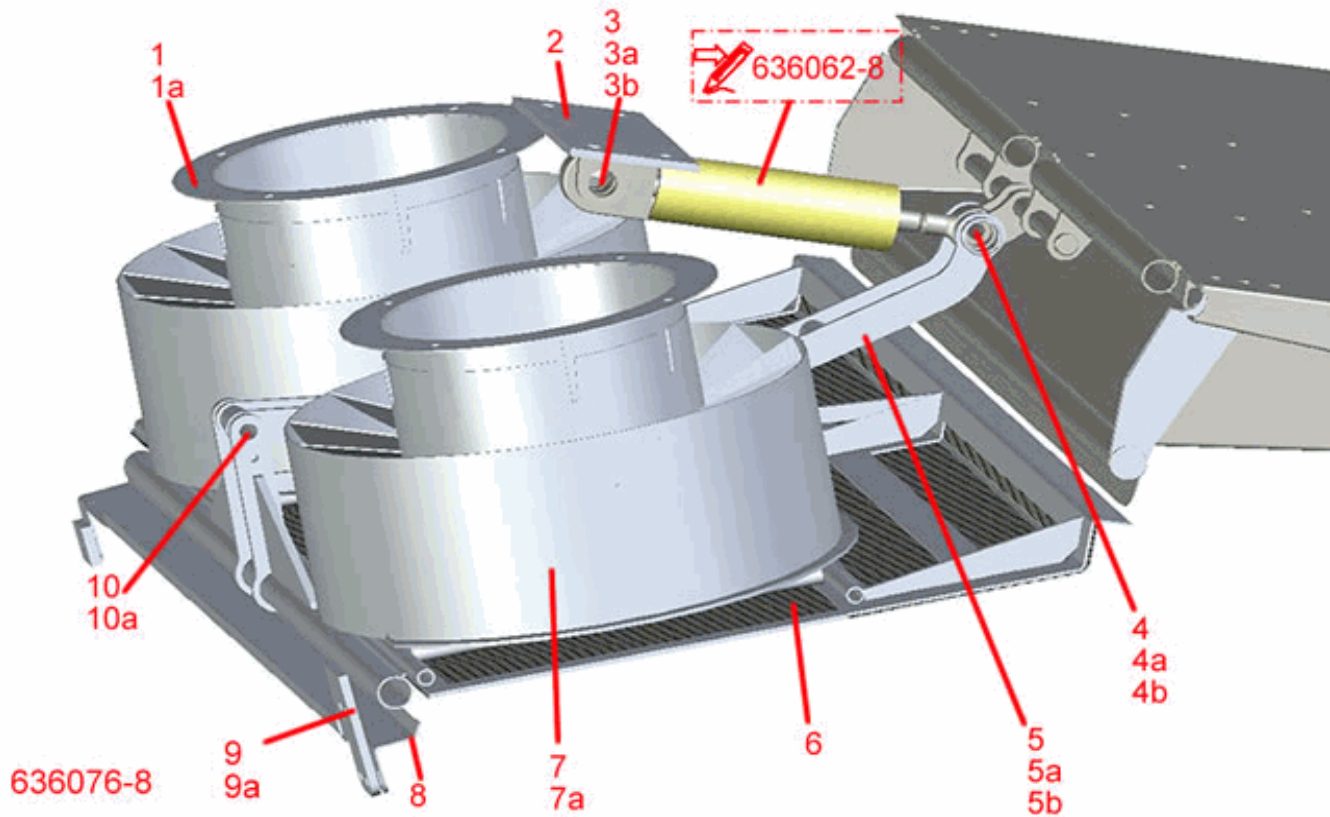


636077-8

1	GN069 - M8 Locknut - Nylon (Stainless Steel)	1
2	GW079 - M10 Washer - Form A (Stainless Steel)	1
3	VH272 - Spinner Spacer (Cyclone)	2
4	GM401 - Felt Washer - 22 O/D x 10.5 I/D	1
5	GG276 - Internal Circlip 22 mm bore	2
6	GB100 - Bearing, Single Row	2
7	VH271 - Spinner Shaft Bearing (Cyclone)	1
8	GM399 - Blanking Plug	1
9	VH373 - Cyclone Spinner Bearing Kit	1
10	VH273 - Cyclone Spinner	1
11	VH274 - Cyclone Assembly Complete	1

Vacuum System-Hopper Linkages

Model: **636HS Green Machine**
 From CIN: **1** To CIN: **999**
 Drawing: **636076-8** Rev:

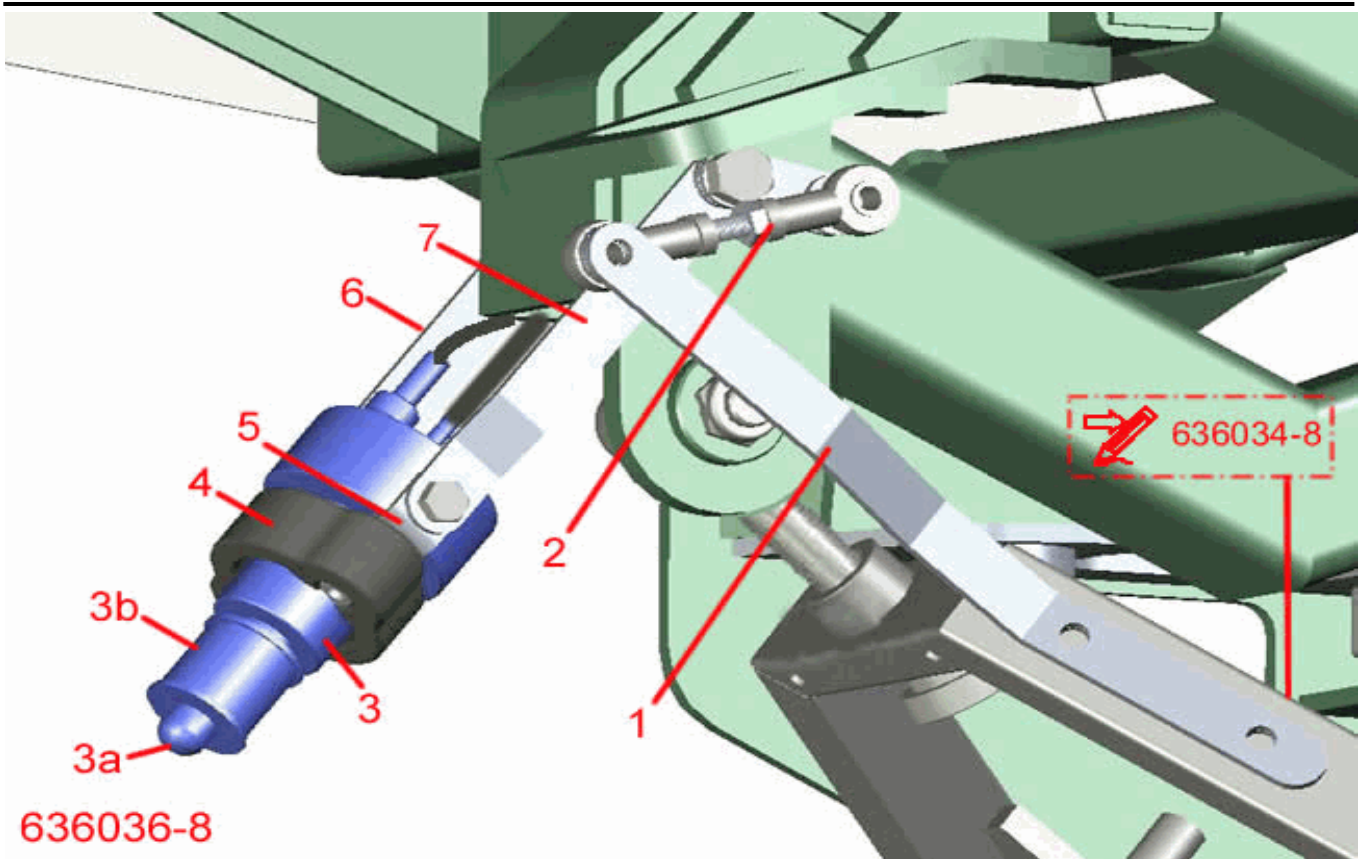


Hopper Body hidden for clarity

1	VH536 - Sleeve,Cyclone	2	9	VH453 - Mesh Door Bracket	1
1a	GG277 - Clamp, Heavy Duty	2	9a	GB093 - Bush	2
2	VH610 - Clevis Plate	1	10	VH251 - Pin, Hydraulic Cylinder	1
3	VH142 - Pin, Door Hydraulic Cylinder	1	10a	GG264 - Split Pin - Stainless Steel (4.0 x 20)	1
3a	GW077 - M20 Washer - Form A (Stainless Steel)	2			
3b	GG272 - Split Pin - Stainless Steel (4.0 x 30)	2			
4	VH253 - Pin, Hydraulic Cylinder	1			
4a	GW077 - M20 Washer - Form A (Stainless Steel)	1			
4b	GG272 - Split Pin - Stainless Steel (4.0 x 30)	1			
5	VH516 - Pivot Arm-Cyclone Mesh Door	1			
5a	GB031 - Bush, Flanged DU - 12 I/D x 14 O/D x	2			
5b	GB099 - Bush, Flanged DU - 20 I/D x 23 O/D x	2			
6	VH410 - Mesh Door,Cyclones	1			
7	VH259 - Hopper Cyclone Body	2			
8	VH639 - Closing Plate,Cyclones	1			

Water System - Cloudmaker

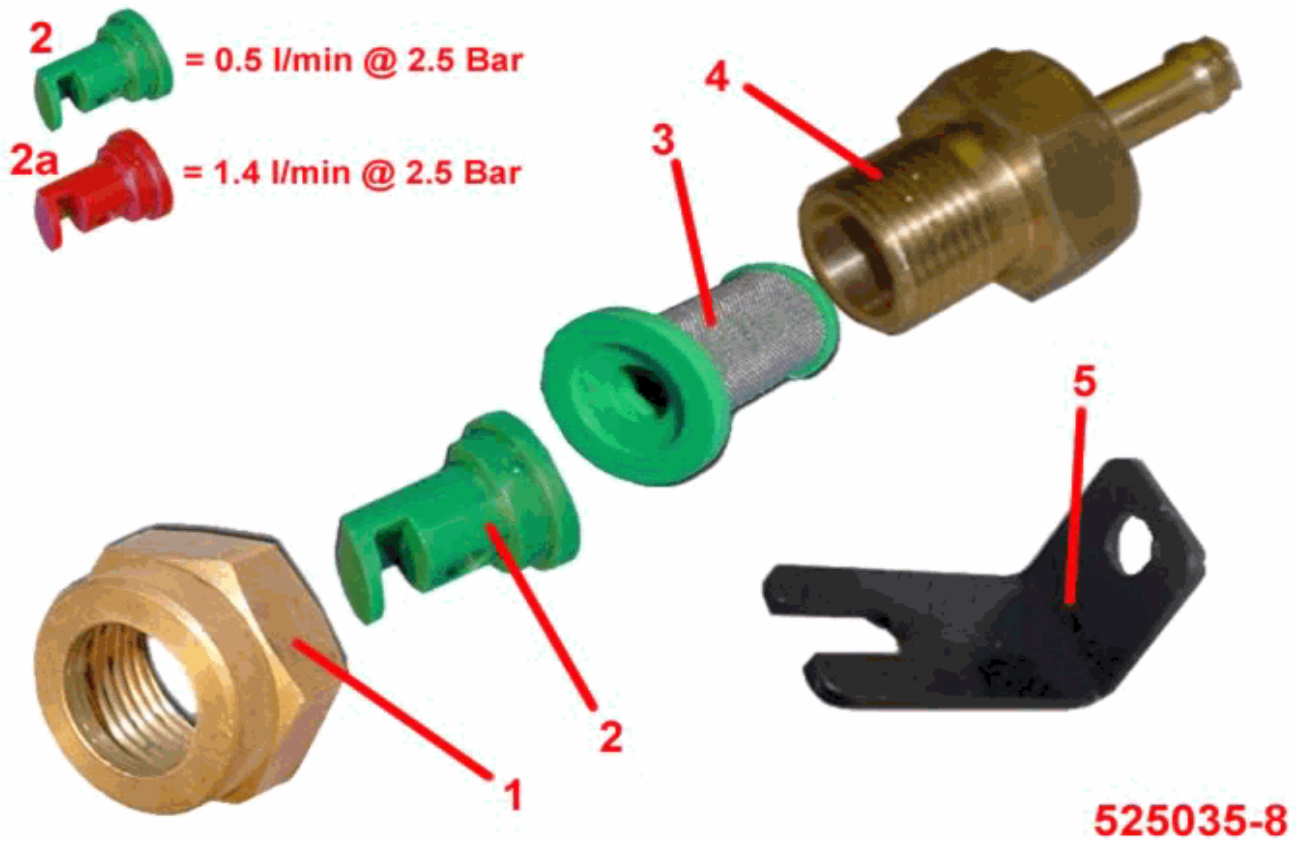
Model: **636HS Green Machine**
 From CIN: **1** To CIN: **999**
 Drawing: **636036-8** Rev:



1	CD244 - CD244 - Link Arm, Nozzle To Cloudmaker	1
2	CD232 - CD232 - Connector Rod, Cloudmaker	1
3	WA269 - Atomising Spray Assembly with plug	1
3a	WA274 - WA274 - Nut, Rotary atomiser	1
3b	WA206 - Bobbin - for spray head atomiser	1
4	WA254 - WA254 - Rubber Isolator, Cloudmaker	1
5	WA250 - WA250 - Fixing Bracket, Cloudmaker	2
6	CD221 - CD221 - Cloudmaker Support Arm	1
7	CD220 - CD220 - Cloudmaker Pivot Arm	1

Water System - Fan Casing Spray

Model: **636HS Green Machine**
 From CIN: 1 To CIN: 999
 Drawing: **525035-8** Rev:

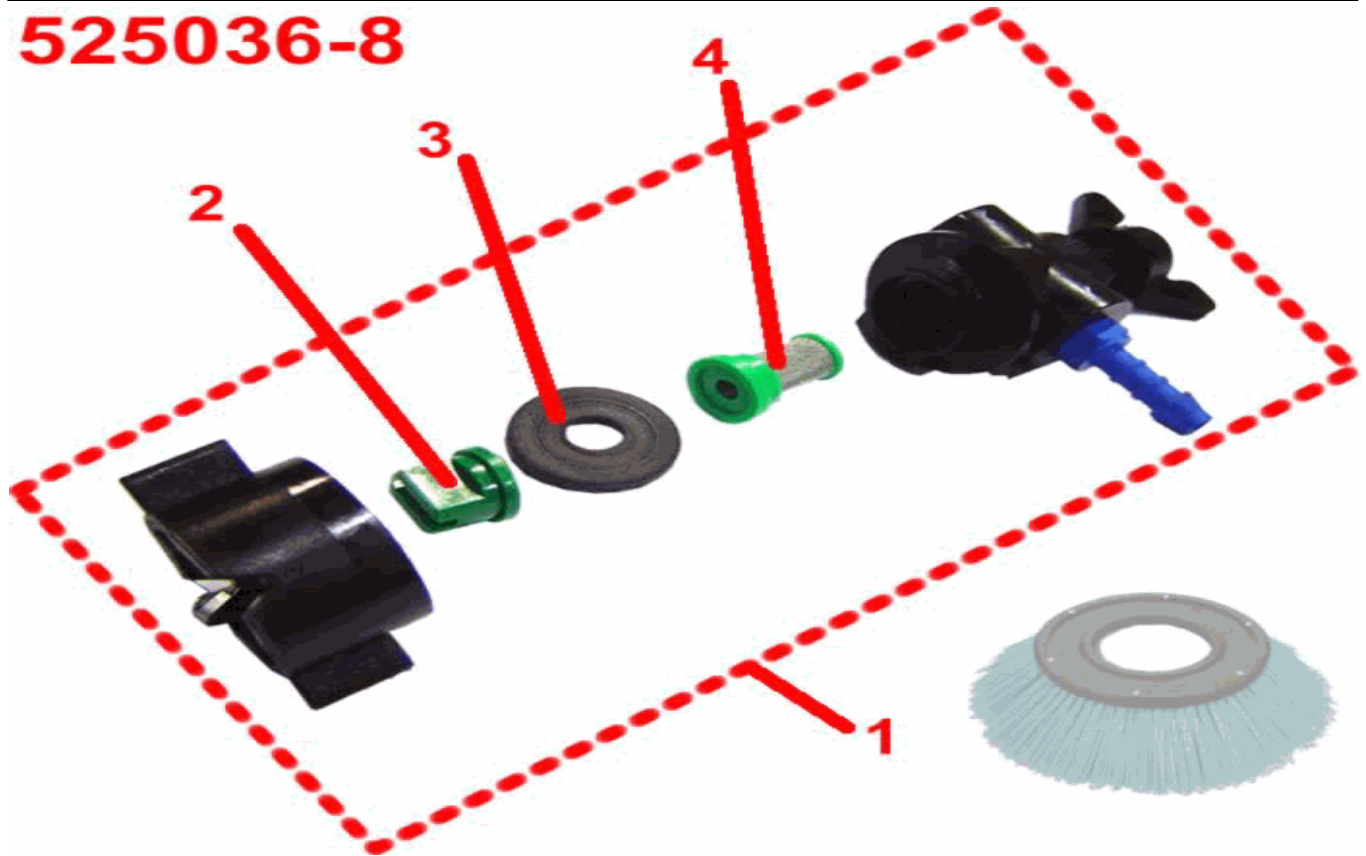


1	WP016 - Cap Nut	1
2	WP060 - Spray Jet - Green	1
2a	WP221 - Spray Jet - Red	1
3	WP020 - Filter with anti-drip valve	1
4	WA103 - Nozzle Holder/Hosetail	1
5	VF075 - Water Nozzle Bracket	1

Water System - Front Brush Sprays

Model: **636HS Green Machine**
 From CIN: **1** To CIN: **999**
 Drawing: **525036-8** Rev:

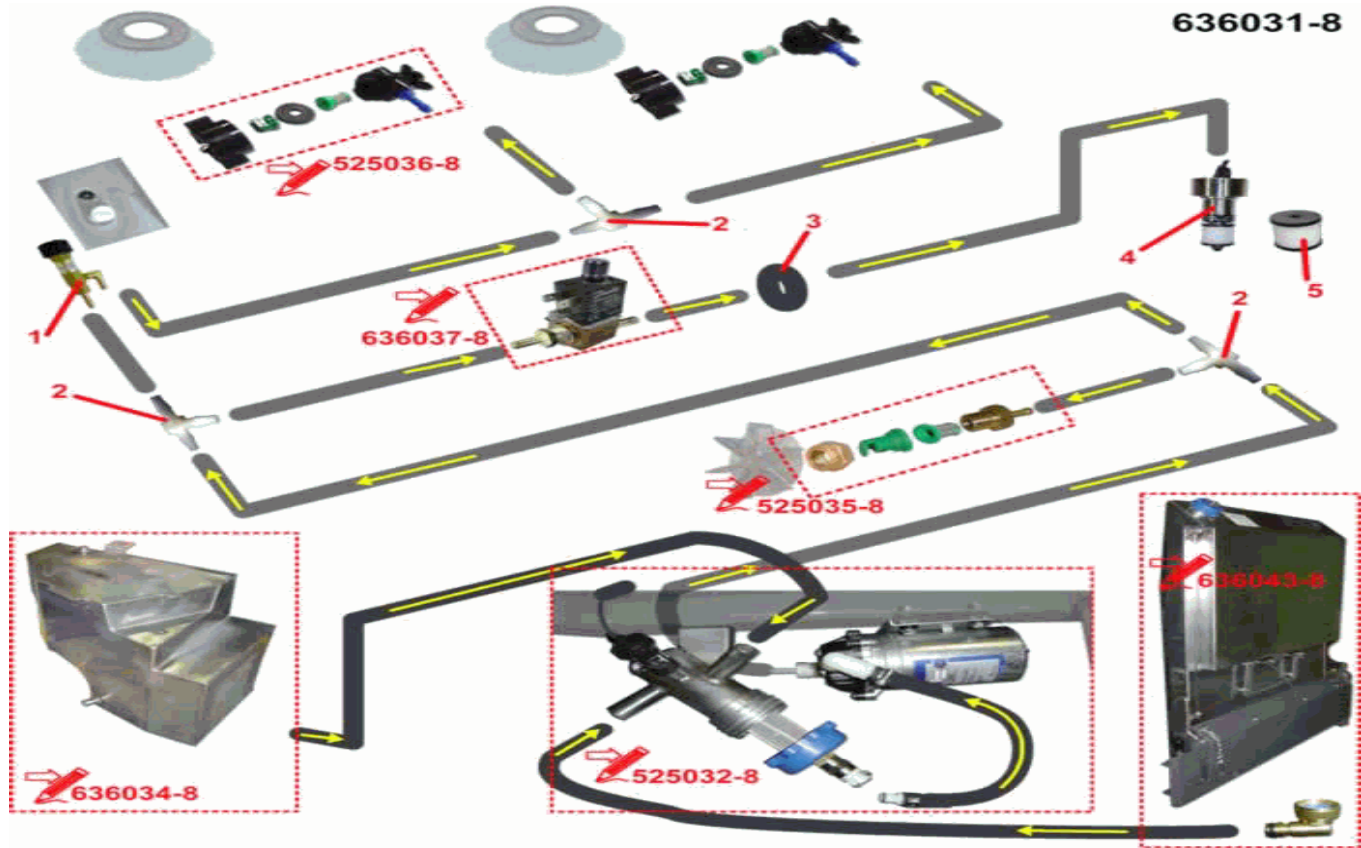
525036-8



1	WP165 - Spray Nozzle Holder Assy (Brushes)	2
2	WP160 - Jet Spray	2
3	WP118 - - Sealing Disc	2
4	WP020 - Filter with anti-drip valve	2

Water System - General Arrangement

Model: **636HS Green Machine**
 From CIN: 1 To CIN: 999
 Drawing: **636031-8** Rev:

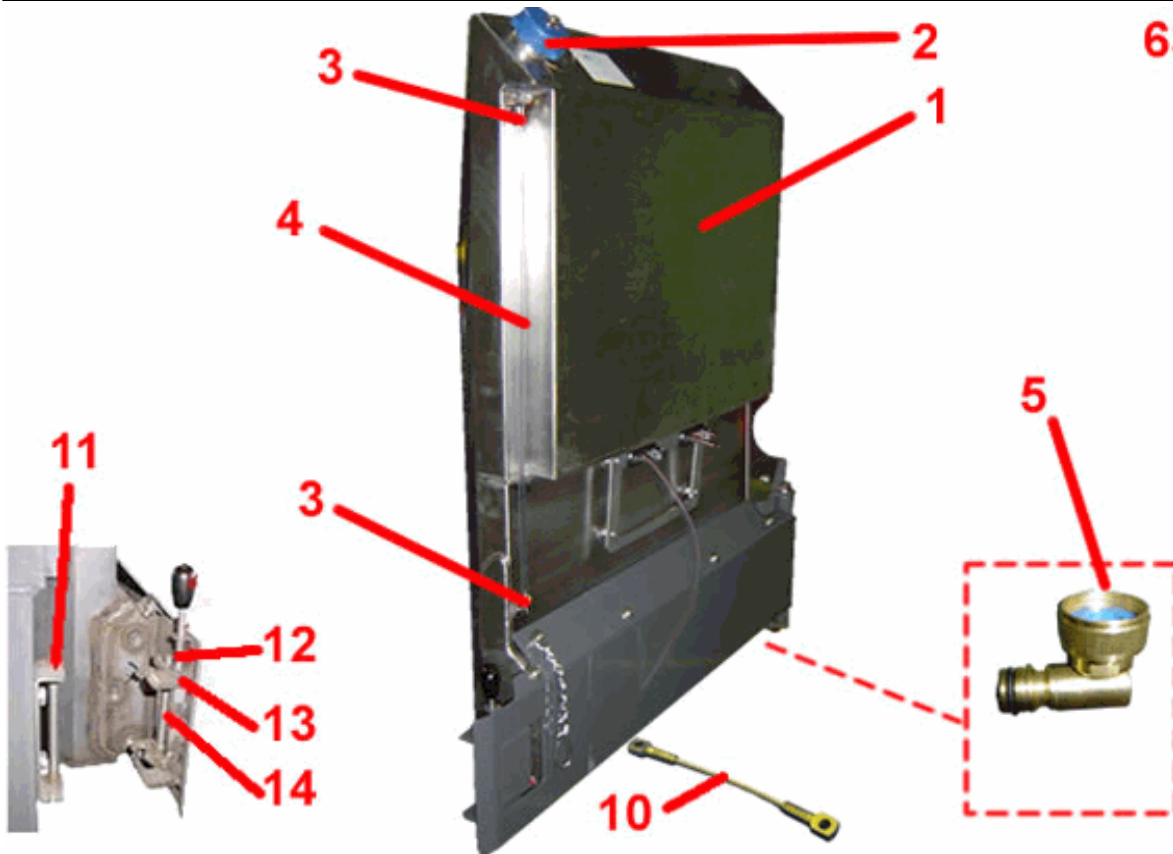


1	WA121 - Needle Valve	1
2	WP005 - Tee Piece 3.16, 3.16, 3.16	3
3	WA268 - Flow Restrictor Assembly	1
4	WA269 - Atomising Spray Assembly with plug	1
5	WA206 - Bobbin - for spray head atomiser	1

Water System - Main Water Tank

Model: **636HS Green Machine**
 From CIN: 1 To CIN: 999
 Drawing: **636043-8** Rev:

636043-8

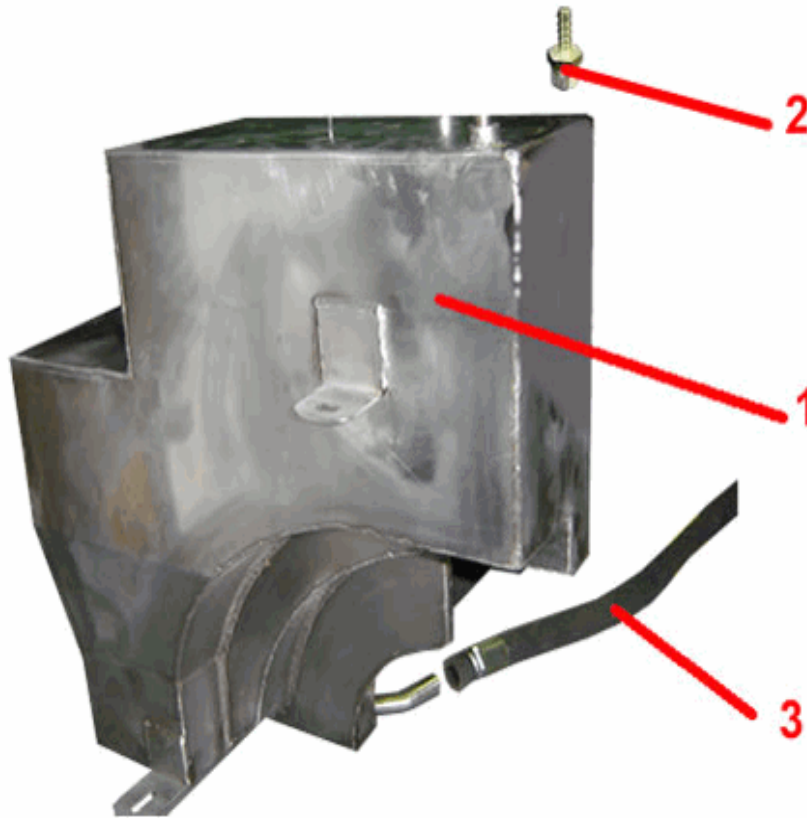


1	WA203 - Main Water Tank c/w Bumper - 636	1
1a	WA275 - Main Water Tank Assembly - 636	1
2	WA138 - Cap, Water Tank	1
3	WP100 - Elbow 1/8	2
4	PC081 - Water Level Tube	1
5	WA202 - Connector, 90 Swivel	1
10	CA032 - Restraining Cable	1
11	CA276 - Locking Pin Assembly	1
12	GG240 - Lever Knob, Black	1
12b	GG239 - Spring	1
13	CB937 - Locking Handle for Water Tank	1
14	CB904 - Locking Handle Pin	1

Water System - Side Water Tank

Model: **636HS Green Machine**
 From CIN: **1** To CIN: **999**
 Drawing: **636034-8** Rev:

636034-8

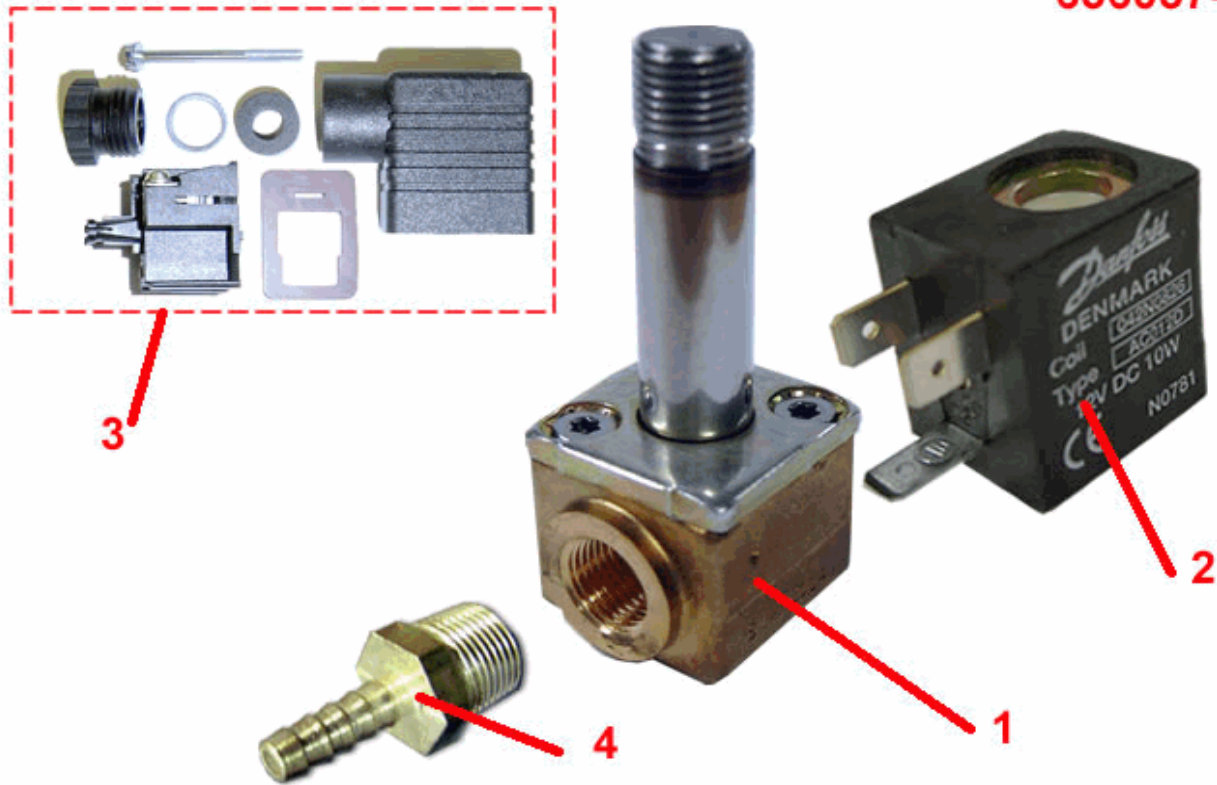


1	WA204 - Side Water Tank - 636	1
2	WP166 - Hose tail - 3/8 BSPT x 1/4" barb	1
3	WA128 - Water Hose, Small Water Tank to Manif	1

Water System - Solenoid Valve for Atomiser

Model: **636HS Green Machine**
 From CIN: **1** To CIN: **999**
 Drawing: **636037-8** Rev:

636037-8

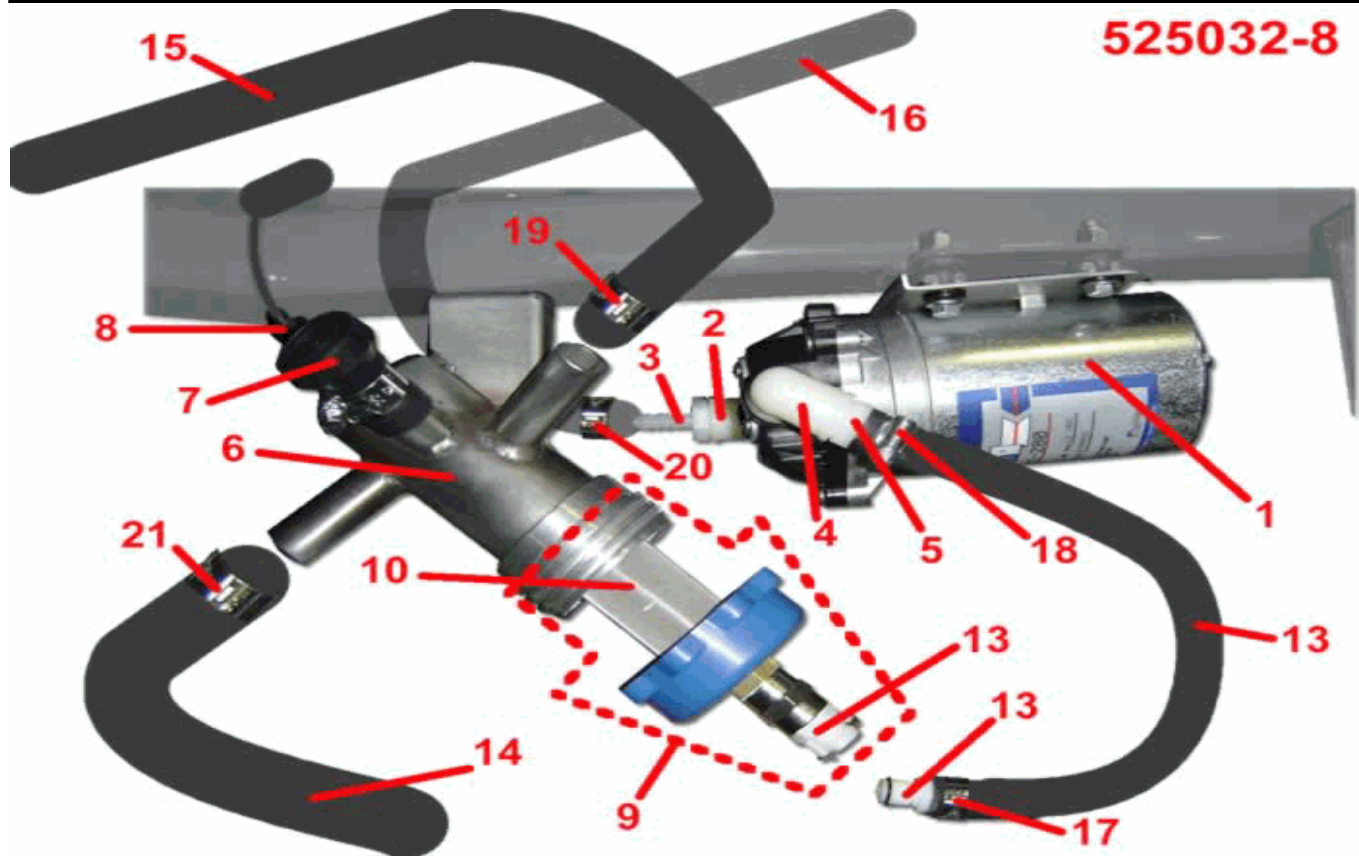


1	WP214 - Solenoid Valve	1
2	WP215 - Coil - Solenoid	1
3	WP216 - Plug - Solenoid Valve	1
4	WP217 - Hose Tail, 1/8	1

Water System - Water pump and manifold

Model: **636HS Green Machine**
 From CIN: 1 To CIN: 999
 Drawing: **525032-8** Rev:

525032-8



1	WP169 - Water Pump c/w Connector	1	20	GG045 - Hose Clamp (16mm)	1
2	WP112 - Elbow - 3/8 male - 3/8 female	1	21	GG051 - Hose Clamp (22mm to 30mm)	1
3	WP163 - Nylon Hosetail 3/8 BSP x 1/4	1			
4	WP112 - Elbow - 3/8 male - 3/8 female	1			
5	WP164 - Nylon Hosetail 3/8 BSP x 3/8	1			
6	WA107 - Manifold - Water Filter Assembly	1			
7	GM400 - End Cap, Water Manifold	1			
8	ES289 - Water Level Sensor c/w plug	1			
9	WA130 - Strainer/Cap Assembly	1			
10	WA041 - Strainer - Drain Cap	1			
13	WA120 - Hose Assy. Water Manifold to Pump	1			
14	WA127 - Water Hose - Large Water Tank/Manifol	1			
15	WA128 - Water Hose, Small Water Tank to Manif	1			
16	WA004 - Black Water Hose	0			
17	GG045 - Hose Clamp (16mm)	1			
18	GG045 - Hose Clamp (16mm)	1			
19	GG051 - Hose Clamp (22mm to 30mm)	1			

